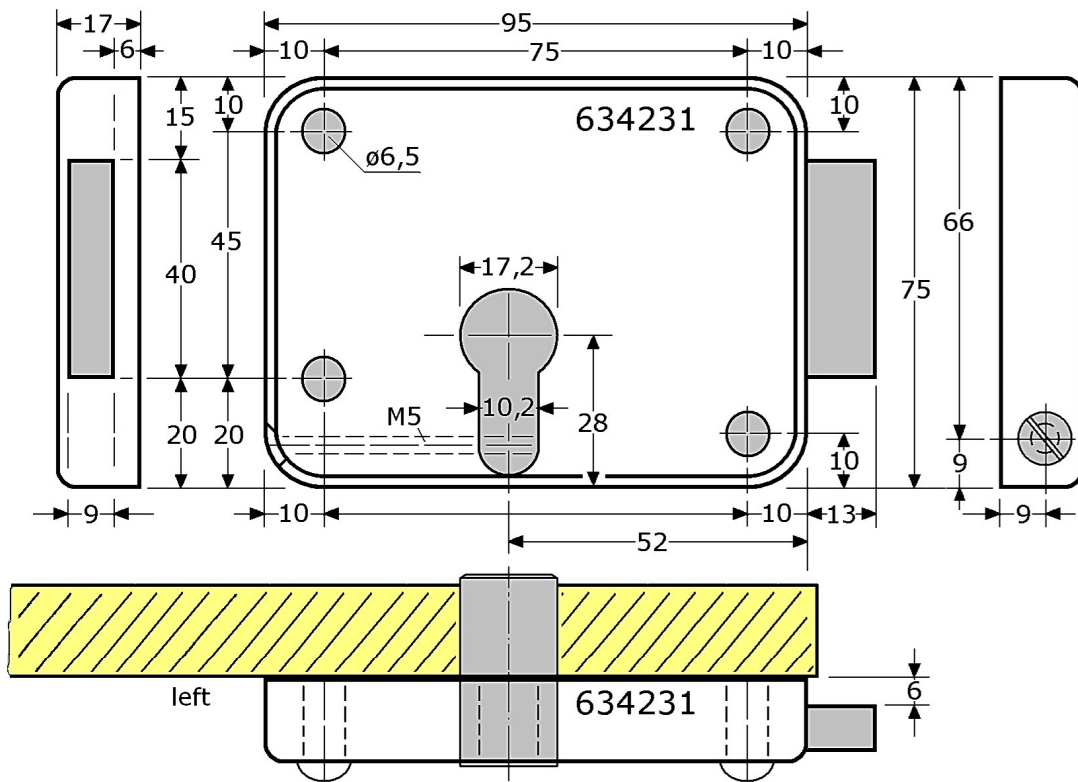


PIWAX HEAVY DUTY DOOR LOCK, stainless steel

heavy duty stainless steel rim lock for standard 17mm profile cylinder
 for universal use for every door thickness, also for (thick) isolated doors
 this lock can be integrated in every key scheme
 as head lock, extra lock or lock for privacy use (with cylinder 692499)

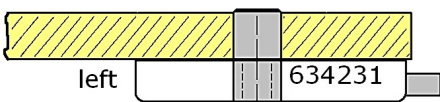
attention:
 look out
 LEFT or RIGHT
 !!!!



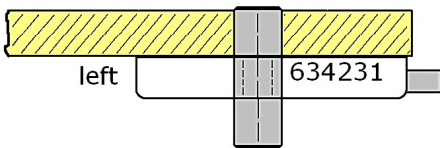
634231 PIWAX rim lock, left (as drawing)
 stainless steel 304/A2, case 75x95x17mm
 for standard 17mm cylinder (to order separately)
 with stainless steel cylinder screw M5x70



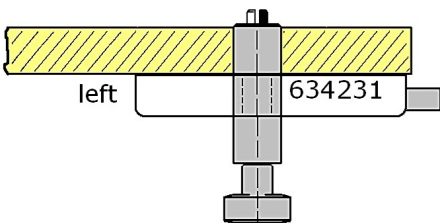
634232 PIWAX rim lock, right
 stainless steel 304/A2, case 75x95x17mm
 for standard 17mm cylinder (to order separately)
 with stainless steel cylinder screw M5x70



* can be used with single profile cylinder (see page GF-694):
 - with shortest cylinder (27+9=36mm) : door thickness 18mm
 - with longest cylinder (77+9mm) : door thickness 68mm



* can be used with double profile cylinder (see page GF-694):
 - with shortest cylinder (21,5+21,5=43) : door thickn. 12,5mm
 - with longest cylinder (31+75mm) : door thickness 66mm

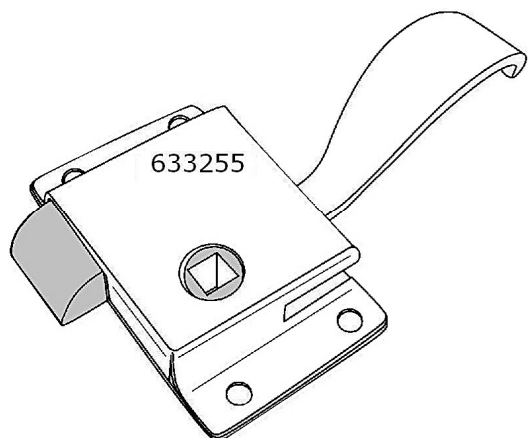


* can be used with double cylinder with knob (see page GF-695):
 - with shortest cylinder (27+27=54mm) : door thickness 18mm
 - with longest cylinder (27+41mm) : door thickness 32mm

* can be used with privacy cylinder with knob+red/white:
 - with cylinder 692499 (30,5+30,5=61) : door thickn. 21,5mm
 (see page GF-695)

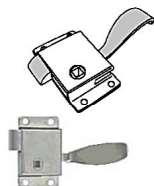


PIMEX B.V.
 Coenecoop 131
 2741 PJ WADDINXVEEN (NL)
 Tel. (31) 182 - 61 11 66
 Email: info@pimex.nl



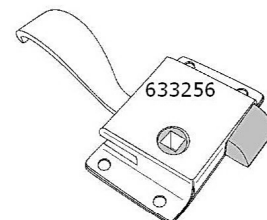
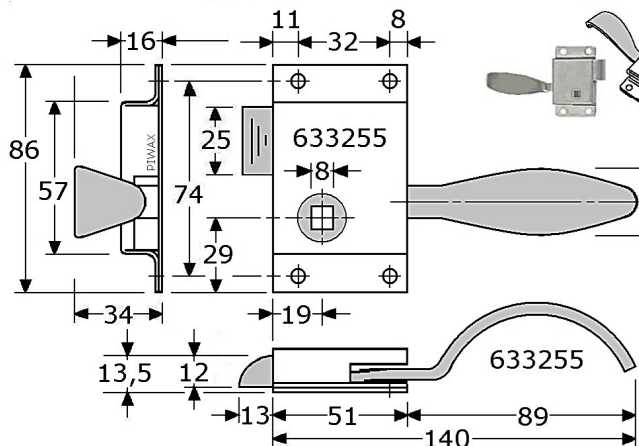
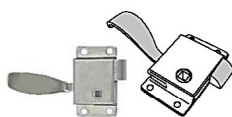
633255

PIWAX rim lock, left (as drawing)
 stainless steel 304/A2
 with stainless steel handle, not polished
 with stainless steel hub #8mm, backset 19mm
 solid stainless steel latch bolt, extension 13mm
 thickness latch bolt 1-12mm, stand not changable
 case 86x51x16mm, spring loaded
 for use by #8mm or use by the handle
 with 4 screwholes $\varnothing 6$ mm
 in boxes of 10 Pcs.



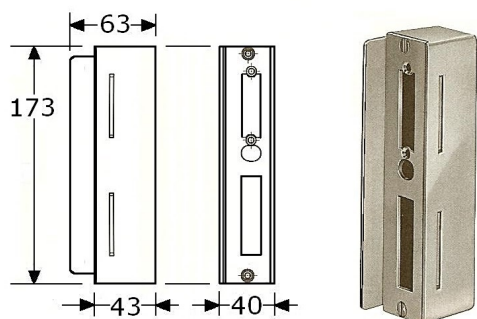
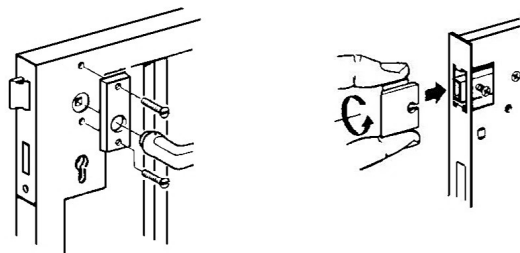
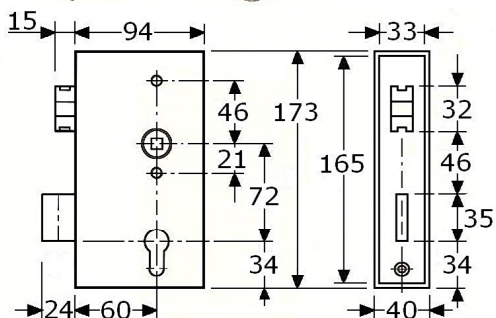
633256

PIWAX rim lock, right
 stainless steel 304/A2
 with stainless steel handle, not polished
 with stainless steel hub #8mm, backset 19mm
 solid stainless steel latch bolt, extension 13mm
 thickness latch bolt 1-12mm, stand not changable
 case 86x51x16mm, spring loaded
 for use by #8mm or use by the handle
 with 4 screwholes $\varnothing 6$ mm
 in boxes of 10 Pcs.



631263

lock box stainless steel 304/A2 satin polished
 with STEEL mortise door lock PC-72
 box 173x94x40mm for welding
 for standard 17mm cylinder (to order separately)
 distance keyhole 72mm, backset 60mm
 brass latch bolt, easy reversible LH/RH
 with latch lever (latch bolt can be served by cylinder)
 brass dead bolt 35x8mm
 2 turns, extension 12/24mm, for #8mm spindle
 with front plate stainless steel 304/A2 165x33x3mm
 (cylinder+handle+striking box to order separately)

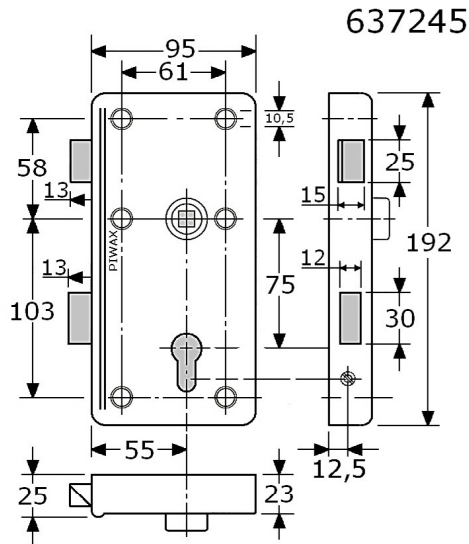


631298

striking box (for use with lock box 631263)
 stainless steel 304/A2 satin polished
 box 173x43/63x40mm for welding
 with front plate stainless steel 304/A2 173x35x3mm
 for left and right use
 with 2 holes $\varnothing 12$ mm (back side)



PIMEX B.V.
 Coenecoop 131
 2741 PJ WADDINXVEEN (NL)
 Tel. (31) 182 - 61 11 66
 Email: info@pimex.nl



637245

PIWAX rim lock for LH left doors - outwards
 stainless steel 304/A2 satin (as showed)
 for standard 17mm cylinder (to order separately)
 distance keyhole 75mm, backset 55mm
 case stainless steel 304/A2 192x95x23/25mm
 stainless steel 304/A2 day latch bolt (out of 1 piece)
 without latch lever (latch bolt not served by cylinder)
 stainless steel 304/A2 dead bolt 30x12mm
 1 turn, extension 12mm, for #9mm spindle
 with stainless steel bearing (inside \varnothing 17,5mm)
 with 6 brass mounting holes \varnothing 10,5mm
 (cylinder+handle+striking plate to order separately)

637246

like lock 637245, but for RH right doors - outwards

637247

like lock 637245, but for LH left doors - inwards

637248

like lock 637245, but for RH right doors - inwards

<p>637245 = lock for LH left doors - outwards (lock NOT at the same side as hinges)</p>	<p>637246 = lock for RH right doors - outwards (lock NOT at the same side as hinges)</p>
<p>637247 = lock for LH left doors - inwards (lock at the same side as hinges)</p>	<p>637248 = lock for RH right doors - inwards (lock at the same side as hinges)</p>



832112

door lever handles #9x9mm for rim lock
 stainless steel 304/A2 mirror polished
 highness 70mm, with handles length 115mm
 with loose brass busch, for door thickness 20-45mm

832114

door lever handles #9x9mm for rim lock
 stainless steel 304/A2 mirror polished
 highness 70mm, with handles length 115mm
 with loose brass busch, for door thickness 25-53mm

832144

door handle plate 230x40x6mm, rounded
 stainless steel 304/A2 mirror polished
 for distance key hole 75mm
 for door lever handle 832112/832114
 with 2x countersunk screwholes c.t.c. 190mm

for profile cylinder,
 see page GF-694

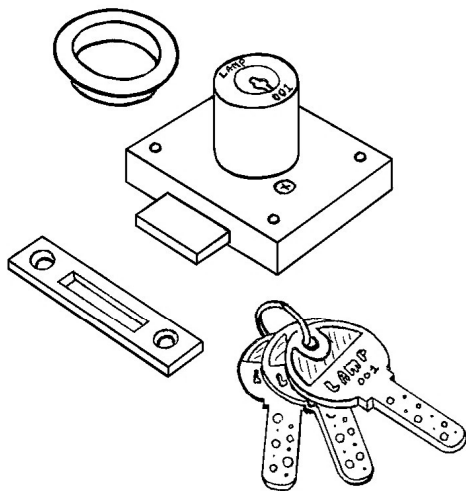
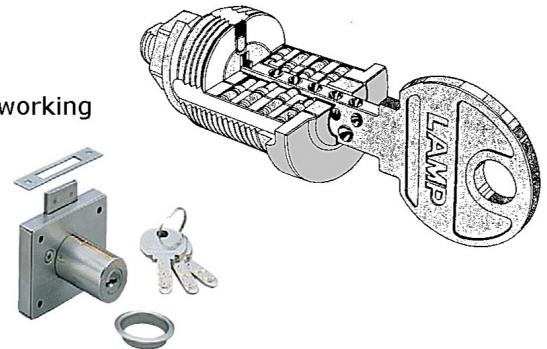


PIMEX B.V.
 Coenecoop 131
 2741 PJ WADDINXVEEN (NL)
 Tel. (31) 182 - 61 11 66
 Email: info@pimex.nl

RIM LOCK, stainless steel

cabinet locks out of stainless steel 304/A2, first quality
 case + dead bolt + inside parts: all stainless steel
 flat striking plate stainless steel 304/A2 55x12mm
 brass satin nickel plated cylinder ø22mm, brass nickel plated rose ø30mm

- with security cylinder with million key combination
 - pin tumblers: standard with 10 pin tumblers (locks for master key are with 15 pin tumblers)
 - pin tumblers & springs are out of stainless steel
 - each lock with 3 brass nickel plated hi-tech keys "with holes"
 - keys reversible, no upper side or under side: always directly good working
 - key number on front cylinder and on every key
 - rounded comfortable key (not sharp), hard to duplicate
 - all locks will be delivered in stand right, cylinder can be changed to stand left, but the turning of the key will not be changed
- in boxes of 12 Pcs. with stainless steel screws



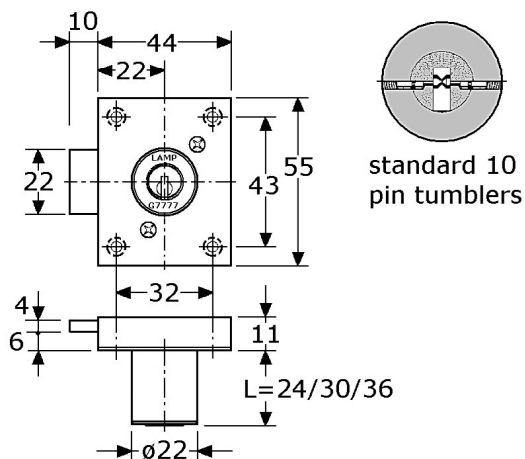
657240 dead locks stainless steel, with cylinder L=24mm with each 3 brass nickel keys, key different

657241 dead locks stainless steel, with cylinder L=24mm with each 3 brass nickel keys, key alike (G-1001)

657242 dead locks stainless steel, with cylinder L=24mm with each 3 brass nickel keys, key alike (G-5034)

657244 dead locks stainless steel, with cylinder L=24mm double: in groups of 2 same key alike total 3+3=6 brass nickel keys (in boxes of 2 Pcs.)

657446 dead locks stainless steel, with cylinder L=24mm for (grand) master key according your key schedule key different and/or key alike
 special production: delivery time 12-16 weeks



657250 dead locks stainless steel, with cylinder L=30mm with each 3 brass nickel keys, key different

657251 dead locks stainless steel, with cylinder L=30mm with each 3 brass nickel keys, key alike (G-1002)

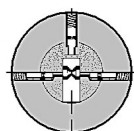
657456 dead locks stainless steel, with cylinder L=30mm for (grand) master key according your key schedule key different and/or key alike
 special production: delivery time 12-16 weeks

657260 dead locks stainless steel, with cylinder L=36mm with each 3 brass nickel keys, key different

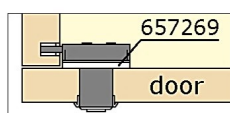
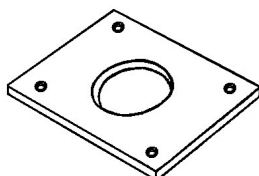
657261 dead locks stainless steel, with cylinder L=36mm with each 3 brass nickel keys, key alike (G-6043)

657262 dead locks stainless steel, with cylinder L=36mm with each 3 brass nickel keys, key alike (G-4006)

for master key with 15 pin tumblers



657466 dead locks stainless steel, with cylinder L=36mm for (grand) master key according your key schedule key different and/or key alike
 special production: delivery time 12-16 weeks



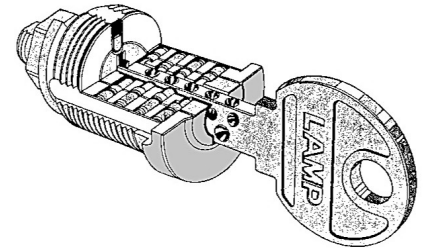
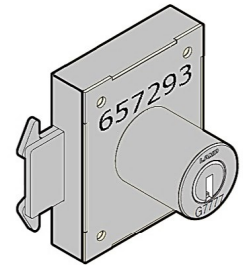
657269 distance plate white plastic 55x44x2mm for mounting over the cylinder ø22mm with 1x the max. doorthickness will be reduced 2mm

RIM LOCK, stainless steel

cabinet locks out of stainless steel 304/A2, first quality case & inside parts all stainless steel 304/A2
 deadbolt stainless steel with stainless steel double wings for use for single sliding doors (and normal cabinet doors)
 extension 12/13mm, wings will be activated after 7mm
 flat rounded striking plate stainless steel 304/A2 68x12mm
 brass satin nickel plated cylinder $\varnothing 22$ mm, brass nickel plated rose $\varnothing 30$ mm

- with security cylinder with million key combination
- pin tumblers: standard with 10 pin tumblers (locks for master key are with 15 pin tumblers)
- pin tumblers & springs are out of stainless steel
- each lock with 3 brass nickel plated hi-tech keys "with holes"
- keys reversible, no upper side or under side: always directly good working
- key number on front cylinder and on every key
- rounded comfortable key (not sharp), hard to duplicate
- locks are not changeable left/right

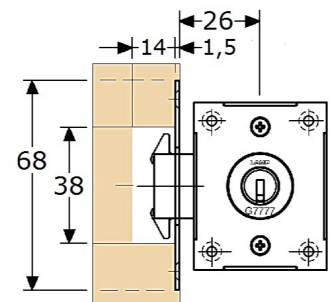
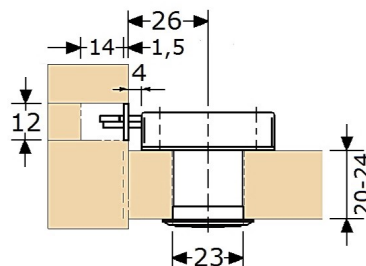
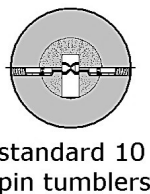
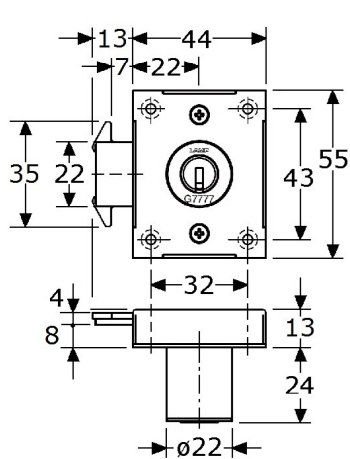
in boxes of 1 Pcs. with stainless steel screws



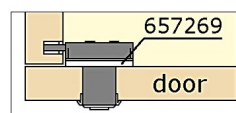
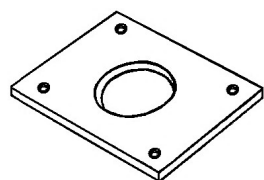
657293 dead locks stainless steel, with cylinder L=24mm, LH with each 3 brass nickel keys, key different
 bolt stainless steel with double stainless steel wings
 open: the deadbolt is full in the case
 close: turn the key counter clockwise, the deadbolt will be coming out to the LEFT side



657294 dead locks stainless steel, with cylinder L=24mm, RH with each 3 brass nickel keys, key different
 bolt stainless steel with double stainless steel wings
 open: the deadbolt is full in the case
 close: turn the key counter clockwise, the deadbolt will be coming out to the RIGHT side



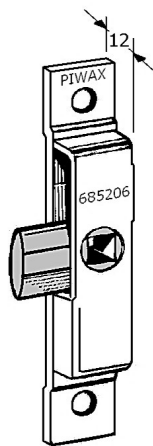
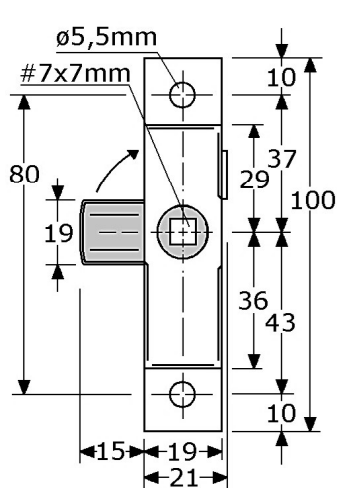
also possible on request:
 - with cylinder length 24mm, but key alike
 - for (grand) master key, delivery time 12 weeks



657269 distance plate white plastic 55x44x2mm for mounting over the cylinder $\varnothing 22$ mm with 1x the max. doorthickness will be reduced 2mm

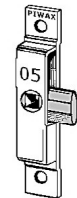


PIMEX B.V.
 Coenecoop 131
 2741 PJ WADDINXVEEN (NL)
 Tel. (31) 182 - 61 11 66
 Email: info@pimex.nl



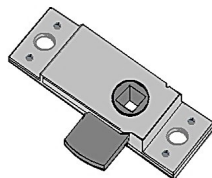
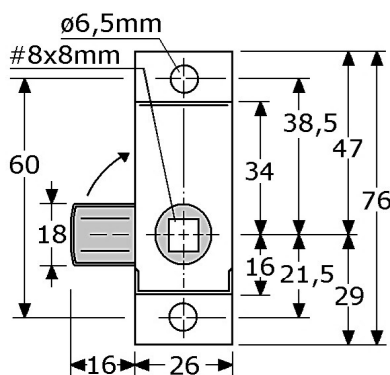
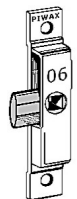
685205

PIWAX latches 100x19mm stainless steel 304/A2, with hub #7x7mm with conical solid casting stainless steel bolt extension 15mm, turns only 90° to 1 side = LEFT case thickness 12mm, bolt thickness 5,5mm with 2 screwholes ø5,5mm (centre-centre 80mm) in boxes of 25 Pcs.



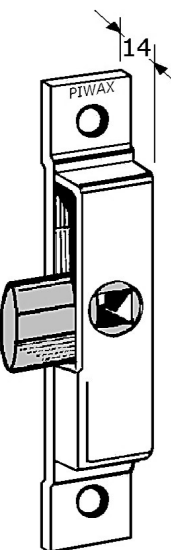
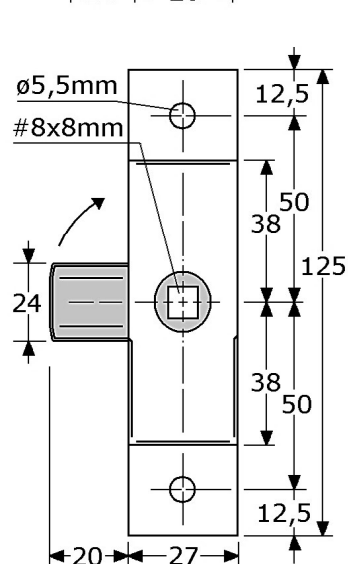
685206

PIWAX latches 100x19mm stainless steel 304/A2, with hub #7x7mm with conical solid casting stainless steel bolt extension 15mm, turns only 90° to 1 side = RIGHT case thickness 12mm, bolt thickness 5,5mm with 2 screwholes ø5,5mm (centre-centre 80mm) in boxes of 25 Pcs.



685224

PIWAX latches 76x26mm stainless steel 316/A4, with hub #8x8mm with conical solid casting stainless steel 316/A4 bolt extension 16mm, turns 90° to both sides (LH/RH) small case thickness 9,5mm, ultra flat bolt thickness 4,5mm with 2 screwholes ø6,5mm (centre-centre 60mm) in boxes of 25 Pcs.



685214

PIWAX latches 125x27mm stainless steel 304/A2, with hub #8x8mm with conical solid casting stainless steel bolt extension 20mm, turns 90° to both sides (LH/RH) case thickness 14mm, bolt thickness 7,5mm with 2 screwholes ø5,5mm (centre-centre 100mm) in boxes of 25 Pcs.



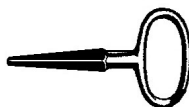
685127

square key, hook type 40+60mm stainless steel 316/A4 for #7x7mm (not-conical)



685109

square key with big eye, total length 90mm steel nickel plated conical, for #4x4mm till #9x9mm



685112

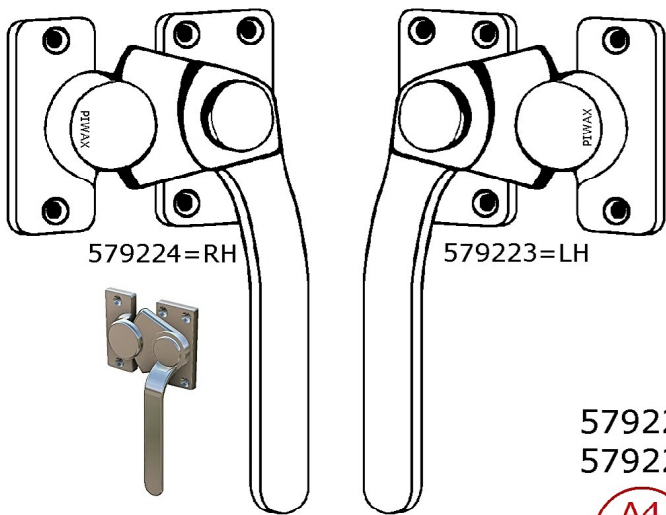
square "T"-key, long type, total length 125mm steel nickel plated conical, for #6x6mm till #9x9mm



for stainless steel door handle and flush door handle, see pages GY-681a/b and GY-683a/b/c/d



PIWAX B.V.
Coenecoop 131
2741 PJ WADDINXVEEN (NL)
Tel. (31) 182 - 61 11 66
Email: info@pimex.nl

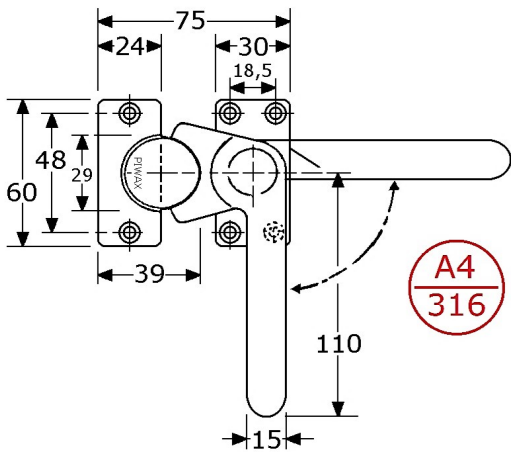
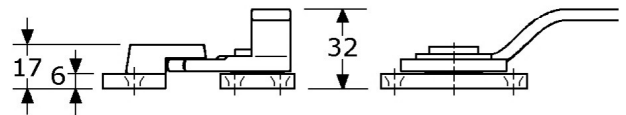


door/hatch toggle, 110mm
 stainless steel 316/A4 mirror polished
 with conical shaft, for flat surface single use
 with stop: for maximum turnable 90°
 for small door or hatch
 total highness 32mm
 narrow mounting plate 60x30x6mm
 with 4 countersunk screwholes (4,2mm/M4)
 rim keeper plate:
 60x24/39x6mm, total highness 17mm
 with 2 countersunk screwholes (4,2mm/M4)
 in boxes of 12 Pcs.

579223
 579224



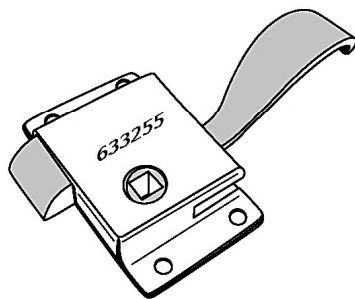
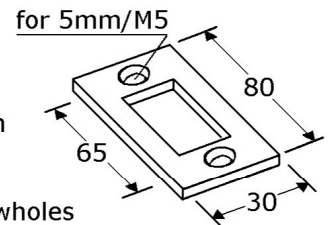
door/hatch toggle SS-316/A4 LH
 door/hatch toggle SS-316/A4 RH



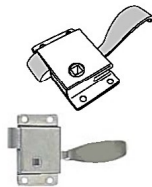
506219



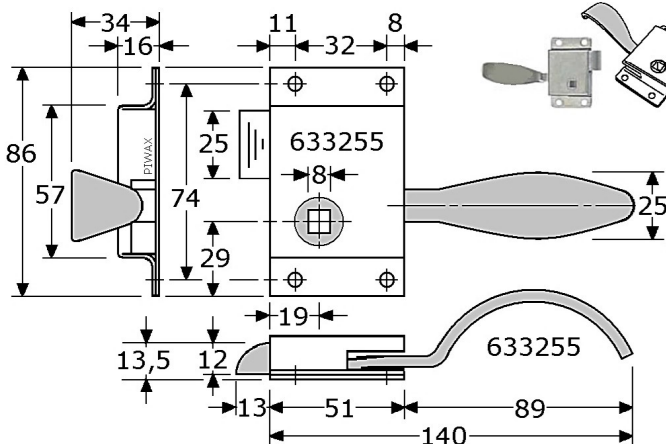
striking plate 80x30x3mm
 stainless steel 316/A4
 flat, with hole 40x10mm
 with 2 countersunk screwholes



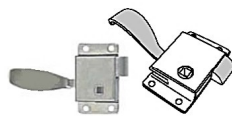
633255



PIWAX rim lock, left
 stainless steel 304/A2 (not polished)
 with stainless steel handle (not polished)
 with stainless steel hub #8mm, backset 19mm
 solid stainless steel latch bolt, extension 13mm
 thickness latch bolt 1-12mm, stand not changable
 case 86x51x16mm, spring loaded
 for use by #8mm or use by the handle
 with 4 screwholes ø6mm
 in boxes of 10 Pcs



633256



PIWAX rim lock, right
 stainless steel 304/A2 (not polished)
 with stainless steel handle (not polished)
 with stainless steel hub #8mm, backset 19mm
 solid stainless steel latch bolt, extension 13mm
 thickness latch bolt 1-12mm, stand not changable
 case 86x51x16mm, spring loaded
 for use by #8mm or use by the handle
 with 4 screwholes ø6mm
 in boxes of 10 Pcs



PIWAX B.V.
 Coenecoop 131
 2741 PJ WADDINXVEEN (NL)
 Tel. (31) 182 - 61 11 66
 Email: info@pimex.nl