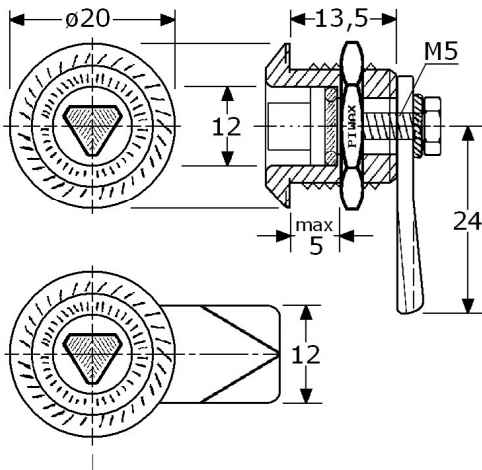


PIMEX advice the PIWAX latch 650251 in stainless steel 316/A4 with triangular  $\triangle$  8mm see page GY-650a

for longer triangular latches:  
see page GY-650b for length 36mm (650253)  
see page GY-650c for length 50mm (650254)  
see page GY-650d for length 80mm (650256)

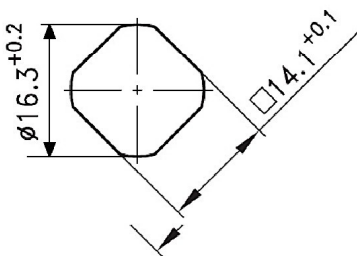
PIMEX has also very nice latches with 6mm compression (653452/653453) in stainless steel 316/A4 with triangular  $\triangle$  8mm see page GY-653a

if there is not so much space, then the mini latch in stainless steel is a solution



646202

mini latch with triangular  $\triangle$  6,5mm stainless steel 316/A4/1.4401 water and dust tight, no packing/gasket small short type, body length 13,5mm for use door thickness 1-5mm with stainless steel 304/A2 nut M16 with stainless steel 304/A2 bolt M5 for LH and RH assembly backside: #6x6mm, for 90° action limited (keys & cams have to be ordered separately) hole pattern: #14,1mm/ø16,3mm mounting: a complete assembled latch can be pushed through the hole in the door in boxes of 25 Pcs.



646208

key length 65mm for triangular  $\triangle$  6,5mm zinc alloy nickel plated, with oval eye



cams for mini triangular latches 646202:

646277

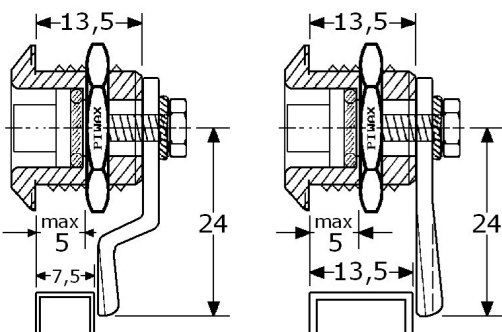
cam stainless steel 304/A2 -6mm, conical with neck length (till centre) 24mm, width 12mm thickness 2mm, for -6mm (13,5-6=7,5mm)

646280

cam stainless steel 304/A2 0mm, conical with neck length (till centre) 24mm, width 12mm thickness 2mm, for +0mm (13,5+0=13,5mm)

646283

cam stainless steel 304/A2 +6mm, conical with neck length (till centre) 24mm, width 12mm thickness 2mm, for +6mm (13,5+6=19,5mm)



646202+646277

646202+646280

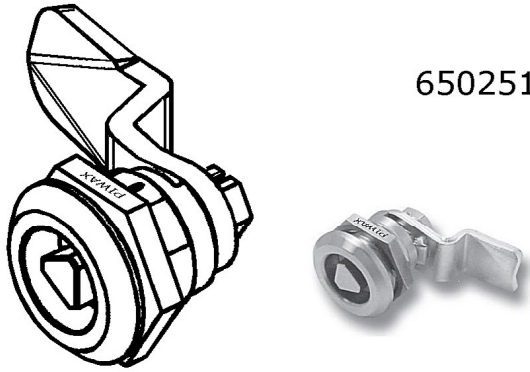


646202+646283



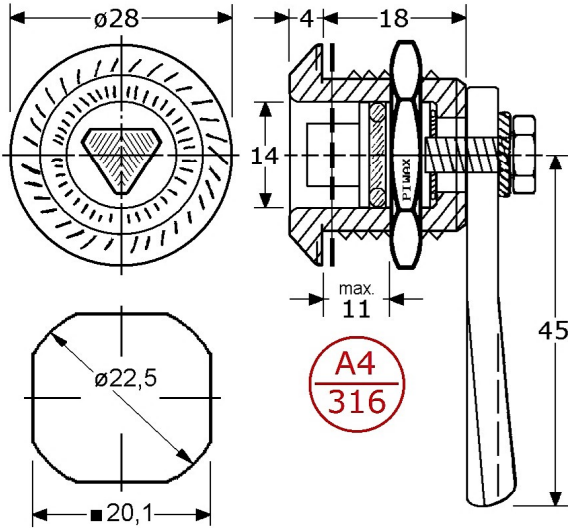
PIMEX B.V.  
Coenecoop 131  
2741 PJ WADDINXVEEN (NL)  
Tel. (31) 182 - 61 11 66  
Email: info@pimex.nl

A4  
316



650251

PIWAX quarter-turn latches with triangular  $\triangle$  8mm stainless steel 316/A4/1.4401 with each inside 1 EPDM "O"-ring (better than IP65) seawater continually, water and dust tight with each 1 black packing/gasket  $\varnothing$ 28x0,8mm short type, body length 18mm for use door thickness 1-11mm  
### with triangular  $\triangle$  8mm: it is nearly impossible to open this latch without 8mm triangular key, there is inside no space for tooling ###  
with each 1 nut stainless steel 316/A4 M22 for LH and RH assembly and usable as down lock hole pattern #20,1mm/ $\varnothing$ 22,5mm backside #8x8mm with bolt M6 for 90° action limited (using cam with nock) (cams to be ordered separately) (keys to be ordered separately)  
mounting: a complete assembled latch can be pushed through the hole in the door in boxes of 12 Pcs.



A4  
316

also possible on request:

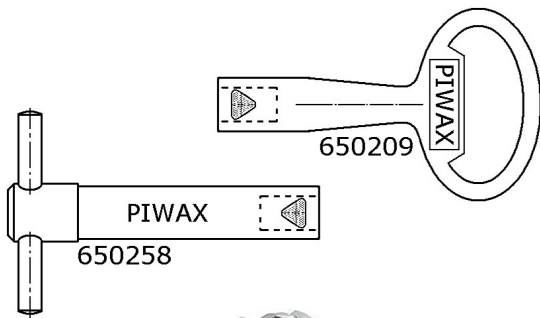
- like 650251 in SS-316/A4, but mirror polished (650241)



- like 650251, but with simple inside parts stainless steel 304/A2 (650208)



- in stainless steel with cylinder, see page GY-647a



650209

PIWAX key for triangular  $\triangle$  8mm zinc alloy nickel plated, economical type length 78mm, with big oval eye

650258

PIWAX T-key for triangular  $\triangle$  8mm stainless steel 303/A2, length 80mm

650259

PIWAX T-key for triangular  $\triangle$  8mm stainless steel 303/A2, length 80mm with stainless steel key ring



different cams (thickness 4mm) for different situations:

650279

PIWAX cam (316/A4) -12mm back (18-12=6mm)

650280

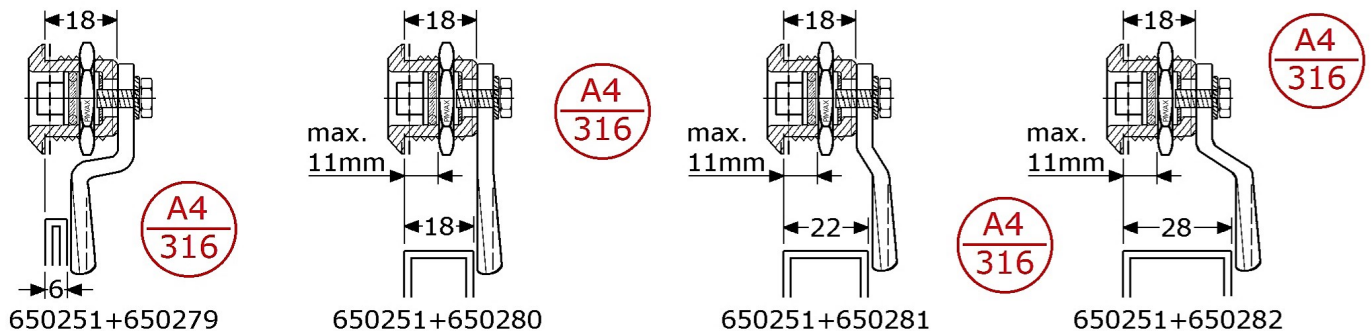
PIWAX cam (316/A4) 0mm flat (18+0=18mm)

650281

PIWAX cam (316/A4) +4mm (18+4=22mm)

650282

PIWAX cam (316/A4) +10mm (18+10=28mm)

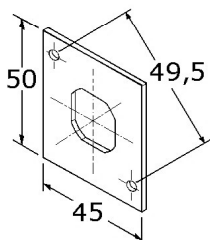


650251+650279

650251+650280

650251+650281

650251+650282



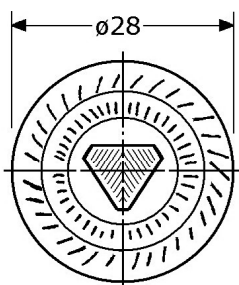
in stock we have mounting plates in stainless steel 316/A4 with 2 holes  $\varnothing$ 4mm (650293) or without holes (650295), see page GY-651a

A4  
316



PIWAX B.V.  
Coenecoop 131  
2741 PJ WADDINXVEEN (NL)  
Tel. (31) 182 - 61 11 66  
Email: info@pimex.nl





A4  
316

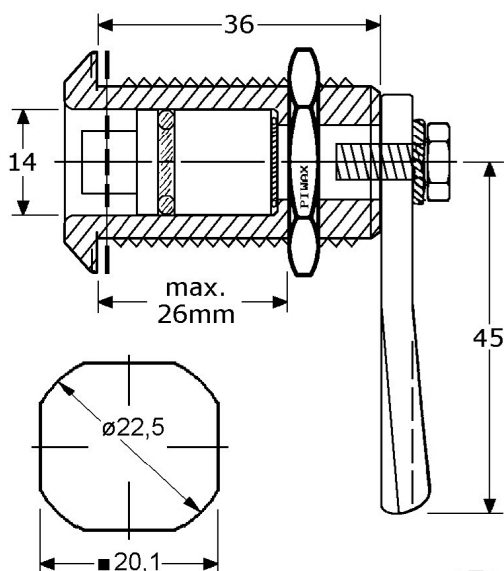
36mm

650253



PIWAX quarter-turn latches with triangular  $\triangle$  8mm stainless steel 316/A4/1.4401 with each inside 1 EPDM "O"-ring (better than IP65) seawater continually, water and dust tight with each 1 black packing/gasket  $\varnothing 28 \times 0,8$ mm long type, body length 36mm inside parts out of 1 long piece (no loose adapters !!) for use door thickness 1-26mm  
 ### with triangular  $\triangle$  8mm: it is nearly impossible to open this latch without 8mm triangular key, there is inside no space for tooling ###  
 with each 1 nut stainless steel 316/A4 M22 for LH and RH assembly and usable as down lock hole pattern #20,1mm/ $\varnothing 22,5$ mm backside #8x8mm with bolt M6 for 90° action limited (using cam with notch) (cams to be ordered separately) (keys to be ordered separately)  
 mounting: cams assembling after pushing the latch through the hole in the door  
 in boxes of 12 Pcs.

also possible on request:  
 - like 650253 in SS-316/A4, but mirror polished (650243)



A4  
316

650209

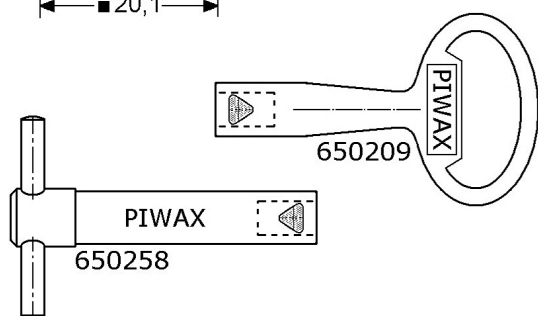
PIWAX key for triangular  $\triangle$  8mm zinc alloy nickel plated, economical type length 78mm, with big oval eye

650258

PIWAX T-key for triangular  $\triangle$  8mm stainless steel 303/A2, length 80mm

650259

PIWAX T-key for triangular  $\triangle$  8mm stainless steel 303/A2, length 80mm with stainless steel key ring



different cams (thickness 4mm) for different situations:

650279

PIWAX cam (316/A4) -12mm back (36-12=24mm)

650280

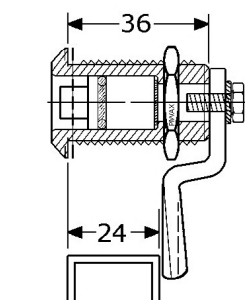
PIWAX cam (316/A4) 0mm flat (36+0=36mm)

650281

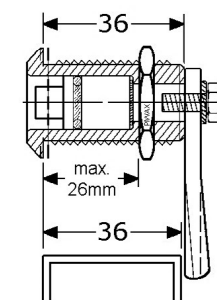
PIWAX cam (316/A4) +4mm (36+4=40mm)

650282

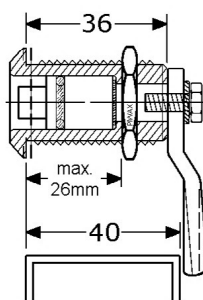
PIWAX cam (316/A4) +10mm (36+10=46mm)



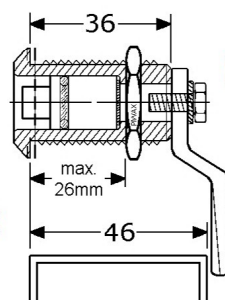
A4  
316



A4  
316



A4  
316



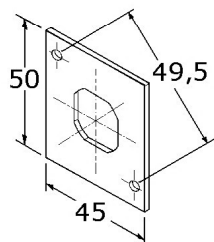
A4  
316

650253+650279

650253+650280

650253+650281

650253+650282

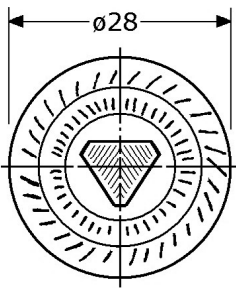


in stock we have mounting plates in stainless steel 316/A4 with 2 holes  $\varnothing 4$ mm (650293) or without holes (650295), see page GY-651a

A4  
316



PIWAX B.V.  
 Coenecoop 131  
 2741 PJ WADDINXVEEN (NL)  
 Tel. (31) 182 - 61 11 66  
 Email: info@pimex.nl


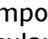


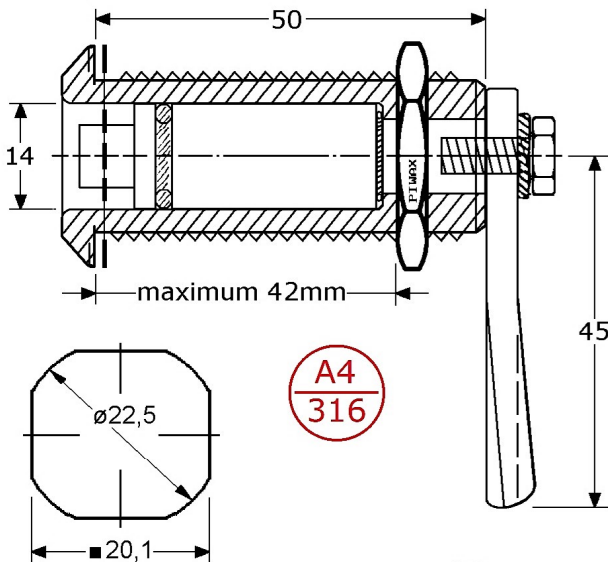
50mm



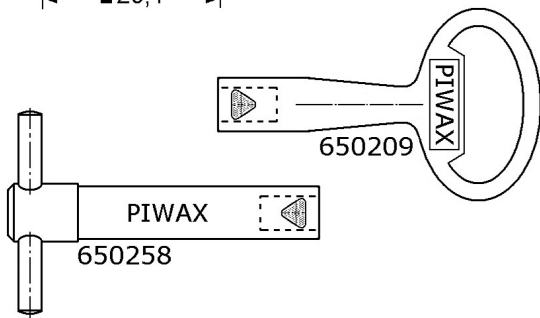
650254




PIWAX quarter-turn latches with triangular  8mm stainless steel 316/A4/1.4401 with each inside 1 EPDM "O"-ring (better than IP65) seawater continually, water and dust tight with each 1 black packing/gasket  $\varnothing 28 \times 0,8$ mm long type, body length 50mm inside parts out of 1 long piece (no loose adapters !!) for use door thickness 1-42mm  
 ### with triangular  8mm: it is nearly impossible to open this latch without 8mm triangular key, there is inside no space for tooling ###  
 with each 1 nut stainless steel 316/A4 M22 for LH and RH assembly and usable as down lock hole pattern #20,1mm/ $\varnothing 22,5$ mm backside #8x8mm with bolt M6 for 90° action limited (using cam with nock) (cams to be ordered separately) (keys to be ordered separately)  
 mounting: cams assembling after pushing the latch through the hole in the door  
 in boxes of 12 Pcs.




also possible on request:  
 - like 650254 in SS-316/A4, but mirror polished (650244)




650209

PIWAX key for triangular  8mm zinc alloy nickel plated, economical type length 78mm, with big oval eye

650258

PIWAX T-key for triangular  8mm stainless steel 303/A2, length 80mm

650259

PIWAX T-key for triangular  8mm stainless steel 303/A2, length 80mm with stainless steel key ring

different cams (thickness 4mm) for different situations:



650279

PIWAX cam (316/A4) -12mm back (50-12=38mm)

650280

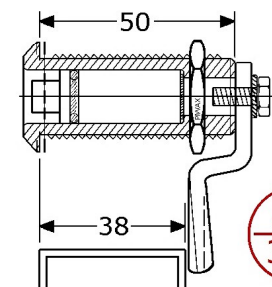
PIWAX cam (316/A4) 0mm flat (50+0=50mm)

650281

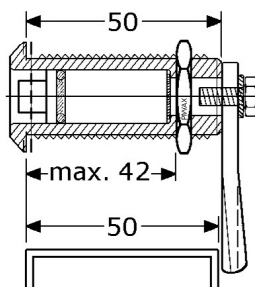
PIWAX cam (316/A4) +4mm (50+4=54mm)

650282

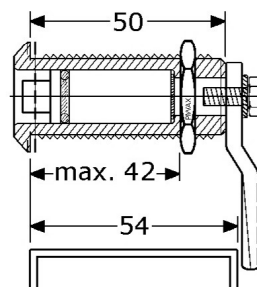
PIWAX cam (316/A4) +10mm (50+10=60mm)



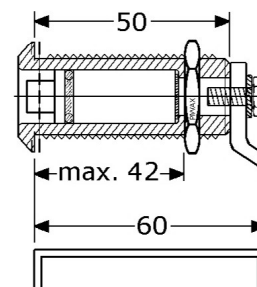
650254+650279



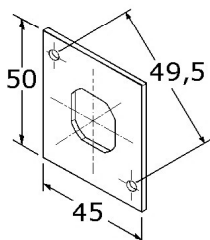
650254+650280



650254+650281



650254+650282

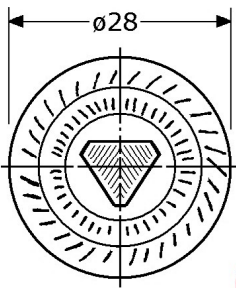


in stock we have mounting plates in stainless steel 316/A4 with 2 holes  $\varnothing 4$ mm (650293) or without holes (650295), see page GY-651a



PIWAX B.V.  
 Coenecoop 131  
 2741 PJ WADDINXVEEN (NL)  
 Tel. (31) 182 - 61 11 66  
 Email: info@pimex.nl





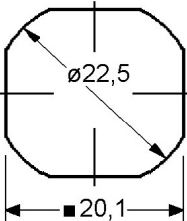
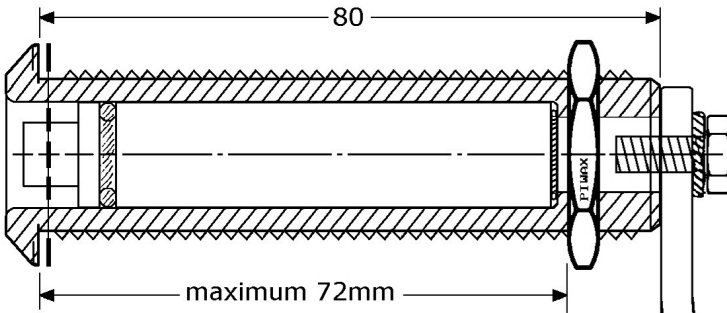
**80mm**

**650256**

**A4  
316**

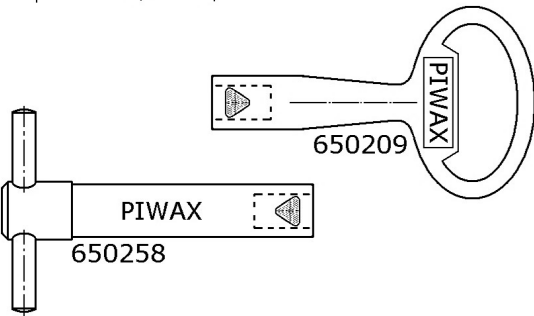


PIWAX quarter-turn latches with triangular  $\triangle$  8mm stainless steel 316/A4/1.4401 with each inside 1 EPDM "O"-ring (better than IP65) seawater continually, water and dust tight with each 1 black packing/gasket  $\varnothing$ 28x0,8mm long type, body length 80mm inside parts out of 1 long piece (no loose adapters !!) for use door thickness 1-72mm  
 ### with triangular  $\triangle$  8mm: it is nearly impossible to open this latch without 8mm triangular key, there is inside no space for tooling ###  
 with each 1 nut stainless steel 316/A4 M22 for LH and RH assembly and usable as down lock hole pattern #20,1mm/ $\varnothing$ 22,5mm backside #8x8mm with bolt M6 for 90° action limited (using cam with nock) (cams to be ordered separately) (keys to be ordered separately)  
 mounting: cams assembling after pushing the latch through the hole in the door  
 in boxes of 12 Pcs.



**A4  
316**

also possible on request:  
 - like 650256 in SS-316/A4, but mirror polished (650246)



**650209**

PIWAX key for triangular  $\triangle$  8mm zinc alloy nickel plated, economical type length 78mm, with big oval eye

**650258**

PIWAX T-key for triangular  $\triangle$  8mm stainless steel 303/A2, length 80mm

**650259**

PIWAX T-key for triangular  $\triangle$  8mm stainless steel 303/A2, length 80mm with stainless steel key ring

different cams (thickness 4mm) for different situations:



**650279**

PIWAX cam (316/A4) -12mm back (80-12=68mm)

**650280**

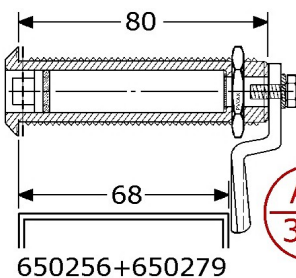
PIWAX cam (316/A4) 0mm flat (80+0=80mm)

**650281**

PIWAX cam (316/A4) +4mm (80+4=84mm)

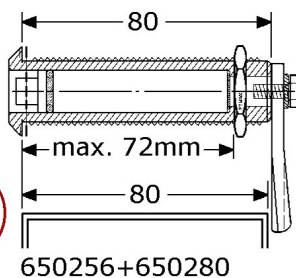
**650282**

PIWAX cam (316/A4) +10mm (80+10=90mm)

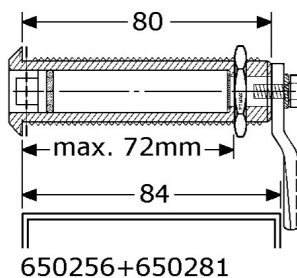


650256+650279

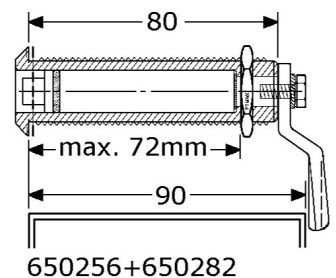
**A4  
316**



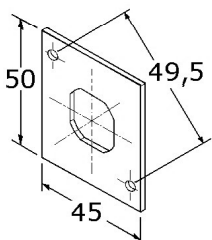
650256+650280



650256+650281



650256+650282

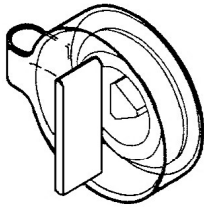


in stock we have mounting plates in stainless steel 316/A4 with 2 holes  $\varnothing$ 4mm (650293) or without holes (650295), see page GY-651a

**A4  
316**

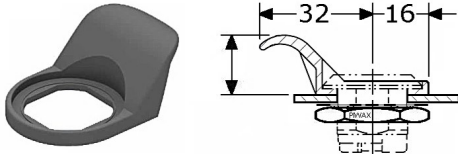


**PIWAX B.V.**  
 Coenecoop 131  
 2741 PJ WADDINXVEEN (NL)  
 Tel. (31) 182 - 61 11 66  
 Email: info@pimex.nl



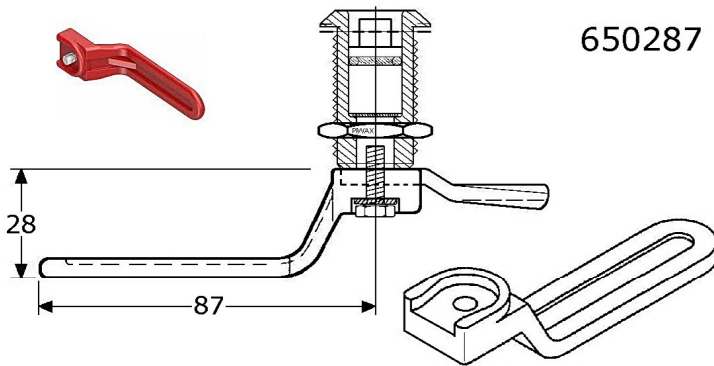
650288

PIWAX dust cap, outside  $\varnothing$ 35mm  
 out of white polyethylene (PE)  
 with exactly hole for latches  $\varnothing$ 28mm  
 between filthiness and stoppage  
 ### if using dust cap 650288, the maximum  
 doorthickness will be reduced 1-2mm ###  
 in boxes of 12 Pcs.



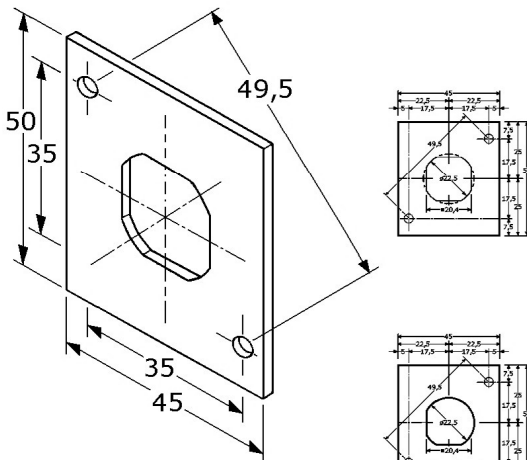
650290

finger pull, outside  $\varnothing$ 32mm  
 out of black polyamide (PA-6)  
 with exactly hole for latches  $\varnothing$ 28mm  
 length 32+16=48mm, highness 17mm  
 ### if using finger pull 650290, the maximum  
 doorthickness will be reduced 2mm ###  
 in boxes of 25 Pcs.



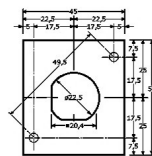
650287

PIWAX security handle  
 out of red polyamide (PA-6)  
 length 87mm, highness 28mm  
 mounting from backside over cam 6502..  
 (for short latch: order hexagon head bolts M6x16)  
 ### the security handle has to placed over the cam,  
 then you screw the security handle + cam;  
 sometimes it is necessary to made the  
 rounding of these cams a little smaller ###  
 for left and right use  
 in boxes of 12 Pcs.



650293

PIWAX mounting plate 50x45x1,5mm  
 stainless steel 316/A4/1.4401  
 with exactly hole for latch 6502..  
 with 2 screwholes  $\varnothing$ 4mm (c.t.c. 49,5mm)  
 ### you don't have to make a special hole  
 for the latch, the house cannot turn;  
 it makes the mounting of the latch stronger  
 for glue, screw or welding ###  
 ### if using mounting plate 650293: the maximum  
 doorthickness will be reduced 1,5mm ###  
 in boxes of 12 Pcs.



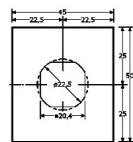
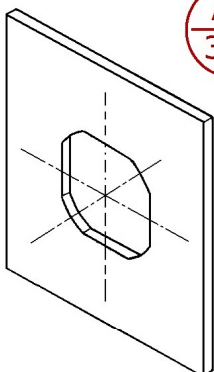
650292

PIWAX distance plate 50x45x1,5mm  
 stainless steel 316/A4/1.4401 (like 650293)  
 with big hole + 2 screwholes  $\varnothing$ 4mm (c.t.c. 49,5mm)  
 in boxes of 12 Pcs.



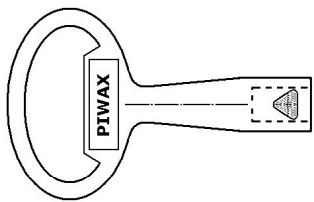
650295


PIWAX mounting plate 50x45x1,5mm  
 stainless steel 316/A4/1.4401  
 with exactly hole for latch 6502..  
 without screwholes  
 ### you don't have to make a special hole  
 for the latch, the house cannot turn;  
 it makes the mounting of the latch stronger  
 for glue or welding ###  
 ### if using mounting plate 650295: the maximum  
 doorthickness will be reduced 1,5mm ###  
 in boxes of 12 Pcs.

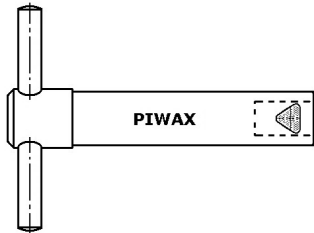



PIMEX B.V.  
 Coenecoop 131  
 2741 PJ WADDINXVEEN (NL)  
 Tel. (31) 182 - 61 11 66  
 Email: info@pimex.nl

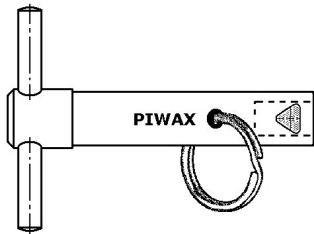





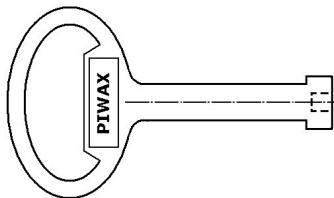
**650209** PIWAX key for triangular  8mm  
zinc alloy nickel plated  
length 78mm, with big oval eye  
(economical type)



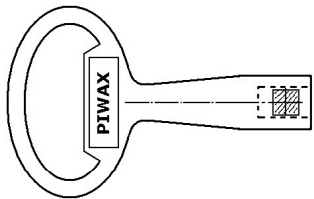
**650258** PIWAX T-key for triangular  8mm  
stainless steel 303/A2  
length 80mm, strong type



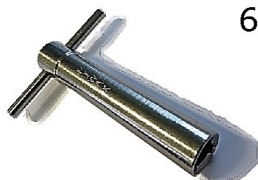
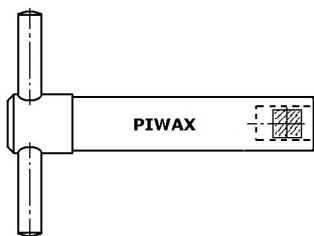
**650259** PIWAX T-key for triangular  8mm  
stainless steel 303/A2  
length 80mm, strong type  
with stainless steel key ring



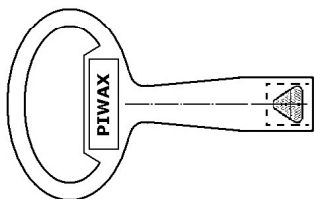
**652014** PIWAX key for double bit  $\varnothing 3\text{mm}$  and  $\varnothing 5\text{mm}$   
zinc alloy nickel plated  
length 90mm, with big oval eye





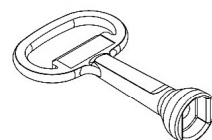
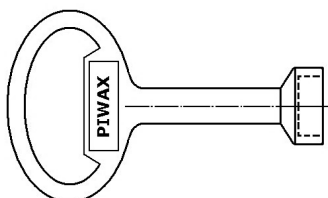
**652034** PIWAX key for square #7x7mm  
zinc alloy nickel plated  
length 78mm, with big oval eye



**652042** PIWAX T-key for square #8x8mm  
stainless steel 303/A2  
length 80mm, strong type



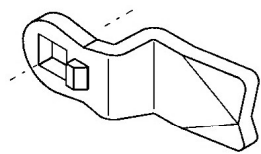
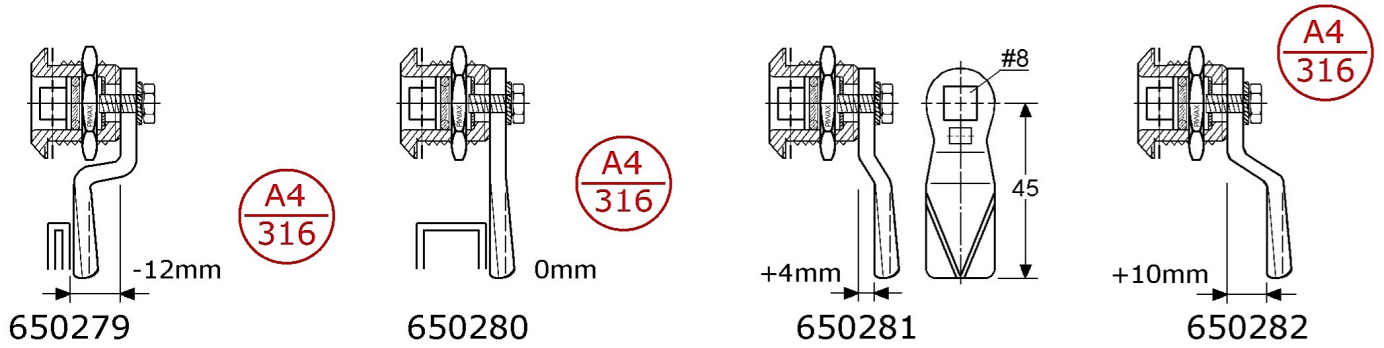
**652074** PIWAX key for big triangular  10mm  
zinc alloy nickel plated  
(for quarter-turn latches 652271 with  10mm)  
length 80mm, with big oval eye



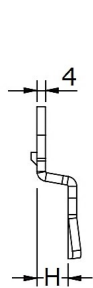
**652032** PIWAX key for SW-13  
zinc alloy nickel plated  
(for quarter-turn latches 654072)  
length 85mm, with big oval eye



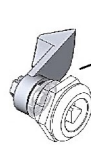
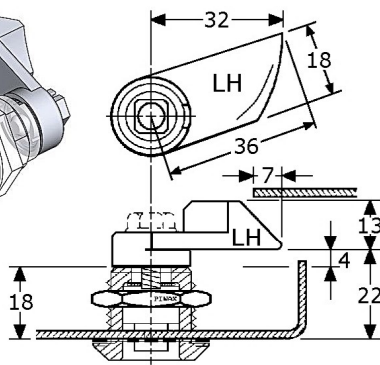
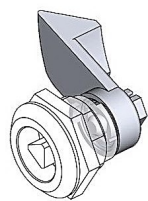
**PIMEX B.V.**  
Coenecoop 131  
2741 PJ WADDINXVEEN (NL)  
Tel. (31) 182 - 61 11 66  
Email: info@pimex.nl



cams out of stainless steel 304/A2 and 316/A4  
(SS-316: in highness -12mm, 0mm, +4mm and +10mm)  
length to centre 45mm, thickness 4mm, with notch for stop on 90°

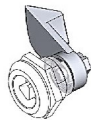


- 650279 PIWAX cam (316/A4) -12mm back (18-12=6mm)
- 650310 PIWAX cam (304/A2) -8mm back (18-8=10mm)
- 650314 PIWAX cam (304/A2) -4mm back (18-4=14mm)
- 650280 PIWAX cam (316/A4) 0mm flat (18+0=18mm)
- 650281 PIWAX cam (316/A4) +4mm (18+4=22mm)
- 650324 PIWAX cam (304/A2) +6mm (18+6=24mm)
- 650326 PIWAX cam (304/A2) +8mm (18+8=26mm)
- 650282 PIWAX cam (316/A4) +10mm (18+10=28mm)
- 650330 PIWAX cam (304/A2) +12mm (18+12=30mm)
- 650332 PIWAX cam (304/A2) +14mm (18+14=32mm)



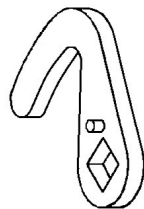
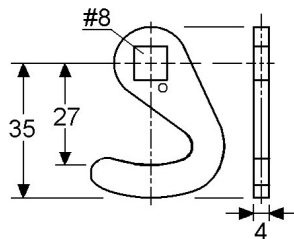
650223

PIWAX cam +4mm, spring loaded stainless steel 316/A4 satin polished solid casting, conical, max. hook 90°, stand DIN left length to centre (hole #8mm) 36mm thickness 13mm, with stainless steel spring ### for lower friction, you have to take the black rubber O-ring out of the quarter-turn latch ### in boxes of 12 Pcs.



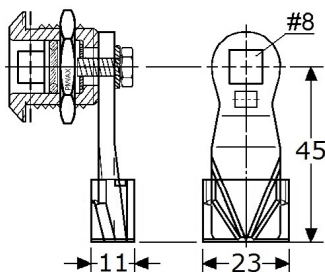
650224

PIWAX cam +4mm, spring loaded stainless steel 316/A4 satin polished like 650223, but stand DIN right



650227

PIWAX hookcam stainless steel 304/A2 flat, thickness 4mm ### for small sliding doors ### for left and right use ### with special screw for stop on 90° ### in boxes of 12 Pcs.



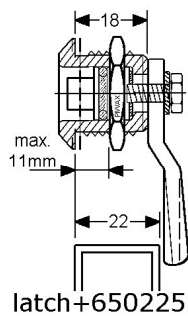
650303

PIWAX slide shoe (out of 2 parts) white polyacetal, need 2mm space for mounting/sliding over the conical cam 6502.. prevent metallic noise, low friction in boxes of 25 Pcs.

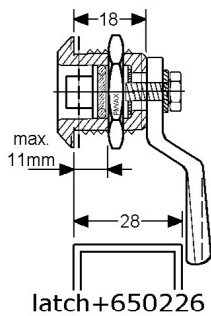
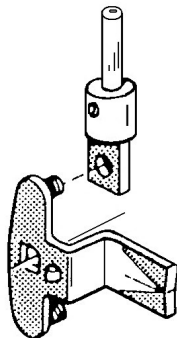


**PIWAX B.V.**  
Coenecoop 131  
2741 PJ WADDINXVEEN (NL)  
Tel. (31) 182 - 61 11 66  
Email: info@pimex.nl





latch+650225



latch+650226

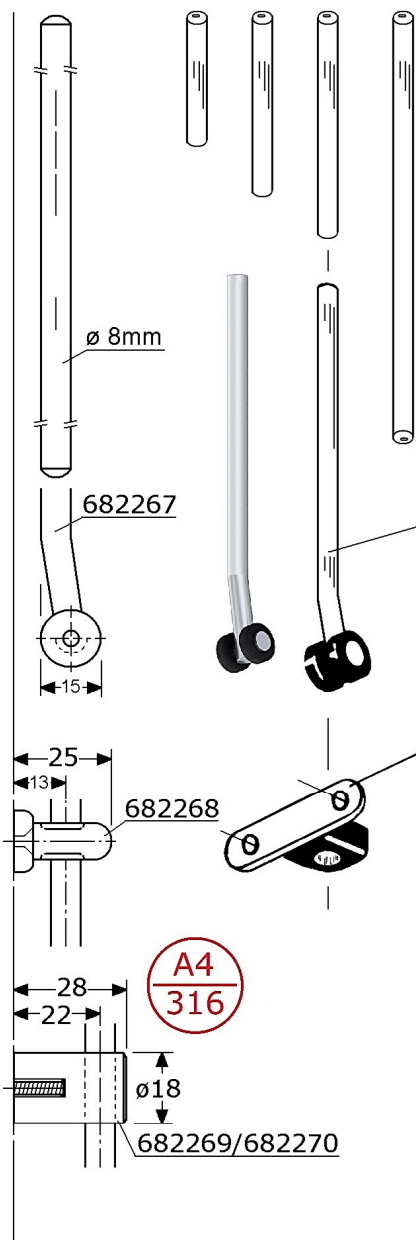


**650225** PIWAX 3-point cam high +/-4mm stainless steel 304/A2 length till centre (#8mm/M6) 45mm, thickness 4mm with 2x nock ø6mm & with 2x retaining rings with 2x adapters ø16mm, extension 18+18=36mm (quarter-turn latches to be ordered separately) in boxes of 12 Pcs. (delivery on request)

**650226** PIWAX 3-point cam high +/-10mm stainless steel 304/A2 length till centre (#8mm/M6) 45mm, thickness 4mm with 2x nock ø6mm & with 2x retaining rings with 2x adapters ø16mm, extension 18+18=36mm (quarter-turn latches to be ordered separately) in boxes of 12 Pcs.

for espagnolette rim locks out of stainless steel for rod ø8mm, see page GY-680a

for pump espagnolette out of stainless steel for squire rod #10/13/16mm, see page GY-687a



**682260** PIWAX rod ø8x280mm stainless steel 316/A4, rounded ends

**682261** PIWAX rod ø8x450mm stainless steel 316/A4, rounded ends

**682262** PIWAX rod ø8x700mm stainless steel 316/A4, rounded ends

**682263** PIWAX rod ø8x1000mm stainless steel 316/A4, rounded ends

**682264** PIWAX rod ø8x1500mm stainless steel 316/A4, rounded ends

**682267** PIWAX rod ø8x1000mm stainless steel 304/A2 with double black nylon wheels ø15mm for easy opening/closing a door in boxes of 2 Pcs. and 12 Pcs.

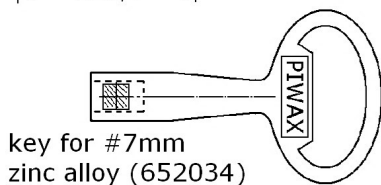
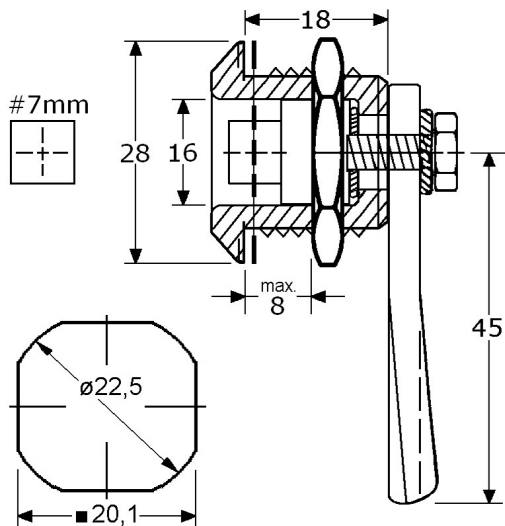
**682268** PIWAX rod guide 60mm stainless steel 304/A2 + black synthetic rubber length 60mm, high 25mm with 2 countersunk screwholes c.t.c. 44mm in boxes of 2 Pcs. and 40 Pcs.

**682269** PIWAX rod guide ø18mm, with hole M6 stainless steel 316/A4 satin for unvisable mounting on metal with thread M6 in boxes of 2 Pcs. and 40 Pcs.

**682270** PIWAX rod guide ø18mm, with hole M6 stainless steel 304/A2 satin for unvisable mounting on metal with thread M6 in boxes of 2 Pcs. and 40 Pcs.



**PIWAX B.V.**  
Coenecoop 131  
2741 PJ WADDINXVEEN (NL)  
Tel. (31) 182 - 61 11 66  
Email: info@pimex.nl



key for #7mm zinc alloy (652034)

652231

quarter-turn latches with #7mm stainless steel 304/A2, for maximum 8mm plate body length 18mm  
backside: #8x8mm (cams to be ordered separately) in boxes of 25 Pcs. (without key zinc alloy 652034)

652232



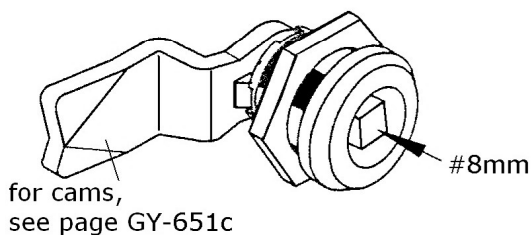
quarter-turn latches with #7mm stainless steel 316/A4, for maximum 8mm plate body length 18mm  
backside: #8x8mm (cams to be ordered separately) in boxes of 25 Pcs. (without key zinc alloy 652034)

652233

quarter-turn latches with #7mm stainless steel 304/A2, for maximum 20mm plate body length 30mm  
backside: #8x8mm (cams to be ordered separately) in boxes of 25 Pcs. (without key zinc alloy 652034)

652235

quarter-turn latches with #7mm stainless steel 304/A2, for maximum 26mm plate body length 36mm, with adaptor (not out-of-1-Pcs)  
backside: #8x8mm (cams to be ordered separately) in boxes of 25 Pcs. (without key zinc alloy 652034)



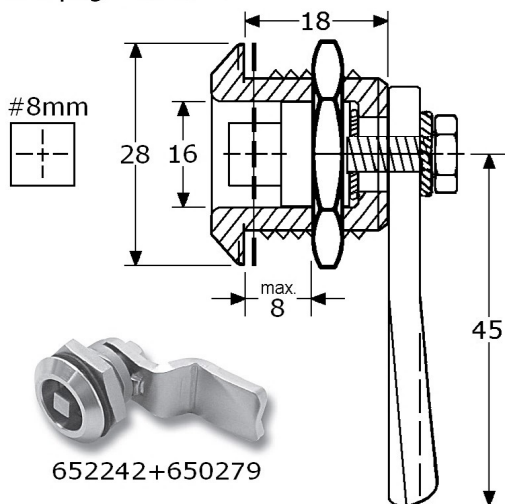
652241

quarter-turn latches with #8mm stainless steel 304/A2, for maximum 8mm plate body length 18mm  
backside: #8x8mm (cams to be ordered separately) in boxes of 25 Pcs. (without key SS-304 652042)

652242



quarter-turn latches with #8mm stainless steel 316/A4, for maximum 8mm plate body length 18mm  
backside: #8x8mm (cams to be ordered separately) in boxes of 25 Pcs. (without key SS-304 652042)



652243

quarter-turn latches with #8mm stainless steel 304/A2, for maximum 20mm plate body length 30mm  
backside: #8x8mm (cams to be ordered separately) in boxes of 25 Pcs. (without key SS-304 652042)

652245

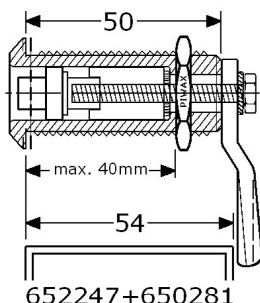
quarter-turn latches with #8mm stainless steel 304/A2, for maximum 26mm plate body length 36mm, with adaptor (not out-of-1-Pcs)  
backside: #8x8mm (cams to be ordered separately) in boxes of 25 Pcs. (without key SS-304 652042)



652242+650279

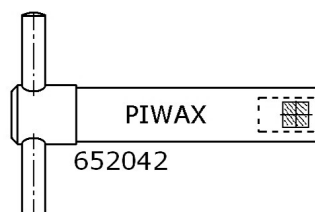
652247

quarter-turn latches with #8mm stainless steel 304/A2, for maximum 40mm plate body length 50mm, with adaptor (not out-of-1-Pcs)  
backside: #8x8mm (cams to be ordered separately) in boxes of 25 Pcs. (without key SS-304 652042)



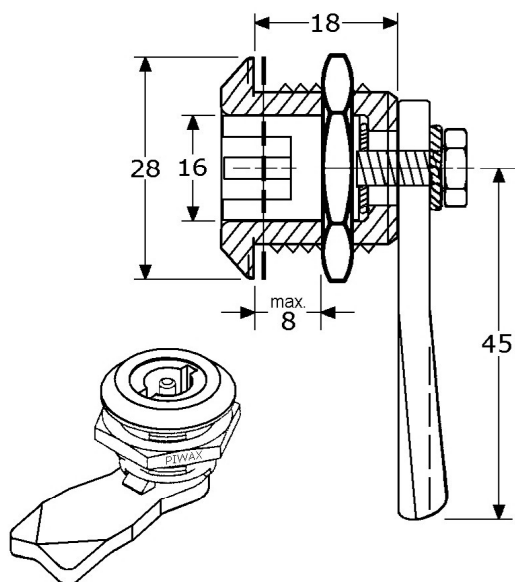
652247+650281

key for #8mm stainless steel 304/A2, see page GY-651b



**PIMEX B.V.**  
Coenecoop 131  
2741 PJ WADDINXVEEN (NL)  
Tel. (31) 182 - 61 11 66  
Email: info@pimex.nl



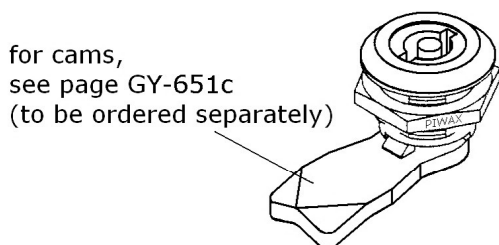


**652201** quarter-turn latches with double bit  $\varnothing 3\text{mm}$  stainless steel 304/A2, for maximum 8mm plate body length 18mm  
backside: #8x8mm (cams to be ordered separately) in boxes of 25 Pcs. (without key zinc alloy 652014)



**652203** quarter-turn latches with double bit  $\varnothing 3\text{mm}$  stainless steel 304/A2, for maximum 20mm plate body length 30mm  
backside: #8x8mm (cams to be ordered separately) in boxes of 25 Pcs. (without key zinc alloy 652014)

**652207** quarter-turn latches with double bit  $\varnothing 3\text{mm}$  stainless steel 304/A2, for maximum 40mm plate body length 50mm, with adaptor (not out-of-1-Pcs)  
backside: #8x8mm (cams to be ordered separately) in boxes of 25 Pcs. (without key zinc alloy 652014)



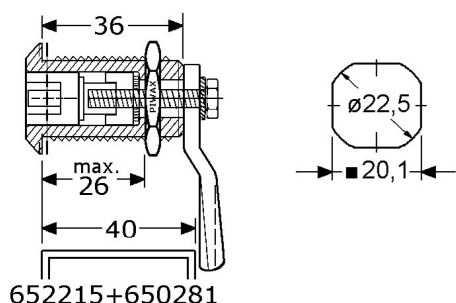
**652211** quarter-turn latches with double bit  $\varnothing 5\text{mm}$  stainless steel 304/A2, for maximum 8mm plate body length 18mm  
backside: #8x8mm (cams to be ordered separately) in boxes of 25 Pcs. (without key zinc alloy 652014)



**652212** quarter-turn latches with double bit  $\varnothing 5\text{mm}$  stainless steel 316/A4, for maximum 8mm plate body length 18mm  
backside: #8x8mm (cams to be ordered separately) in boxes of 25 Pcs. (without key zinc alloy 652014)



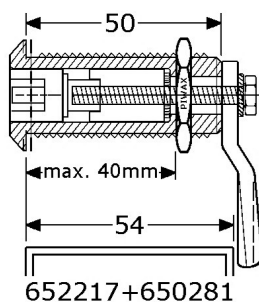
**652213** quarter-turn latches with double bit  $\varnothing 5\text{mm}$  stainless steel 304/A2, for maximum 20mm plate body length 30mm  
backside: #8x8mm (cams to be ordered separately) in boxes of 25 Pcs. (without key zinc alloy 652014)



652215+650281

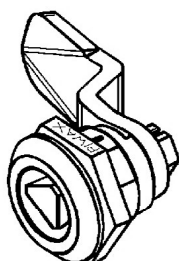
**652215** quarter-turn latches with double bit  $\varnothing 5\text{mm}$  stainless steel 304/A2, for maximum 26mm plate body length 36mm, with adaptor (not out-of-1-Pcs)  
backside: #8x8mm (cams to be ordered separately) in boxes of 25 Pcs. (without key zinc alloy 652014)

**652217** quarter-turn latches with double bit  $\varnothing 5\text{mm}$  stainless steel 304/A2, for maximum 40mm plate body length 50mm, with adaptor (not out-of-1-Pcs)  
backside: #8x8mm (cams to be ordered separately) in boxes of 25 Pcs. (without key zinc alloy 652014)



652217+650281

for quarter-turn latches with triangular 8mm, in stainless steel 316/A4, see page GY-650a

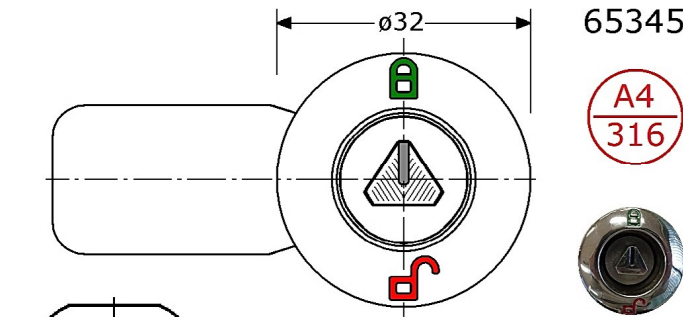


**652271** quarter-turn latches with triangular  $\triangle 10\text{mm}$  stainless steel 304/A2, for maximum 8mm plate body length 18mm  
backside: #8x8mm (cams to be ordered separately) in boxes of 25 Pcs. (without key zinc alloy 652074)  
> for latches with triangular  $\triangle 8\text{mm}$ , see GY-650a

- key zinc alloy for double bit  $\varnothing 3\text{mm}$  &  $\varnothing 5\text{mm}$  = 652014
- key zinc alloy for triangular  $\triangle 10\text{mm}$  = 652074



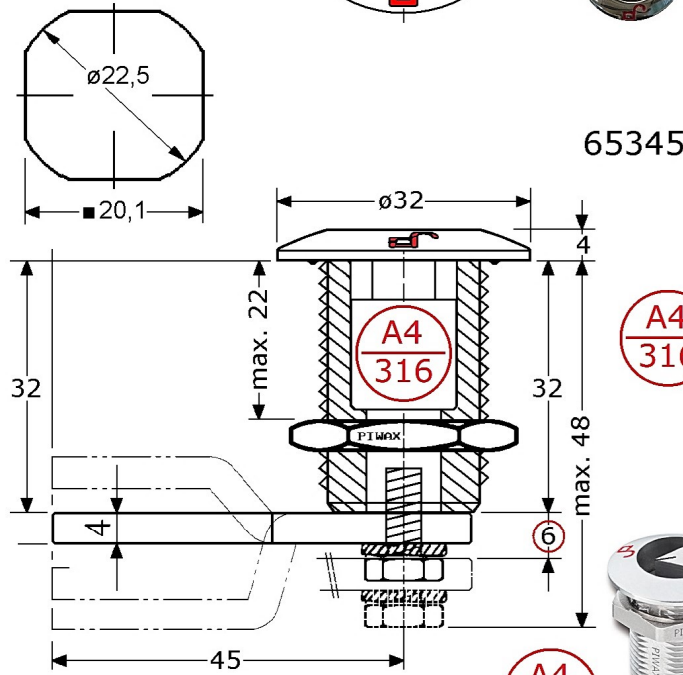
**PIMEX B.V.**  
Coenecoop 131  
2741 PJ WADDINXVEEN (NL)  
Tel. (31) 182 - 61 11 66  
Email: info@pimex.nl



**653452**



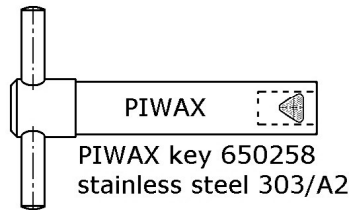
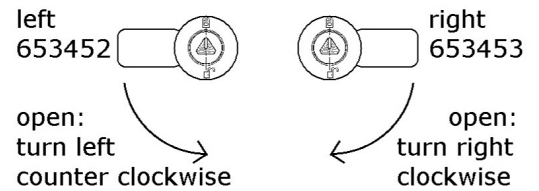
PIWAX quarter-turn compression latches, LEFT stainless steel 316/A4 front mirror polished, with triangular 8mm body length 32mm, for maximum 22mm plate front with marked arrow and red/green indication close: 1th 90° rotation of cam to close position, then the 2th 90° will pull the cam towards the frame open: reversed of the closing action (90+90=180°) seawater continually, water and dust tight, with 6mm compression, vibration proof with each 1 nut stainless steel 316/A4 M22 (cams & keys have to be ordered separately) in boxes of 12 Pcs.



**653453**



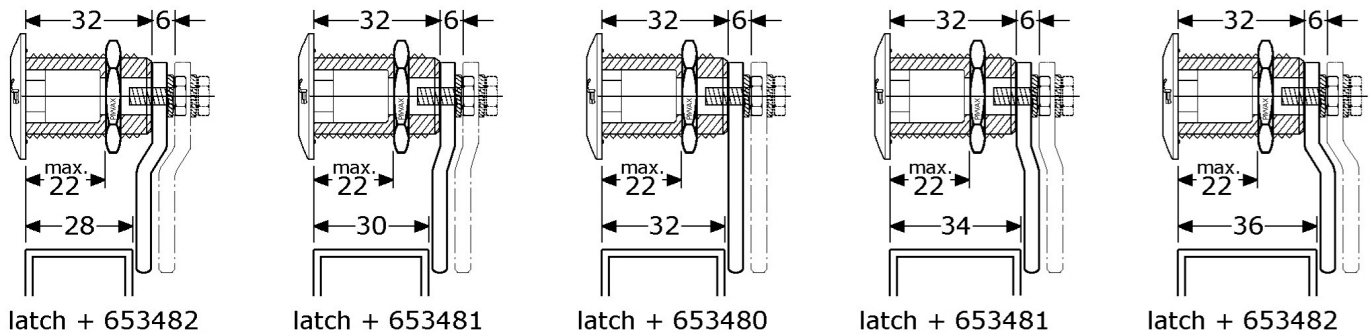
PIWAX quarter-turn compression latches, RIGHT stainless steel 316/A4 front mirror polished, with triangular 8mm body length 32mm, for maximum 22mm plate front with marked arrow and red/green indication close: 1th 90° rotation of cam to close position, then the 2th 90° will pull the cam towards the frame open: reversed of the closing action (90+90=180°) seawater continually, water and dust tight, with 6mm compression, vibration proof with each 1 nut stainless steel 316/A4 M22 (cams & keys have to be ordered separately) in boxes of 12 Pcs.



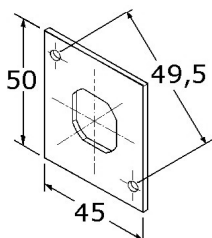
PIWAX key 650258 stainless steel 303/A2

- 653480 cam (no nock) SS-304/A2 0mm (fully flat)
- 653481 cam (no nock) SS-304/A2 -2/30mm & +2/34mm
- 653482 cam (no nock) SS-304/A2 -4/28mm & +4/36mm
- 653483 cam (no nock) SS-304/A2 -6/26mm & +6/38mm
- 653485 cam (no nock) SS-304/A2 -10/22mm +10/42mm
- 653486 cam (no nock) SS-304/A2 -12/20mm +12/44mm
- 653489 cam (no nock) SS-304/A2 -18/14mm +18/50mm
- 653491 cam (no nock) SS-304/A2 -22/10mm +22/54mm

different cams (thickness 4mm) for different situations:



latch + 653482      latch + 653481      latch + 653480      latch + 653481      latch + 653482

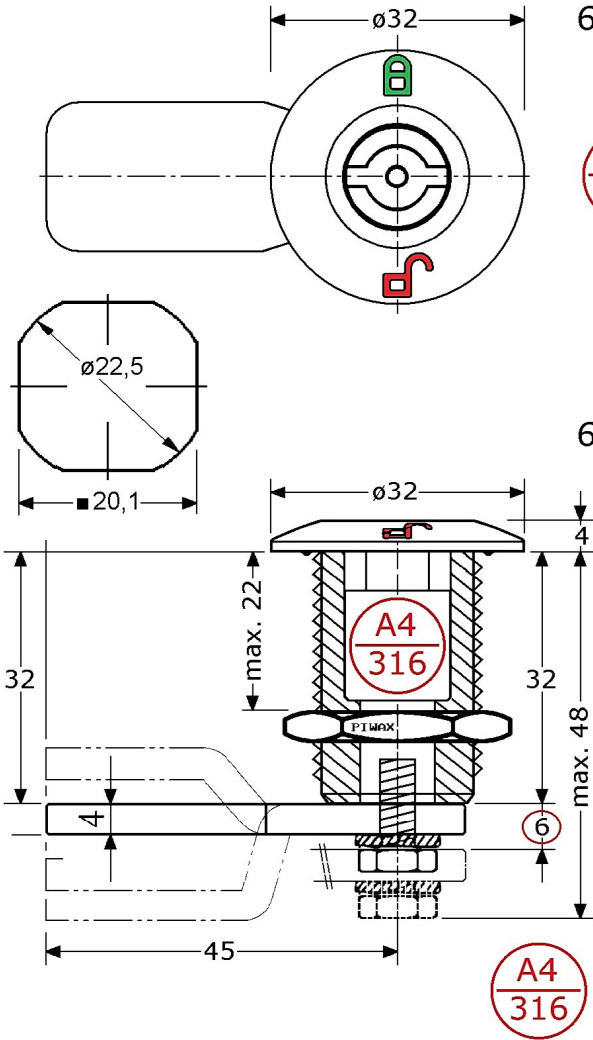


in stock we have mounting plates in stainless steel 316/A4 with 2 holes ø4mm (650293) or without holes (650295), see page GY-651a



**PIMEX B.V.**  
Coenecoop 131  
2741 PJ WADDINXVEEN (NL)  
Tel. (31) 182 - 61 11 66  
Email: info@pimex.nl



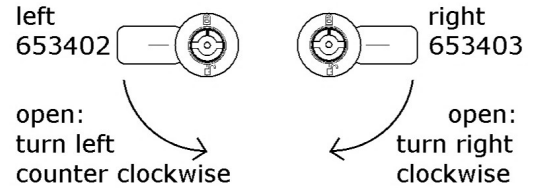


653402

PIWAX quarter-turn compression latches, LEFT stainless steel 316/A4 front mirror polished, with double bit ø3mm body length 32mm, for maximum 22mm plate front with marked arrow and red/green indication close: 1th 90° rotation of cam to close position, then the 2th 90° will pull the cam towards the frame open: reversed of the closing action (90+90=180°) seawater continually, water and dust tight, with 6mm compression, vibration proof with each 1 nut stainless steel 316/A4 M22 (cams & keys have to be ordered separately) in boxes of 50 Pcs.

653403

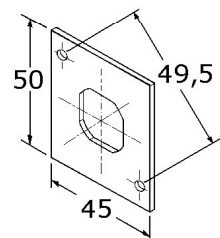
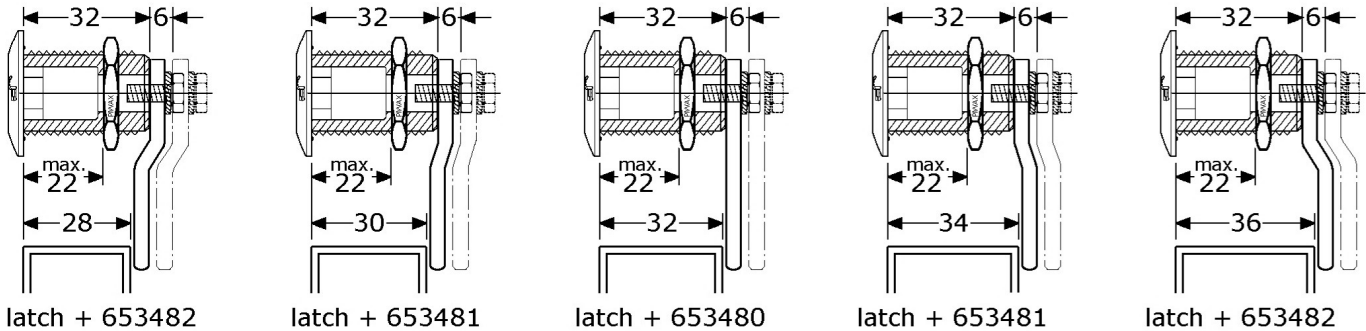
PIWAX quarter-turn compression latches, RIGHT stainless steel 316/A4 front mirror polished, with double bit ø3mm body length 32mm, for maximum 22mm plate front with marked arrow and red/green indication close: 1th 90° rotation of cam to close position, then the 2th 90° will pull the cam towards the frame open: reversed of the closing action (90+90=180°) seawater continually, water and dust tight, with 6mm compression, vibration proof with each 1 nut stainless steel 316/A4 M22 (cams & keys have to be ordered separately) in boxes of 50 Pcs.



652014 key zinc alloy nickel plated PIWAX key for double bit ø3mm

different cams (thickness 4mm) for different situations:

- 653480 cam (no nock) SS-304/A2 0mm (fully flat)
- 653481 cam (no nock) SS-304/A2 -2/30mm & +2/34mm
- 653482 cam (no nock) SS-304/A2 -4/28mm & +4/36mm
- 653483 cam (no nock) SS-304/A2 -6/26mm & +6/38mm
- 653485 cam (no nock) SS-304/A2 -10/22mm +10/42mm
- 653486 cam (no nock) SS-304/A2 -12/20mm +12/44mm
- 653489 cam (no nock) SS-304/A2 -18/14mm +18/50mm
- 653491 cam (no nock) SS-304/A2 -22/10mm +22/54mm



in stock we have mounting plates in stainless steel 316/A4 with 2 holes ø4mm (650293) or without holes (650295), see page GY-651a

A4 316



PIWAX B.V.  
Coenecoop 131  
2741 PJ WADDINXVEEN (NL)  
Tel. (31) 182 - 61 11 66  
Email: info@pimex.nl