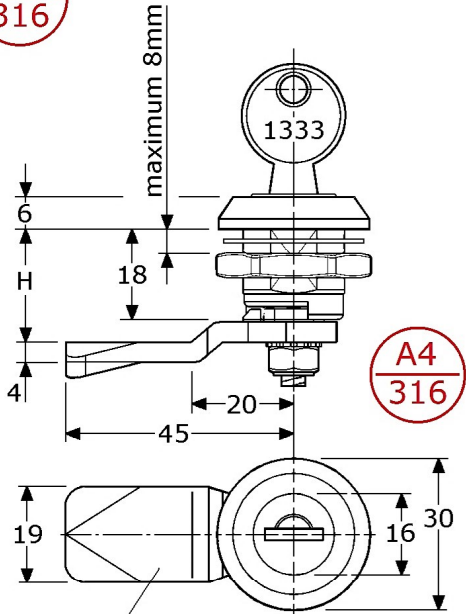


647232

PIWAX cylinder lock, body length 18mm
 stainless steel 316/A4/1.4401
 for use door thickness 1-8mm
 stainless steel 316/A4 5-disc tumblers cylinder
 with each 2 steel nickel keys, key different
 in closed&open position is the key removable
 with each 1 black packing/gasket $\varnothing 28 \times 0,8 \text{mm}$
 with each 1 nut stainless steel M22
 for LH and RH assembly and usable as down lock
 hole pattern #20,1mm/ $\varnothing 22,5 \text{mm}$
 backside #8x8mm with bolt M6
 for 90° action limited (using cam with nock)
 (cams to be ordered separately)
 mounting: a complete assembled latch can be
 pushed through the hole in the door
 in boxes of 6 Pcs.

A4
316

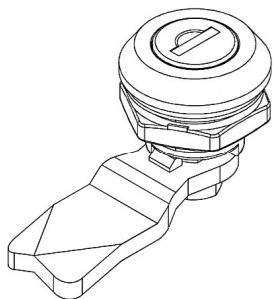
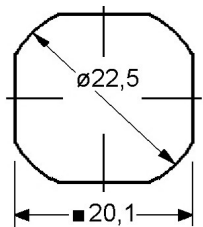


(cams to be ordered separately)

647233

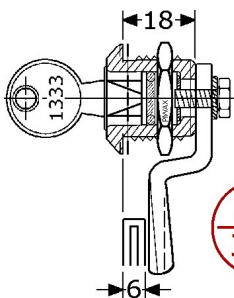
PIWAX cylinder lock, body length 18mm
 stainless steel 316/A4/1.4401
 for use door thickness 1-8mm
 stainless steel 316/A4 5-disc tumblers cylinder
 with each 2 steel nickel keys, key alike (code 1333)
 in closed&open position is the key removable
 with each 1 black packing/gasket $\varnothing 28 \times 0,8 \text{mm}$
 with each 1 nut stainless steel M22
 for LH and RH assembly and usable as down lock
 hole pattern #20,1mm/ $\varnothing 22,5 \text{mm}$
 backside #8x8mm with bolt M6
 for 90° action limited (using cam with nock)
 (cams to be ordered separately)
 mounting: a complete assembled latch can be
 pushed through the hole in the door
 in boxes of 6 Pcs.

A4
316



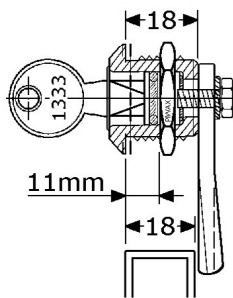
- | | | | |
|--------|-----------|---------------------|--------------|
| 650279 | PIWAX cam | (316/A4) -12mm back | (18-12=6mm) |
| 650310 | PIWAX cam | (304/A2) -8mm back | (18-8=10mm) |
| 650314 | PIWAX cam | (304/A2) -4mm back | (18-4=14mm) |
| 650280 | PIWAX cam | (316/A4) 0mm flat | (18+0=18mm) |
| 650281 | PIWAX cam | (316/A4) +4mm | (18+4=22mm) |
| 650324 | PIWAX cam | (304/A2) +6mm | (18+6=24mm) |
| 650326 | PIWAX cam | (304/A2) +8mm | (18+8=26mm) |
| 650282 | PIWAX cam | (316/A4) +10mm | (18+10=28mm) |
| 650330 | PIWAX cam | (304/A2) +12mm | (18+12=30mm) |
| 650332 | PIWAX cam | (304/A2) +14mm | (18+14=32mm) |

different cams (thickness 4mm) for
 different situations:

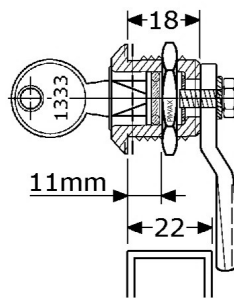


lock+650279

A4
316

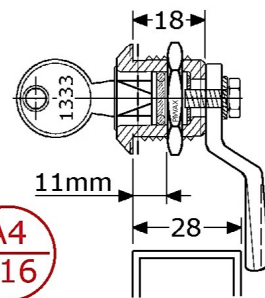


lock+650280



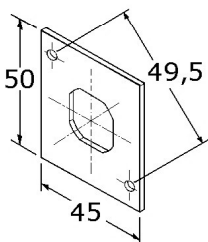
lock+650281

A4
316



lock+650282

A4
316

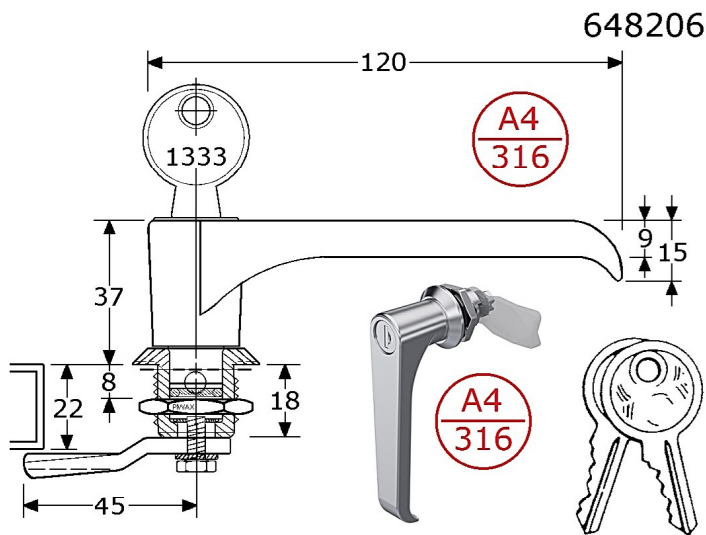


in stock we have
 mounting plates in
 stainless steel 316/A4
 with 2 holes $\varnothing 4 \text{mm}$ (650293)
 or without holes (650295),
 see page GY-651a

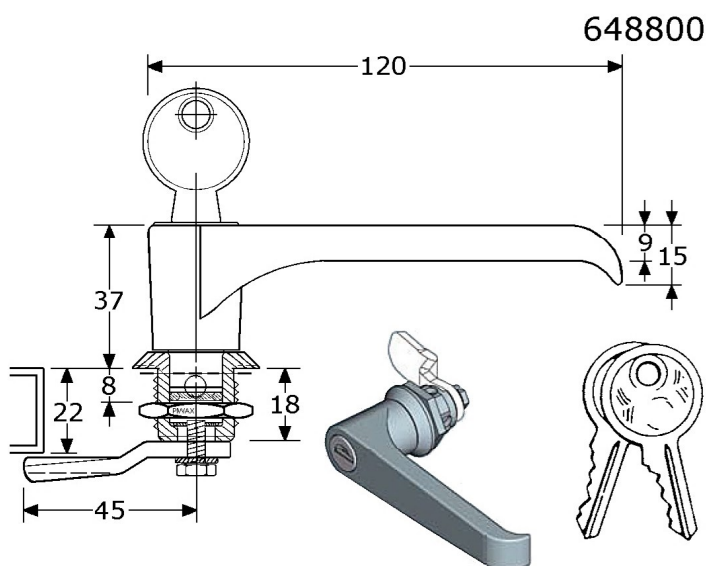
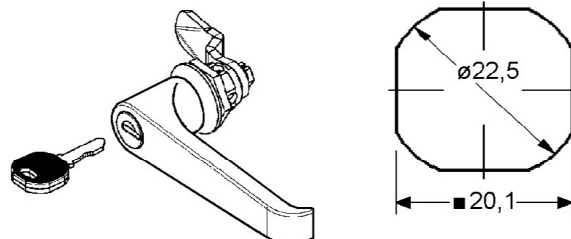
A4
316



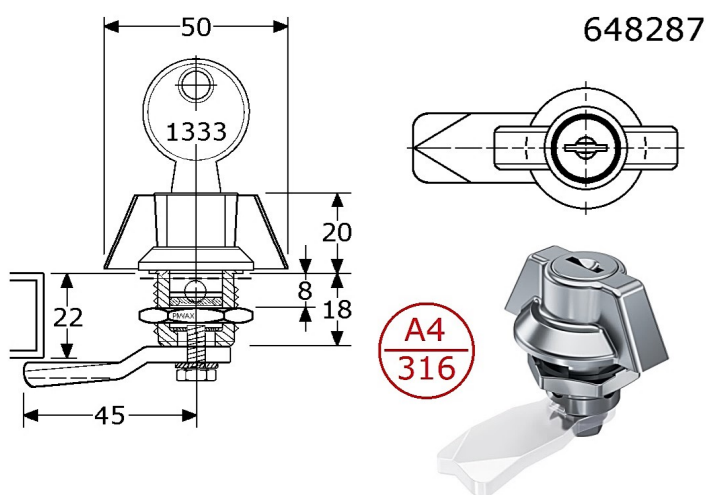
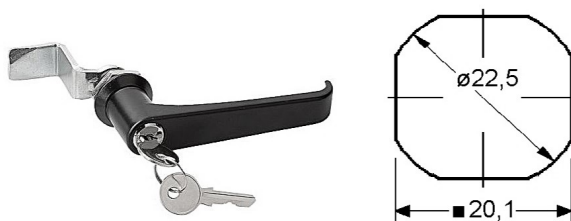
PIWAX B.V.
 Coenecoop 131
 2741 PJ WADDINXVEEN (NL)
 Tel. (31) 182 - 61 11 66
 Email: info@pimex.nl



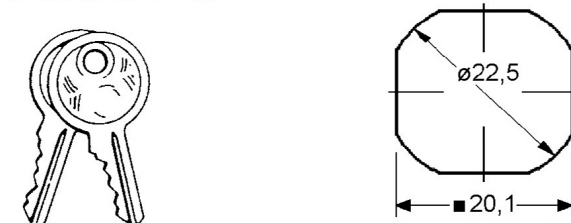
648206
 PIWAX "L"-handle length 120mm, with cylinder stainless steel 316/A4 satin polished
 body length 18mm, for maximum 8mm plate with brass nickel cylinder
 with each 2 steel nickel keys, key alike (code 1333) in closed&open position is the key removable
 with each 1 black packing/gasket $\varnothing 28 \times 0,8$ mm with each 1 nut stainless steel M22
 backside: #8x8mm, for 90° action limited (cams have to be ordered separately)
 in boxes of 6 Pcs.



648800
 PIWAX "L"-handle black polyamid L=120mm with black zinc alloy body
 body length 18mm, for maximum 8mm plate with brass nickel cylinder
 with each 2 steel nickel keys, key alike (code 1333) in closed&open position is the key removable
 with each 1 black packing/gasket $\varnothing 28 \times 0,8$ mm with each 1 nut steel zinc plated M22
 backside: #8x8mm, for 90° action limited (cams have to be ordered separately)
 in boxes of 6 Pcs.



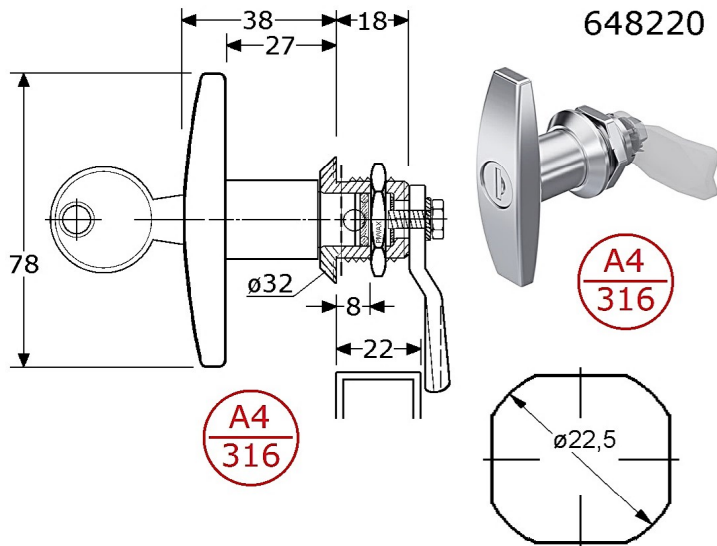
648287
 PIWAX wing handle 50mm, with cylinder stainless steel 316/A4 satin polished
 body length 18mm, for maximum 8mm plate with brass nickel cylinder
 with each 2 steel nickel keys, key alike (code 1333) in closed&open position is the key removable
 with each 1 black packing/gasket $\varnothing 28 \times 0,8$ mm with each 1 nut stainless steel M22
 backside: #8x8mm, for 90° action limited (cams have to be ordered separately)
 in boxes of 6 Pcs.



to get to a nut #8mm which is deeper, PIMEX has a special square spindle (839287) out of stainless steel 316/A4 #8x50/58mm with M6 at the end

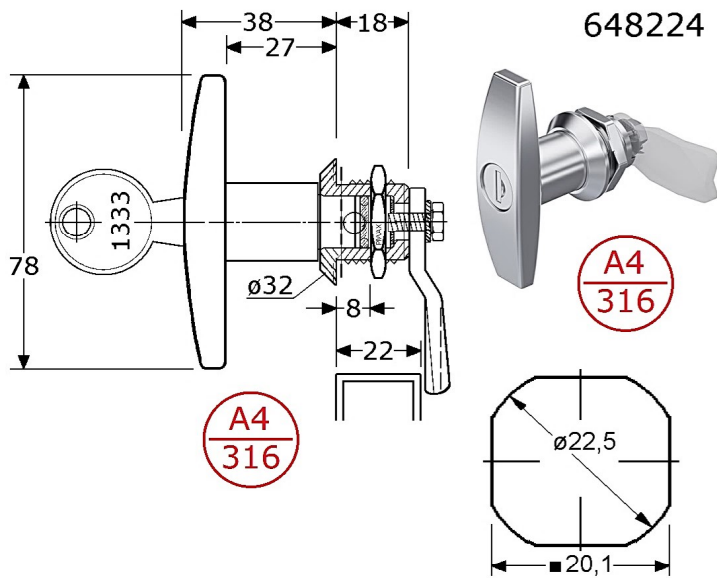
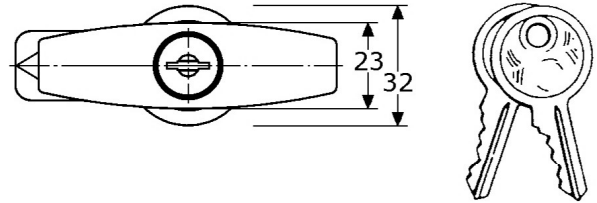


PIMEX B.V.
 Coenecoop 131
 2741 PJ WADDINXVEEN (NL)
 Tel. (31) 182 - 61 11 66
 Email: info@pimex.nl



648220

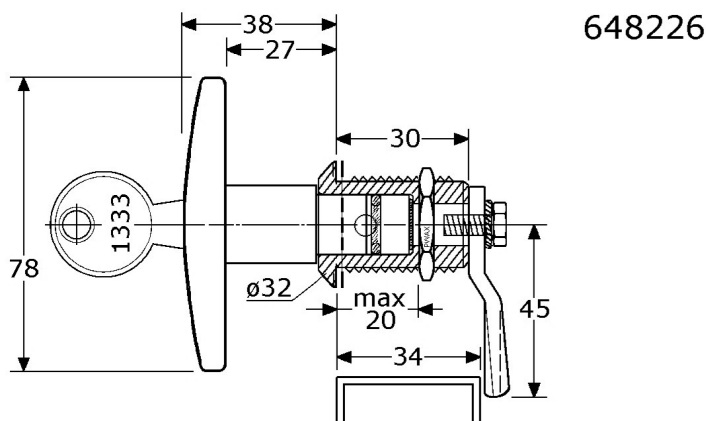
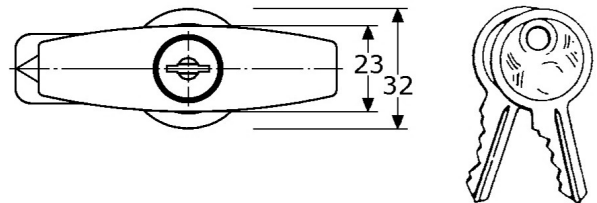
PIWAX "T"-handle 78mm, with brass nickel cylinder stainless steel 316/A4 satin polished body length 18mm, for maximum 8mm plate with each 2 steel nickel keys, key different in closed&open position is the key removable with each 1 black packing/gasket $\varnothing 28 \times 0,8$ mm with each 1 nut stainless steel M22 backside: #8x8mm, for 90° action limited (cams have to be ordered separately) in boxes of 6 Pcs.



648224

PIWAX "T"-handle 78mm, with brass nickel cylinder stainless steel 316/A4 satin polished body length 18mm, for maximum 8mm plate with each 2 steel nickel keys, key alike (code 1333) in closed&open position is the key removable with each 1 black packing/gasket $\varnothing 28 \times 0,8$ mm with each 1 nut stainless steel M22 backside: #8x8mm, for 90° action limited (cams have to be ordered separately) in boxes of 6 Pcs.

also possible: - zinc alloy chrome plated (648123)



648226

PIWAX "T"-handle 78mm, with brass nickel cylinder stainless steel 304/A2 satin polished body length 30mm, for maximum 20mm plate with each 2 steel nickel keys, key alike (code 1333) in closed&open position is the key removable with each 1 black packing/gasket $\varnothing 28 \times 0,8$ mm with each 1 nut stainless steel M22 backside: #8x8mm, for 90° action limited (cams have to be ordered separately) in boxes of 6 Pcs.



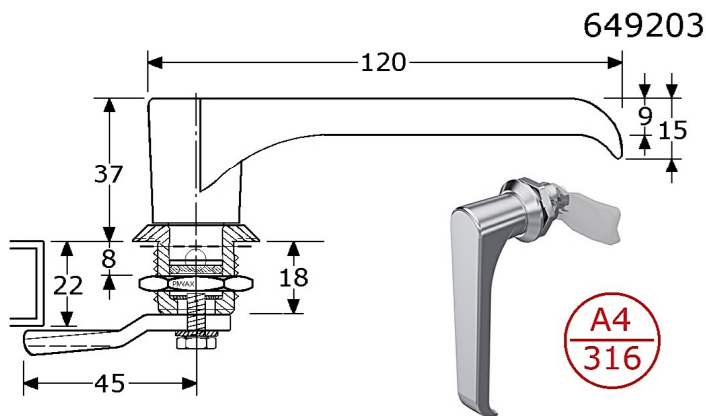
to get to a nut #8mm which is deeper, PIMEX has a special square spindle (839287) out of stainless steel 316/A4 #8x50/58mm with M6 at the end



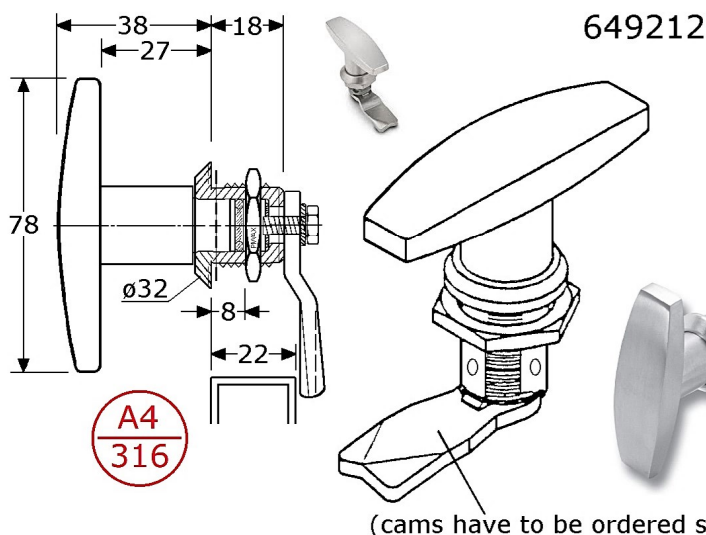
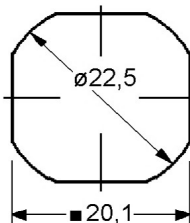
839287



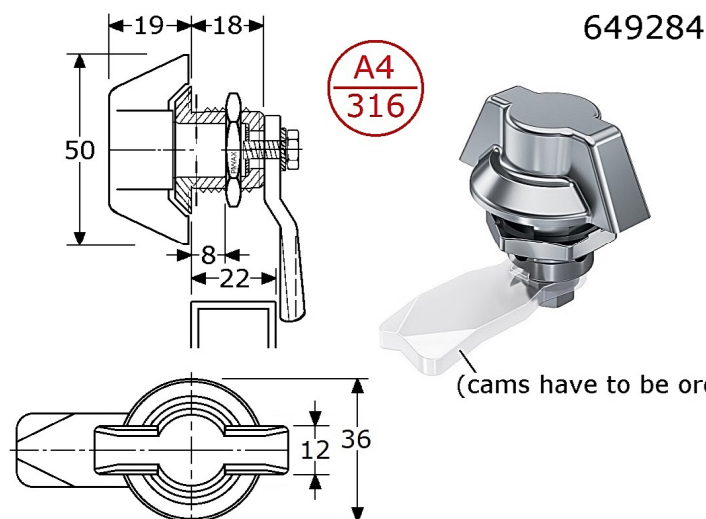
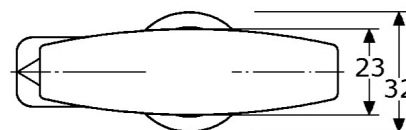
PIMEX B.V.
Coenecoop 131
2741 PJ WADDINXVEEN (NL)
Tel. (31) 182 - 61 11 66
Email: info@pimex.nl



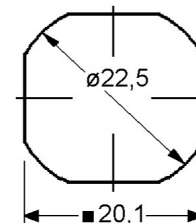
PIWAX "L"-handle length 120mm
 stainless steel 316/A4 satin polished
 body length 18mm, for maximum 8mm plate
 highness "L"-handle 37mm (without cylinder)
 with each 1 black packing/gasket $\varnothing 28 \times 0,8$ mm
 with each 1 nut stainless steel 316/A4 M22
 backside: #8x8mm, for 90° action limited
 (cams have to be ordered separately)
 in boxes of 6 Pcs.



PIWAX "T"-handle 78mm
 stainless steel 316/A4 satin polished
 body length 18mm, for maximum 8mm plate
 highness "T"-handle 38mm (without cylinder)
 with each 1 black packing/gasket $\varnothing 28 \times 0,8$ mm
 with each 1 nut stainless steel 316/A4 M22
 backside: #8x8mm, for 90° action limited
 (cams have to be ordered separately)
 in boxes of 6 Pcs.



PIWAX wing handle 50mm
 stainless steel 316/A4 satin polished
 body length 18mm, for maximum 8mm plate
 highness wing handle only 20mm (without cylinder)
 with each 1 black packing/gasket $\varnothing 28 \times 0,8$ mm
 with each 1 nut stainless steel 316/A4 M22
 backside: #8x8mm, for 90° action limited
 (cams have to be ordered separately)
 in boxes of 6 Pcs.

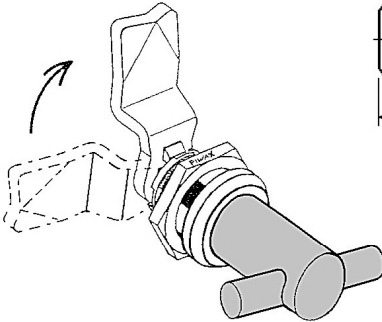
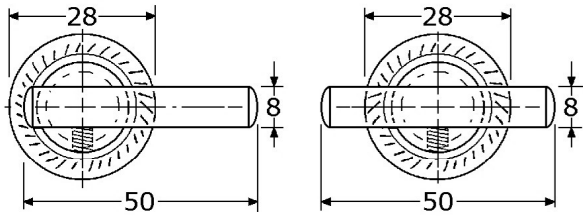


to get to a nut #8mm which is deeper, PIMEX has a special square spindle (839287) out of stainless steel 316/A4 #8x50/58mm with M6 at the end



PIMEX B.V.
 Coenecoop 131
 2741 PJ WADDINXVEEN (NL)
 Tel. (31) 182 - 61 11 66
 Email: info@pimex.nl

PIWAX LATCHES WITH KNOB, stainless steel

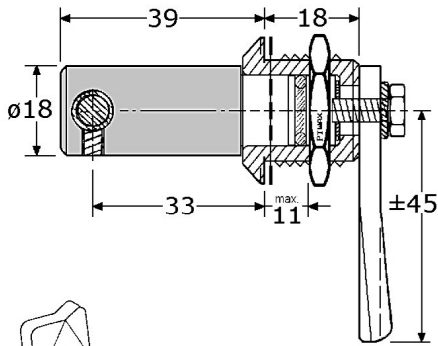


650261

complete stainless steel latches with knob/handle
 stainless steel 316/A4/1.4401
 with each inside 2 EPDM "O"-ring (better than IP65)
 seawater continually, water and dust tight
 with each 1 black packing/gasket $\varnothing 28 \times 0,8 \text{mm}$
 with each 1 nut stainless steel 316/A4 M22

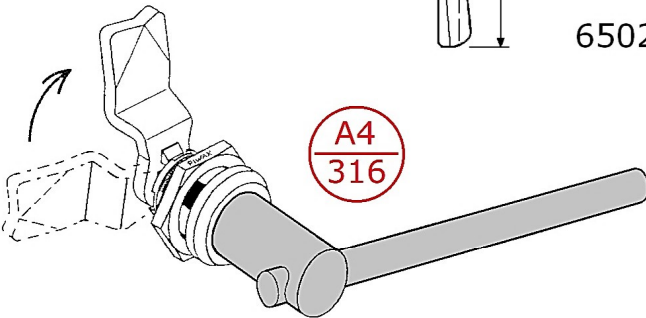
 for LH and RH assembly and usable as down lock
 backside: #8x8mm, for 90° action limited
 hole pattern #20,1mm/ $\varnothing 22,5 \text{mm}$
 mounting: a completely assembled latch can be
 pushed through the hole in the door

PIWAX latch L=18mm with T-handle $\varnothing 8 \times 50 \text{mm}$
 stainless steel 316/A4/1.4401
 seawater continually, with double "O"-ring
 short type, body length 18mm
 inside part out of 1 short piece (no loose adapters !!)
 for use door thickness 1-11mm
 backside: #8x8mm (cams to be ordered separately)
 in boxes of 12 Pcs.



650262

PIWAX latch L=18mm with handle $\varnothing 8 \times 125 \text{mm}$
 stainless steel 316/A4/1.4401
 seawater continually, with double "O"-ring
 short type, body length 18mm
 inside part out of 1 short piece (no loose adapters !!)
 for use door thickness 1-11mm
 backside: #8x8mm (cams to be ordered separately)
 in boxes of 12 Pcs.



650263

PIWAX latch L=18mm with handle $\varnothing 8 \times 145 \text{mm}$
 stainless steel 316/A4/1.4401
 seawater continually, with double "O"-ring
 short type, body length 18mm
 inside part out of 1 short piece (no loose adapters !!)
 for use door thickness 1-11mm
 backside: #8x8mm (cams to be ordered separately)
 in boxes of 12 Pcs.

different cams (thickness 4mm) for
 different situations:

650279

PIWAX cam stainless steel 316 -12mm ($18-12=6$)

650280

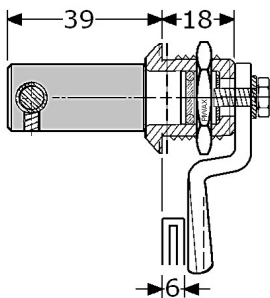
PIWAX cam stainless steel 316 0mm ($18+0=18$)

650281

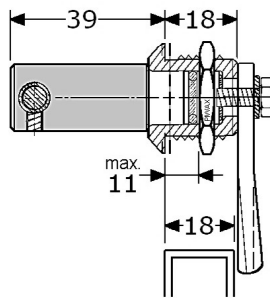
PIWAX cam stainless steel 316 +4mm ($18+4=22$)

650282

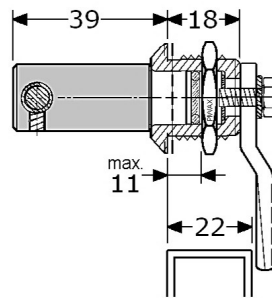
PIWAX cam stainless steel 316 +10mm ($18+10=28$)



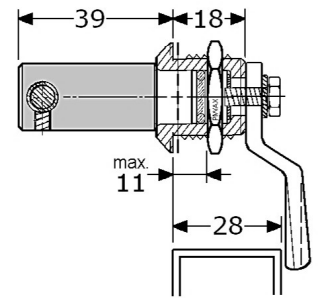
65026. +650279



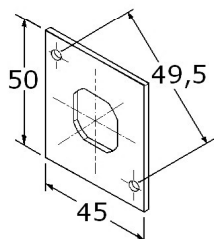
65026. +650280



65026. +650281



65026. +650282

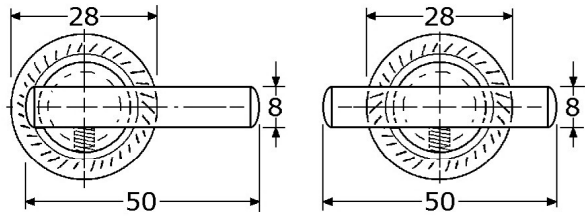


in stock we have
 mounting plates in
 stainless steel 316/A4
 with 2 holes $\varnothing 4 \text{mm}$ (650293)
 or without holes (650295),
 see page GY-651a



PIMEX B.V.
 Coenecoop 131
 2741 PJ WADDINXVEEN (NL)
 Tel. (31) 182 - 61 11 66
 Email: info@pimex.nl

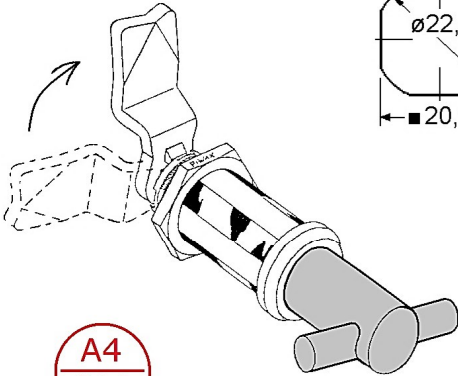
PIWAX LATCHES WITH KNOB, stainless steel



A4
316

complete stainless steel latches with knob/handle
 stainless steel 316/A4/1.4401
 with each inside 2 EPDM "O"-ring (better than IP65)
 seawater continually, water and dust tight
 with each 1 black packing/gasket $\varnothing 28 \times 0,8 \text{mm}$
 with each 1 nut stainless steel 316/A4 M22

for LH and RH assembly and usable as down lock
 backside: #8x8mm (cams to be ordered separately)
 hole pattern #20,1mm/ $\varnothing 22,5 \text{mm}$
 mounting: cams assembling after pushing the
 latch through the hole in the door



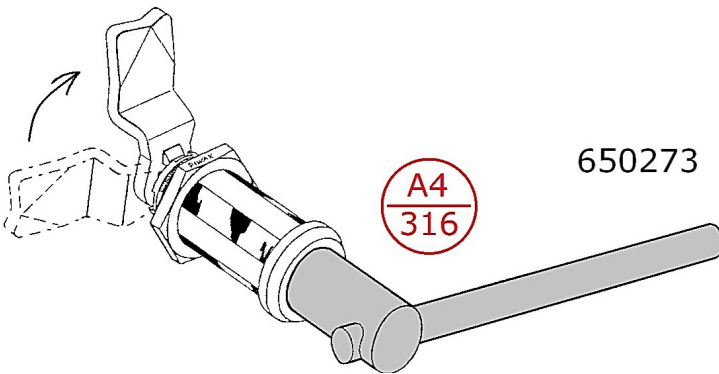
A4
316

650271

PIWAX latch L=50mm with T-handle $\varnothing 8 \times 50 \text{mm}$
 stainless steel 316/A4/1.4401
 seawater continually, with double "O"-ring
 long type, body length 50mm
 inside part out of 1 long piece (no loose adapters !!)
 for use door thickness 1-42mm
 backside: #8x8mm (cams to be ordered separately)
 in boxes of 12 Pcs.

650272

PIWAX latch L=50mm with handle $\varnothing 8 \times 125 \text{mm}$
 stainless steel 316/A4/1.4401
 seawater continually, with double "O"-ring
 long type, body length 50mm
 inside part out of 1 long piece (no loose adapters !!)
 for use door thickness 1-42mm
 backside: #8x8mm (cams to be ordered separately)
 in boxes of 12 Pcs.



A4
316

650273

PIWAX latch L=50mm with handle $\varnothing 8 \times 145 \text{mm}$
 stainless steel 316/A4/1.4401
 seawater continually, with double "O"-ring
 long type, body length 50mm
 inside part out of 1 long piece (no loose adapters !!)
 for use door thickness 1-42mm
 backside: #8x8mm (cams to be ordered separately)
 in boxes of 12 Pcs.

650279

PIWAX cam stainless steel 316 -12mm (50-12=38)

650280

PIWAX cam stainless steel 316 0mm (50+0=50)

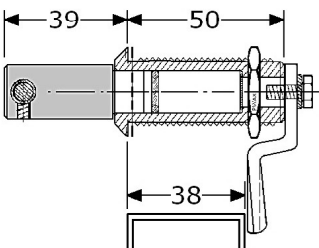
650281

PIWAX cam stainless steel 316 +4mm (50+4=54)

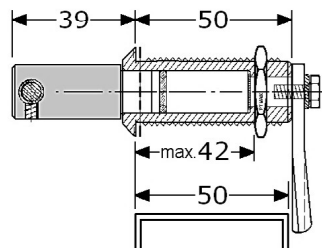
650282

PIWAX cam stainless steel 316 +10mm (50+10=60)

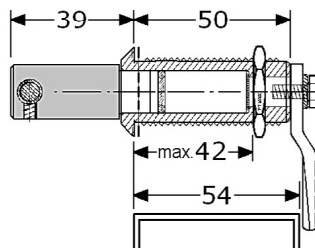
different cams (thickness 4mm) for
 different situations:



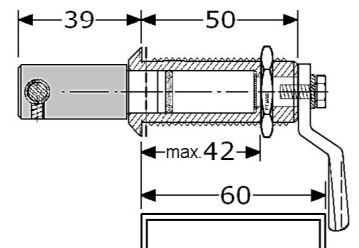
65027. +650279



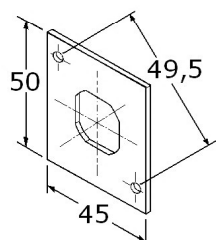
65027. +650280



65027. +650281



65027. +650282



in stock we have
 mounting plates in
 stainless steel 316/A4
 with 2 holes $\varnothing 4 \text{mm}$ (650293)
 or without holes (650295),
 see page GY-651a

A4
316



PIMEX B.V.
 Coenecoop 131
 2741 PJ WADDINXVEEN (NL)
 Tel. (31) 182 - 61 11 66
 Email: info@pimex.nl