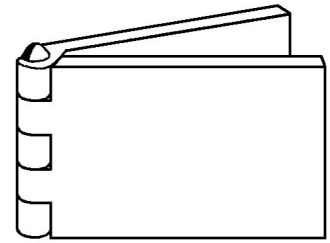
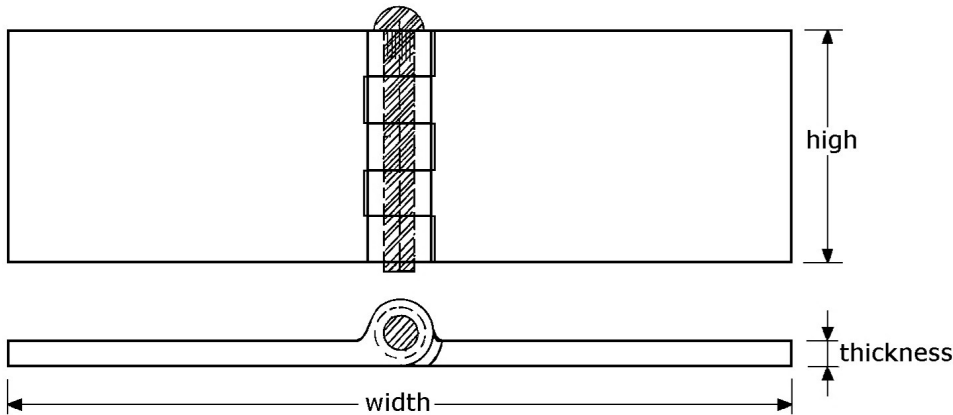


WELD-ON HINGES, steel



heavy duty solid butt weld-on hinges out of mild steel
with loose steel milled edge pin
flat, without screwholes (attention: widthness = total widthness !!!)

	high	x	width	x	thickness	profile/knuckles	loose pin	in boxes of
442004	40	x	80	x	3mm	5-knuckles ø8mm	4mm steel	20
442010	30	x	60	x	5mm	5-knuckles ø12mm	6mm steel	20
442011	30	x	120	x	5mm	5-knuckles ø12mm	6mm steel	20
442017	40	x	200	x	5mm	5-knuckles ø12mm	6mm steel	20
442038	50	x	200	x	6mm	5-knuckles ø15mm	8mm steel	10
442042	60	x	200	x	6mm	5-knuckles ø15mm	8mm steel	10
442049	80	x	160	x	6mm	7-knuckles ø15mm	8mm steel	10
442054	100	x	200	x	6mm	7-knuckles ø15mm	8mm steel	10
442067	80	x	300	x	7mm	7-knuckles ø16mm	8mm steel	10
442069	100	x	200	x	7mm	7-knuckles ø16mm	8mm steel	10
442070	50	x	200	x	8mm	5-knuckles ø18mm	8mm steel	10
442075	100	x	220	x	10mm	5-knuckles ø26mm	13mm steel	10

heavy duty solid butt weld-on hinges out of mild steel
with loose steel milled edge pin with steel grease nipple
flat, without screwholes (attention: widthness = total widthness !!!)

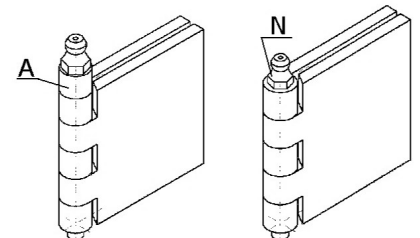
	high	x	width	x	thickness	profile/knuckles	pin + grease nipple	in boxes of
442149	80	x	160	x	6mm	7-knuckles ø15mm	8mm steel + nipple (N)	10
442154	100	x	200	x	6mm	7-knuckles ø15mm	8mm steel + nipple (N)	50
442167	80	x	300	x	7mm	7-knuckles ø16mm	8mm steel + nipple (N)	10
442169	100	x	200	x	7mm	7-knuckles ø16mm	8mm steel + nipple (N)	50
442175	100	x	220	x	10mm	5-knuckles ø26mm	13mm steel + nipple (N)	10

- on request also other measures with steel grease nipple:
(for 6mm pin: with steel grease nipple type A)
(for 8/13mm pin: with steel grease nipple type N)

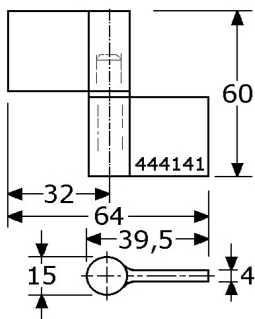
- heavy duty hinges in stainless steel
like 100x125x5mm or 100x220x3mm or 150x180x3mm,
50x200x5mm or 80x200x5mm,
see pages GY-341b & GY-342a and GY-342b

- aluminium butt hinges,
see page GF-454

- door hinges in stainless steel
or steel, thickness 10mm,
see pages GY-398b & GY-398c

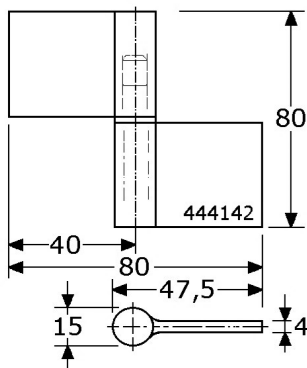


PIMEX B.V.
Coenecoop 131
2741 PJ WADDINXVEEN (NL)
Tel. (31) 182 - 61 11 66
Email: info@pimex.nl



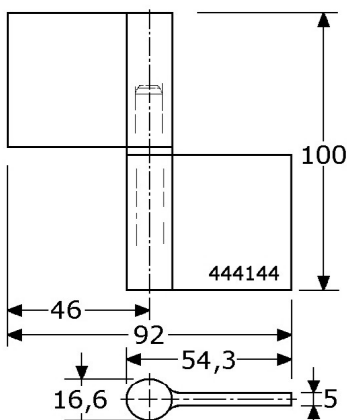
444141

solid profile flag hinge, high 60mm
 steel centre profile, knuckle $\varnothing 15\text{mm}$, unpolished
 lift-off, with steel pin $\varnothing 9\text{mm}$ fixed in underpart
 centre leaves with thickness 4mm, LH/RH
 total width 64mm (leaf+knuckle width 39,5mm)
 with fixed brass washer $\varnothing 16 \times 2\text{mm}$
 only in boxes of 10 Pcs.



444142

solid profile flag hinge, high 80mm
 steel centre profile, knuckle $\varnothing 15\text{mm}$, unpolished
 lift-off, with steel pin $\varnothing 9\text{mm}$ fixed in underpart
 centre leaves with thickness 4mm, LH/RH
 total width 80mm (leaf+knuckle width 47,5mm)
 with fixed brass washer $\varnothing 16 \times 2\text{mm}$
 only in boxes of 10 Pcs.



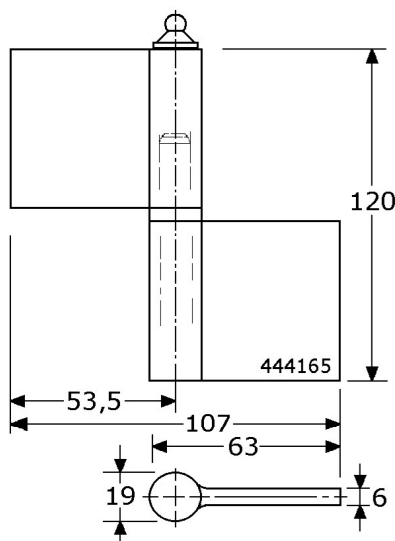
444144

solid profile flag hinge, high 100mm
 steel centre profile, knuckle $\varnothing 16,6\text{mm}$, unpolished
 lift-off, with steel pin $\varnothing 10\text{mm}$ fixed in underpart
 centre leaves with thickness 5mm, LH/RH
 total width 92mm (leaf+knuckle width 54,3mm)
 with fixed brass washer $\varnothing 16 \times 2\text{mm}$
 only in boxes of 20 Pcs. (delivery on request)



444145

solid profile flag hinge, high 120mm
 steel centre profile, knuckle $\varnothing 19\text{mm}$, unpolished
 lift-off, with steel pin $\varnothing 11\text{mm}$ fixed in underpart
 centre leaves with thickness 6mm, LH/RH
 total width 107mm (leaf+knuckle width 63mm)
 with fixed brass washer $\varnothing 20 \times 3\text{mm}$
 only in boxes of 10 Pcs.

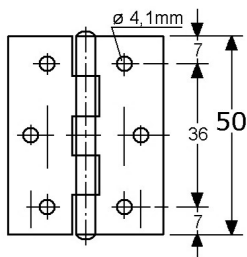


444165

solid profile flag hinge, high 120mm
 steel centre profile, knuckle $\varnothing 19\text{mm}$, unpolished
 lift-off, with steel pin $\varnothing 11\text{mm}$ fixed in underpart
 with oil canal & steel grease/lubricating nipple M6
 centre leaves with thickness 6mm, LH/RH
 total width 107mm (leaf+knuckle width 63mm)
 with fixed brass washer $\varnothing 20 \times 3\text{mm}$
 only in boxes of 10 Pcs.



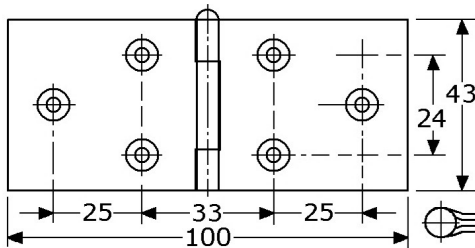
PIMEX B.V.
 Coenecoop 131
 2741 PJ WADDINXVEEN (NL)
 Tel. (31) 182 - 61 11 66
 Email: info@pimex.nl



441001

rolled hinges 50x40x1mm
steel zinc plated, 5-knuckles
flat surface mounting, with fixed steel pin $\varnothing 2,5$ mm
with 6 round screwholes $\varnothing 4,1$ mm
(minimum production quantity 5000 Pcs.)

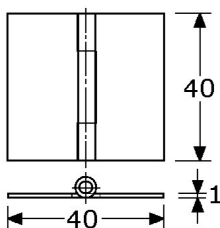
for hinges in stainless steel, see page GY-321a



440085

rolled hinges 43x100x2mm
steel zinc plated, 3-knuckles, swaged
with loose brass pin $\varnothing 4$ mm
with 6 countersunk screwholes (5mm/M5)
(minimum production quantity 5000 Pcs.)

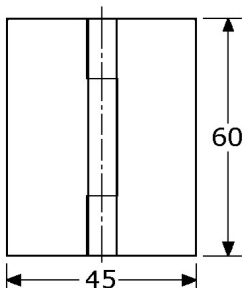
for hinges in stainless steel, see page GY-322a/b



443030

rolled hinges 40x40x1mm
steel zinc plated, 3-knuckles
flat surface mounting, with fixed steel pin $\varnothing 2,75$ mm
without screwholes
(in boxes of 100 Pcs.) directly out of our stock

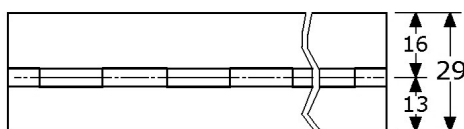
for hinges in stainless steel, see page GY-340b



443062

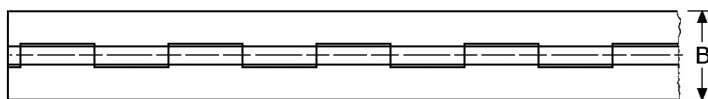
rolled hinges 60x45x2mm
steel zinc plated, 3-knuckles
flat surface mounting, with fixed steel pin $\varnothing 4$ mm
without screwholes
(in boxes of 50 Pcs.) directly out of our stock

for hinges in stainless steel, see page GY-340b

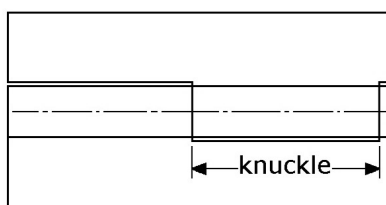


4458294B

piano hinges 29x1x420mm
steel unpolished, knuckles 15mm
flat surface mounting, with fixed steel pin $\varnothing 1,75$ mm
widthness 16+13=29mm
without screwholes
(minimum production quantity 1000 Pcs.)



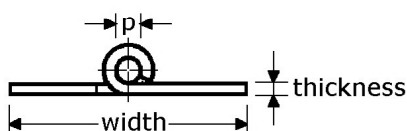
piano hinges, lengths of 3,5 meter:
in steel unpolished (like 45x2mm = 44514520)
delivery on request



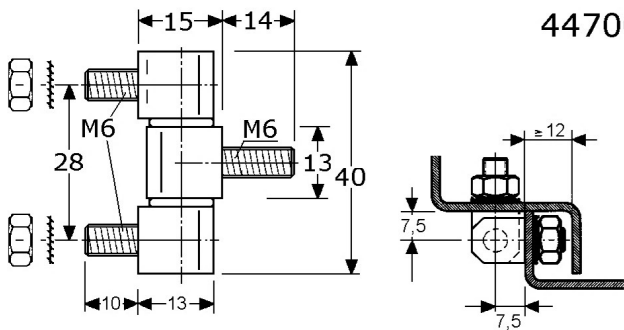
piano hinges in stainless steel 304/A2 and 316/A4,
in many sizes in stock, see page GY-350/351

piano hinges in aluminium (like 45516020),
some sizes in stock, see page GF-455

piano hinges in brass (like 43535015),
delivery on request



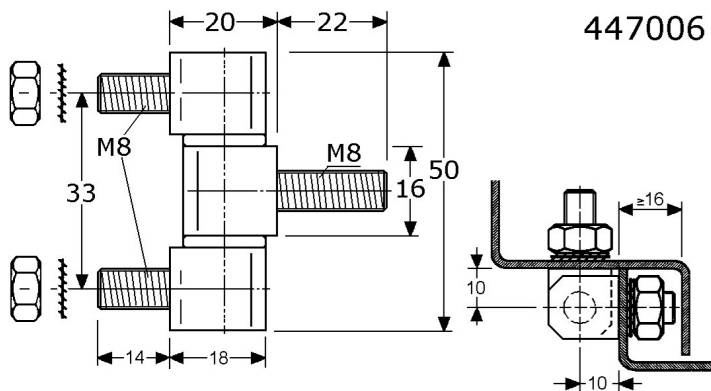
PIMEX B.V.
Coenecoop 131
2741 PJ WADDINXVEEN (NL)
Tel. (31) 182 - 61 11 66
Email: info@pimex.nl



447004

hinges high 40mm
 steel zinc plated, 3-knuckles
 profile #12x12mm, total highness 13mm
 surface mounting for metal offset doors
 with locked-up steel zinc plated pin \varnothing 6mm
 no left or right, maximum opening 180°
 screw-on from back: 3x bolt M6 (c.t.c. 28mm)
 in boxes of 20 Pcs. (delivery on request)

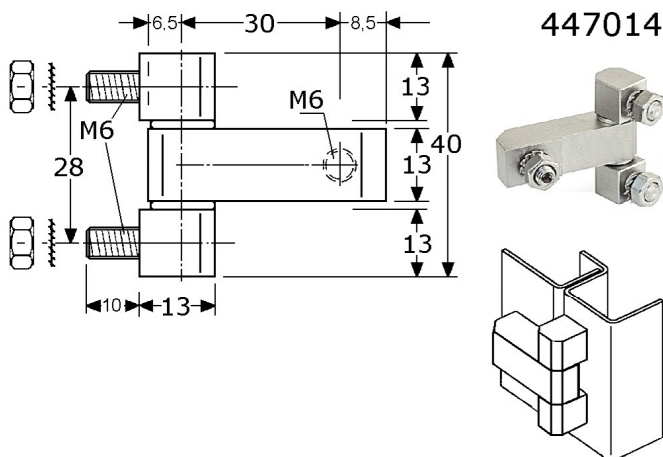
(for hinges in stainless steel, see page GY-390a)



447006

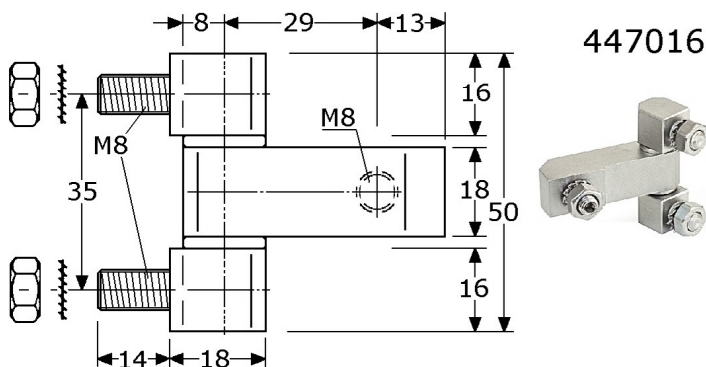
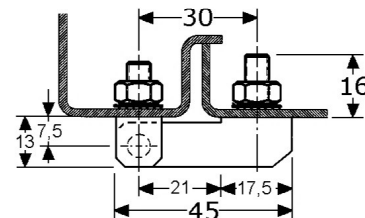
hinges high 50mm
 steel zinc plated, 3-knuckles
 profile #16x16mm, total highness 18mm
 surface mounting for metal offset doors
 with locked-up steel zinc plated pin \varnothing 8mm
 no left or right, maximum opening 180°
 screw-on from back: 3x bolt M8 (c.t.c. 33mm)
 in boxes of 20 Pcs. (delivery on request)

(for hinges in stainless steel, see page GY-390a)



447014

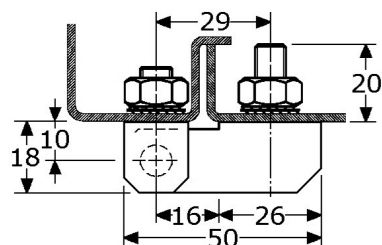
hinges high 40mm
 steel zinc plated, 3-knuckles
 profile #12x12mm, total highness 13mm
 flat mounting for metal doors
 middle part widthness 45mm (c.t.c. 30mm till pin)
 with locked-up steel zinc plated pin \varnothing 6mm
 no left or right, maximum opening 180°
 screw-on from back: 3x bolt M6 (c.t.c. 28mm)
 in boxes of 20 Pcs. (delivery on request)



447016

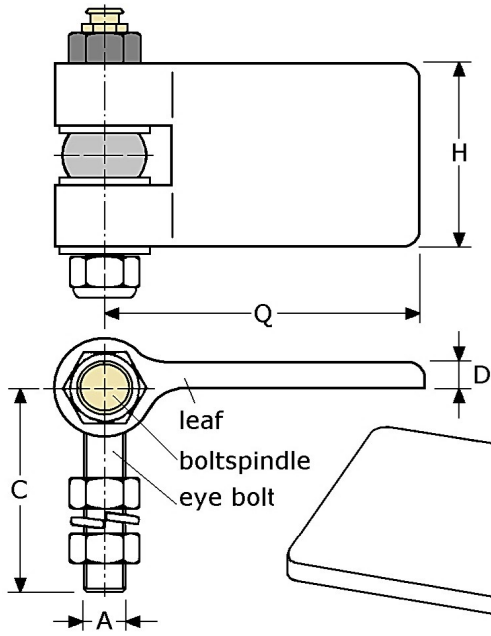
hinges high 50mm
 steel zinc plated, 3-knuckles
 profile #16x16mm, total highness 18mm
 flat mounting for metal doors
 middle part widthness 50mm (c.t.c. 29mm till pin)
 with locked-up steel zinc plated pin \varnothing 8mm
 no left or right, maximum opening 180°
 screw-on from back: 3x bolt M8 (c.t.c. 35mm)
 in boxes of 20 Pcs. (delivery on request)

(for hinges in stainless steel, see page GY-390a)



PIMEX B.V.
 Coenecoop 131
 2741 PJ WADDINXVEEN (NL)
 Tel. (31) 182 - 61 11 66
 Email: info@pimex.nl

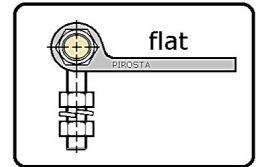
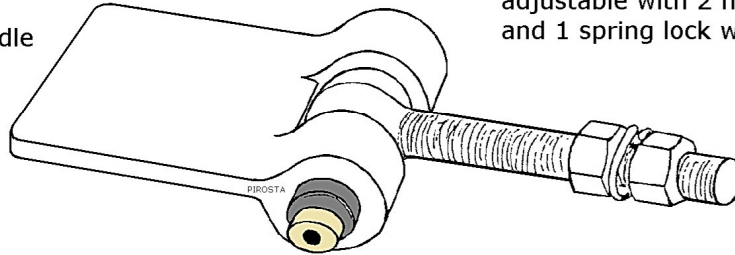
HEAVY DUTY HINGES, steel



heavy duty weld-on hinges
 steel, forged, unpolished
 thickness plate 10mm, centre type
 for maximum load 485 N/mm²

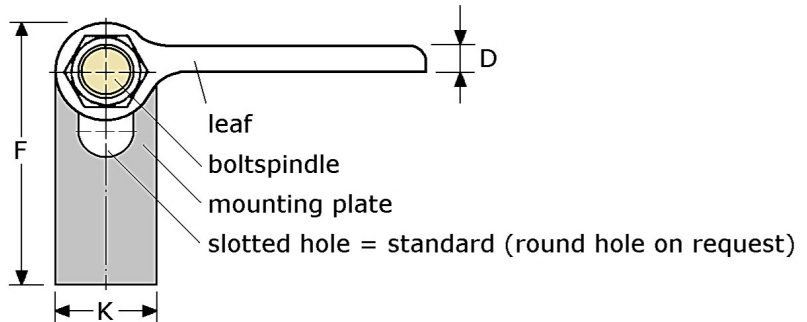
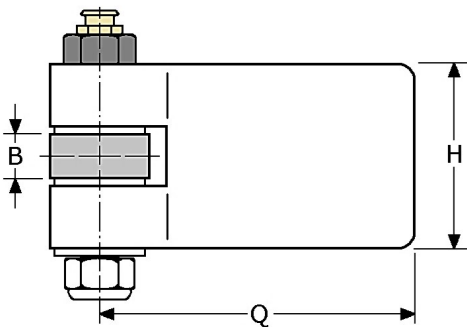
bolt spindle:
 stainless steel 316/A4 in $\varnothing 12\text{mm}$ or $\varnothing 18\text{mm}$
 with brass or stainless steel 316 grease nipple
 1 washer SS-316 + 2 washers SS-316 (big hole)
 with stainless steel 316 selflocking nut

heavy bolt for through mounting:
 adjustable with 2 nuts SS-316
 and 1 spring lock washer SS-316

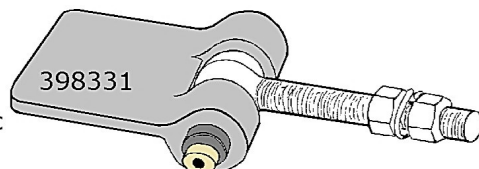


	quality	eye bolt A x C	M (mm)	leaf centre/flat HxQxD (mm)	boltspindle (mm)	with grease nipple	box
448849	steel	M 12x100	87	50x97x10mm centre	$\varnothing 12$	(without)	10
448850	steel	M 12x100	87	50x97x10mm centre	$\varnothing 12$	brass	10
448830	steel	M 12x100	87	50x97x10mm flat	$\varnothing 12$	brass	10
448852	steel	M 16x 80	58	70x122x10mm centre	$\varnothing 18$	brass	10
448832	steel	M 16x 80	58	70x122x10mm flat	$\varnothing 18$	brass	10
448854	steel	M 16x120	98	70x122x10mm centre	$\varnothing 18$	brass	10
448834	steel	M 16x120	98	70x122x10mm flat	$\varnothing 18$	brass	10
448856	steel	M 20x 80	55	70x122x10mm centre	$\varnothing 18$	brass	10
448836	steel	M 20x 80	55	70x122x10mm flat	$\varnothing 18$	brass	10
448858	steel	M 20x120	95	70x122x10mm centre	$\varnothing 18$	brass	10
448838	steel	M 20x120	95	70x122x10mm flat	$\varnothing 18$	brass	10

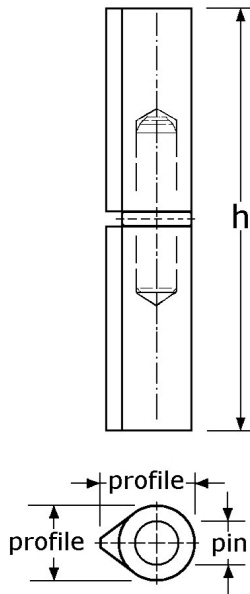
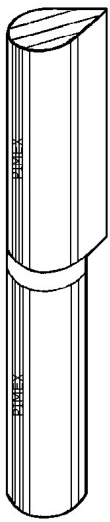
	quality	mounting plate F x K x B (mm)	leaf centre/flat HxQxD (mm)	boltspindle (mm)	with grease nipple	box
448860	steel	122x40x20mm	70x122x10mm centre	$\varnothing 18$	brass	10
448840	steel	122x40x20mm	70x122x10mm flat	$\varnothing 18$	brass	10



for stainless steel
 (3982../3983..),
 see page GY-398b+c



PIMEX B.V.
 Coenecoop 131
 2741 PJ WADDINXVEEN (NL)
 Tel. (31) 182 - 61 11 66
 Email: info@pimex.nl



weld-on hinges
out of steel profile
profile with welding point, top flat head
with fixed (in under part) steel pin
with massive brass washer

- 449010
- 449030
- 449011
- 449012
- 449014
- 449015
- 449016
- 449017
- 449018

high	profile	fixed pin	in boxes of
45mm	10x8mm	∅ 5mm steel	20 Pcs
45mm	10x8mm	5mm brass	25 Pcs
60mm	12x10mm	6mm steel	20 Pcs
80mm	16x13mm	7mm steel	25 Pcs
100mm	20x16mm	9mm steel	25 Pcs
120mm	20x16mm	9mm steel	20 Pcs
140mm	25x20mm	11mm steel	10 Pcs
160mm	25x20mm	12mm steel	10 Pcs
180mm	25x20mm	13mm steel	10 Pcs

for weld-on hinges in stainless steel, see page GY-348a

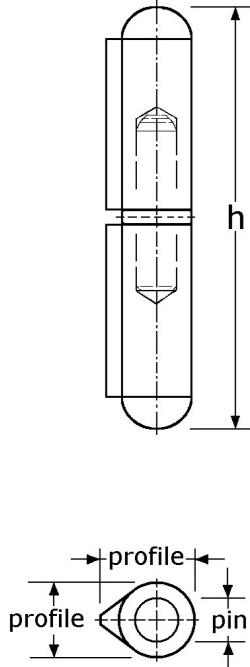
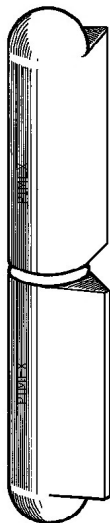


weld-on hinges
out of steel profile
profile with welding point, top rounded head
with fixed (in under part) brass pin
with massive brass washer

- 449061
- 449062
- 449064
- 449065
- 449067
- 449068
- 449069

high	profile	fixed pin	in boxes of
60mm	12x10mm	∅ 6mm brass	20 Pcs
80mm	16x13mm	8mm brass	20 Pcs
100mm	20x16mm	10mm brass	20 Pcs
120mm	20x16mm	10mm brass	20 Pcs
150mm	25x20mm	13mm brass	10 Pcs
180mm	25x20mm	14mm brass	10 Pcs
200mm	28x23mm	16mm brass	10 Pcs

for weld-on hinges in stainless steel, see page GY-348a



weld-on hinges
out of steel profile
profile with welding point, top rounded head
with fixed (in under part) steel or stainless steel pin
with massive brass washer

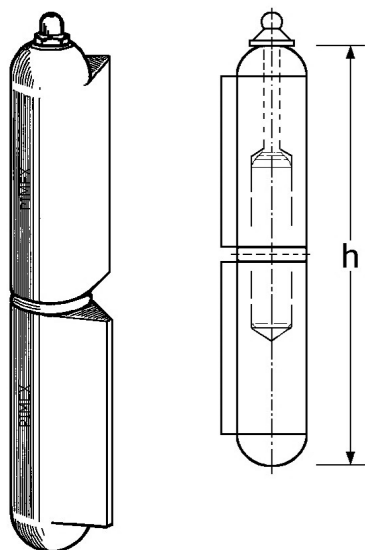
- 449042
- 449054
- 449048

high	profile	fixed pin	in boxes of
80mm	16x13mm	8mm steel	20 Pcs
100mm	20x16mm	10mm SS-303	25 Pcs
180mm	25x20mm	14mm steel	10 Pcs

for weld-on hinges in stainless steel, see page GY-348a

for weld-on hinges in stainless steel 316/A4,
see page GY-349a

for weld-on hinges in aluminium, see page GF-450

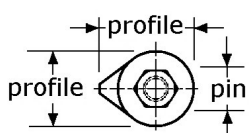


- 449072
- 449074
- 449075
- 449076
- 449077
- 449078
- 449079

weld-on hinges
out of steel profile with welding point, top rounded head
with oil canal & steel grease/lubricating nipple
with fixed (in under part) steel pin
with massive brass washer

high	profile	fixed pin	in boxes of
80mm	16x13mm	∅ 8mm steel	20 Pcs
100mm	20x16mm	10mm steel	20 Pcs
120mm	20x16mm	10mm steel	20 Pcs
135mm	22x18mm	12mm steel	10 Pcs
150mm	25x20mm	13mm steel	10 Pcs
180mm	25x20mm	14mm steel	10 Pcs
200mm	28x23mm	16mm steel	10 Pcs

for weld-on hinges in stainless steel, see page GY-348b

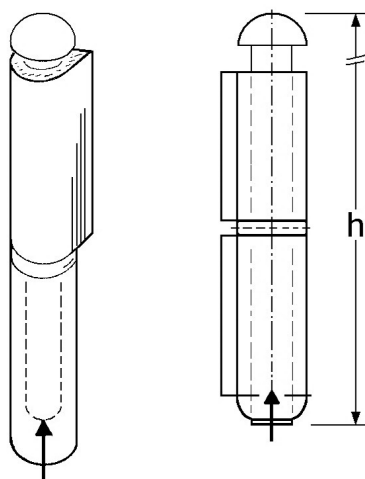


- 449092
- 449084
- 449094
- 449095
- 449097

weld-on hinges
out of steel profile with welding point, top rounded head
with oil canal & steel grease/lubricating nipple
with fixed (in under part) brass pin
with massive brass washer

high	profile	fixed pin	in boxes of
80mm	16x13mm	∅ 8mm brass	20 Pcs
100mm	20x16mm	10mm SS-303	20 Pcs
100mm	20x16mm	10mm brass	20 Pcs
120mm	20x16mm	10mm brass	20 Pcs
150mm	25x20mm	13mm brass	10 Pcs

for weld-on hinges in stainless steel, see page GY-348b

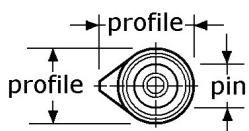


- 449141
- 449151
- 449161
- 449142
- 449165
- 449147
- 449167

weld-on hinges
out of steel profile
profile with welding point, top rounded head
with loose pin out of steel/ brass/ stainless steel
with massive brass washer

high	profile	fixed pin	in boxes of
60mm	12x10mm	∅ 6mm steel	20 Pcs
60mm	12x10mm	6mm SS-303	20 Pcs
60mm	12x10mm	6mm brass	20 Pcs
80mm	16x13mm	6mm steel	20 Pcs
120mm	20x16mm	11mm brass	20 Pcs
150mm	25x20mm	13mm steel	10 Pcs
150mm	25x20mm	13mm brass	10 Pcs

for weld-on hinges in stainless steel, see page GY-348b



PIMEX B.V.
Coenecoop 131
2741 PJ WADDINXVEEN (NL)
Tel. (31) 182 - 61 11 66
Email: info@pimex.nl