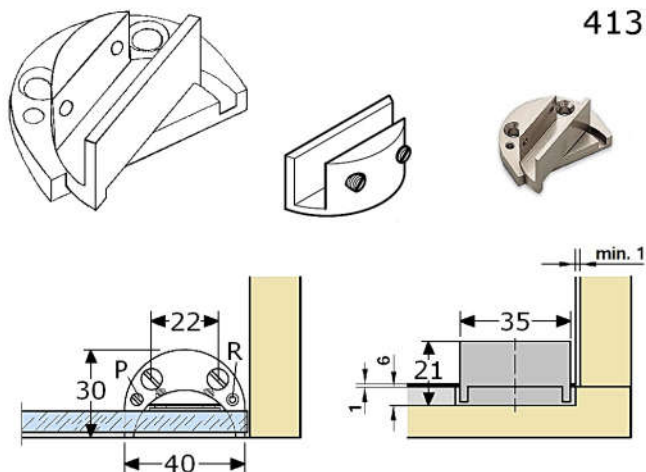


403363

concealed hinges, highness 190mm
totally brass polished
with massive brass polished links
with stainless steel pins, first design
heavy duty, for maximum door weight 50 Kg
(for door with 3 hinges, max. door 2000x900mm)
door leaf: 190x30mm, bore 97x30x8/22mm
wall leaf: 190x30mm, bore 97x30x8/22mm
opening 180°, if closed not visible
widthness 74mm, space between leaves 14mm
for minimum 36mm door thickness
for left and right use, not adjustable
4+4 countersunked screwholes (screws 5x25mm)
in boxes of 2 Pcs.

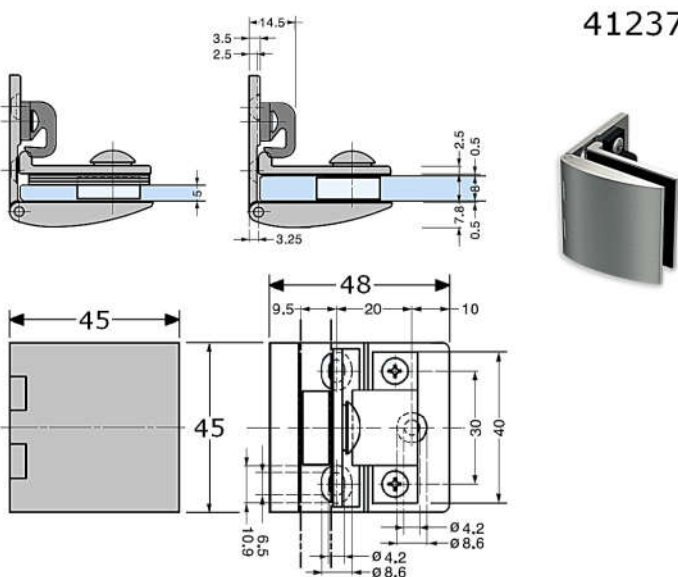


for glass door hinges in stainless steel,
see page GF-316a (group 03)



413304

pivot glass door hinges, highness 21mm
brass satin nickel plated
for glass thickness 4-8mm, maximum loading 4 Kg
(for 2 Pcs: maximum door width 450mm)
no hole in glass, pre-drilling not required
mounting/pinching with 2 nice screws M4
for inset/recessed showcase glass doors
turning in special groove, not selfclosing
after mounting: place safety stopper screw P or R
bottom mounting with 2 countersunked screwholes
with distance plates
rounded bottom hole necessary
in boxes of 12 Pcs.

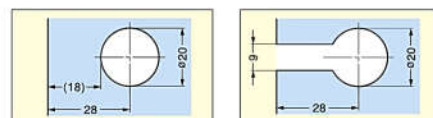


412374

glass door hinges 45x45mm
brass satin nickel plated
for glass thickness 5-8mm, maximum loading 15 Kg
(for 2 Pcs: maximum door width 600mm)
glass: 1x hole \varnothing 20mm necessary
mounting/pinching with 2 nice screws M4
for inset/recessed showcase glass doors
with black polyamide/polyacetal catch on hinge plate
not selfclosing, with distance plates
wall mounting with 3 countersunked screwholes
rounded bottom hole necessary
with black packing
in boxes of 12 Pcs.



cut out
dimensions
of 412374



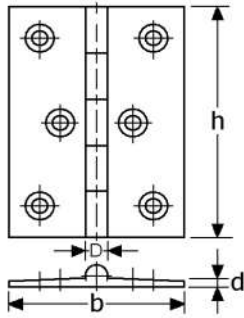
for glass 5-6mm for glass 8mm

for glass door hinges in stainless steel,
see page GY-316a (group 03)



PIMEX B.V.
Coenecoop 131
2741 PJ WADDINXVEEN (NL)
Tel. (31) 182 - 61 11 66
Email: info@pimex.nl

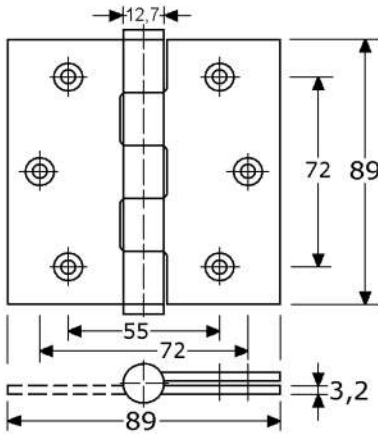
BUTT HINGES, brass



420323

butt hinges with fixed brass pin
brass profile, polished
flat surface mounting, thickness 1,5-1,8mm
5-knuckles $\varnothing 4,5\text{mm}$, without tips
with 6 countersunk screwholes

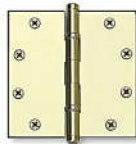
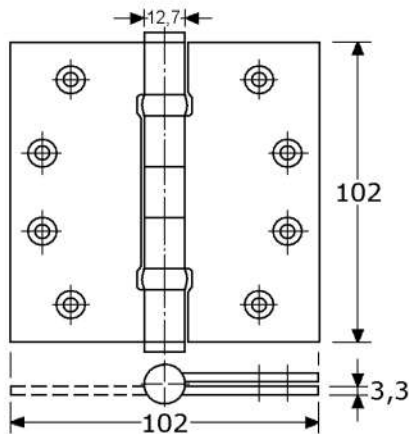
h x w x t	knuckle \varnothing	boxes
50 x 40 x 1,5mm	$\varnothing 4,5\text{mm}$	20 Pcs



423332

butt hinges with fixed brass pin
brass profile, polished & lacquered
swaged, without bearing
5-knuckles $\varnothing 12,7\text{mm}$, with flat brass tips
with 6 countersunk screwholes

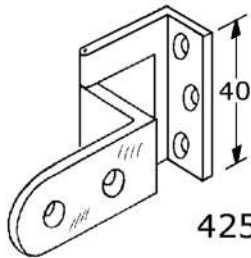
h x w x t	knuckle \varnothing	boxes
89 x 89 x 3,2mm	$\varnothing 12,7\text{mm}$	18 Pcs



424334

butt hinges with fixed brass pin
brass profile, polished & lacquered
swaged, with brass ball bearing
5-knuckles $\varnothing 12,7\text{mm}$, with flat brass tips
with 8 countersunk screwholes

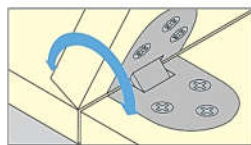
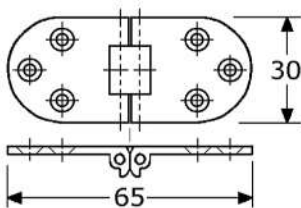
h x w x t	knuckle \varnothing	boxes
102x102 x 3,3mm	$\varnothing 12,7\text{mm}$	10 Pcs



425304

overlay door angle hinge with fixed pin
brass profile, nickel plated
for flush overlaid doors of 20mm
3-knuckles $\varnothing 4\text{mm}$, without tips
with 2+3 countersunk screwholes

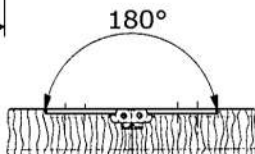
h	knuckle \varnothing	boxes
40mm	$\varnothing 4\text{mm}$	20 Pcs



428326

table top hinge with 2 fixed pins
brass casting, mirror chrome plated
fully flat with 180° opening, double knuckle
with 6 countersunk screwholes

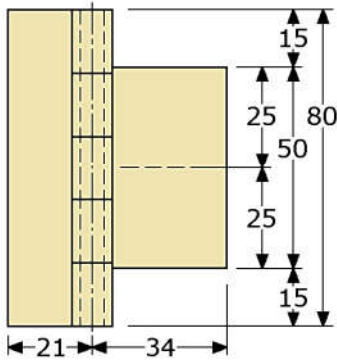
h x w x t	boxes
30 x 65 x 2mm	50 Pcs



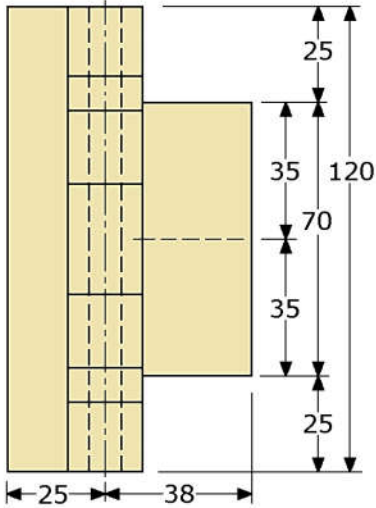
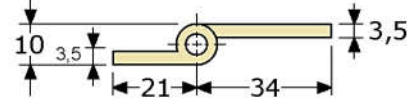
for table top hinges for 180° opening fully flat
out of stainless steel, see page GY-382b (group 03)



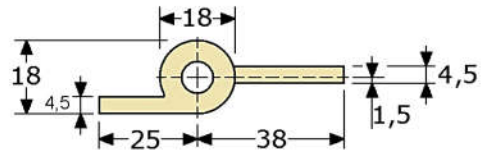
PIMEX B.V.
Coenecoop 131
2741 PJ WADDINXVEEN (NL)
Tel. (31) 182 - 61 11 66
Email: info@pimex.nl



solid profile hinges 80/50x55x3,5mm
brass profile unpolished, 5-knuckles $\varnothing 10$ mm
without holes, middle profile highness 50mm
cranked 6,5mm, without bearing
with fixed stainless steel 430 pin $\varnothing 5$ mm
total widthness 21+34=55mm
in boxes of 10 Pcs. (delivery on request)



solid profile hinges 120/70x63x4,5mm
brass profile unpolished, 5-knuckles $\varnothing 18$ mm
without holes, middle profile highness 70mm
with each 2x ball bearing $\varnothing 18$ mm
cranked 7,5mm, leaf not in the middle of the knuckle
with fixed stainless steel 430 pin $\varnothing 8$ mm
total widthness 25+38=63mm
in boxes of 10 Pcs.



PIMEX B.V.
Coenecoop 131
2741 PJ WADDINXVEEN (NL)
Tel. (31) 182 - 61 11 66
Email: info@pimex.nl