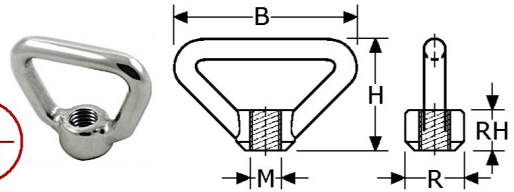


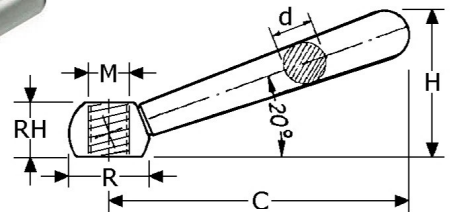
bow nuts
stainless steel 316/A4/1.4408 mirror polished
high quality, nice finish
hook 45°



	quality A4	measure M	B (mm) widthness	H (mm) highness	d (mm) thickness	R (mm) flange	RH (mm)	boxes of
B266031	SS-316	M 10	70	46	8	20	15	10
B266041	SS-316	M 12	70	46	8	20	15	10
B266051	SS-316	M 16	87	55	10	28	20	10
B266061	SS-316	M 20	106	66	12	30	23	10

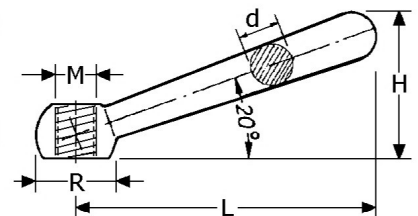
also possible on request: - bow nuts SS-316/A4 M8 unpolished (B266023)
- bow nuts SS-316/A4 M24 unpolished (B266073)

tail nuts (or clamping nuts)
stainless steel 304/A2 satin
lever arm is welded to the flange
(you see 2 different parts)
hook 20°
type DIN 99.6



	quality A2	measure M	C (mm) widthness	H (mm) highness	d (mm) thickness	R (mm) flange	RH (mm)	boxes of
B266220	SS-304	M 8	63	30	9	16	12,5	10
B266230	SS-304	M 10	80	37	11	20	15	10
B266240	SS-304	M 12	100	46	14	25	19	10
B266250	SS-304	M 16	125	58	18	32	25	10
B266260	SS-304	M 20	160	73	20	40	31	10

tail nuts (or clamping nuts)
stainless steel 303/A2/1.4305 satin
with 1x lever arm
(visual out of 1 piece)
hook 20°
type DIN 99-N



	quality A2	measure M	C (mm) widthness	H (mm) highness	d (mm) thickness	R (mm) flange	RH (mm)	boxes of
B266320	SS-303	M 8	63	30	10	16	12	10

also possible on request: - tail nuts in stainless steel in other sizes
- fixed machine handles in stainless steel (B26620..)



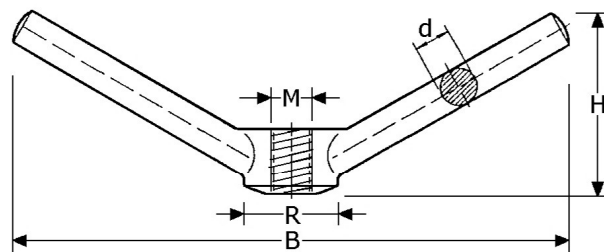
for eye bolts out of
stainless steel,
see page GB-261



PIMEX B.V.
Coenecoop 131
2741 PJ WADDINXVEEN (NL)
Tel. (31) 182 - 61 11 66
Email: info@pimex.nl

WING NUTS, stainless steel

wing nuts "butterfly"
stainless steel 316/A4/1.4408
electro mirror polished
forged very strong
hook 26°

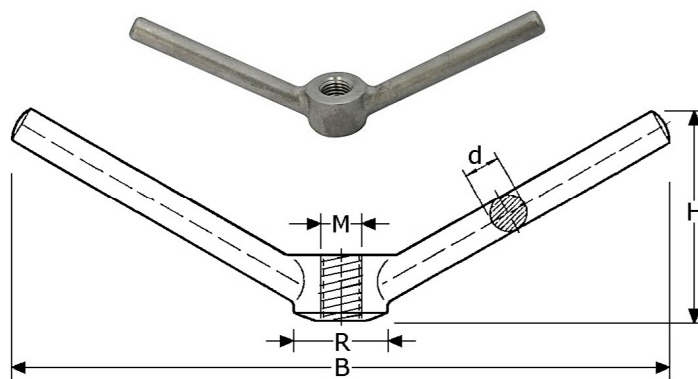


B266741
B266751
B266761

quality	measure	B (mm)	H (mm)	d (mm)	R (mm)	RH (mm)	boxes
A4	M	widthness	highness	thickness	flange		of
SS-316	M 12	100	33	10	22	18	10
SS-316	M 16	135	43	13	30	21	10
SS-316	M 20	150	46	14	33	23	10

also possible on request: - wing nuts "butterfly" in brass (BM3667..)

wing nuts "butterfly"
stainless steel 316/A4/1.4401
according to DIN 80701
heavy duty, unpolished
forged very strong
hook 30°
(delivery on request)



B266653
B266663
B266671
B266673

quality	measure	B (mm)	H (mm)	d (mm)	R (mm)	RH (mm)	boxes
A4	M	widthness	highness	thickness	flange		of
SS-316	M 16	200	69	12	30	24	10
SS-316	M 20	240	80	16	40	30	10
SS-316	M 24	220	75	19	45	38	1=last
SS-316	M 24	280	90	20	50	37	10

also possible on request: - wing nuts "butterfly" in brass (BM3666..)

also possible:
- tail/clamping nuts
with 1x lever arm
in stainless steel,
see page GB-263



- flat butterfly wing nut 340mm
in stainless steel 304/A2
with brass insert M20
heavy duty, type B266693
(1 Pcs. on last sale)



PIMEX B.V.
Coenecoop 131
2741 PJ WADDINXVEEN (NL)
Tel. (31) 182 - 61 11 66
Email: info@pimex.nl

PIMEX has a big range of all kind of stainless steel toggle latches

- * stainless steel (316) hatch toggles, small like PIMEX-no. 579223/579224 see page GY-546b



- * stainless steel door toggles, single use like PIMEX-no. 580230, see page GY-580



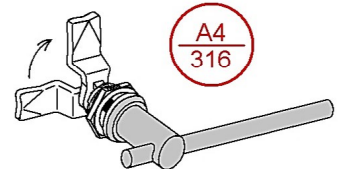
- * stainless steel door toggles, double use like PIMEX-no. 581221 or 581291/581293 see page GY-581 and GY-582



- * stainless steel (316) quarter-turn latches like PIMEX-no. 650251, see page GY-650a or with compression, see page GY-653a



- * stainless steel latches with handle like PIMEX-no. 650262, see page GY-649a or with "T"-handle, see page GY-648a or with "L"-handle, see page GY-647b



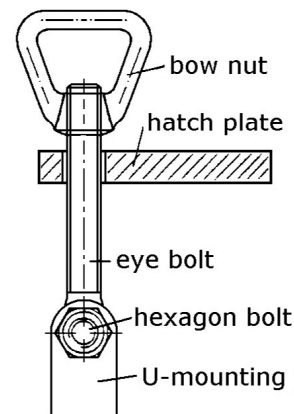
- * stainless steel draw latches like PIMEX-no. 526227 see page GY-524a



- * stainless steel weld-on hinges M12/M16/M20 like PIMEX-no. 398331 see page GY-398b



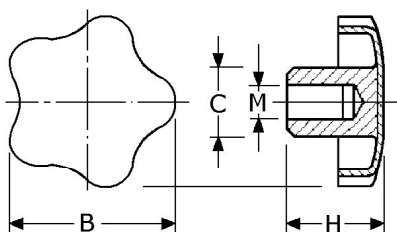
- * **B268204** U-mounting plate for welding, for eye bolt M12 stainless steel 316-Ti/A4/1.4571, casting thick 6mm, total thick 29mm, opening 17mm with hexagon bolt SS-316 M10x40 with hexagon nut SS-316 M10 with nylon insert with each 2 nylon bearing for eye bolt M12 in boxes of 10 Pcs. (see also page GB-267)



- * **B264452** eye bolt SS-316 M12x100 (see also page GB-261)
- * **B265441** ring nut SS-316 M12, width 54mm (page GB-262)
- * **B266041** bow nut SS-316 M12, width 70mm (page GB-263)
- * **B266741** wing nut SS-316 M12, width 100mm (page GB-264)
- * **B268994** hatch plate SS-316 100x40x10mm with groove for M10/M12 (page GB-266)



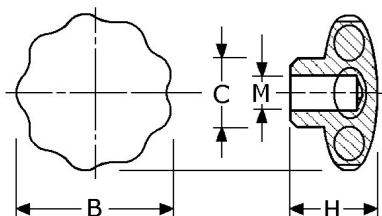
PIMEX B.V.
Coenecoop 131
2741 PJ WADDINXVEEN (NL)
Tel. (31) 182 - 61 11 66
Email: info@pimex.nl



B267208 star grip with threaded blind hole M8
stainless steel 304/A2 dull brushed
pressed (not massive), outside (B) \varnothing 40mm
base (C) outside \varnothing 14mm, total high (H) 25mm
in boxes of 10 Pcs. (delivery on request)

B267210 star grip with threaded blind hole M10
stainless steel 304/A2 dull brushed
pressed (not massive), outside (B) \varnothing 50mm
base (C) outside \varnothing 18mm, total high (H) 32mm
in boxes of 10 Pcs. (delivery on request)

B267212 star grip with threaded blind hole M12
stainless steel 304/A2 dull brushed
pressed (not massive), outside (B) \varnothing 60mm
base (C) outside \varnothing 20mm, total high (H) 40mm
in boxes of 10 Pcs. (delivery on request)



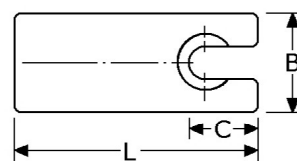
B267256 star grip with threaded blind hole M6
stainless steel 303/A2 dull brushed
solid casting, hygienic, outside (B) \varnothing 40mm
base (C) outside \varnothing 18mm, total high (H) 26,5mm
in boxes of 10 Pcs. (delivery on request)

B267258 star grip with threaded blind hole M8
stainless steel 303/A2 dull brushed
solid casting, hygienic, outside (B) \varnothing 40mm
base (C) outside \varnothing 18mm, total high (H) 30,5mm
in boxes of 10 Pcs.

B267260 star grip with threaded blind hole M10
stainless steel 303/A2 dull brushed
solid casting, hygienic, outside (B) \varnothing 50mm
base (C) outside \varnothing 21mm, total high (H) 29/34mm
in boxes of 10 Pcs.

B267265 star grip with threaded blind hole M12
stainless steel 303/A2 dull brushed
solid casting, hygienic, outside (B) \varnothing 60mm
base (C) outside \varnothing 25mm, total high (H) 39mm
in boxes of 10 Pcs.

hatch plate
stainless steel 316/A4/1.4408
heavy duty, unpolished
with groove for eye bolt

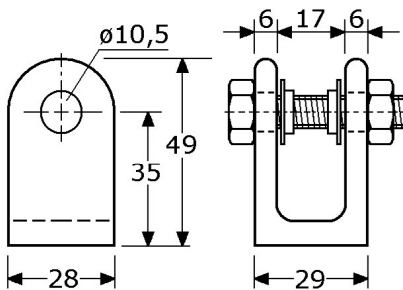


	quality	with groove (fork)	L (mm) length	B (mm) widthness	d (mm) thickness	C (mm) opening	boxes of
B268994	SS-316	for eye bolt M10/12	100	40	10	26	10
B268995	SS-316	for eye bolt M16	125	50	12	30	10
B268996	SS-316	for eye bolt M20	150	60	15	35	10

also possible: - in steel (same measures), PIMEX article BF1689..



PIMEX B.V.
Coenecoop 131
2741 PJ WADDINXVEEN (NL)
Tel. (31) 182 - 61 11 66
Email: info@pimex.nl



B268204



U-mounting plate for welding, for eye bolt M12 stainless steel 316-Ti/A4/1.4571, casting thick 6mm, total thick 29mm, opening 17mm with hexagon bolt SS-316 M10x40 with hexagon nut SS-316 M10 with nylon insert with each 2 nylon bearing for eye bolt M12 in boxes of 10 Pcs.

BA568204



U-mounting plate for welding, for eye bolt M12 aluminium, casting thick 6mm, total thick 29mm, opening 17mm with hexagon bolt SS-316 M10x40 with hexagon nut SS-316 M10 with nylon insert with each 2 nylon bearing for eye bolt M12 in boxes of 10 Pcs.



for B268204 you can use:

B264452

eye bolt SS-316 M12x100 (see also page GB-261)

B265441

ring nut SS-316 M12, width 53mm (page GB-262)

B266041

bow nut SS-316 M12, width 70mm (page GB-263)

B266741

wing nut SS-316 M12, width 100mm (page GB-264)

B268994

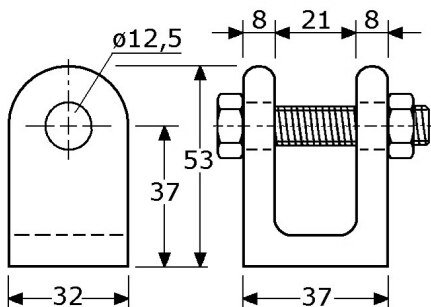
hatch plate SS-316 100x40x10mm with groove for M10/M12 (page GB-266)

BA568994

hatch plate steel 100x40x10mm (on request)

BF168994

hatch plate aluminium 100x40x10mm (on request)



B268205

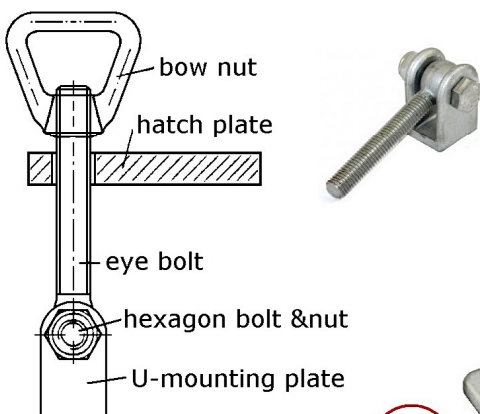


U-mounting plate for welding, for eye bolt M16 stainless steel 316-Ti/A4/1.4571, casting thick 8mm, total thick 37mm, opening 21mm with hexagon bolt SS-316 M12x50 with hexagon nut SS-316 M12 with nylon insert with each 2 nylon bearing for eye bolt (hole \varnothing 16mm) in boxes of 10 Pcs.

BA568205



U-mounting plate for welding, for eye bolt M16 aluminium, casting thick 8mm, total thick 37mm, opening 21mm with hexagon bolt SS-316 M12x50 with hexagon nut SS-316 M12 with nylon insert with each 2 nylon bearing for eye bolt (hole \varnothing 16mm) in boxes of 10 Pcs.



B264555

for B268205 you can use:

eye bolt SS-316 M16x110 (see also page GB-261)

B265351

ring nut SS-316 M16, width 62mm (page GB-262)

B266051

bow nut SS-316 M16, width 87mm (page GB-263)

B266751

wing nut SS-316 M16, width 135mm (page GB-264)

B268995

hatch plate SS-316 125x50x12mm with groove for M16 (page GB-266)

BA568995

hatch plate steel 125x50x12mm (on request)

BF168995

hatch plate aluminium 125x50x12mm (on request)



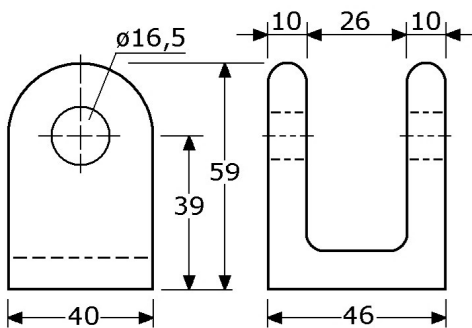
PIMEX B.V.

Coenecoop 131

2741 PJ WADDINXVEEN (NL)

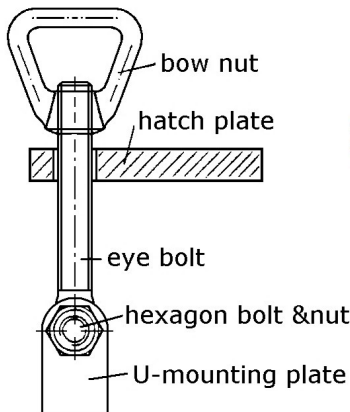
Tel. (31) 182 - 61 11 66

Email: info@pimex.nl



B268206

U-mounting plate for welding, for eye bolt M20 stainless steel 316-Ti/A4/1.4571, casting thick 10mm, total thick 46mm, opening 26mm with hexagon bolt SS-316 M16x60 with hexagon nut SS-316 M16 with nylon insert with each 2 nylon bearing for eye bolt M20 in boxes of 10 Pcs.



for B268206 you can use:

B264661

eye bolt SS-316 M20x120 (see also page GB-261)

B265461

ring nut SS-316 M20, width 71mm (page GB-262)

B266061

bow nut SS-316 M20, width 100mm (page GB-263)

B266761

wing nut SS-316 M20, width 150mm (page GB-264)

B268996

hatch plate SS-316 150x60x15mm with groove for M20 (page GB-266)

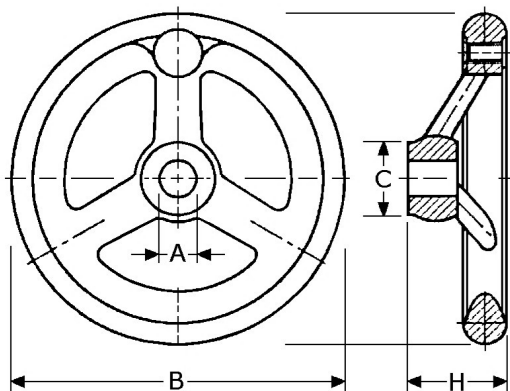
B267813

machine handwheel \varnothing 125mm stainless steel 316L/A4/1.4571, casting (only) rim polished, rest not polished with 3 spokes, with hole (A) \varnothing 11mm base (C) outside \varnothing 28mm, total high (H) \pm 36mm delivery on request



B267871

machine handwheel \varnothing 200mm stainless steel 316L/A4/1.4571, casting (only) rim polished, rest not polished with 3 spokes, with hole (A) \varnothing 18mm base (C) outside \varnothing 38mm, total high (H) \pm 45mm delivery on request



for fixed machine handles (B26620..) out of stainless steel, see page GB-263



PIMEX B.V.
Coenecoop 131
2741 PJ WADDINXVEEN (NL)
Tel. (31) 182 - 61 11 66
Email: info@pimex.nl