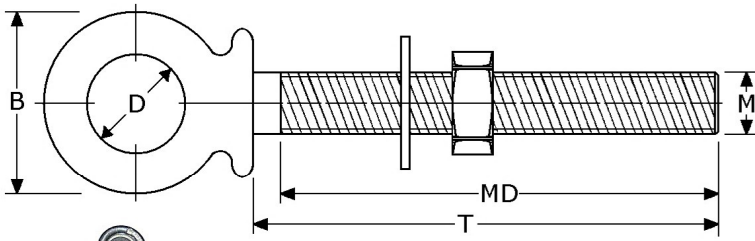


EYE BOLTS, stainless steel



eye bolts with flange
 stainless steel 316L/A4/1.4404
 passivated & mirror polished
 with SS-316 nut, with SS-316 washer
 high quality, nice finish

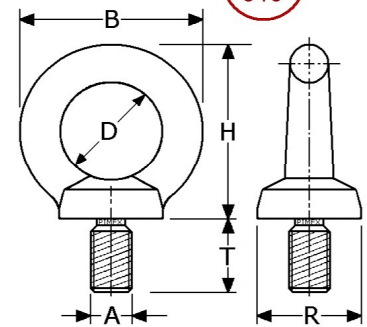


	quality A4	measure M x T	MD (mm) thread	B (mm) width	D (mm) hole	working load	breaking load (BLL)	boxes of
B260619	SS-316	M 6 x 40	35	22	12	450 Kg	900 Kg	25
B261879	SS-316	M 8 x100	90	26	14	750 Kg	1500 Kg	20
B262879	SS-316	M 10x100	88	30	16	1350 Kg	2700 Kg	10
B262989	SS-316	M 12x120	105	34	18	1750 Kg	3500 Kg	10

eye bolts / lifting eye bolts
 stainless steel 316/A4 casting
 similar to DIN 580 (virtually better than forged)



	quality A4	measure M x T	MD (mm) thread	D (mm) R (mm)	boxes of
B265021	SS-316	M 8 x 13	36	20	25
B265031	SS-316	M 10x 17	45	25	25
B265041	SS-316	M 12x 20	54	30	10
B265051	SS-316	M 16x 27	63	35	10

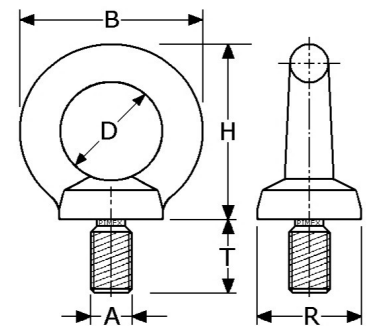


also possible: - sizes till M30 and/or stainless steel 304/A2

eye bolts / lifting eye bolts
 stainless steel 316/A4 forged
 according to DIN 580 (stronger than casting)



	quality A4	measure M x T	MD (mm) thread	D (mm) R (mm)	boxes of
B265121	SS-316	M 8 x 13	36	20	25
B265131	SS-316	M 10x 17	45	25	25
B265161	SS-316	M 20x 30	72	40	10
B265171	SS-316	M 24x 36	90	50	10



also possible: - sizes till M42 and/or stainless steel 304/A2

eye bolts with flat eye inside ø10,5mm
 stainless steel 316/A4 mirror polished
 with thread 66mm, with nut SS-316/A4 M10 (RH)

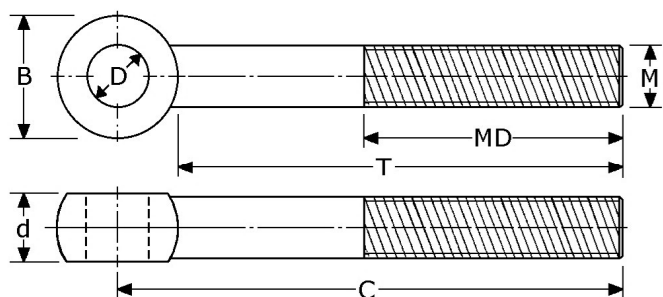


	quality A4	measure M x L	MD (mm) thread	B (mm)	boxes of
B263345	SS-316	M 10x 91	66	22	10



PIMEX B.V.
 Coenecoop 131
 2741 PJ WADDINXVEEN (NL)
 Tel. (31) 182 - 61 11 66
 Email: info@pimex.nl

EYE BOLTS, stainless steel



eye bolts
stainless steel 304/A2/1.4301 or
stainless steel 316/A4/1.4401
with partial thread or full thread
(delivery without nuts & washers)
(type DIN 444-B)



	quality A2 or A4	measure M x C	MD (mm) thread	B (mm) width	D (mm) hole	T (mm) length	d (mm) thickness	boxes of
B264114	SS-304	M 6 x 30	18	14	6	23	7	50
B264125	SS-316	M 6 x 50	18	14	6	43	7	50
B264235	SS-316	M 8 x 70	22	18	8	61	9	25
B264335	SS-316	M 10x 70	58	20	10	60	12	25
B264351	SS-316	M 10x100	88	20	10	90	12	25
B264361	SS-316	M 10x120	108	20	10	110	12	25
B264423	SS-316	M 12x 50	30	25	12	38	14	25
B264435	SS-316	M 12x 80	67	25	12	68	14	25
B264445	SS-316	M 12x 90	30	25	12	78	14	25
B264451	SS-316	M 12x100	87	25	12	88	14	25
B264452	SS-316	M 12x100	87	25	12	88 pol.	14	25
B264471	SS-316	M 12x140	120	25	12	128	14	25
B264537	SS-316	M 16x 80	58	32	18 (!!)	64 pol.	16	25
B264555	SS-316	M 16x110	88	32	16	94	16	10
B264561	SS-316	M 16x120	98	32	18 (!!)	104 pol.	16	10
B264581	SS-316	M 16x160	138	32	16	144	16	10
B264589	SS-316	M 16x180	44	32	16	164	16	10
B264641	SS-316	M 20x 80	55	40	18	60	22	10
B264643	SS-316	M 20x 80	55	40	18	60 pol.	22	10
B264661	SS-316	M 20x120	95	40	18	100	22	10
B264665	SS-316	M 20x130	105	40	18	110 pol.	22	10
B264681	SS-316	M 20x160	135	40	18	140	22	10
B264696	SS-316	M 20x200	52	40	18	180	22	10
B264791	SS-316	M 24x180	150	45	22	158 pol.	25	10

also possible:

- other lengths
- with partial thread or with full thread
- on request also possible in brass,
like M20x130 (BM364665)
- in stock hatch plates
out of stainless steel 316/A4
for M10/M12 (B268994),
for M16 (B268995) or
for M20 (B268996),
see page GB-266



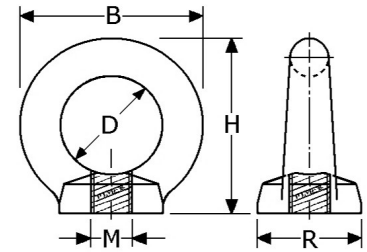
PIMEX B.V.
Coenecoop 131
2741 PJ WADDINXVEEN (NL)
Tel. (31) 182 - 61 11 66
Email: info@pimex.nl

EYE NUTS, stainless steel

eye nuts
stainless steel 316/A4 casting
similar to DIN 582
(virtually better than forged)



	quality A4	measure M	B (mm) H (mm)	D (mm) R (mm)	boxes of
B265311	SS-316	M 6	28	16	25
B265321	SS-316	M 8	36	20	25
B265331	SS-316	M 10	45	25	25
B265351	SS-316	M 16	62	35	10

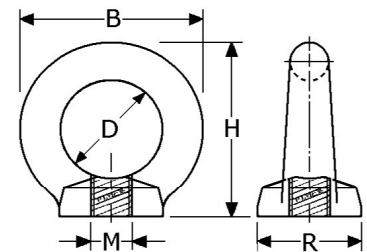


also possible: - sizes till M24 and/or stainless steel 304/A2

eye nuts / lifting eye nuts
stainless steel 316/A4 forged
according to DIN 582 (stronger than casting)



	quality A4	measure M	B (mm) H (mm)	D (mm) R (mm)	boxes of
B265421	SS-316	M 8	36	20	25
B265431	SS-316	M 10	45	25	25
B265441	SS-316	M 12	53	30	10
B265461	SS-316	M 20	71	40	10
B265471	SS-316	M 24	90	50	10



also possible: - sizes till M36 and/or stainless steel 304/A2

eye nuts
stainless steel 316/A4/1.4404 mirror polished
high quality, nice finish
(no text on the flange)



	quality A4	measure M	B (mm) widthness	H (mm) highness	D (mm) hole	R (mm) flange	breaking load (BLL)	boxes of
B265831	SS-316	M 6	25	27	13	17	1600 Kg	25
B265833	SS-316	M 8	34	36	17	22	3200 Kg	25
B265835	SS-316	M 10	42	46	22	28	4800 Kg	10
B265837	SS-316	M 12	51	56	27	34	7000 Kg	10
B265839	SS-316	M 16	51	56	27	34	8000 Kg	10

for eye plates in
stainless steel 304/316,
see page GY-170 (group 01)



for eye plates with ring
in stainless steel 316/A4,
see page GY-171 (group 01)



PIMEX B.V.
Coenecoop 131
2741 PJ WADDINXVEEN (NL)
Tel. (31) 182 - 61 11 66
Email: info@pimex.nl