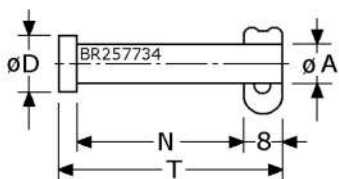


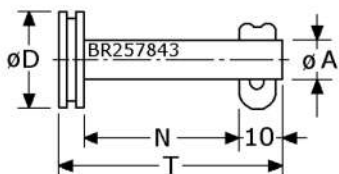
DROP NOSE PINS, stainless steel



BR257724
BR257732
BR257734
BR257744
BR257745

drop nose pins
with top flat head
stainless steel 304/A2

quality A2	measure A x T	N (mm) working	D (mm)	KH (mm) head	boxes of
SS-304	6 x 56	48	9	2,5	20
SS-304	8 x 30	20	11	2,5	20
SS-304	8 x 43	33	11	2,5	20
SS-304	10x 45	32	14	2,5	20
SS-304	10x 55	42	14	2,5	20

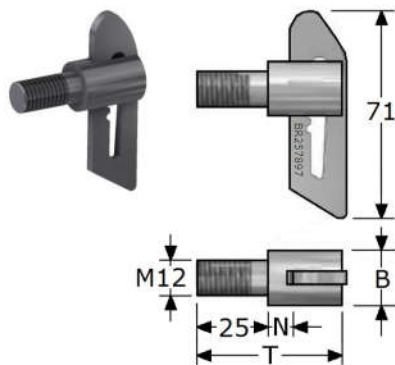


BR257825
BR257836
BR257837
BR257843
BR257847
BR257865
BR257866
BR257867
BR257868

drop nose pins
with top flat grooved head
stainless steel 316/A4 polished



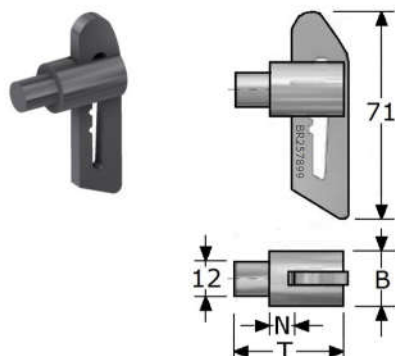
quality A4	measure A x T	N (mm) working	D (mm)	KH (mm) head	boxes of
SS-316	6 x 62	50	12,7	4	10
SS-316	8 x 73	60	12,7	4	10
SS-316	8 x 83	70	12,7	4	10
SS-316	10x 45	30	19	5	10
SS-316	10x 85	70	19	5	10
SS-316	12x 68	50	19	5	10
SS-316	12x 78	60	19	5	10
SS-316	12x 88	70	19	5	10
SS-316	12x 98	80	19	5	10



BR257897

anti-luce fasteners
with thread M12x25, bolt-on
stainless steel 304/A2

quality A2	measure A x T	N (mm) working	B (mm)	thread	boxes of
SS-304	12x 50	6	19	M12x25	10



BR257899

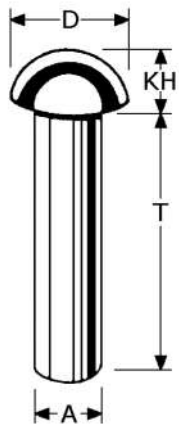
anti-luce fasteners
without thread, weld-on
stainless steel 304/A2

quality A2	measure A x T	N (mm) working	B (mm)	boxes of
SS-304	12x 38	6	19	10



PIMEX B.V.
Coenecoop 131
2741 PJ WADDINXVEEN (NL)
Tel. (31) 182 - 61 11 66
Email: info@pimex.nl

BOLT WITH HEAD, stainless steel

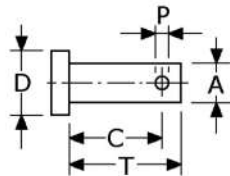


round head pins (rivets)
stainless steel 304/A2 unpolished

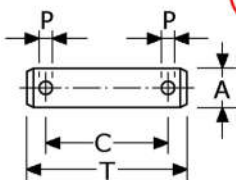
quality A2	measure A x T	D (mm)	KH (mm) head	boxes of
BR230440	SS-304 4 x 40	7	2,2	100
BR230550	SS-304 5 x 50	8,8	3	100
BR230599	SS-304 5 x 100	8,8	3	100
BR230660	SS-304 6 x 64	10	4	100
BR230676	SS-304 6 x 76	10	4	100
BR230790	SS-304 7 x 89	11,8	4,5	100



bolt with head, with hole for pin
stainless steel 316/A4



quality A4	measure A x T	C (mm) till centre	D (mm)	P (mm) hole	boxes of
BR258007	SS-316 6 x 19	16	9	1,6	20
BR258009	SS-316 8 x 24	20	12	2	20
BR258011	SS-316 10x 29	24	14	3	20
BR258013	SS-316 12x 35	30	17	4	20
BR258017	SS-316 16x 46	38	21	4	20



bolt without head, with hole for pin
stainless steel 316/A4



quality A4	measure A x T	C (mm) till centre	P (mm) hole	boxes of
BR258157	SS-316 12x 56	46	4	20



parallel keys
with rounded ends
stainless steel 316/A4 (delivery on request)

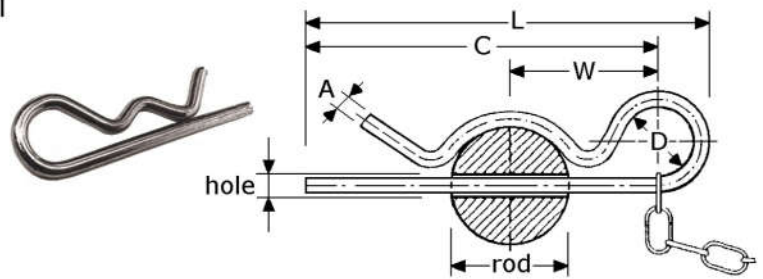
quality A4	measure A x T	L (mm) length	boxes of
BR257220	SS-316 5 x 5	16	50
BR257231	SS-316 6 x 6	20	50
BR257241	SS-316 8 x 7	45	20
BR257248	SS-316 8 x 7	90	20
BR257255	SS-316 10x 8	63	20



PIMEX B.V.
Coenecoop 131
2741 PJ WADDINXVEEN (NL)
Tel. (31) 182 - 61 11 66
Email: info@pimex.nl

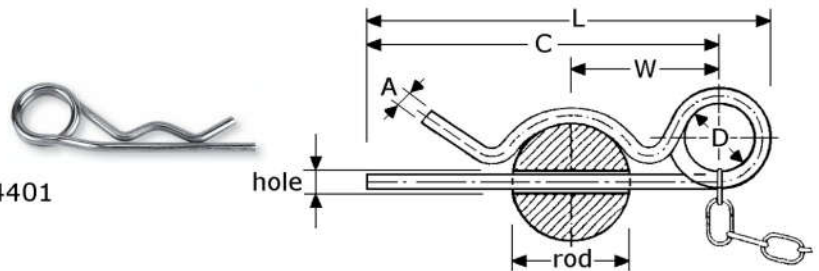
SPRING PINS, stainless steel

spring cotter pins
stainless steel 301/1.4310 or
stainless steel 316/A4/1.4401
with single loop
DIN 11024 (beta clips)



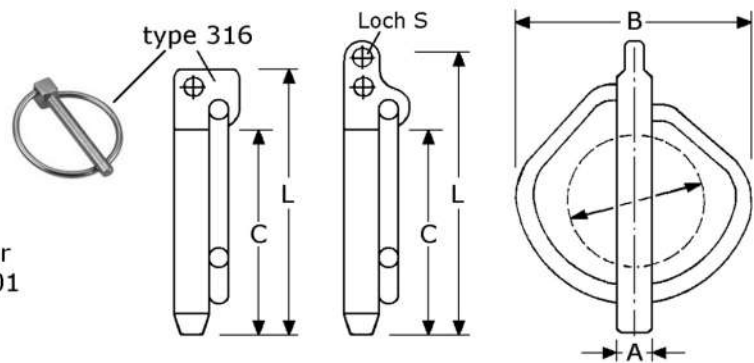
quality	measure A x C/L	for hole	for rod	W (mm)	D (mm)	boxes of	
BR258225	SS-301	2 x 50/57	2,5	8-14	25	10	30
BR258227	SS-316	2 x 42/49	2,5	8-14	23	10	50
BR258237	SS-316	3 x 60/72	3,5	10-16	33	18	50
BR258246	SS-301	4 x 60/74	4,5	16-20	30	20	50
BR258247	SS-316	4 x 64/78	4,5	16-20	33	20	50
BR258259	SS-316	5 x 85/102	6	20-28	45	25	50
BR258269	SS-316	6 x 105/126	7	28-40	58	30	50

spring cotter pins
stainless steel 316/A4/1.4401
with double loop
DIN 11024 (double eye)

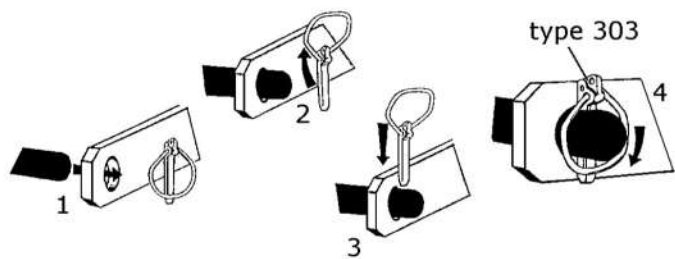


quality	measure A x C/L	for hole	for rod	W (mm)	D (mm)	boxes of	
BR258325	SS-316	2,2 x 44/56	2,5	8-14	28	19	50
BR258336	SS-316	3 x 50/62	3,5	8-20	29	19	50

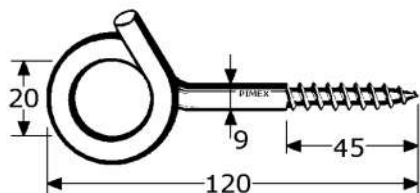
linch pin
stainless steel 303/1.4305 or
stainless steel 316/A4/1.4401
with safety ring (ring catch)
with or without small hole



quality	measure A x C/L	for hole	for rod	B (mm)	hole (S)	boxes of	
BR258423	SS-303	4,5 x 32/48	5	25	34	yes	50
BR258424	SS-316	4,5 x 42/50	5	25	45	no	50
BR258432	SS-303	5,5 x 42/61	6	32	49	yes	50
BR258433	SS-316	6,0 x 48/56	7	32	50	no	50
BR258445	SS-316	7,5 x 48/56	8	32	50	no	50



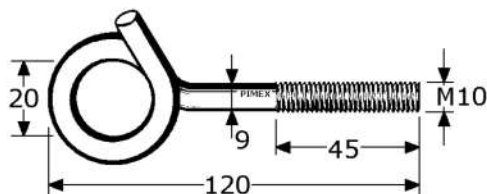
PIMEX B.V.
Coenecoop 131
2741 PJ WADDINXVEEN (NL)
Tel. (31) 182 - 61 11 66
Email: info@pimex.nl



BR259592

safety swing hooks with wood screw thread (HD)
stainless steel 304/A2

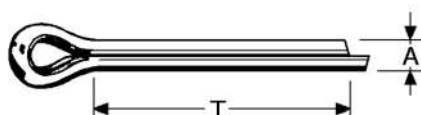
quality A2	T (mm) till eye	d (mm) thickness	S (mm)	HD (mm) thread	boxes of
SS-304	120	9,0	20/11	45	10



BR259597

safety swing hooks with metric thread (MD)
stainless steel 304/A2

quality A2	measure M x L	d (mm) thickness	S (mm)	MD (mm) thread	boxes of
SS-304	M 10 x 120	9,0	20/11	45	20



split pin
stainless steel 304/A2 or 316/A4
(DIN 94, NEN 182, ISO 1234)

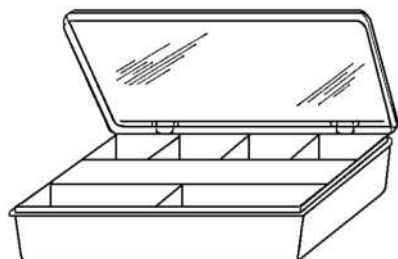
- BR258712
- BR258822
- BR258723
- BR258834
- BR258743
- BR258744
- BR258755
- BR258757
- BR258768

quality A2	measure A x T	boxes of
SS-304	1,6 x 20	500
SS-316	2 x 20	500
SS-304	2 x 30	150
SS-316	3,2 x 40	100
SS-304	4 x 30	200
SS-304	4 x 40	200
SS-304	5 x 50	100
SS-304	5 x 70	100
SS-304	6 x 80	50

for stainless steel split key ring, see page GB-121

BR258990

plastic box "split pins"
universal box with transparant cover
with all kind of stainless steel split pins
7 different measures
total 280 Pcs.



PIMEX B.V.
Coenecoop 131
2741 PJ WADDINXVEEN (NL)
Tel. (31) 182 - 61 11 66
Email: info@pimex.nl