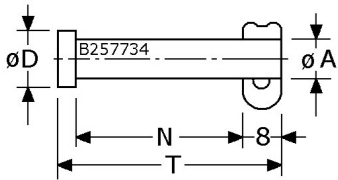
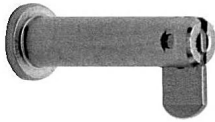


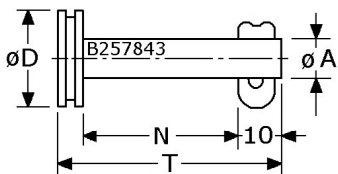
**DROP NOSE PINS, stainless steel**



B257724  
B257732  
B257734  
B257744  
B257745

drop nose pins  
with top flat head  
stainless steel 304/A2

quality A2	measure A x T	N (mm) working	D (mm)	KH (mm) head	boxes of
SS-304	6 x 56	48	9	2,5	20
SS-304	8 x 30	20	11	2,5	20
SS-304	8 x 43	33	11	2,5	20
SS-304	10x 45	32	14	2,5	20
SS-304	10x 55	42	14	2,5	20

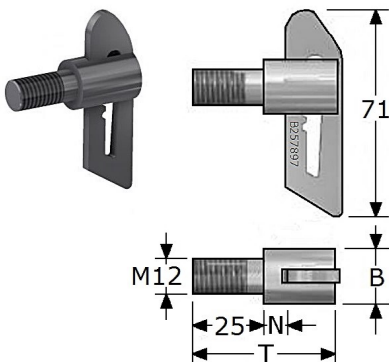


B257825  
B257836  
B257837  
B257843  
B257847  
B257865  
B257866  
B257867  
B257868  
B257869

drop nose pins  
with top flat grooved head  
stainless steel 316/A4 polished



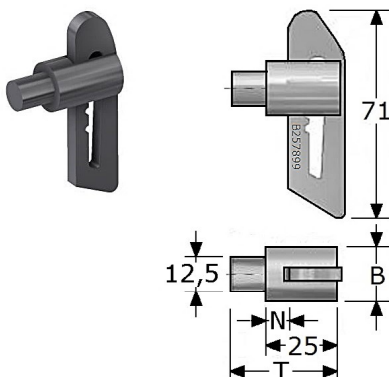
quality A4	measure A x T	N (mm) working	D (mm)	KH (mm) head	boxes of
SS-316	6 x 62	50	12,7	4	10
SS-316	8 x 73	60	12,7	4	10
SS-316	8 x 83	70	12,7	4	10
SS-316	10x 45	30	19	5	10
SS-316	10x 85	70	19	5	10
SS-316	12x 68	50	19	5	10
SS-316	12x 78	60	19	5	10
SS-316	12x 88	70	19	5	10
SS-316	12x 98	80	19	5	10
SS-316	12x108	80	19	5	10



B257897

anti-luce fasteners  
with thread M12x25, bolt-on  
stainless steel 304/A2

quality A2	measure A x T	N (mm) working	B (mm)	thread	boxes of
SS-304	12x 50	6	19	M12x19	10



B257899

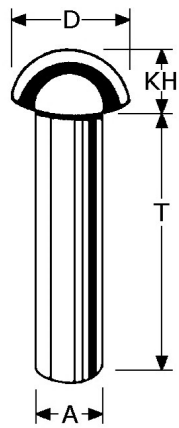
anti-luce fasteners  
without thread, weld-on  
stainless steel 304/A2

quality A2	measure A x T	N (mm) working	B (mm)	boxes of
SS-304	12,5x38	6	19	10



**PIMEX B.V.**  
Coenecoop 131  
2741 PJ WADDINXVEEN (NL)  
Tel. (31) 182 - 61 11 66  
Email: info@pimex.nl

**BOLT WITH HEAD, stainless steel**

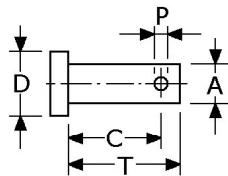


round head pins (rivets)  
stainless steel 304/A2 unpolished

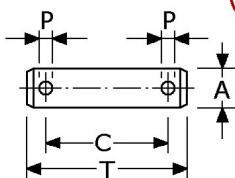
quality A2	measure A x T	D (mm)	KH (mm) head	boxes of
B230440	SS-304 4 x 40	7	2,2	100
B230550	SS-304 5 x 50	8,8	3	100
B230599	SS-304 5 x 100	8,8	3	100
B230660	SS-304 6 x 64	10	4	100
B230676	SS-304 6 x 76	10	4	100
B230790	SS-304 7 x 89	11,8	4,5	100



bolt with head, with hole for pin  
stainless steel 316/A4



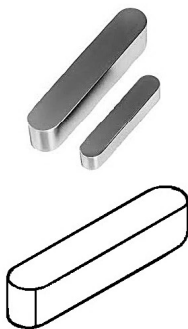
quality A4	measure A x T	C (mm) till centre	D (mm)	P (mm) hole	boxes of
B258007	SS-316 6 x 19	16	9	1,6	20
B258009	SS-316 8 x 24	20	12	2	20
B258011	SS-316 10x 29	24	14	3	20
B258013	SS-316 12x 35	30	17	4	20
B258017	SS-316 16x 46	38	21	4	20



bolt without head, with hole for pin  
stainless steel 316/A4



quality A4	measure A x T	C (mm) till centre	P (mm) hole	boxes of
B258157	SS-316 12x 56	46	4	20



parallel keys  
with rounded ends  
stainless steel 316/A4 (delivery on request)

quality A4	measure A x T	L (mm) length	boxes of
B257220	SS-316 5 x 5	16	50
B257231	SS-316 6 x 6	20	50
B257241	SS-316 8 x 7	45	20
B257248	SS-316 8 x 7	90	20
B257255	SS-316 10x 8	63	20

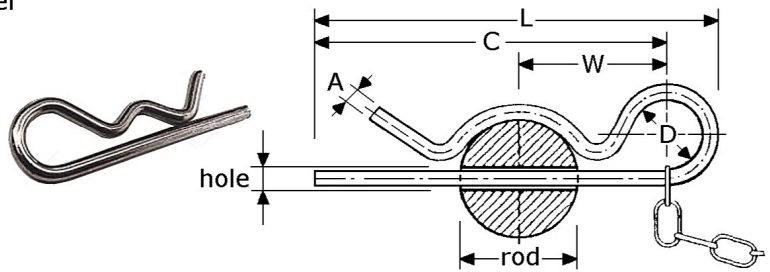


**PIMEX B.V.**  
Coenecoop 131  
2741 PJ WADDINXVEEN (NL)  
Tel. (31) 182 - 61 11 66  
Email: info@pimex.nl

# SPRING PINS, stainless steel



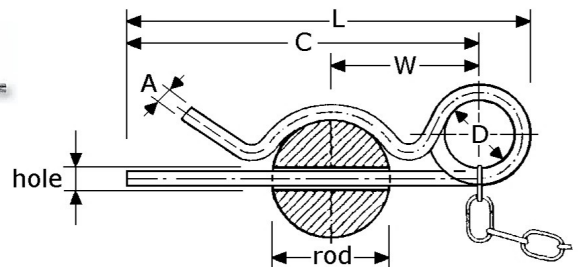
spring cotter pins  
stainless steel 316/A4/1.4401  
with single loop  
DIN 11024  
(beta clips)



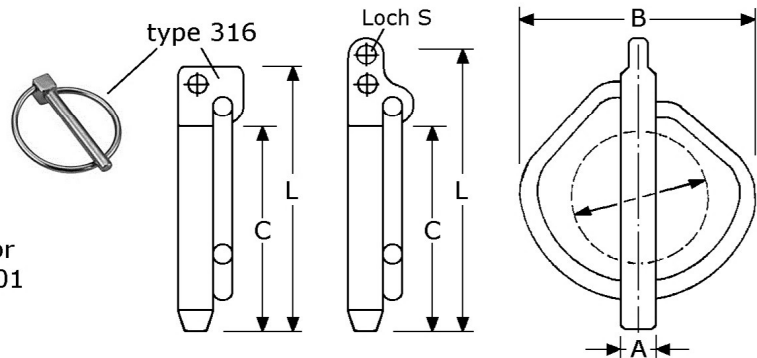
	quality	measure A x C/L	for hole	for rod	W (mm)	D (mm)	boxes of
B258227	SS-316	2 x 42/49	2,5	8-14	23	10	50
B258237	SS-316	3 x 60/72	3,5	10-16	33	18	50
B258247	SS-316	4 x 64/78	4,5	16-20	33	20	50
B258259	SS-316	5 x 85/102	6	20-28	45	25	50
B258269	SS-316	6 x 105/126	7	28-40	58	30	50



spring cotter pins  
stainless steel 316/A4/1.4401  
with double loop  
DIN 11024 (double eye)

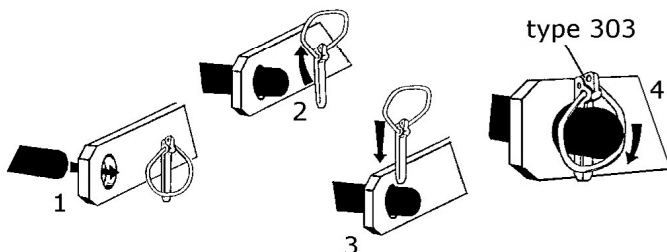


	quality	measure A x C/L	for hole	for rod	W (mm)	D (mm)	boxes of
B258325	SS-316	2,2 x 44/56	2,5	8-14	28	19	50
B258336	SS-316	3 x 50/62	3,5	8-20	29	19	50



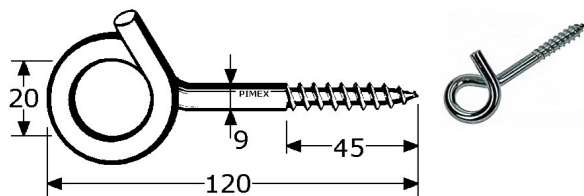
lynch pin  
stainless steel 303/1.4305 or  
stainless steel 316/A4/1.4401  
with safety ring (ring catch)  
with or without small hole

	quality	measure A x C/L	for hole	for rod	B (mm)	hole (S)	boxes of
B258423	SS-303	4,5 x 32/48	5	25	34	yes	50
B258424	SS-316	4,5 x 42/50	5	25	45	no	50
B258432	SS-303	5,5 x 42/61	6	32	49	yes	50
B258433	SS-316	6,0 x 48/56	7	32	50	no	50
B258445	SS-316	7,5 x 48/56	8	32	50	no	50
B258464	SS-303	10,5 x 55/66	12		48	yes	3/200



PIMEX B.V.  
Coenecoop 131  
2741 PJ WADDINXVEEN (NL)  
Tel. (31) 182 - 61 11 66  
Email: info@pimex.nl

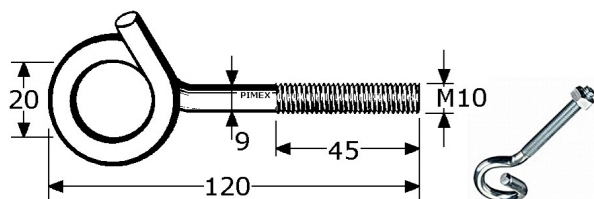
**SPLIT PINS, stainless steel**



**B259592**

safety swing hooks with wood screw thread (HD)  
stainless steel 304/A2

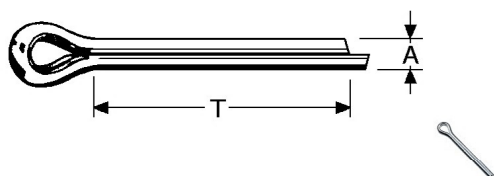
quality A2	T (mm) till eye	d (mm) thickness	S (mm)	HD (mm) thread	boxes of
SS-304	120	9,0	20/11	45	10



**B259597**

safety swing hooks with metric thread (MD)  
stainless steel 304/A2

quality A2	measure M x L	d (mm) thickness	S (mm)	MD (mm) thread	boxes of
SS-304	M 10 x 120	9,0	20/11	45	20



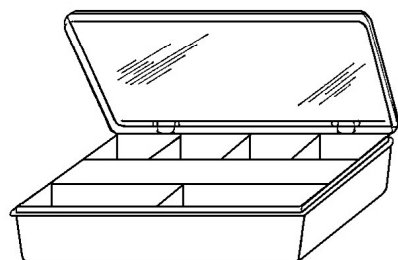
- B258712**
- B258822**
- B258723**
- B258834**
- B258743**
- B258744**
- B258755**
- B258757**
- B258768**

split pin  
stainless steel 304/A2 or 316/A4  
(DIN 94, NEN 182, ISO 1234)

quality A2	measure A x T	boxes of
SS-304	1,6x 20	500
SS-316	2 x 20	500
SS-304	2 x 30	100
SS-316	3,2x 40	100
SS-304	4 x 30	200
SS-304	4 x 40	200
SS-304	5 x 50	100
SS-304	5 x 70	100
SS-304	6 x 80	50

for stainless steel split key ring, see page GB-121

**B258990**



plastic box "split pins"  
universal box with transparant cover  
with all kind of stainless steel split pins  
7 different measures  
total 280 Pcs.



**PIMEX B.V.**  
Coenecoop 131  
2741 PJ WADDINXVEEN (NL)  
Tel. (31) 182 - 61 11 66  
Email: info@pimex.nl