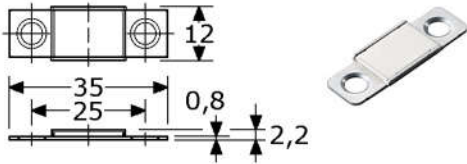


MAGNETIC CATCHES



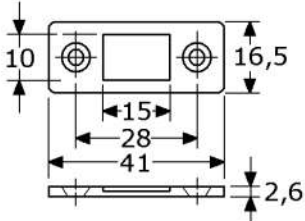
534113

magnetic catches 35x12mm
steel nickel plated (out of 1 piece)
ultra thin, need only space 2,2mm !!!
for use directly between case and door
magnetic force 2,3 Kg, can be used for +80°C.
with 2 countersunk holes c.t.c. 25mm (3mm/M3)
in boxes of 100 Pcs. without counter plate

for magnetic catches in stainless steel,
see page GY-538b (534215)

534249

counter plate SS-430, 49x15x2mm



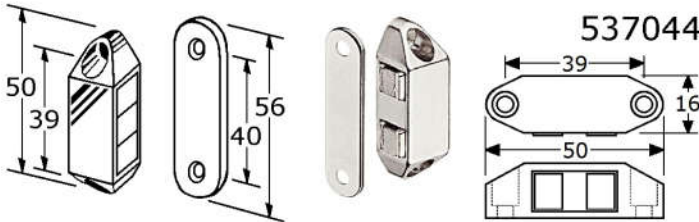
534145

magnetic catches 41x16,5mm
steel nickel plated (out of 1 piece)
ultra thin, need only space 2,6mm !!!
for use directly between case and door
magnetic force 4 Kg, can be used for +80°C.
with 2 countersunk holes c.t.c. 28mm (3mm/M3)
in boxes of 20 Pcs. without counter plate



534249

counter plate SS-430, 49x15x2mm



537044

magnetic catches 50x16mm
house zinc alloy nickel plated
magnetic force 4 Kg, can be used for +80°C.
highness 15,5mm, screw-on (for screws 4mm/M4)
(magnets are following the striking plate)
with steel nickel plated counter plate 56x16mm
in boxes of 25 Pcs.

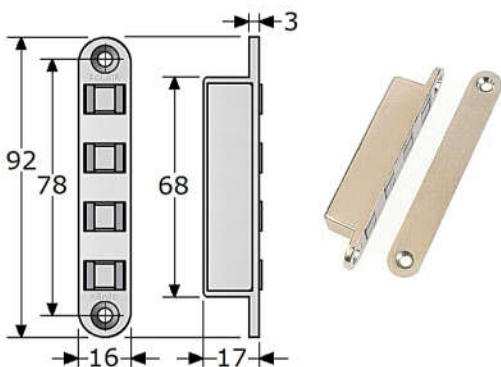


538048

magnetic catches 86x16mm
house zinc alloy nickel plated
magnetic force 8 Kg, can be used for +80°C.
highness 15,5mm, screw-on (for screws 4mm/M4)
with double mobile/flexible magnets
(magnets are following the striking plate)
with steel nickel plated counter plate 92x16mm
in boxes of 25 Pcs.

538049

magnetic catches 86x16mm
house zinc alloy nickel plated
magnetic force 12 Kg, can be used for +80°C.
highness 15,5mm, screw-on (for screws 4mm/M4)
with double mobile/flexible magnets
(magnets are following the striking plate)
with steel nickel plated counter plate 92x16mm
in boxes of 25 Pcs.



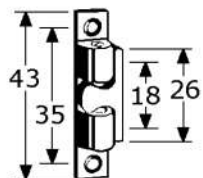
538058

magnetic catches 92x16mm
house zinc alloy nickel plated
magnetic force 8 Kg, can be used for +80°C.
for inlay, built in depth 3mm till 17mm
with double mobile/flexible magnets
(magnets are following the striking plate)
with steel nickel plated counter plate 92x16mm
in boxes of 10 Pcs. (delivery on request)

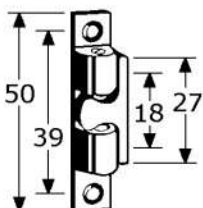


PIMEX B.V.
Coenecoop 131
2741 PJ WADDINXVEEN (NL)
Tel. (31) 182 - 61 11 66
Email: info@pimex.nl

CATCHES

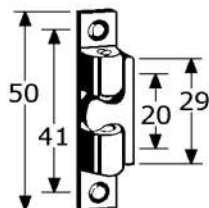


531341 double ball catches 43x8mm
solid brass nickel, with steel harded balls
for wall to door distance ± 11 mm, force 3 Kg
highness 9,5mm, with countersunk holes (3,5/M4)
in boxes of 24 Pcs.

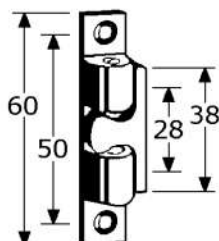


531302 double ball catches 50x9mm
solid brass unpolished, with steel harded balls
for wall to door distance $\pm 12,8$ mm, force 3 Kg
highness 11mm, with countersunk holes (4mm/M4)
in boxes of 50 Pcs.

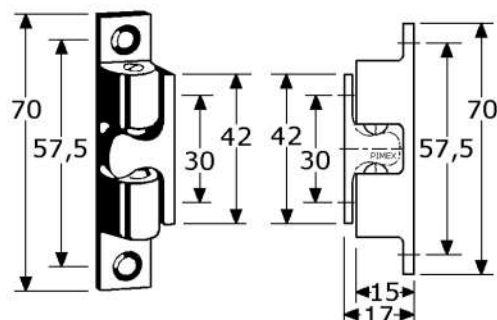
profitable



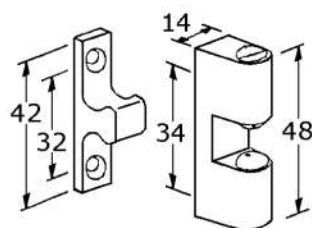
531342 double ball catches 50x9mm
solid brass nickel, with steel harded balls
for wall to door distance $\pm 12,4$ mm, force 3 Kg
highness 11mm, with countersunk holes (4mm/M4)
in boxes of 24 Pcs.
- also stock in stainless steel 316/A4 50mm
(531252), see page GY-538a



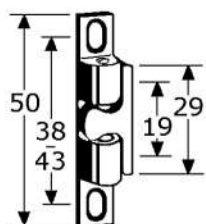
531343 double ball catches 60x11mm
solid brass nickel, with steel harded balls
for wall to door distance ± 15 mm, force 4 Kg
highness 13mm, with countersunk holes (4mm/M4)
in boxes of 24 Pcs.
- also stock in stainless steel 316/A4 63mm
(531253), see page GY-538a



531384 double ball catches 70x13mm
solid brass nickel, with steel harded balls
for wall to door distance ± 17 mm
highness 15mm, force 5 Kg
with 2 countersunk holes c.t.c. 57,5mm (4mm/M4)
in boxes of 20 Pcs.
- also stock in stainless steel 304/A2 & 316/A4 70mm
(531256/531257), see page GY-538a



531674 double ball catches 48x14mm
zinc alloy chrome plated, with steel harded balls
for wall to door distance ± 25 mm, force 4,5 Kg
highness 20,5mm, unvisable mounting
with 2 tapped holes M5 c.t.c. 34mm
strike 42x11mm w/countersunk holes (4/4,5/M4)
in boxes of 24 Pcs.



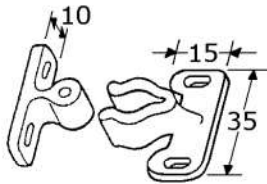
531252 double ball catches 50x8,5mm
stainless steel 316/A4 mirror polished
solid, small type, first quality, force 3 Kg
for wall to door distance ± 13 mm
length 50mm, highness 11mm, widthness 8,5mm
stainless steel harded balls & stainless steel springs
with 2 long holes 7x4mm (centre-centre 38-43mm)
strike stainless steel 316/A4 29x8mm
with 2 countersunk holes c.t.c. 19mm (3,5/4/M3)
in boxes of 25 Pcs.

PIMEX has also stock of:
stainless steel double ball catches
in highness 50mm, 63mm en 70mm,
see page GY-538a



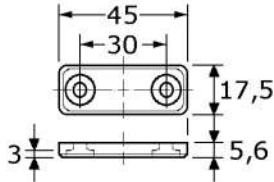
PIMEX B.V.
Coenecoop 131
2741 PJ WADDINXVEEN (NL)
Tel. (31) 182 - 61 11 66
Email: info@pimex.nl

CATCHES



530861

knuckle catch
white polyamide+polyacetal
push-in force 5 Kg, simple & profitable model
length 35mm, highness 13mm
with 2 long holes 3,2x6mm (M3)
strike 35x10mm with 2 long holes 3,2x6mm (M3)
in boxes of 100 Pcs.

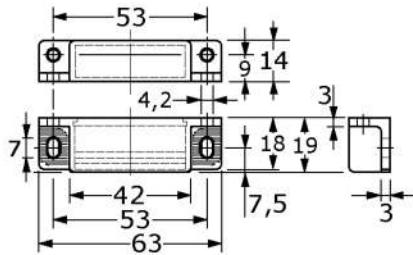


534833

sealed magnetic catches 45x17,5mm
full sealed white polypropylene
magnetical, but no visual magnet !!
no metal-to-metal contact, for cleanroom application
need only space 5,6mm
magnetic force 3 Kg, can be used for max. +80°C.
with 2 lower screwholes \varnothing 4,4mm (4mm/M4)
in boxes of 50 Pcs. without counter plate

534249

counter plate SS-430, 49x15x2mm

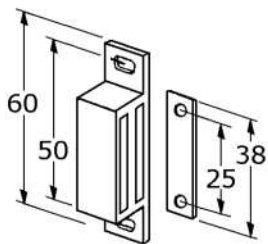


534839

sealed magnetic catches 63x19mm
full sealed grey polyacetal
magnetical, but no visual magnet !!
no metal-to-metal contact, for cleanroom application
for hook mounting
magnetic force 5 Kg, can be used for max. +80°C.
with 2 lower screwholes \varnothing 4,2mm (4mm/M4)
with 2 lower long screwholes 4,2x7mm (4mm/M4)
in boxes of 50 Pcs. without counter plate

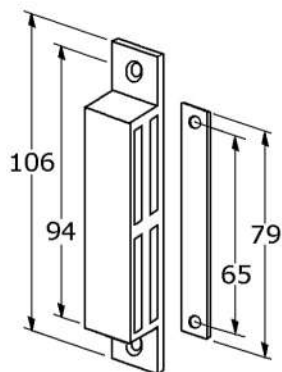
534250

counter plate SS-430, 68x18x2mm



534862

magnetic catches 60x15mm
house white polyamid
magnetic force 2,8 Kg, ferrite magnet
length 60mm, highness 16mm, widthness 15mm
with 2 long holes c.t.c. 50mm (3mm/M3)
with steel chrome counter plate 38x14x2mm
with 2 long holes c.t.c. 25mm (3,5mm/M4)
in boxes of 12 Pcs. (with screws)



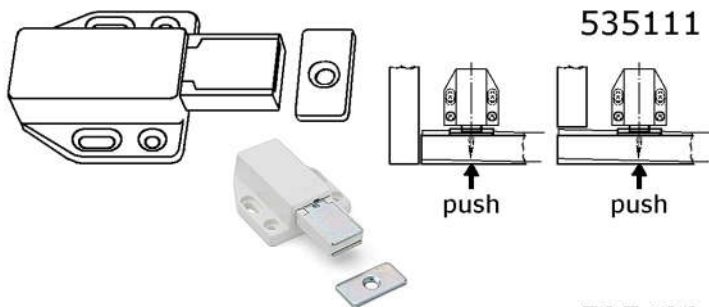
534882

magnetic catches 106x18mm
house white polyamid
magnetic force 5,6 Kg, ferrite magnet
length 106mm, highness 16mm, widthness 18mm
with 2 countersunked holes c.t.c. 94mm (3mm/M3)
with counter plate stainless steel (430) 79x14x2mm
with 2 countersunked holes c.t.c. 65mm (3,5/M4)
in boxes of 6 Pcs. (with screws)



PIMEX B.V.
Coenecoop 131
2741 PJ WADDINXVEEN (NL)
Tel. (31) 182 - 61 11 66
Email: info@pimex.nl

CATCHES



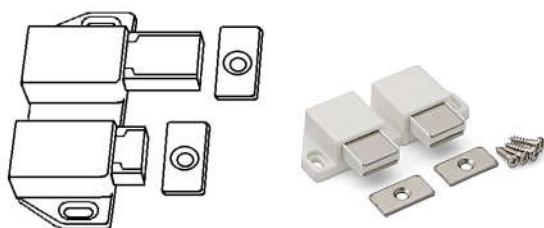
535111

magnetic latches
white plastic house, spring loaded, force 1,6 Kg
length 45/60mm, width 36mm, high 15mm
for cabinet doors without handle ###
"touch-latch", push to open: total 15mm extension
keep 3mm gap between door and cabinet
with steel nickel counter plate with 1 hole
in boxes of 30 Pcs. (with screws)



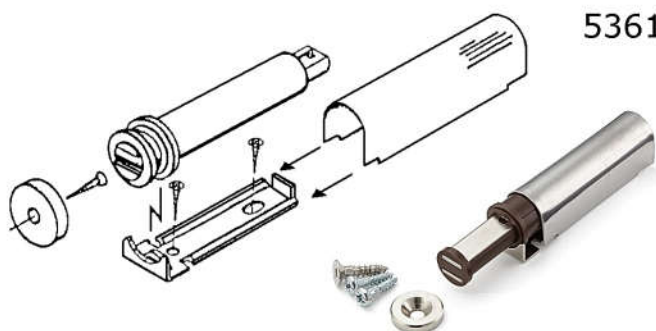
535139

magnetic latches
white plastic house, spring loaded, force 2,4 Kg
length 80/120mm, width 46mm, high 17mm
for cabinet doors without handle ###
"touch-latch", push to open: total 40mm extension
keep 3,5mm gap between door and cabinet
with steel nickel counter plate with 1 hole
in boxes of 20 Pcs. (delivery on request)



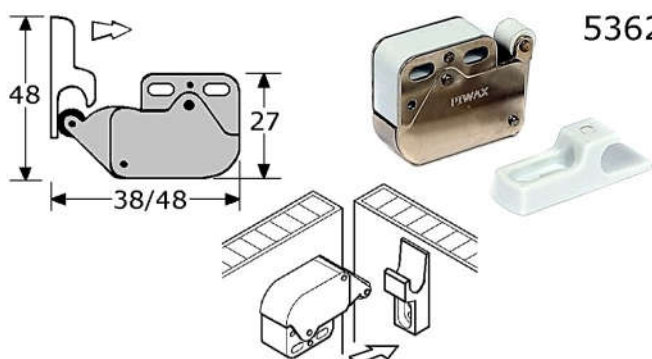
535121

magnetic latches
white plastic house, spring loaded, force 1,2 Kg
length 32/40mm, width 75mm, high 16mm
for cabinet doors without handle ###
"touch-latch", push to open: total 8mm extension
keep 3mm gap between door and cabinet
with steel nickel counter plate with 1 hole
in boxes of 30 Pcs. (with screws)



536125

slide magnetic latches
with rounded stainless steel cover
brown polyacetal mountingplate for screw on
length 60/75mm, width 15mm, high 17mm
for cabinet doors without handle ###
"touch-latch", push to open: total 15mm extension
keep 4mm gap between door and cabinet
unvisable mounting, magnetic force 1,2 Kg
with 2 countersunk screwholes under the cover
with steel nickel counter plate \varnothing 15mm with 1 hole
in boxes of 30 Pcs. (with screws)



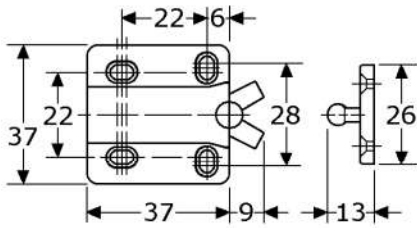
536241

roller latches with spring loaded roll
house stainless steel with white plastic
length 38/48mm, width 15mm, high 11mm
for cabinet doors without handle ###
"touch-latch", push to open: total 10mm extension
keep 2mm gap between door and cabinet
with white counter plate 36x11mm
in boxes of 50 Pcs.



PIMEX B.V.
Coenecoop 131
2741 PJ WADDINXVEEN (NL)
Tel. (31) 182 - 61 11 66
Email: info@pimex.nl

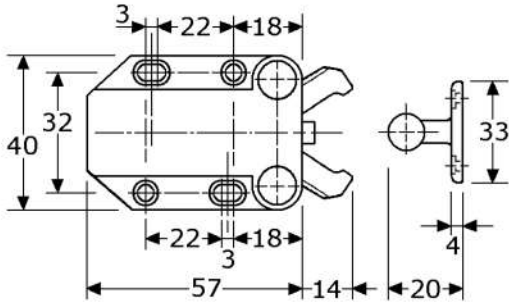
CATCHES



535828



"scorpion" grap latches 37x13,2mm
black polyacetal house, spring loaded, force 3 Kg
for cabinet doors without handle ###
"touch-latch", push to open: total 9mm extension
keep 3mm gap between door and cabinet
in boxes of 50 Pcs. (with screws)



535831



"scorpion" grap latches 57x16mm
white polyacetal house, spring loaded, force 4 Kg
for cabinet doors without handle ###
"touch-latch", push to open: total 14mm extension
keep 3mm gap between door and cabinet
in boxes of 30 Pcs. (with screws)

535836



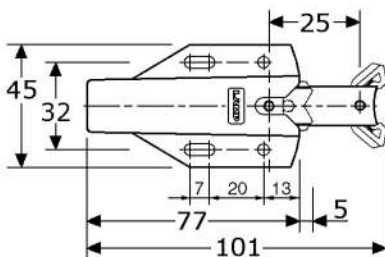
"scorpion" grap latches 57x16mm
brown polyacetal house, spring loaded, force 4 Kg
for cabinet doors without handle ###
"touch-latch", push to open: total 14mm extension
keep 3mm gap between door and cabinet
in boxes of 30 Pcs. (with screws)



535838



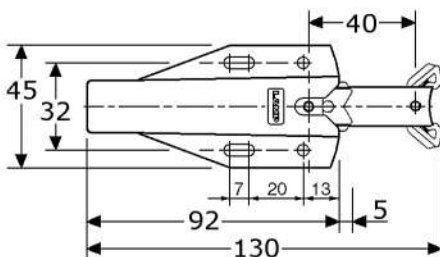
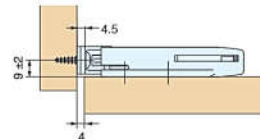
"scorpion" grap latches 57x16mm
black polyacetal house, spring loaded, force 4 Kg
for cabinet doors without handle ###
"touch-latch", push to open: total 14mm extension
keep 3mm gap between door and cabinet
in boxes of 30 Pcs. (with screws)



535843



"scorpion" grap latches 77/101mm
white polyacetal house, spring loaded, force 6 Kg
for cabinet doors without handle ###
"touch-latch", push to open: total 25mm extension
keep 4mm gap between door and cabinet
highness 16mm
in boxes of 20 Pcs. (with screws)



535849



"scorpion" grap latches 92/130mm
black polyacetal house, spring loaded, force 12 Kg
for cabinet doors without handle ###
"touch-latch", push to open: total 40mm extension
keep 4mm gap between door and cabinet
highness 16mm, can be used for maximum +120°C.
in boxes of 20 Pcs. (with screws)

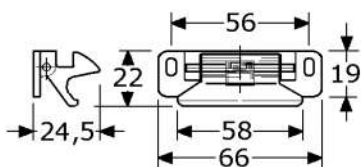


PIMEX B.V.
Coenecoop 131
2741 PJ WADDINXVEEN (NL)
Tel. (31) 182 - 61 11 66
Email: info@pimex.nl

CATCHES



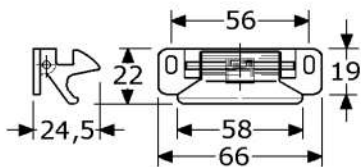
541411



lever latches 66mm
white polyamide
for unvisable mounting under cabinet
for cabinet doors without handle ###
highness 19-22mm, with steel spring
with steel nickel hook counter plate 30x17x10,6mm
with long holes
in boxes of 30 Pcs (delivery on request)



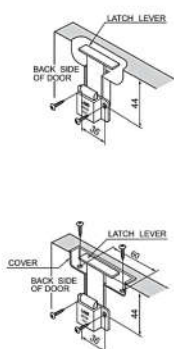
541416



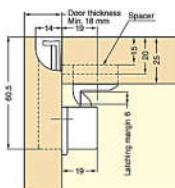
lever latches 66mm
brown polyamide
for unvisable mounting under cabinet
for cabinet doors without handle ###
highness 19-22mm, with steel spring
with steel nickel hook counter plate 30x17x10,6mm
with long holes
in boxes of 30 Pcs (delivery on request)



PIMEX has also in stock:
- lever latches in stainless steel 316/A4 (541277)
(measures are not the same as polyamide)
nice finish, see page GY-539a



541460



push knob latches (for built in)
white polyacetal
for mounting on top/bottom board of min. 18mm
for cabinet doors without handle ###
highness 60mm, with steel spring
with white polyamide counter plate 24x24mm
with white polyamide distance plates 24x24x5mm
in boxes of 40 Pcs. (delivery on request)

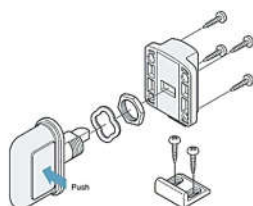
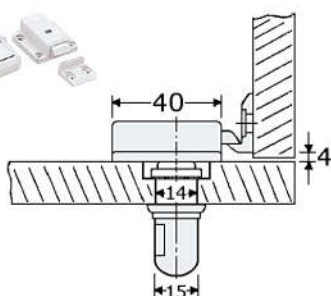


541461

cover 80mm (for 541460)
white polyacetal, with 2 countersunk holes



541887



knob safe latches (type SL-GB25-I)
with pinch ivory plastic knob, highness 30mm
with ivory plastic house 40x36mm
spring loaded, for door thickness 18-25mm
simple & profitable ###
with ivory plastic striking plate
for left and right use
in boxes of 50 Pcs.

PIMEX has also in stock:
- TLP push knob latches with white house
and brass polished or brass chrome knob,
see page GF-540a & GF-540b

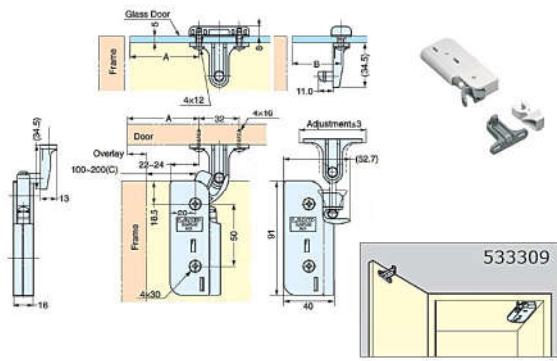


PIMEX has also in stock:
- cabinet door/drawer push latch with
stainless steel gripped knob \varnothing 36mm
and black nylon body (542233),
see page GY-539b



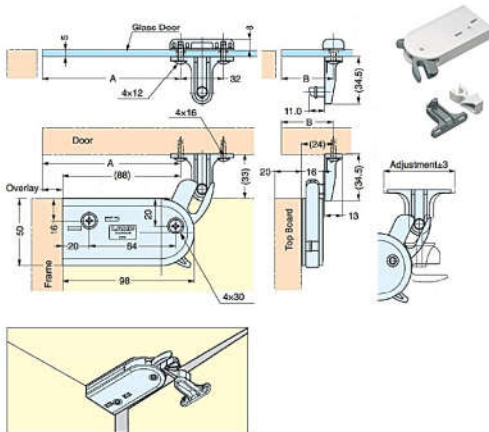
PIMEX B.V.
Coenecoop 131
2741 PJ WADDINXVEEN (NL)
Tel. (31) 182 - 61 11 66
Email: info@pimex.nl

CATCHES



533309

damper catch with softclosing
white+grey polyacetal
house 40x91x16mm with 2 mounting holes $\varnothing 4,1$ mm
for maximum door weight 4 Kg
for maximum door widthness 45cm
for maximum door highness 60cm
for left and right use, inset and overlay doors
easy goes back from 20° to 0°
(for mounting there is a small tooling in the box)
(for glass door: order also glass face plate 590890)
in boxes of 25 Pcs.



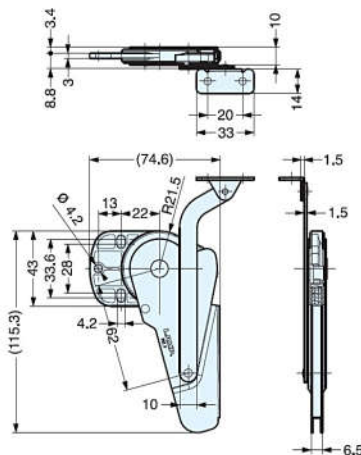
533310

damper catch with softclosing
white+grey polyacetal
house 50x98x16mm with 2 mounting holes $\varnothing 4,1$ mm
for maximum door weight 7 Kg
for maximum door widthness 60cm
for maximum door highness 80mm
for left and right use, inset and overlay doors
easy goes back from 20° to 0°
(for mounting there is a small tooling in the box)
(for glass door: order also glass face plate 590890)
in boxes of 25 Pcs.



590890

glass face plate (type SDS-50G+GP)
zinc alloy blanc (to use your own color)
for use with glass or acrylic doors/flaps
plate 48x16mm, thickness 7mm
with 2x holes M4, centre-centre 32mm
with black underplate
in boxes of 20 Pcs.



595287

cabinet door stay with damper, left
stainless steel 304/A2 mirror polished
with stainless steel arm, for maximum hook 90°
with grey plastic soft-closing for maximum 1 Kg
easy goes back from 70° to 0°
small type, needs only 15mm highness
delivery without mounting/distance plate
in boxes of 50 Pcs. (delivery on request)



595288

cabinet door stay with damper, right
stainless steel 304/A2 mirror polished
with stainless steel arm, for maximum hook 90°
with grey plastic soft-closing for maximum 1 Kg
easy goes back from 70° to 0°
small type, needs only 15mm highness
delivery without mounting/distance plate
in boxes of 50 Pcs. (delivery on request)

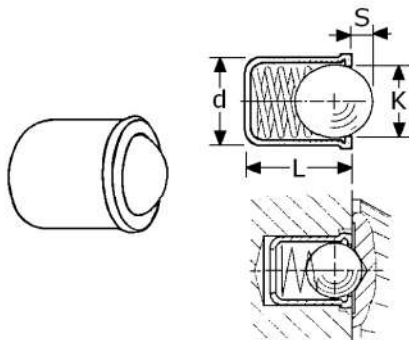


PIMEX has also telescopic drawers
with softclosing:

- in white steel, see page GF-903 (group 09)
- in stainless steel, see page GY-922/923)
- steel with ball bearing, see page GF-907

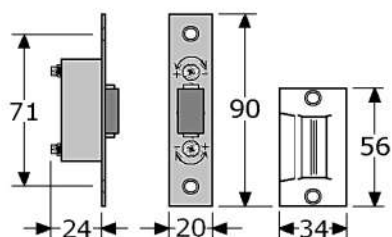


PIMEX B.V.
Coenecoop 131
2741 PJ WADDINXVEEN (NL)
Tel. (31) 182 - 61 11 66
Email: info@pimex.nl



539208

single ball catch $\varnothing 8 \times 9 \text{mm}$
 stainless steel 303/1.4305 polished
 length (L) 9mm, for opening diameter (d) $\varnothing 8 \text{mm}$
 with stainless steel spring, for maximum $+250^\circ\text{C}$.
 stainless steel hardened ball (K) $\varnothing 6,5 \text{mm}$, for 7-12 N
 ball surface (S) 1,9mm, backside closed
 in boxes of 20 Pcs.



539237

mortise catch with inside adjustable roll
 steel nickel roll, adjustable (from frontplate) 4mm
 front plate stainless steel 304/A2 90x20mm
 with steel nickel case 50x14mm, bore depth 24mm
 with 2 countersunk screwholes (4mm/M4)
 striking plate stainless steel 304/A2 56x34x1mm
 with 2 countersunk screwholes (4mm/M4)
 in boxes of 10 Pcs.



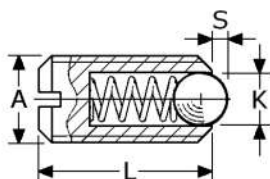
BR229505

single ball catch (AxL) M5x12
 stainless steel 303/1.4305 polished, adjustable
 with stainless steel spring, for maximum $+250^\circ\text{C}$.
 stainless steel hardened ball (K) $\varnothing 3 \text{mm}$, for 8-14 N
 ball surface (S) 0,9mm, backside with slot
 in boxes of 20 Pcs.



BR229506

single ball catch (AxL) M6x14
 stainless steel 303/1.4305 polished, adjustable
 with stainless steel spring, for maximum $+250^\circ\text{C}$.
 stainless steel hardened ball (K) $\varnothing 3,5 \text{mm}$, for 11-16 N
 ball surface (S) 1mm, backside with slot
 in boxes of 20 Pcs.



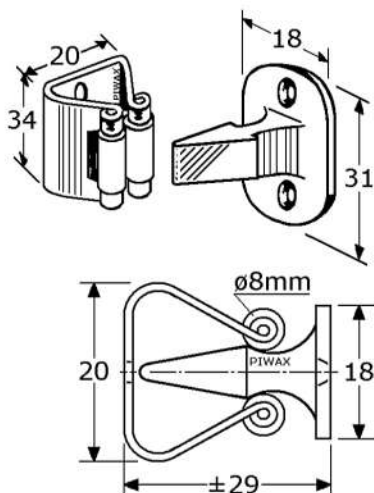
BR229508

single ball catch (AxL) M8x16
 stainless steel 303/1.4305 polished, adjustable
 with stainless steel spring, for maximum $+250^\circ\text{C}$.
 stainless steel hardened ball (K) $\varnothing 5 \text{mm}$, for 18-31 N
 ball surface (S) 1,5mm, backside with slot
 in boxes of 20 Pcs.



BR229510

single ball catch (AxL) M10x19
 stainless steel 303/1.4305 polished, adjustable
 with stainless steel spring, for maximum $+250^\circ\text{C}$.
 stainless steel hardened ball (K) $\varnothing 6 \text{mm}$, for 24-45 N
 ball surface (S) 2mm, backside with slot
 in boxes of 20 Pcs.

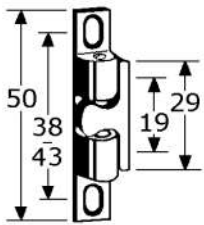


555262

PIWAX door holder 34x20mm
 stainless steel 304/A2 mirror polished
 wall mounting, for wall to door distance $\pm 29 \text{mm}$
 clamping, with 2 stainless steel spring roller $\varnothing 8 \text{mm}$
 holder: 34x20x1,5mm with 2 screwholes $\varnothing 4,5 \text{mm}$
 pin-part: 31x18mm with 2 countersunk holes
 in boxes of 20 Pcs.

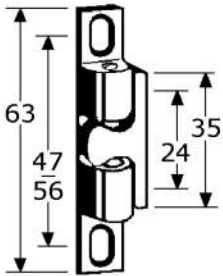


PIMEX B.V.
 Coenecoop 131
 2741 PJ WADDINXVEEN (NL)
 Tel. (31) 182 - 61 11 66
 Email: info@pimex.nl



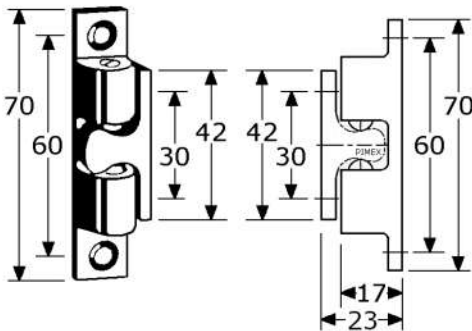
531252

double ball catches 50x8,5mm
stainless steel 316/A4 mirror polished
solid, small type, first quality, force 3 Kg
for wall to door distance ± 13 mm
length 50mm, highness 11mm, widthness 8,5mm
stainless steel hardened balls & stainless steel springs
with 2 long holes 7x4mm (centre-centre 38-43mm)
strike stainless steel 316/A4 29x8mm
with 2 countersunk holes c.t.c. 19mm (3,5/4/M3)
in boxes of 25 Pcs.



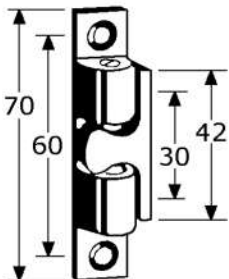
531253

double ball catches 63x10mm
stainless steel 316/A4 mirror polished
solid, small type, first quality, force 8 Kg
for wall to door distance $\pm 15,5$ mm
length 63mm, highness 13mm, widthness 10mm
stainless steel hardened balls & stainless steel springs
with 2 long holes 8x4mm (centre-centre 47-56mm)
strike stainless steel 316/A4 35x9mm
with 2 countersunk holes c.t.c. 24mm (4mm/M4)
in boxes of 25 Pcs.



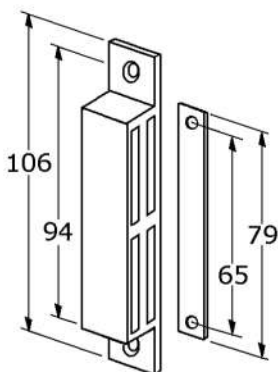
531256

double ball catches 70x13mm
stainless steel 304/A2 mirror polished
solid, small type, first quality, force 6 Kg
for wall to door distance ± 23 mm
length 70mm, highness 17mm, widthness 13mm
stainless steel hardened balls & stainless steel springs
with 2 countersunk holes c.t.c. 60mm (4/4,5/M4)
strike stainless steel 304/A2 42x10,5mm
with 2 countersunk holes c.t.c. 30mm (4/4,5/M4)
in boxes of 10 Pcs.



531257

double ball catches 70x13mm
stainless steel 316/A4 mirror polished
solid, small type, first quality, force 6 Kg
for wall to door distance ± 23 mm
length 70mm, highness 17mm, widthness 13mm
stainless steel hardened balls & stainless steel springs
with 2 countersunk holes c.t.c. 60mm (4/4,5/M4)
strike stainless steel 316/A4 42x10,5mm
with 2 countersunk holes c.t.c. 30mm (4/4,5/M4)
in boxes of 10 Pcs.

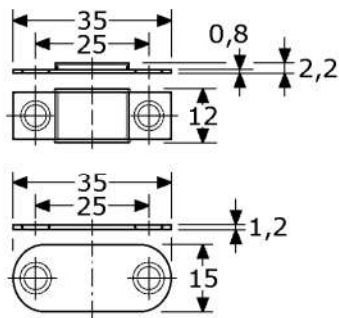


534882

magnetic catches 106x18mm
house white polyamid
magnetic force 5,6 Kg, ferrite magnet
length 106mm, highness 16mm, widthness 18mm
with 2 countersunk holes c.t.c. 94mm (3mm/M3)
with counter plate stainless steel (430) 79x14x2mm
with 2 countersunk holes c.t.c. 65mm (3,5/M4)
in boxes of 6 Pcs. (with screws)

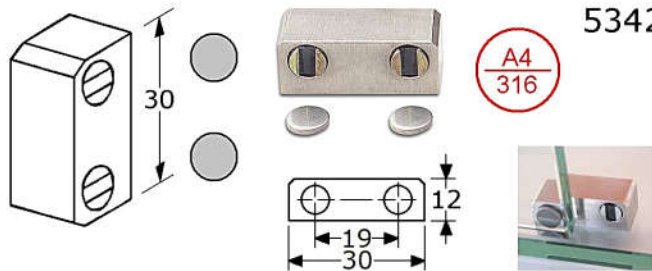


PIMEX B.V.
Coenecoop 131
2741 PJ WADDINXVEEN (NL)
Tel. (31) 182 - 61 11 66
Email: info@pimex.nl



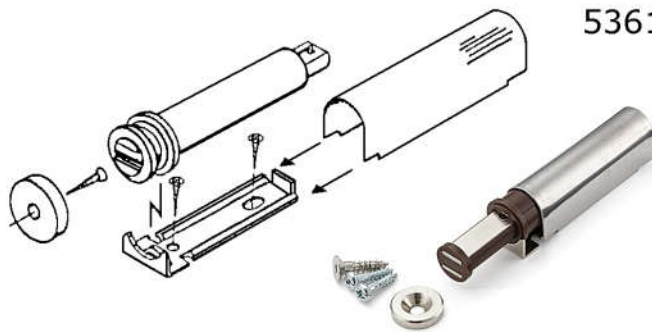
534215

magnetic catches 35x12mm
 stainless steel 304/A2 (magnet neodymium)
 ultra thin, need only space 2,2mm !!!
 for use directly between case and door
 (with use of counter plate, you need space 3,4mm)
 magnetic force 2,3 Kg, can be used for +80°C.
 catch: with 2 countersunk holes (for M3/M4)
 with counter plate stainless steel (430) 35x15x1,2mm
 counter plate: with 2 countersunk holes (3mm/M3)
 in boxes of 100 Pcs. with counter plate



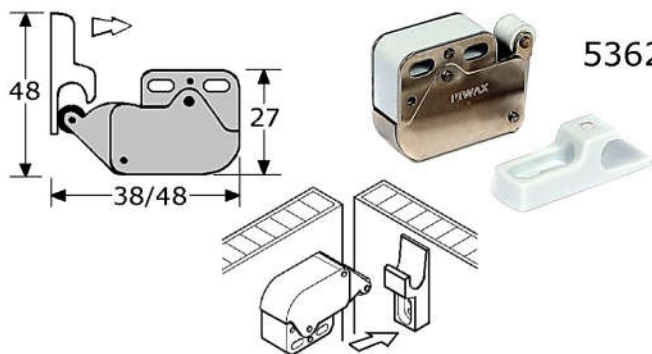
534254

magnetic catches 30x12mm
 stainless steel 316/A4 satin polished
 nice finish, first quality
 length 30mm, width 12mm, high 12mm
 ### special for UV bonding for glass ###
 magnetic force 2 Kg
 with 2 counter plates stainless steel (430) ø8mm
 in boxes of 10 Pcs.



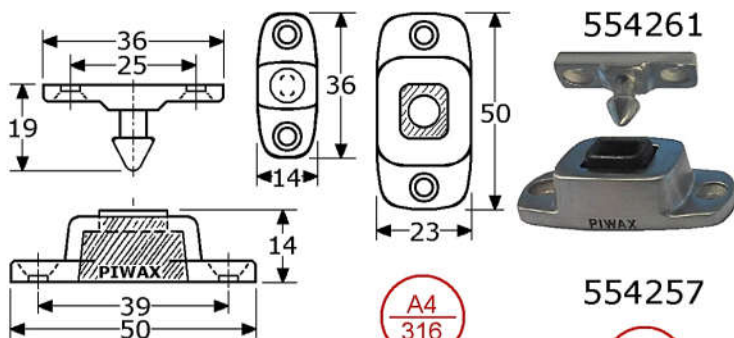
536125

slide magnetic latches
 with rounded stainless steel cover
 brown polyacetal mountingplate for screw on
 length 60/75mm, width 15mm, high 17mm
 ### for cabinet doors without handle ###
 "touch-latch", push to open: total 15mm extension
 keep 4mm gap between door and cabinet
 unvisable mounting, magnetic force 1,2 Kg
 with 2 countersunk screwholes under the cover
 with steel nickel counter plate ø15mm with 1 hole
 in boxes of 30 Pcs. (with screws)



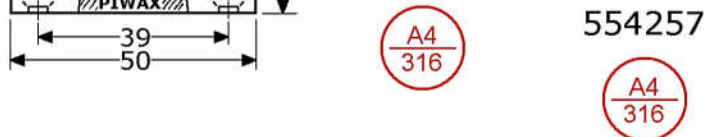
536241

roller latches with spring loaded roll
 house stainless steel with white plastic
 length 38/48mm, width 15mm, high 11mm
 ### for cabinet doors without handle ###
 "touch-latch", push to open: total 10mm extension
 keep 2mm gap between door and cabinet
 with white counter plate 36x11mm
 in boxes of 50 Pcs.



554261

PIWAX door holder 50x23mm
 stainless steel 316/A4 satin polished
 strong model, nice finish, first quality
 wall mounting, for wall to door distance ±20mm
 clamping, with inside black EPDM catch
 with 2+2 countersunk screwholes (4,2mm/M4)
 in boxes of 25 Pcs.



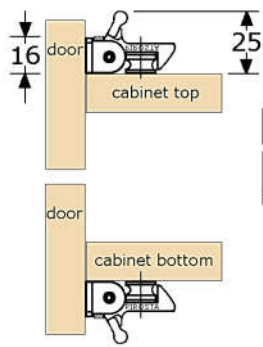
554257

PIWAX door holder 50x23mm
 like 554261, but SS-316/A4 mirror polished
 in boxes of 25 Pcs.

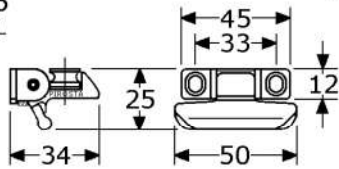
for bigger door holders
 in stainless steel,
 see page GY-554 & GY-555



PIMEX B.V.
 Coenecoop 131
 2741 PJ WADDINXVEEN (NL)
 Tel. (31) 182 - 61 11 66
 Email: info@pimex.nl



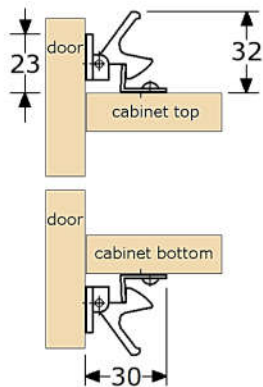
541270



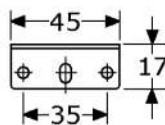
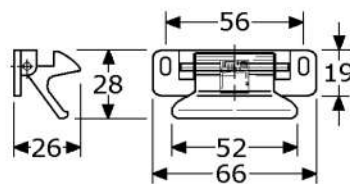
lever latches 45mm
 stainless steel 316/A4 mirror polished
 pull lever 50mm, with stainless steel spring
 for unvisable mounting under cabinet (or top)
 ### for cabinet doors without handle ###
 highness 16-25mm
 lever latch: with 2 long holes c.t.c. 33mm
 with black nylon off-centre strike roller \varnothing 13mm
 strike roller: off-centre=adjustable
 strike roller: high 8mm, with 1 screwhole (4mm)
 in boxes of 10 Pcs.



with marking hole in the lever latch
 for easy mounting of the strike roller



541277



lever latches 66mm
 stainless steel 316/A4 mirror polished
 pull lever 52mm, with stainless steel spring
 for unvisable mounting under cabinet (or top)
 ### for cabinet doors without handle ###
 highness 23-32mm
 lever latch: with 2 long holes c.t.c. 56mm
 with hook counter plate SS-316 45x17x10mm
 hook counter plate: 3x holes \varnothing 4,2mm c.t.c. 35mm
 in boxes of 10 Pcs.

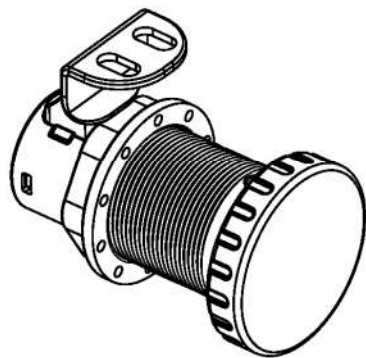


also possible on request:

- white polyamide (541411)
 with steel nickel hook counter plate 30x17x10,6mm
 (measures are not the same as the stainless steel)
 see page GF-536b
- brown polyamide (541416)
 with steel nickel hook counter plate 30x17x10,6mm
 (measures are not the same as the stainless steel)
 see page GF-536b



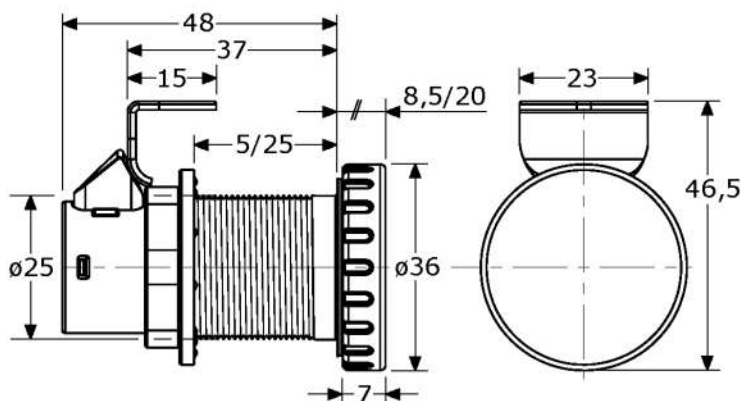
PIMEX B.V.
 Coenecoop 131
 2741 PJ WADDINXVEEN (NL)
 Tel. (31) 182 - 61 11 66
 Email: info@pimex.nl



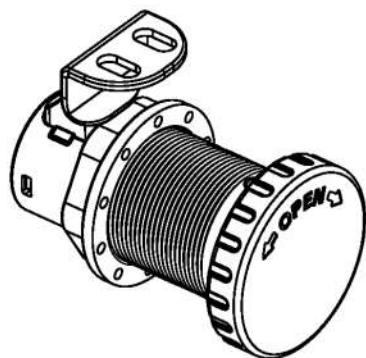
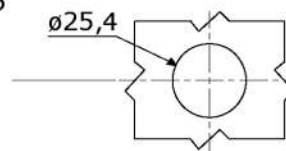
542233



cabinet door/drawer push latch $\varnothing 36\text{mm}$
 knob: stainless steel 304/A2 mirror polished,
 gripped knob $\varnothing 36\text{mm}$ "neutral"
 knob thickness 7mm, highness 8,5/20mm
 body: black nylon body $\varnothing 25\text{mm}$, length 48mm
 with black nylon catch, spring loaded
 push: pushing the knob = locking the latch
 dead bolt will be locked when knob is pushed in
 open: turn $\pm 10^\circ$ the knob left or right,
 the knob will be coming out and
 the catch is not more locked
 with black nylon nut
 hole $\varnothing 25,4\text{mm}$, for door thickness 5-25mm
 with hook counter plate SS-304 with 2 long holes
 in boxes of 10 Pcs.



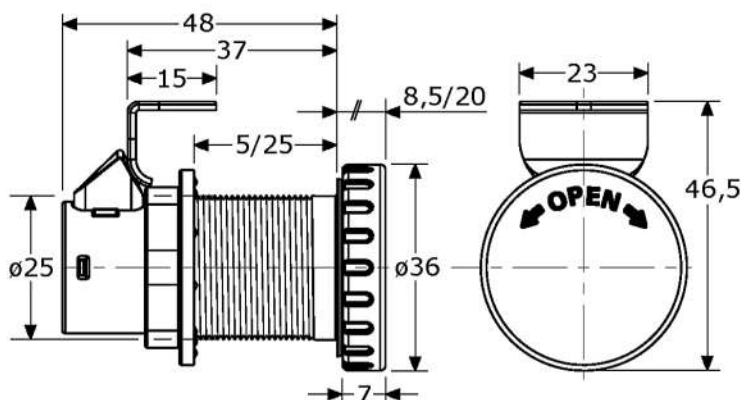
installation



542234



cabinet door/drawer push latch $\varnothing 36\text{mm}$
 knob: stainless steel 304/A2 mirror polished,
 gripped knob $\varnothing 36\text{mm}$ with "<- OPEN ->"
 knob thickness 7mm, highness 8,5/20mm
 body: black nylon body $\varnothing 25\text{mm}$, length 48mm
 with black nylon catch, spring loaded
 push: pushing the knob = locking the latch
 dead bolt will be locked when knob is pushed in
 open: turn $\pm 10^\circ$ the knob left or right,
 the knob will be coming out and
 the catch is not more locked
 with black nylon nut
 hole $\varnothing 25,4\text{mm}$, for door thickness 5-25mm
 with hook counter plate SS-304 with 2 long holes
 in boxes of 10 Pcs.



PIMEX B.V.
 Coenecoop 131
 2741 PJ WADDINXVEEN (NL)
 Tel. (31) 182 - 61 11 66
 Email: info@pimex.nl