

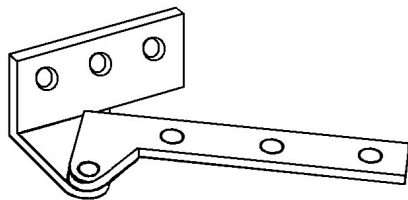
**379201**

pivot hinges 61x2mm, stand LEFT stainless steel 304/A2 satin polished for inset door, maximum opening 270° flat, for door thickness ±12-22mm for use LEFT-under & LEFT-up widthness 11,5mm, thickness 2mm with 2x3 countersunked screwholes (3mm/M3) in boxes of 100 Pcs.



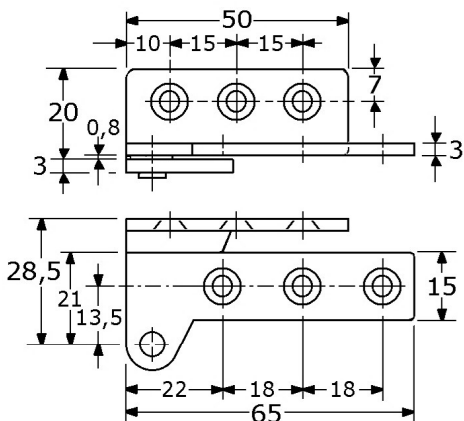
**379202**

pivot hinges 61x2mm, stand RIGHT stainless steel 304/A2 satin polished for inset door, maximum opening 270° flat, for door thickness ±12-22mm for use RIGHT-under & RIGHT-up widthness 11,5mm, thickness 2mm with 2x3 countersunked screwholes (3mm/M3) in boxes of 100 Pcs.



**379211**

pivot hinges 65x3mm, stand LEFT stainless steel 430/1.4016 satin polished for flush overlaid door, maximum opening 270° for door thickness ±15-22mm for use LEFT-under & RIGHT-up widthness 15mm, thickness 3mm with 2x3 countersunked screwholes (4,5mm/M5) in boxes of 40 Pcs.



**379212**

pivot hinges 65x3mm, stand RIGHT stainless steel 430/1.4016 satin polished for flush overlaid door, maximum opening 270° for door thickness ±15-22mm for use RIGHT-under & LEFT-up widthness 15mm, thickness 3mm with 2x3 countersunked screwholes (4,5mm/M5) in boxes of 40 Pcs.



**379293**

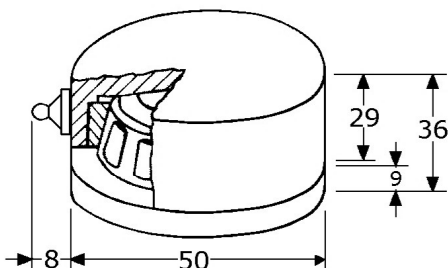
pivot upper hinges ø50mm for opening 360° stainless steel 304/A2 unpolished with heavy duty plate 110x50x8mm adjustable mounted with 2x bolt M10 underrose ø26mm with pin ø17mm (high 10mm) inside ball bearing, for weld-on, highness 41mm in boxes of 4 Pcs.



maximum weight load 500 Kg

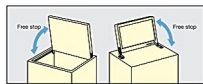
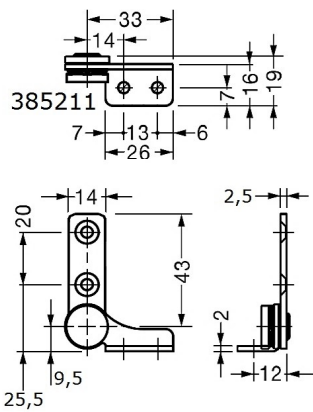
**379294**

pivot under hinges ø50mm for opening 360° stainless steel 304/A2 unpolished with inside 15 thrust bearing rollers with brass grease nipple, inside black O-ring maximum loading 500 Kg (5000 N) for weld-on, highness 36mm in boxes of 4 Pcs.



**PIMEX B.V.**  
Coenecoop 131  
2741 PJ WADDINXVEEN (NL)  
Tel. (31) 182 - 61 11 66  
Email: info@pimex.nl

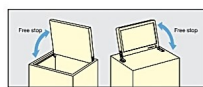
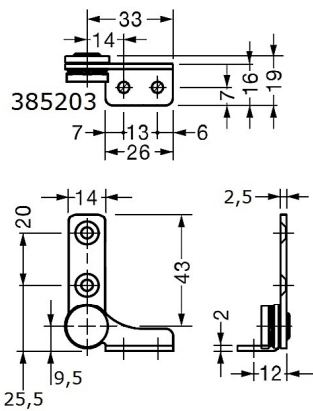
**PIVOT HINGES , stainless steel**



**385211**  
**385212**

detent hinges with friction  
stainless steel 304/A2 with knuckle 303/1.4305  
with stainless steel washers  
with friction, hold door/lid in desired position  
torque 15 Kg/cm, torque not adjustable  
(hinge can be opened by hand)  
knuckle  $\varnothing 17\text{mm}$ , maximum opening  $360^\circ$   
with 2 holes  $\varnothing 4,3\text{mm}$  and 2 countersunk holes

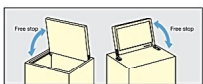
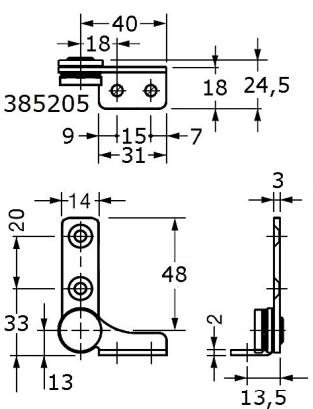
h x w x thickness	knuckle	boxes
43 x 14 x 2,5mm	$\varnothing 17\text{mm}$	10 Pcs
43 x 14 x 2,5mm	$\varnothing 17\text{mm}$	10 Pcs



**385203**  
**385204**

detent hinges with friction  
stainless steel 304+430 polished  
with steel washers and stainless steel washers  
with friction, hold door/lid in desired position  
torque 30 Kg/cm, torque not adjustable  
(hinge can be opened by hand)  
knuckle  $\varnothing 17\text{mm}$ , maximum opening  $360^\circ$   
(delivery on request)

h x w x thickness	knuckle	boxes
43 x 14 x 2,5mm	$\varnothing 17\text{mm}$	40 Pcs
43 x 14 x 2,5mm	$\varnothing 17\text{mm}$	40 Pcs



**385205**  
**385206**

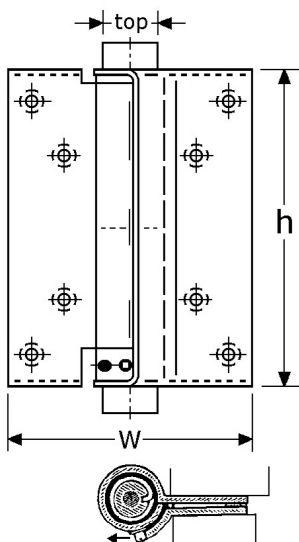
detent hinges with friction  
stainless steel 304+430 polished  
with steel washers and stainless steel washers  
with friction, hold door/lid in desired position  
torque 45 Kg/cm, torque not adjustable  
(hinge can be opened by hand)  
knuckle  $\varnothing 22\text{mm}$ , maximum opening  $360^\circ$   
(delivery on request)

h x w x thickness	knuckle	boxes
48 x 18 x 3 mm	$\varnothing 22\text{mm}$	20 Pcs
48 x 18 x 3 mm	$\varnothing 22\text{mm}$	20 Pcs



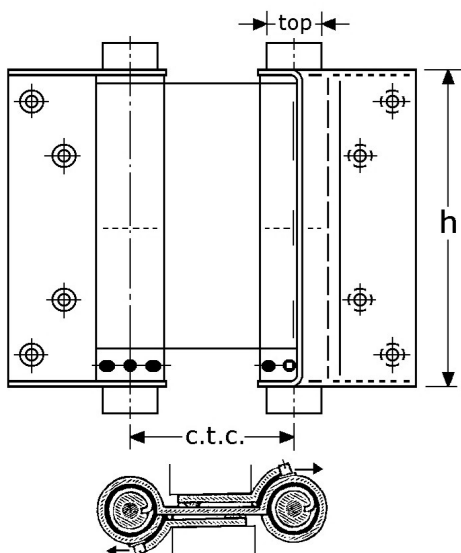
**PIMEX B.V.**  
Coenecoop 131  
2741 PJ WADDINXVEEN (NL)  
Tel. (31) 182 - 61 11 66  
Email: info@pimex.nl

**SPRING HINGES , stainless steel**



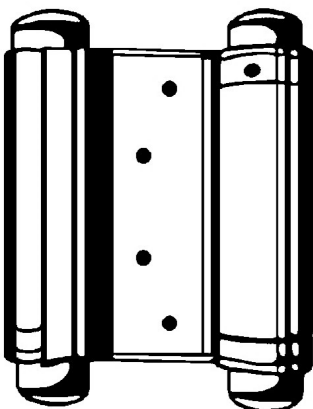
spring single action hinges, for 1 way door  
stainless steel 304/1.4301 satin polished  
for 1x opening 180° to left OR to right  
adjustable spring stainless steel 301/1.4310  
maximum door weight for 2 hinges/door

- 380243 high 75mm, single action, for door 18-25mm top ø18mm, total width 64mm, for 15 Kg
- 380244 high 100mm, single action, for door 25-33mm top ø18mm, total width 75mm, for 22 Kg
- 380236 high 150mm, single action, for door 33-44mm top ø20mm, total width 105mm, for 40 Kg
- 380246 high 150mm, single action, for door 33-44mm top ø25mm, total width 102mm, for 40 Kg
- 380247 high 175mm, single action, for door 40-47mm top ø25mm, total width 112mm, for 55 Kg
- 380248 high 200mm, single action, for door 44-55mm top ø29mm, total width 131mm, for 70 Kg
- 380249 high 250mm, single action, for door 50-60mm top ø34mm, total width 167mm, for 100 Kg

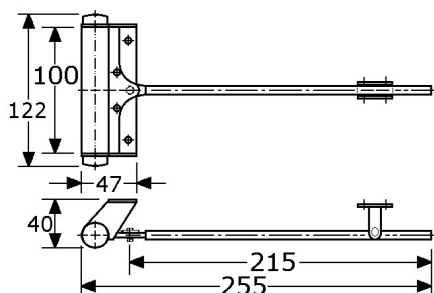


spring double action hinges, for 2 way door  
stainless steel 304/1.4301 satin polished  
for 2x opening 180°  
adjustable spring stainless steel 301/1.4310  
maximum door weight for 2 hinges/door

- 381233 high 75mm, double action, for door 18-25mm top ø17mm, 2x pin c.t.c. 53mm, for 15 Kg
- 381243 high 75mm, double action, for door 18-25mm top ø18mm, 2x pin c.t.c. 48mm, for 15 Kg
- 381234 high 100mm, double action, for door 25-33mm top ø17mm, 2x pin c.t.c. 58mm, for 22 Kg
- 381244 high 100mm, double action, for door 25-33mm top ø18mm, 2x pin c.t.c. 54mm, for 22 Kg
- 381236 high 150mm, double action, for door 33-44mm top ø20mm, 2x pin c.t.c. 73mm, for 40 Kg
- 381246 high 150mm, double action, for door 33-44mm top ø25mm, 2x pin c.t.c. 77mm, for 40 Kg
- 381247 high 175mm, double action, for door 40-47mm top ø25mm, 2x pin c.t.c. 85mm, for 55 Kg
- 381248 high 200mm, double action, for door 44-55mm top ø29mm, 2x pin c.t.c. 94mm, for 70 Kg
- 381249 high 250mm, double action, for door 50-60mm top ø34mm, 2x pin c.t.c. 108mm, for 100 Kg



**588234**



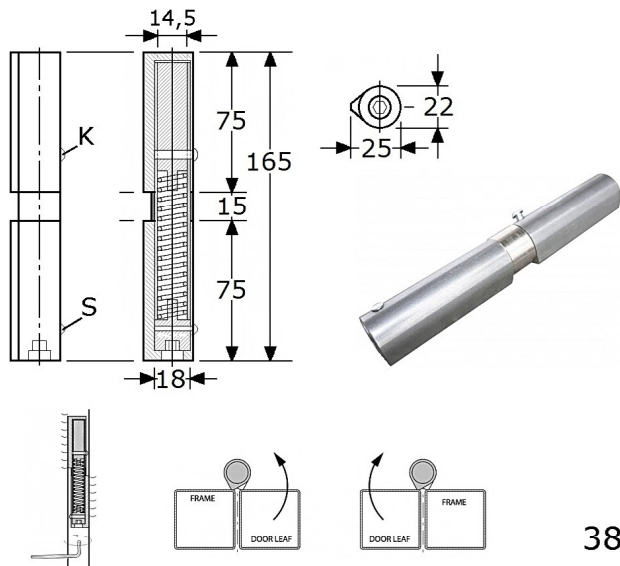
doorcloser, highness 100mm  
stainless steel 304/A2 satin polished  
with rod stainless steel 304/A2 ø8x215mm  
with rod guide stainless steel with nylon ø10mm  
flat surface mounting  
spring adjustable & can be (temporary) switched off  
in boxes of 10 Pcs.



**PIMEX B.V.**  
Coenecoop 131  
2741 PJ WADDINXVEEN (NL)  
Tel. (31) 182 - 61 11 66  
Email: info@pimex.nl



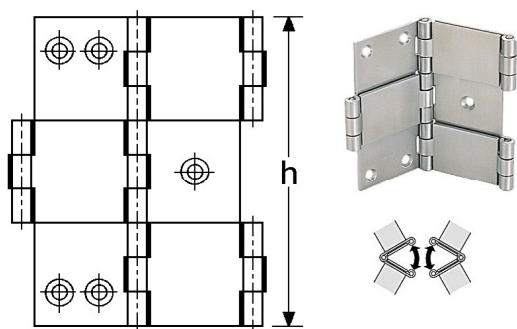
**SPECIAL HINGES , stainless steel**



weld-on spring hinges, high 165mm  
 stainless steel 303/304 unpolished  
 profile 25x22mm with welding point, top flat head  
 hollow top pin stainless steel ø18mm  
 (top pin is placed over the massive under pin)  
 under pin stainless steel ø14,5mm  
 under pin to be fixed with stainless steel rivet (K)  
 demountable stainless steel spring of ø3,8mm  
 washer stainless steel ø22mm with highness 15mm  
 under part with stainless steel inner regulation plug  
 up to 4 points adjustable by hex key, fixed by pin (S)  
 for left or right use, maximum opening 180°  
 for doors of 60 Kg

high	profile	box
165mm	25x22mm	10 Pcs.

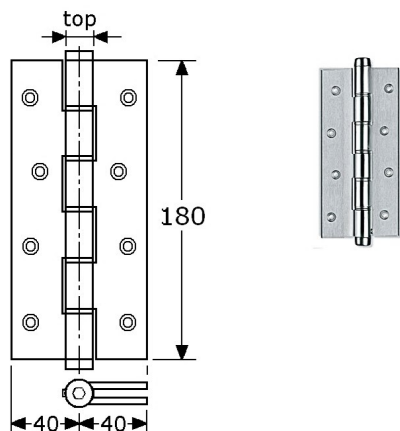
**382437**



hinges with double action, without spring  
 stainless steel 304/A2 satin polished  
 for 2x opening 180°, not spring loaded  
 thickness 2mm, small knuckle ø7,5mm  
 with 2x fixed stainless steel pin  
 for exemple: for draught-screen, folding-screen  
 with 10 countersunk screwholes

h	x thickness	door	pin	box
70	x 2 mm	25-35mm	3,5mm	10 Pcs.
80	x 2 mm	35-43mm	3,5mm	10 Pcs.

**384236**  
**384239**



hinges with single action (LAMP JSA-58S)  
 stainless steel 304/A2 satin polished  
 for 1x opening 180° to left OR to right  
 spring loaded, spring adjustable  
 knuckle ø18mm, with 4 stainless steel washers  
 with 8 countersunk screwholes (5mm/M5)  
 (delivery on request)

h	x thickness	door	knuckle	box
180	x 3 mm	±40mm	18mm	10 Pcs.

**383208**

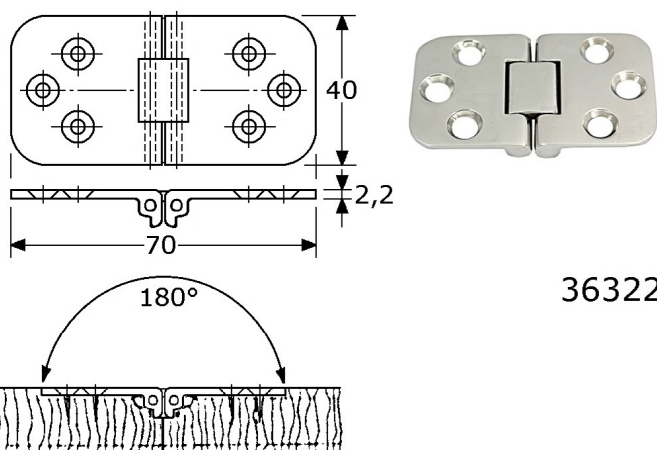


table top hinges with double action  
 stainless steel 316/A4 mirror polished  
 with 2x low fixed pin out of stainless steel 316/A4  
 fully flat with one double joint  
 maximum opening 180°, with rounded corners  
 with 6 countersunk screwholes (4,5mm/M5)

h	x w	x thickness	pin	box
40	x 70	x 2,2mm	3mm	20 Pcs.

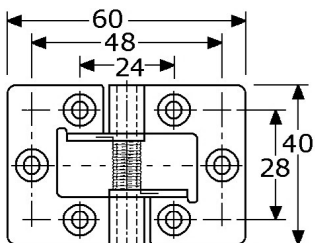
**363221**



**PIMEX B.V.**  
 Coenecoop 131  
 2741 PJ WADDINXVEEN (NL)  
 Tel. (31) 182 - 61 11 66  
 Email: info@pimex.nl



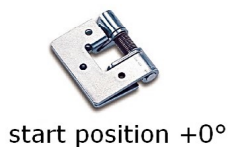
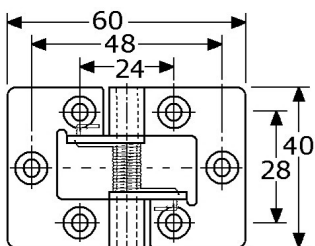
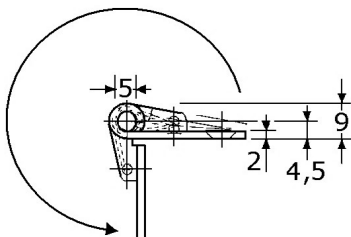
**SPRING HINGES , stainless steel**



**386243**

hinges with stainless steel spring  $\varnothing 0,9\text{mm}$   
 stainless steel 304/A2  
 flat, plate in the middle strengthen  
 spring goes back to start position  $+285^\circ$   
 possibility to full open (can by hand) to  $+0^\circ$   
 indication spring torsion: first  $90^\circ = 1,5 \text{ Kg (15N)}$   
 with 6 countersunk screwholes (4,5/5mm)

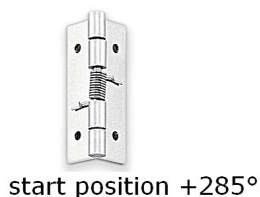
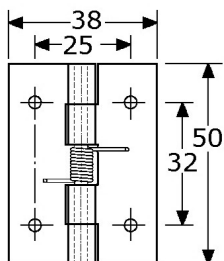
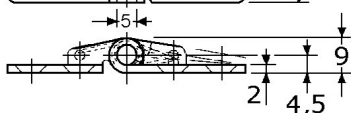
h	x	w	x	thickness	pin	box
40	x	60	x	2 mm	5mm	20 Pcs.



**386245**

hinges with stainless steel spring  $\varnothing 0,9\text{mm}$   
 stainless steel 304/A2, self closing  
 flat, plate in the middle strengthen  
 spring goes back to start position  $+0^\circ$   
 possibility to full open (can by hand) to max.  $+285^\circ$   
 indication spring torsion: first  $90^\circ = 1,5 \text{ Kg (15N)}$   
 with 6 countersunk screwholes (4,5/5mm)

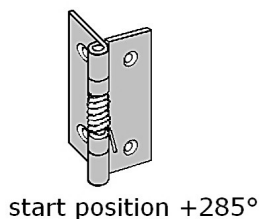
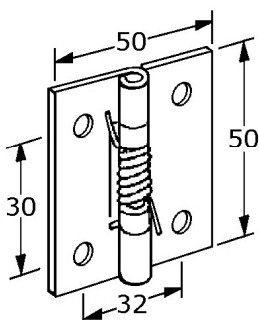
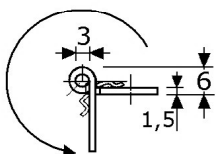
h	x	w	x	thickness	pin	box
40	x	60	x	2 mm	5mm	20 Pcs.



**386248**

hinges with stainless steel spring  $\varnothing 0,9\text{mm}$   
 stainless steel 304/A2  
 flat, not strengthen  
 spring goes back to start position  $+285^\circ$   
 possibility to full open (can by hand) to  $+0^\circ$   
 indication spring torsion: first  $90^\circ = 1,5 \text{ Kg (15N)}$   
 with 4 round screwholes  $\varnothing 3,2\text{mm}$

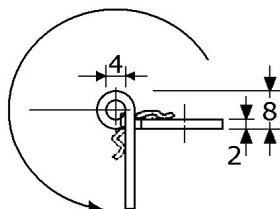
h	x	w	x	thickness	pin	box
50	x	38	x	1,5mm	3mm	20 Pcs.



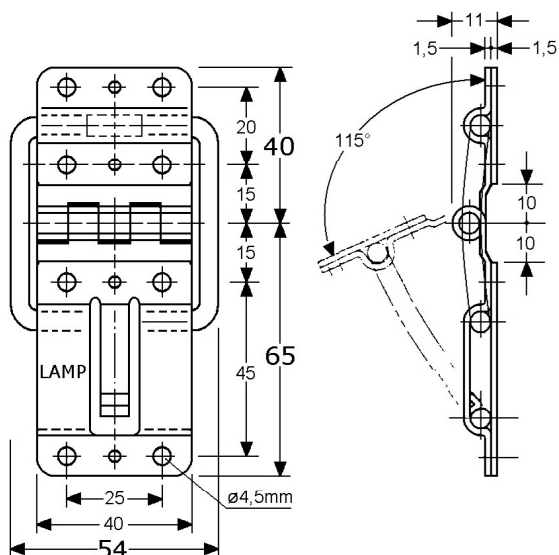
**386252**

hinges with stainless steel spring  $\varnothing 1,5\text{mm}$   
 stainless steel 304/A2  
 flat, with heavy spring (spring no guarantee)  
 spring goes back to start position  $+285^\circ$   
 (possibility to open about  $100^\circ$  by hand to  $+185^\circ$ )  
 possibility to open about  $200^\circ$  mounted on door  
 indication spring torsion: first  $90^\circ = 7,5 \text{ Kg (75N)}$   
 with 4 round screwholes  $\varnothing 5,1\text{mm}$

h	x	w	x	thickness	pin	box
50	x	50	x	2 mm	4mm	25 Pcs.



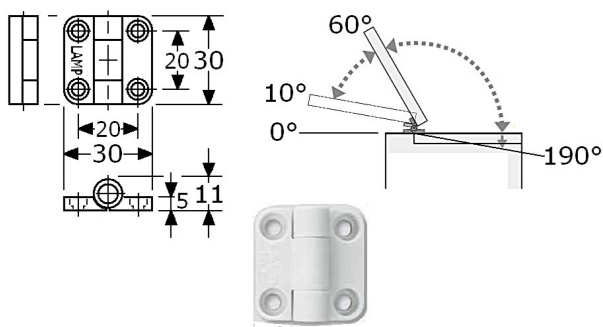
**PIMEX B.V.**  
 Coenecoop 131  
 2741 PJ WADDINXVEEN (NL)  
 Tel. (31) 182 - 61 11 66  
 Email: info@pimex.nl



**396214**

detent hinges without friction  
 stainless steel 304/A2 electro polished  
 flat mounting, plate 40x1,5mm double folded  
 total length 105mm (65+40mm)  
 with fixed pin stainless steel 304/A2 ø5mm  
 with stop pin stainless steel 304/A2 ø5mm  
 maximum widthness stop pin 54mm  
 with stop/blocking on 95°  
 automatical snapping on 115°  
 no left or right, maximum opening 115°  
 with 8 screwholes ø4,5mm

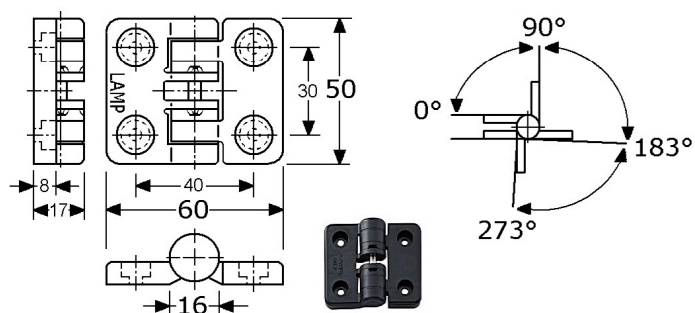
L	x	w	x	h	pin	box
105	x	40	x	1,5mm	5mm	10 Pcs.



**461801**

detent hinges  
 white polyamid (PA)  
 without spring, holds door in 3 different positions:  
 with blocking on +10°, +60° and +190°  
 with extra power on +180° to push to +190°  
 fixed pin, knuckle ø9,5mm, total highness 11mm  
 with 4 round screwholes ø4,2mm (4mm/M4-CK)  
 delivery on request

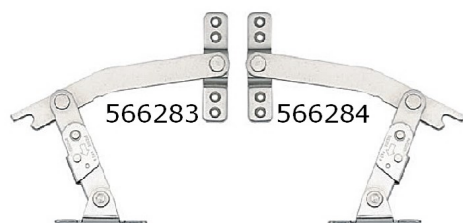
L	x	w	x	h	box
30	x	30	x	5mm	20 Pcs.



**461848**

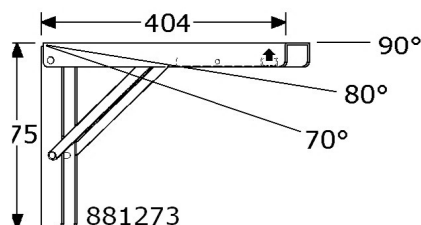
detent hinges  
 black polyamid (PA)  
 without spring, holds door in 4 different positions:  
 with blocking on 0°, +90°, +183° and +273°  
 with fixed stainless steel pin ø4,5mm  
 knuckle ø16mm, total highness 17mm  
 with 4 lower screwholes ø4,2mm (4mm/M4-CK)  
 with 4 black plastic covers ø13mm

L	x	w	x	h	pin	box
50	x	60	x	8mm	ø4,5mm	20 Pcs.



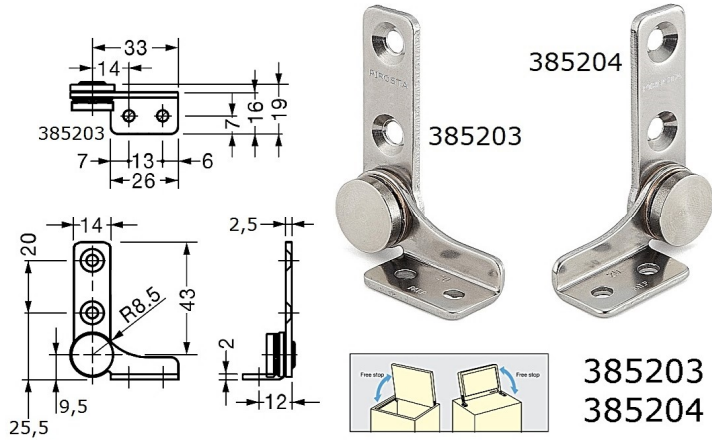
PIMEX has also stainless steel stays/door holders  
 with automatical locking on 100° opening  
 see also page GY-572a (group 05)

PIMEX has also in stainless steel folding brackets, see page GY-882 (group 08)



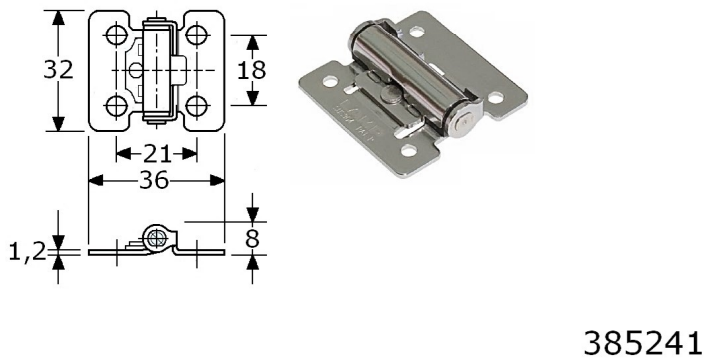
**PIMEX B.V.**  
 Coenecoop 131  
 2741 PJ WADDINXVEEN (NL)  
 Tel. (31) 182 - 61 11 66  
 Email: info@pimex.nl

**DETENT HINGES, stainless steel**



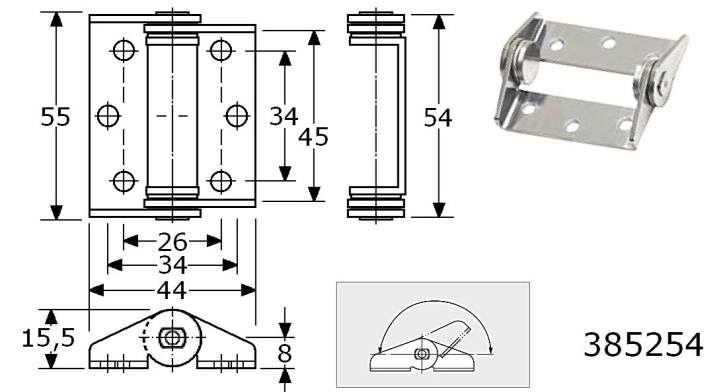
detent hinges with friction  
 stainless steel 304/430 polished  
 flat mounting, knuckle  $\varnothing 17\text{mm}$   
 with friction, hold door/lid in desired position  
 torque 30 Kgf/cm (can be opened by hand)  
 with steel rings, maximum opening 360°  
 with 2 holes  $\varnothing 4,3\text{mm}$  and 2 countersunk holes

h	x	w	x	thickness		box
43	x	14	x	2,5mm	(type TB-30L)	10 Pcs.
43	x	14	x	2,5mm	(type TB-30R)	10 Pcs.



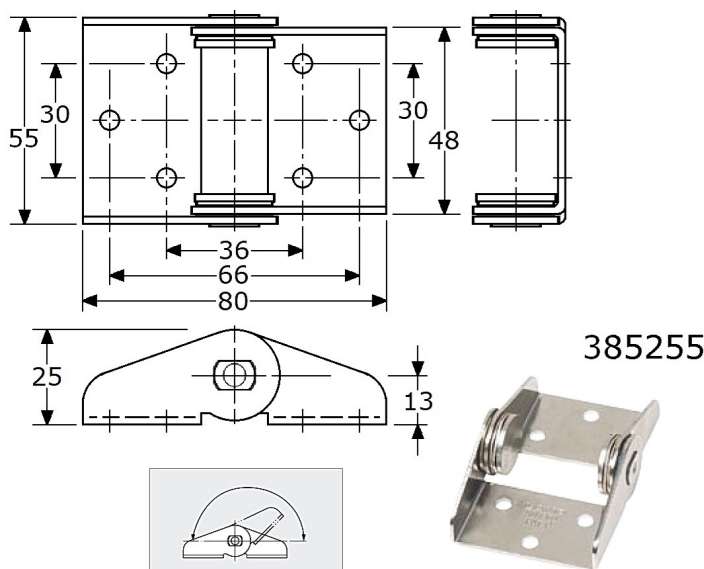
detent hinges with friction  
 stainless steel 304/A2 polished  
 flat mounting, knuckle  $\varnothing 8\text{mm}$   
 with friction, hold door/lid in desired position  
 torque 3,6 Kgf/cm (can be opened by hand)  
 stainless steel pin; inside black polyacetal  
 no left or right, maximum opening 180°  
 with 4 screwholes  $\varnothing 4,3\text{mm}$

h	x	w	x	thickness	knuckle	box
32	x	36	x	1,2mm	8mm	10 Pcs.



detent hinges with friction  
 stainless steel 304/A2 polished  
 flat mounting, highness 15,5mm  
 with friction, hold door/lid in desired position  
 torque 35 Kgf/cm (can not be opened by hand)  
 with steel & bronze rings  
 no left or right, maximum opening 180°  
 with 6 screwholes  $\varnothing 4,3\text{mm}$

h	x	w	x	thickness		box
54	x	44	x	2 mm		10 Pcs.



detent hinges with friction  
 stainless steel 304/A2 polished  
 flat mounting, highness 25mm  
 with friction, hold door/lid in desired position  
 torque 50 Kgf/cm (can not be opened by hand)  
 with steel & bronze rings  
 no left or right, maximum opening 180°  
 with 6 screwholes  $\varnothing 5,3\text{mm}$

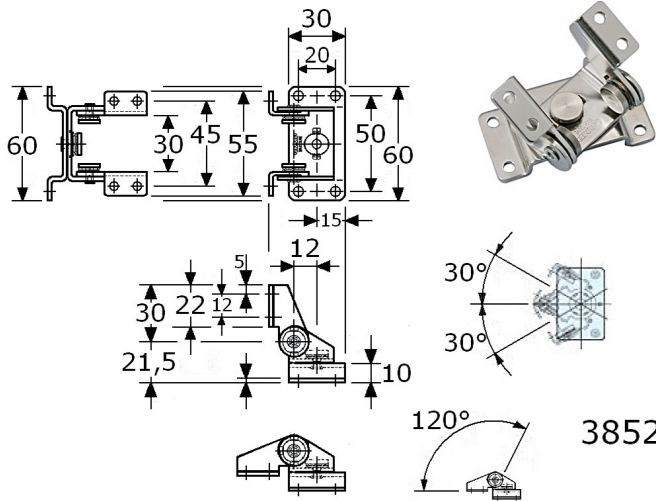
h	x	w	x	thickness		box
54	x	80	x	2 mm		10 Pcs.



**PIMEX B.V.**  
 Coenecoop 131  
 2741 PJ WADDINXVEEN (NL)  
 Tel. (31) 182 - 61 11 66  
 Email: info@pimex.nl



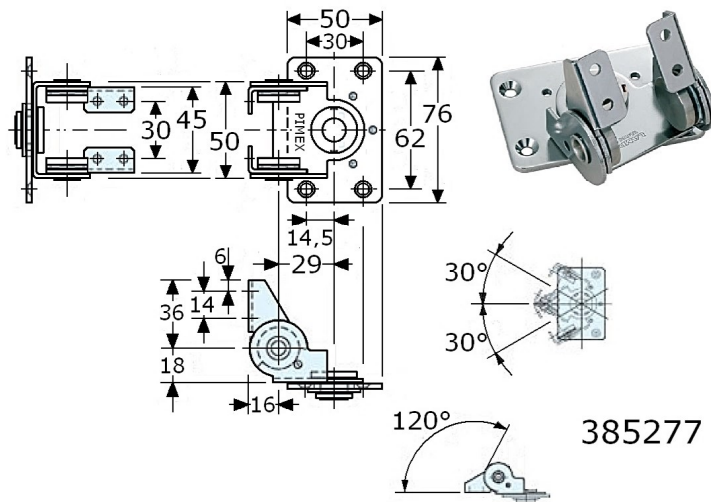
**DETENT HINGES, stainless steel**



**385276**

detent hinges with friction  
 stainless steel 430/1.4016 polished  
 for max. 60° (flat) rotating with torque 15 Kgf/cm  
 for max. 120° angle with torque 30 Kgf/cm  
 with friction, hold door/lid in desired position  
 torque not adjustable (can be opened by hand)  
 with steel & bronze rings, with free stop  
 no left or right  
 for example: for adjustment of a display  
 groundplate 60x30mm with 4 screwholes  $\varnothing 4,3$ mm  
 (delivery on request)

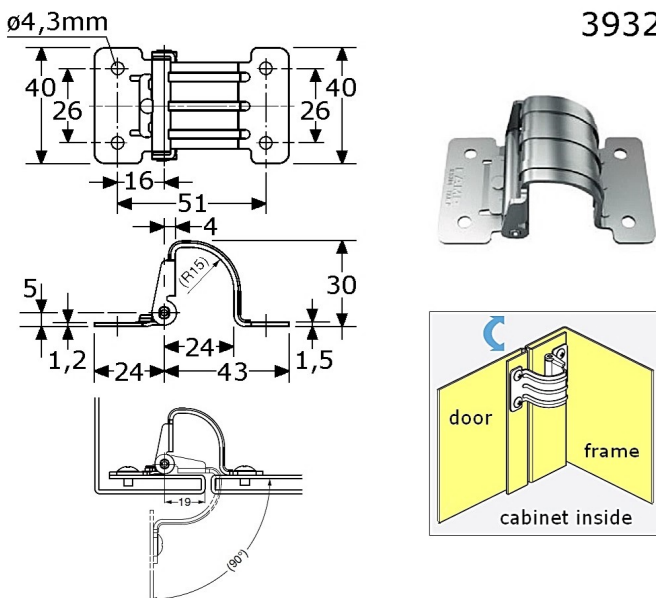
h	x	w	x	thickness	box
60	x	30	x	2 mm	12 Pcs.



**385277**

detent hinges with friction  
 stainless steel 430/1.4016 polished  
 for max. 60° (flat) rotating with torque 30 Kgf/cm  
 for max. 120° angle with torque 70 Kgf/cm  
 with friction, hold door/lid in desired position  
 torque not adjustable (can be opened by hand)  
 no left or right  
 for example: for adjustment of a display  
 groundplate 76x50mm with 4 countersunk holes  
 (delivery on request)

h	x	w	x	thickness	box
76	x	50	x	2 mm	2 Pcs.

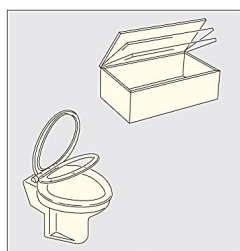
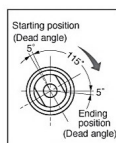
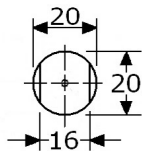
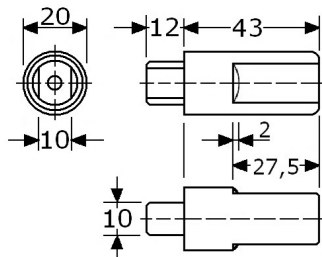


**393217**

detent hinges with friction, highness 40mm  
 stainless steel 304/A2 mirror polished  
 rolled, thickness 1,5mm, small type  
 flat mounting for small metal door/lid  
 with fixed stainless steel pin, with free stop  
 with friction, hold door/lid in desired position  
 torque 7,1 Kgf/cm (can be opened by hand)  
 not suitable for high frequency use  
 no left or right, maximum opening 90°  
 ### if the door closed, the hinge is unvisable ###  
 with 2x2 round holes  $\varnothing 4,3$ mm  
 packed in boxes of 20 Pcs.



**PIMEX B.V.**  
 Coenecoop 131  
 2741 PJ WADDINXVEEN (NL)  
 Tel. (31) 182 - 61 11 66  
 Email: info@pimex.nl



application

**460205**



hinges  $\varnothing 20\text{mm}$  with soft-closing dampening stainless steel 304/A2 (marked with blue point) with white plastic shaft (UDH-AMS) dampening direction: counter clockwise with torque 15-25 Kg/cm (friction not adjustable) the hinge can be used for  $0^{\circ}\text{C. till } +40^{\circ}\text{C.}$  total length 55mm, to build in, maximum hook  $115^{\circ}$  from  $115^{\circ}$ - $80^{\circ}$  only working with enough gravity in boxes of 20 Pcs.

**460206**



hinges  $\varnothing 20\text{mm}$  with soft-closing dampening stainless steel 304/A2 (marked with blue point) with grey plastic shaft (UDH-BMS) dampening direction: clockwise with torque 15-25 Kg/cm (friction not adjustable) the hinge can be used for  $0^{\circ}\text{C. till } +40^{\circ}\text{C.}$  total length 55mm, to build in, maximum hook  $115^{\circ}$  from  $115^{\circ}$ - $80^{\circ}$  only working with enough gravity in boxes of 20 Pcs.

**460207**

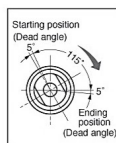


hinges  $\varnothing 20\text{mm}$  with soft-closing dampening stainless steel 304/A2 (marked with red point) with white plastic shaft (UDH-AHS) dampening direction: counter clockwise with torque 25-35 Kg/cm (friction not adjustable) the hinge can be used for  $0^{\circ}\text{C. till } +40^{\circ}\text{C.}$  total length 55mm, to build in, maximum hook  $115^{\circ}$  from  $115^{\circ}$ - $80^{\circ}$  only working with enough gravity in boxes of 20 Pcs.

**460208**



hinges  $\varnothing 20\text{mm}$  with soft-closing dampening stainless steel 304/A2 (marked with red point) with grey plastic shaft (UDH-BHS) dampening direction: clockwise with torque 25-35 Kg/cm (friction not adjustable) the hinge can be used for  $0^{\circ}\text{C. till } +40^{\circ}\text{C.}$  total length 55mm, to build in, maximum hook  $115^{\circ}$  from  $115^{\circ}$ - $80^{\circ}$  only working with enough gravity in boxes of 20 Pcs.



**460247**

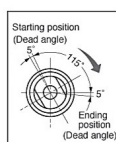


hinges  $\varnothing 14\text{mm}$  with soft-closing dampening stainless steel 304/A2 (marked with red point) with white plastic shaft (UDH-14-AHS) dampening direction: counter clockwise with torque 15-25 Kg/cm (friction not adjustable) the hinge can be used for  $0^{\circ}\text{C. till } +40^{\circ}\text{C.}$  total length 37mm, to build in, maximum hook  $115^{\circ}$  from  $115^{\circ}$ - $80^{\circ}$  only working with enough gravity in boxes of 20 Pcs.

**460248**



hinges  $\varnothing 14\text{mm}$  with soft-closing dampening stainless steel 304/A2 (marked with red point) with grey plastic shaft (UDH-14-BHS) dampening direction: clockwise with torque 25-35 Kg/cm (friction not adjustable) the hinge can be used for  $0^{\circ}\text{C. till } +40^{\circ}\text{C.}$  total length 37mm, to build in, maximum hook  $115^{\circ}$  from  $115^{\circ}$ - $80^{\circ}$  only working with enough gravity in boxes of 20 Pcs.

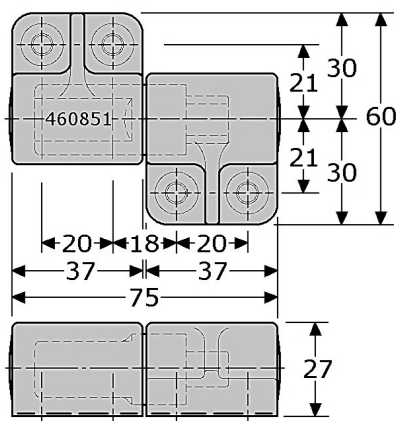
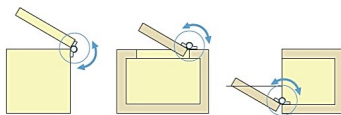
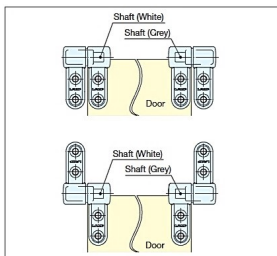
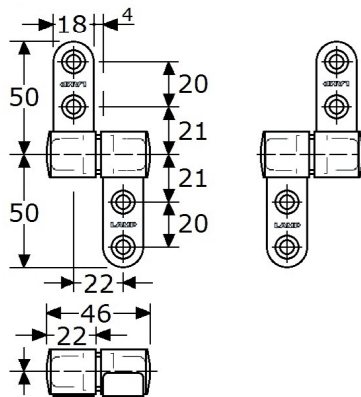
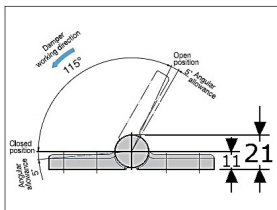


**PIMEX B.V.**  
Coenecoop 131  
2741 PJ WADDINXVEEN (NL)  
Tel. (31) 182 - 61 11 66  
Email: info@pimex.nl



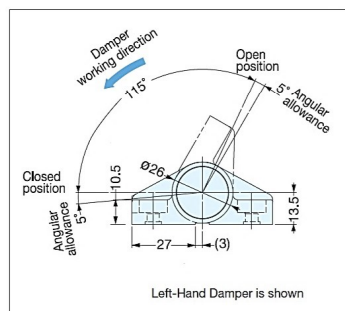
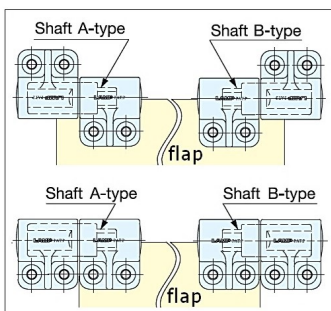
**387251**

hinges 46x100mm with soft-closing  
 stainless steel 304/316 mirror polished  
 hinge-A: with built-in white plastic shaft  
 dampening direction: counter clockwise  
 hinge-B: with built-in grey plastic shaft  
 dampening direction: clockwise  
 with torque 30-51 Kg/cm (friction not adjustable)  
 the hinge can be used for 0°C. till +40°C.  
 surface mounting, maximum hook 115°  
 from 115°-80° only working with enough gravity  
 knuckle  $\varnothing 20\text{mm}$ , total highness 21mm  
 leaves 18x50mm, leaf thickness  $\pm 10\text{mm}$   
 with each 2+2 countersunk screwholes (5mm)  
 sold in pairs



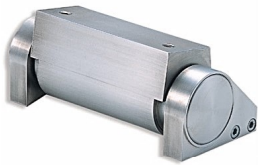
**460851**

hinges 75x60mm with soft-closing  
 black polypropylene with stainless steel damper  
 hinge-A: with built-in white plastic shaft  
 dampening direction: counter clockwise  
 hinge-B: with built-in grey plastic shaft  
 dampening direction: clockwise  
 with torque 30-51 Kg/cm (friction not adjustable)  
 the hinge can be used for 0°C. till +40°C.  
 surface mounting, maximum hook 115°  
 from 115°-80° only working with enough gravity  
 knuckle  $\varnothing 26\text{mm}$ , total highness 27mm  
 leaves 37x30mm, leaf thickness 11mm  
 with each 2+2 lower screwholes  $\varnothing 5,4\text{mm}$   
 sold in pairs



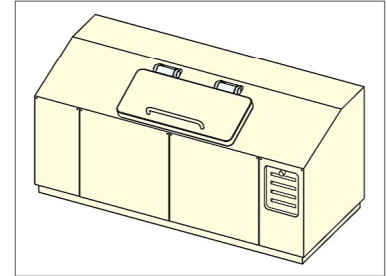
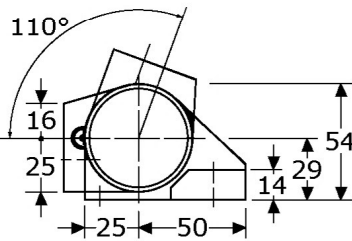
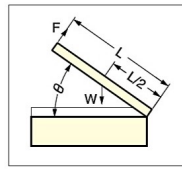
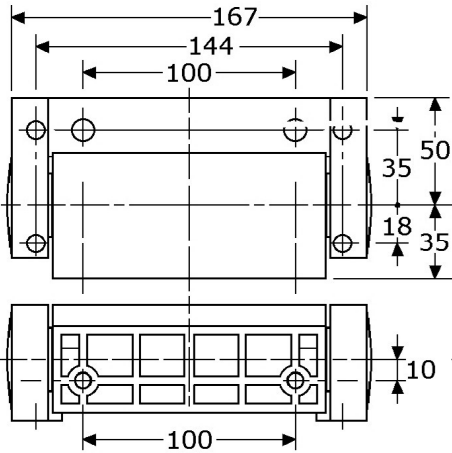
**PIMEX B.V.**  
 Coenecoop 131  
 2741 PJ WADDINXVEEN (NL)  
 Tel. (31) 182 - 61 11 66  
 Email: info@pimex.nl





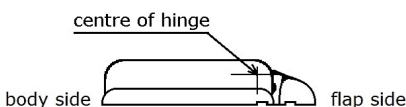
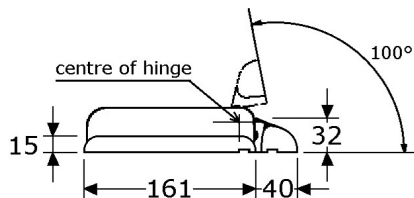
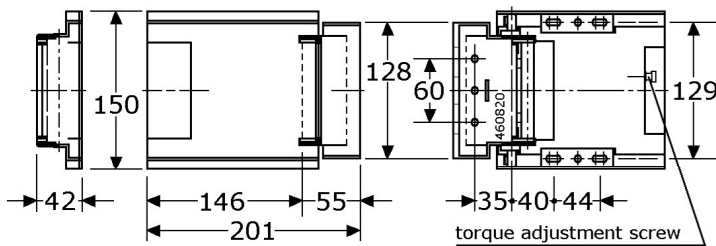
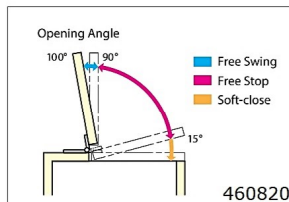
385290

hinge 167x85mm  
 stainless steel 304/A2 mirror polished  
 top opening, surface mounting, highness 54mm  
 with torque 210 Kgf/cm (friction not adjustable)  
 (heavy duty; can not be opened unmounted by hand)  
 the hinge can be used for 0°C. till 40°C.  
 opening from 0° to 110° lift assist  
 (spring loaded for extra light opening)  
 (torque hold flap at any point)  
 from ± 60° to 0° with EasyClose softclosing  
 (smooth and soft downward movement)  
 with holes & tapped holes (8mm/M8)  
 in boxes of 1 Pcs. (delivery on request)

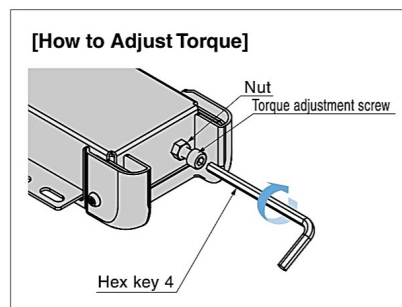


460820

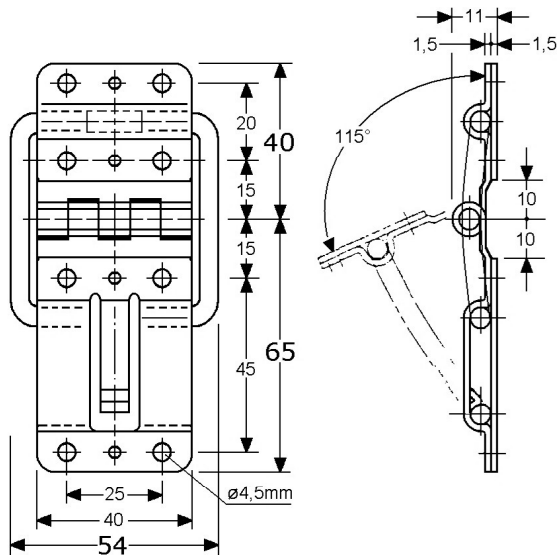
hinge 150x201mm  
 body stainless steel 430  
 with big light-grey plastic covers  
 top opening, surface mounting, highness 42mm  
 with torque 145-161 Kgf/cm (friction adjustable)  
 the hinge can be used for 0°C. till 40°C.  
 opening from 0° to 90° lift assist  
 (spring loaded for extra light opening)  
 from 90° to 100°: free zone, no damping  
 from 90° to 20° free stop  
 (torque hold flap at any point)  
 from 20° to 0° with EasyClose softclosing  
 (smooth and soft downward movement)  
 all screwholes behind the covers  
 in boxes of 1 Pcs. (delivery on request)



also stronger possible:  
 - with torque 194-214 Kgf/cm (460821)  
 - with torque 245-265 Kgf/cm (460822)



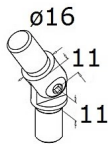
PIMEX B.V.  
 Coenecoop 131  
 2741 PJ WADDINXVEEN (NL)  
 Tel. (31) 182 - 61 11 66  
 Email: info@pimex.nl



detent hinges without friction  
 stainless steel 304/A2 electro polished  
 flat mounting, plate 40x1,5mm double folded  
 total length 105mm (65+40mm)  
 with fixed pin stainless steel 304/A2 ø5mm  
 with stop pin stainless steel 304/A2 ø5mm  
 maximum widthness stop pin 54mm  
 with stop/blocking on 95°  
 automatical snapping on 115°  
 no left or right, maximum opening 115°  
 with 8 screwholes ø4,5mm

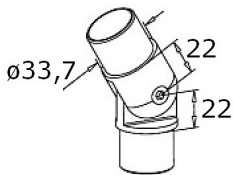
396214

L	x	w	x	h	pin	box
105	x	40	x	1,5mm	5mm	10 Pcs.



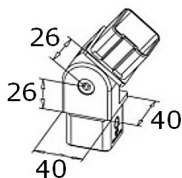
389209

flush angle hinge for ø16x1,0mm  
 stainless steel 304/A2 satin polished  
 working length 11+11=22mm  
 free turning from 90° (via straight 180°) till 270°  
 no left or right  
 in boxes of 10 Pcs. (delivery on request)



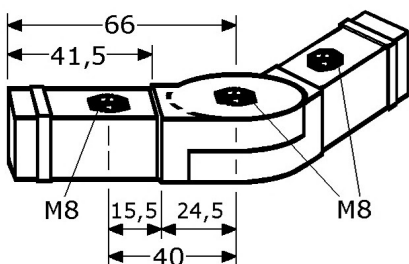
389217

flush angle hinge for ø33,7x2mm  
 stainless steel 304/A2 satin polished  
 working length 22+22=44mm  
 free turning from 90° (via straight 180°) till 270°  
 no left or right  
 in boxes of 10 Pcs. (delivery on request)



389244

flush angle hinge for #40x40x2mm  
 stainless steel 304/A2 satin polished  
 working length 26+26=52mm  
 total length 56+56=112mm  
 free turning from 90° (via straight 180°) till 270°  
 no left or right, bolt SS M8  
 in boxes of 10 Pcs.



478830

flush angle hinge for #30x30mm  
 black polyamid (PA)  
 working length 24,5+24,5=49mm  
 total length 66+66=132mm  
 free turning from 45° (via straight 180°) till 200°  
 with hexagon holes for fixing with bolt/nut M8  
 no left or right, with bolt steel M8  
 (on request with bolt out of stainless steel)  
 in boxes of 10 Pcs.

for angle joints  
 out of stainless steel,  
 see page GY-163 (group 01)



**PIMEX B.V.**  
 Coenecoop 131  
 2741 PJ WADDINXVEEN (NL)  
 Tel. (31) 182 - 61 11 66  
 Email: info@pimex.nl