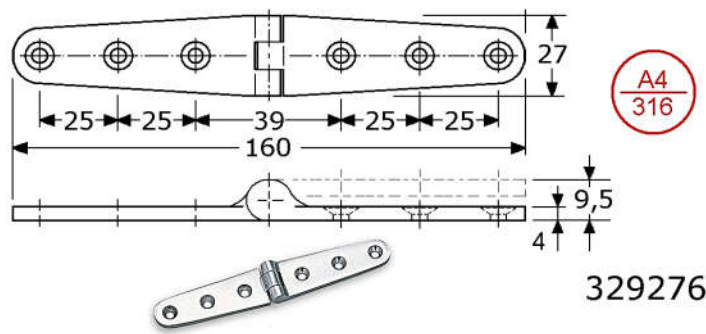


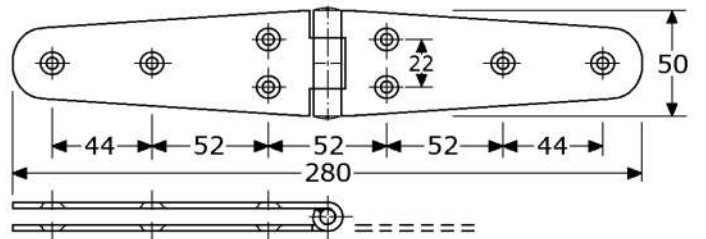
**HINGES, stainless steel**



strap hinges with fixed stainless steel pin  
 stainless steel 316/A4/1.4401 mirror polished  
 flat surface mounting, 3-knuckles  $\varnothing 9,5$ mm  
 solid casting, no bearing, tapped rounded leaves  
 widthness 160mm (80+80mm)  
 with 6 countersunk screwholes (5mm/M5)

h x w x t	knuckle $\varnothing$	boxes
27 x 160 x 4 mm	9,5 mm	20 Pcs

329276



strap hinges with fixed stainless steel pin  
 stainless steel 316/A4/1.4401  
 flat surface mounting, rolled, tapped rounded leaves  
 with fixed riveted stainless steel pin, no bearing  
 widthness 280mm (140+140mm), 3-knuckles  
 with 8 countersunk screwholes (6mm/M6)

h x w x t	pin	knuckle $\varnothing$	boxes
50 x 280 x 3 mm	6mm	12mm	10 Pcs

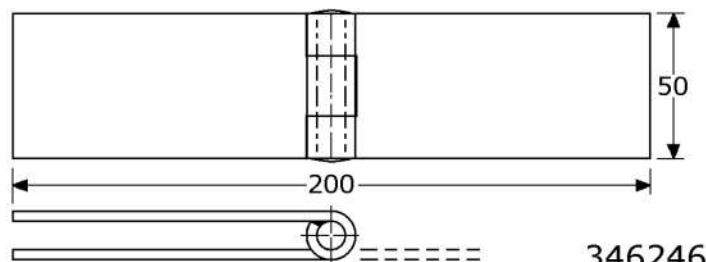
364208

364209

346260

like 364208 (flat), but mirror polished

like 364208 (flat), but without holes (see GY-341a)



strap hinges with fixed stainless steel pin  
 stainless steel 304/A2/1.4301 or 316/1.4401/A4  
 flat surface mounting, 3-knuckles rolled  
 with fixed riveted stainless steel pin, without holes  
 (see also page GY-341a and GY-341b)

h x w x t	pin	knuckle $\varnothing$	boxes
30 x 200 x 3 mm	6mm	12mm	10 Pcs

346246

346257

346265

346268

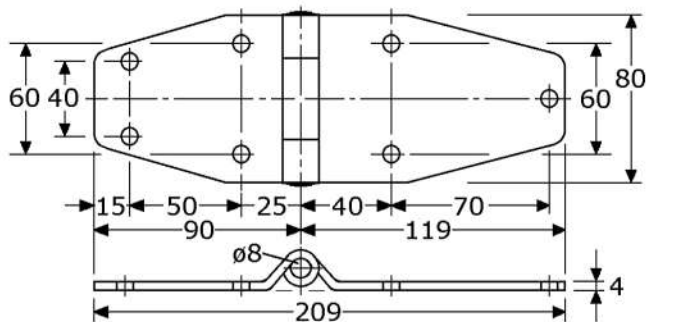
346290

40 x 300 x 3 mm 6mm 12mm 10 Pcs

50 x 200 x 5 mm 10mm 21mm 10 Pcs

80 x 200 x 5 mm 10mm 21mm 10 Pcs

150x180x3 mm 10mm 16mm 10 Pcs



strap hinges with fixed stainless steel pin  
 stainless steel 304/A2/1.4301  
 flat surface mounting, rolled, tapped rounded leaves  
 with fixed riveted stainless steel pin, no bearing  
 widthness 209mm (90+119mm), 3-knuckles  
 with 7 round holes  $\varnothing 7$ mm  
 (delivery on request)

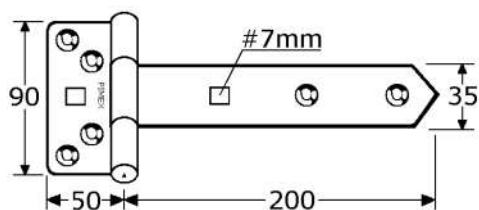
h x w x t	pin	knuckle $\varnothing$	boxes
80 x 209 x 4 mm	8mm	17mm	10 Pcs

368380



**PIMEX B.V.**  
 Coenecoop 131  
 2741 PJ WADDINXVEEN (NL)  
 Tel. (31) 182 - 61 11 66  
 Email: info@pimex.nl

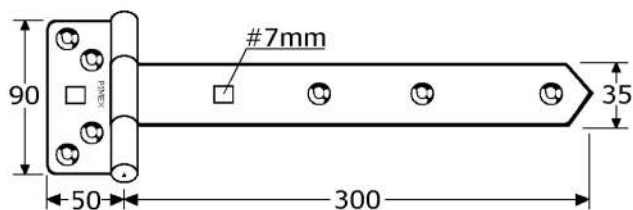
**SHUTTER HINGES, stainless steel**



365222

shutter hinges with T-leaf 90x50x2,5mm stainless steel 304/A2/1.4301 unpolished flat surface mounting, 3-knuckles rolled with fixed pin ø6mm, widthness 50+200=250mm with each 2 square holes #7mm (against vandalism) (for mushroom head square neck bolt M6) and 4+2 countersunk holes (5mm/M5)

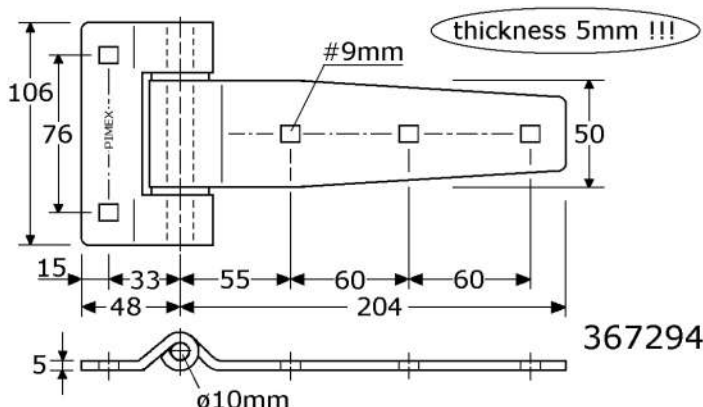
h x w x t	pin	knuckle ø	boxes
35 x 200 x 2,5mm	6mm	11mm	10 Pcs



365224

shutter hinges with T-leaf 90x50x2,5mm stainless steel 304/A2/1.4301 unpolished flat surface mounting, 3-knuckles rolled with fixed pin ø6mm, widthness 50+300=350mm with each 2 square holes #7mm (against vandalism) (for mushroom head square neck bolt M6) and 4+3 countersunk holes (5mm/M5)

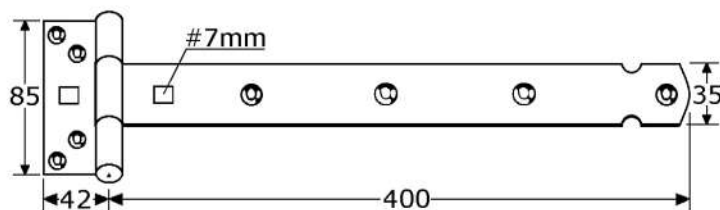
h x w x t	pin	knuckle ø	boxes
35 x 300 x 2,5mm	6mm	11mm	10 Pcs



367294

T-strap hinges with T-leaf 106x48x5mm stainless steel 304/A2/1.4301 mirror polished flat surface mounting, 3-knuckles rolled with fixed stainless steel pin ø10mm with each 2 stainless steel washers widthness 48+204=252mm, maximum opening 300° with 2+3 holes #9mm (against vandalism) (for mushroom head square neck bolt M8)

h x w x t	pin	knuckle ø	boxes
50 x 204 x 5mm	10mm	20mm	10 Pcs



365218

shutter hinges with T-leaf 85x42x2mm stainless steel 304/A2/1.4301 unpolished flat surface mounting, 3-knuckles rolled with fixed pin ø6mm, widthness 42+400=442mm with each 2 square holes #7mm (against vandalism) (for mushroom head square neck bolt M6) and 4+4 countersunk holes (4/4,5mm/M5)

h x w x t	pin	knuckle ø	boxes
35 x 400 x 2mm	6mm	10mm	10 Pcs

for ring handle gate latches in stainless steel 316/A4, see page GY-547b (group 05)



546218



546224

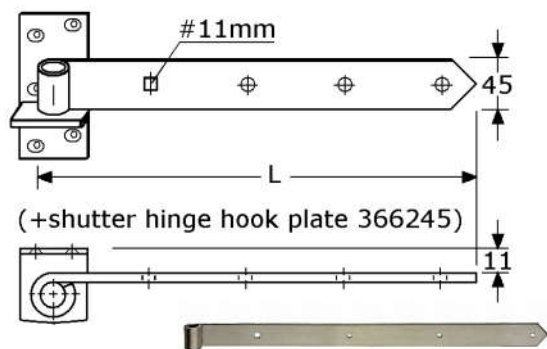
for tail pin bolts 500mm or 750mm in stainless steel 316/A4, see page GY-514 (group 05)



515205



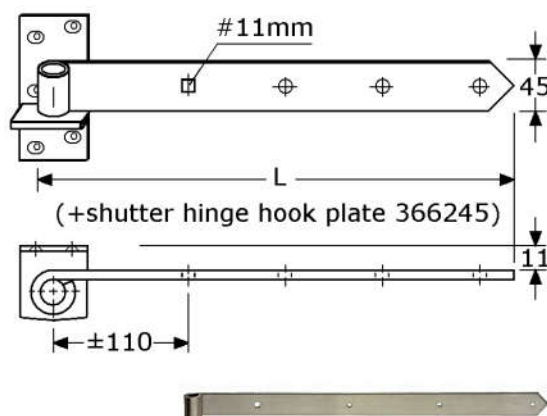
**PIMEX B.V.**  
Coenecoop 131  
2741 PJ WADDINXVEEN (NL)  
Tel. (31) 182 - 61 11 66  
Email: info@pimex.nl



366234  
366236

shutter hinges for pin  $\varnothing 16\text{mm}$ , lift-off  
stainless steel 304/A2  
flat rolled (with triangular end)  
for pin  $\varnothing 16\text{mm}$ , inside  $\varnothing 17\text{mm}$ , outside  $\varnothing 27\text{mm}$   
hole #11mm (for mushroom head square neck bolt)  
and with 2 or 3 round holes (G)  $\varnothing 9\text{mm}$  (for M8)  
(for shutter hinge hook plate 366245, see GY-362b)

h	x	L	x	t	for $\varnothing$	holes	boxes
45	x	400	x	5mm	16mm	#+2G	10 Pcs
45	x	600	x	5mm	16mm	#+3G	10 Pcs

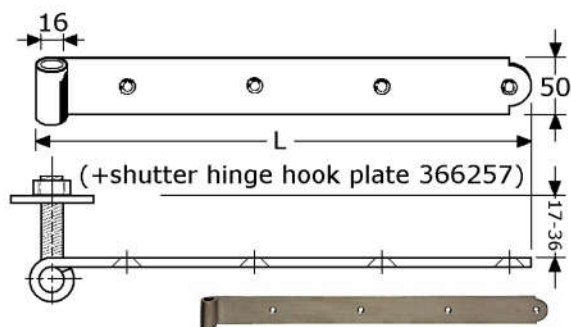


366235  
366237  
366239  
366241

A4  
316

shutter hinges for pin  $\varnothing 16\text{mm}$ , lift-off  
stainless steel 316/A4 satin polished  
flat rolled (with triangular end)  
for pin  $\varnothing 16\text{mm}$ , inside  $\varnothing 17\text{mm}$ , outside  $\varnothing 27\text{mm}$   
hole #11mm (for mushroom head square neck bolt)  
(1th hole on  $\pm 110\text{mm}$  till centre pin)  
and with 4 round holes (G)  $\varnothing 9\text{mm}$  (for M8)  
(for shutter hinge hook plate 366245, see GY-362b)

h	x	L	x	t	for $\varnothing$	holes	boxes
45	x	400	x	5mm	16mm	#+2G	10 Pcs
45	x	600	x	5mm	16mm	#+3G	10 Pcs
45	x	800	x	5mm	16mm	#+4G	10 Pcs
45	x	1000	x	5mm	16mm	#+5G	10 Pcs

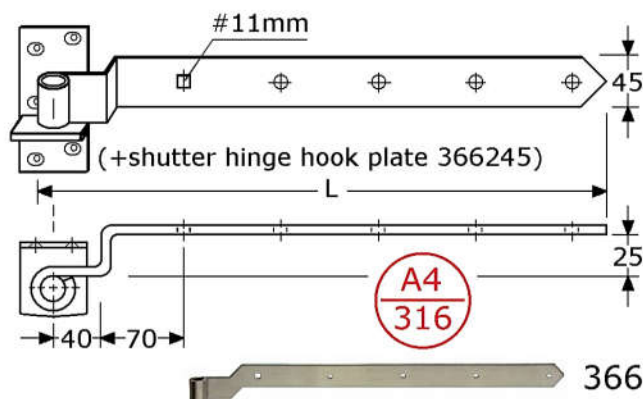


366251  
366253

A4  
316

shutter hinges for pin  $\varnothing 16\text{mm}$ , lift-off  
stainless steel 316/A4  
flat rolled (with rounded end)  
for pin  $\varnothing 16\text{mm}$ , inside  $\varnothing 17\text{mm}$ , outside  $\varnothing 27\text{mm}$   
with 4 or 5 countersunk holes (G) (6mm/M6)  
(for hook plate 366254&366257, see GY-362b)

h	x	L	x	t	for $\varnothing$	holes	boxes
50	x	600	x	5mm	16mm	4G	10 Pcs
50	x	1000	x	5mm	16mm	5G	4 Pcs



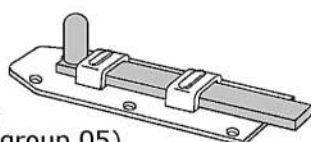
366348

A4  
316

shutter hinges for pin  $\varnothing 16\text{mm}$ , lift-off  
stainless steel 316/A4 satin polished  
with "Z", cranked 25mm (in stock !!!)  
place of the "Z" on 40mm till centre pin  
tolerance 3mm (with triangular end)  
for pin  $\varnothing 16\text{mm}$ , inside  $\varnothing 17\text{mm}$ , outside  $\varnothing 27\text{mm}$   
hole #11mm (for mushroom head square neck bolt)  
and with 4 round holes (G)  $\varnothing 9\text{mm}$  (for M8)  
(for shutter hinge hook plate 366245, see GY-362b)

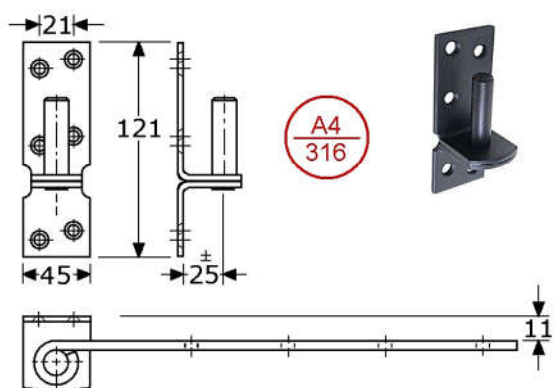
h	x	L	x	t	for $\varnothing$	holes	boxes
45	x	800	x	5mm	16mm	#+4G	10 Pcs

for sliding door bolts  
out of stainless steel 316/A4,  
see page GY-502 & GY-503 (group 05)



PIMEX B.V.  
Coenecoop 131  
2741 PJ WADDINXVEEN (NL)  
Tel. (31) 182 - 61 11 66  
Email: info@pimex.nl

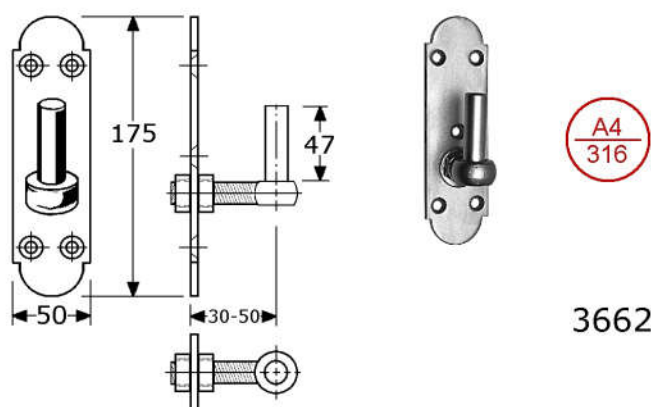
# SHUTTER HINGE HOOK PLATES, stainless steel



366245

shutter hinge hook plate for 366235/37/39/41  
stainless steel 316/A4/1.4401 satin polished  
lift-off, distance plate to centre pin = ±25mm  
if full surface mounting: highness 11mm  
with 6 countersunk screwholes (5mm/M5/M6)  
(for shutter hinges, see page GY-362a)

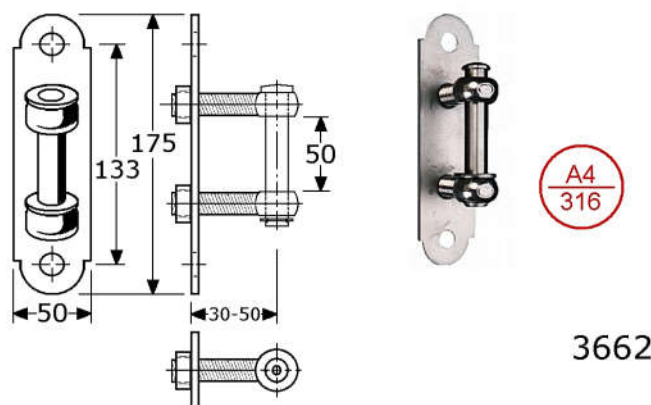
h	x	w	x	t	pin	boxes
121	x	45	x	4mm	16mm	10 Pcs



366257

shutter hinge hook plate for 366251/366253  
stainless steel 316/A4/1.4401  
with single eye bolt M16 with pin ø16mm  
lift-off, distance plate to centre pin = 30-50mm  
if full surface mounting: highness 17-36mm  
with 5 countersunk screwholes (6mm/M6)  
(for shutter hinges, see page GY-362a)

h	x	w	x	t	pin	boxes
175	x	50	x	5mm	16mm	10 Pcs



366254

shutter hinge hook plate for 366251/366253  
stainless steel 316/A4/1.4401  
with double eye bolt M16 with removable pin ø16mm  
removable pin SS-316 with groove & retaining ring  
distance plate to centre pin adjustable 30-50mm  
if full surface mounting: highness 17-36mm  
with 2 round holes ø12,5mm  
(for shutter hinges, see page GY-362a)

h	x	w	x	t	pin	boxes
175	x	50	x	5mm	16mm	4 Pcs

for shutter hinge hook plates  
to brick in stone or to screw through  
in stainless steel, see page GY-363a

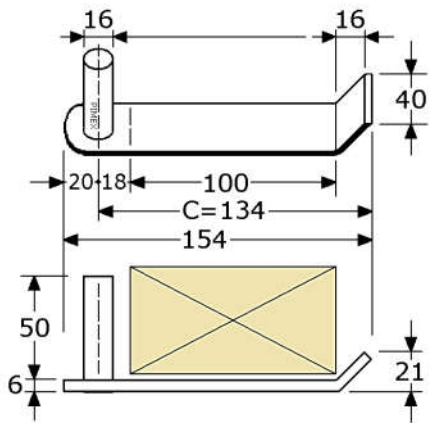


for adjustable shutter hinges  
with bolt M16x20  
in stainless steel, see page GY-363b



**PIMEX B.V.**  
Coenecoop 131  
2741 PJ WADDINXVEEN (NL)  
Tel. (31) 182 - 61 11 66  
Email: info@pimex.nl

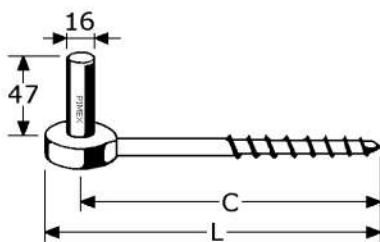
**SHUTTER HINGE HOOK, stainless steel**



shutter hinge hook to brick in 1/2-stone (=100mm)  
 stainless steel 316L/A4/1.4404  
 with pin  $\varnothing$ 16mm, pin highness 50mm, lift-off  
 total (L) 154mm, length to centre pin (C) 134mm  
 adjustable offset, strong quality  
 thickness 6mm, at the end cranked 45°  
 for all shutter hinges with pin  $\varnothing$ 16mm  
 new fine design, delivery directly out of our stock  
 (for shutter hinges, see page GY-362a)

366266

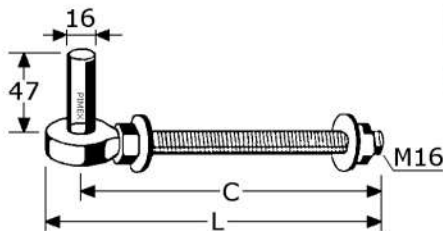
h	x	w	x	t	pin	C	boxes
154	x	40	x	6mm	16mm	134mm	10 Pcs



shutter hinge hook to screw in wood (thread 60mm)  
 stainless steel 304/A2/1.4301  
 with pin  $\varnothing$ 16mm, pin highness 47mm, lift-off  
 total (L) 154mm, length to centre pin (C) 142mm  
 thickness (A)  $\varnothing$ 12mm  
 for all shutter hinges with pin  $\varnothing$ 16mm  
 (for shutter hinges, see page GY-362a)

366262

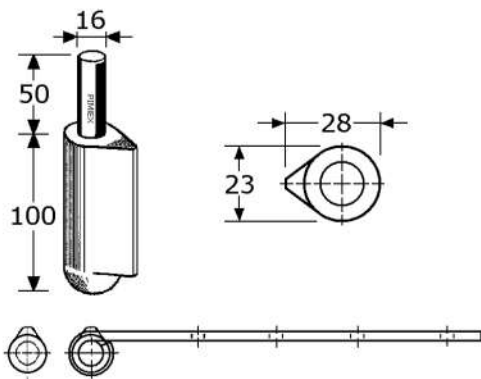
A	x	L	pin	C	boxes
12	x	154mm	16mm	142mm	10 Pcs



shutter hinge hook to screw through, with M16x80  
 stainless steel 304/A2/1.4301  
 with pin  $\varnothing$ 16mm, pin highness 47mm, lift-off  
 total (L) 116mm, length to centre pin (C) 100mm  
 with each 2 SS-304 nuts M16 and 2 SS-304 rings  
 for all shutter hinges with pin  $\varnothing$ 16mm  
 (for shutter hinges, see page GY-362a)

366269

A	x	L	pin	C	boxes
M16	x	116mm	16mm	100mm	10 Pcs



weld-on hinges (under part)  
 stainless steel 304/A2/1.4301  
 profile with welding point, without washer  
 with fixed pin stainless steel 303/1.4305  
 pin highness 50mm, lift-off  
 for all shutter hinges with pin  $\varnothing$ 16mm  
 (for shutter hinges, see page GY-362a)

348239

high	profile	pin	G	boxes
200mm	28x23mm	16mm	100mm	10 Pcs

307295

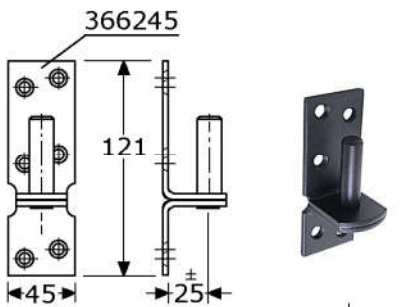


ball bearing for  $\varnothing$ 16mm (outside  $\varnothing$ 27mm)  
 stainless steel 304/A2/1.4301  
 (outside & inside SS-304/A2, balls SS-420 hardened)

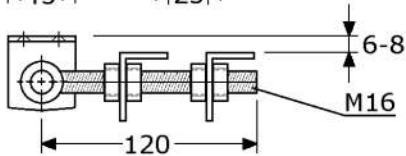
for door bolts  
 out of stainless steel (316),  
 see page GY-503 (group 03)



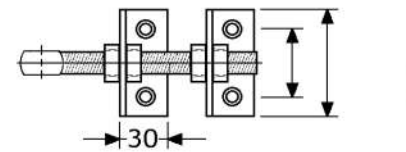
**PIMEX B.V.**  
 Coenecoop 131  
 2741 PJ WADDINXVEEN (NL)  
 Tel. (31) 182 - 61 11 66  
 Email: info@pimex.nl



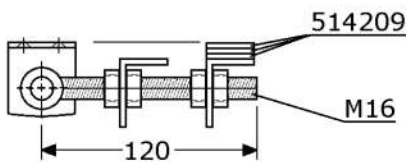
A4  
316



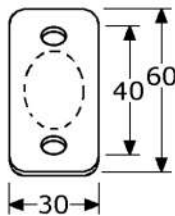
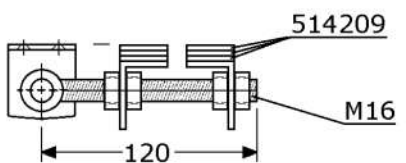
366380



A4  
316



514209



adjustable shutter hinge for pin  $\varnothing$ 16mm  
 stainless steel 316/A4  
 with eye bolt stainless steel 316/A4 M16x120  
 with each 4x nuts stainless steel 316/A4 M16  
 with each 2x angular mounting plate 60x28mm  
 with 2+2 countersunk screwholes (5mm/M5/M6)  
 highness 17-19mm till centre of eye bolt  
 adjustable in length 13mm, adjustable in depth 2mm  
 (with 366243 the highness will be 7-9mm)  
 (with 366245 the highness will be 6-8mm)  
 (with 366254 the highness will be 11-33mm)  
 (shutter hinge hook plates to be ordered separately)  
 (distance plates 514209 to be ordered separately)

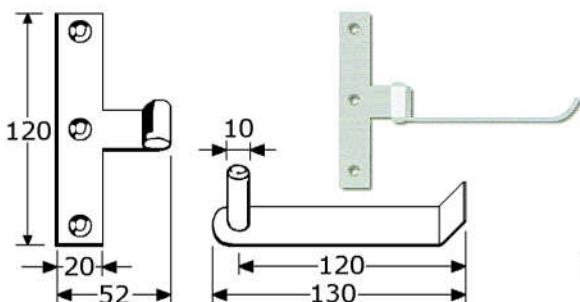
h	x	L	x	t	for $\varnothing$	boxes
60	x	120	x	3mm	16mm	10 Pcs

distance plate 60x30x2mm, flat  
 stainless steel 316/A4  
 for mounting under adjustable shutter hinge 366380  
 with 2 round holes  $\varnothing$ 6mm c.t.c 40mm  
 if you use shutter hinge hook plate 366245:  
 - with 1+1 Pcs of 514209: highness will be 4-6mm  
 - with 2+2 Pcs of 514209: highness will be 2-4mm  
 - with 3+3 Pcs of 514209: highness will be 0mm/flat

A4  
316



366380 with 366245



366160

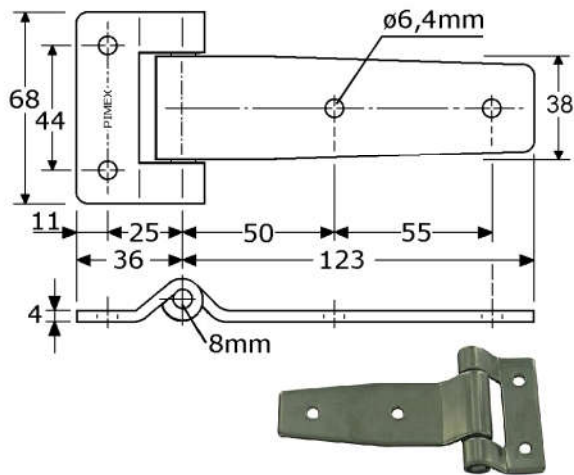
shutter hinge hook to brick in  $\frac{1}{2}$ -stone (=100mm)  
 stainless steel 1.4301/A2/304 polished  
 with stainless steel pin  $\varnothing$ 10mm, lift-off  
 total (L) 130mm, length to centre pin (C) 120mm  
 complete with middle hinge 120x20x3mm  
 with 3 countersunk screwholes (5mm/M5)

h	x	w	x	t	pin	knuckle $\varnothing$	boxes
120	x	20	x	3mm	10mm	17mm	10 Pcs



PIMEX B.V.  
 Coenecoop 131  
 2741 PJ WADDINXVEEN (NL)  
 Tel. (31) 182 - 61 11 66  
 Email: info@pimex.nl

# T-STRAP HINGES WITH RIVETED PIN, stainless steel

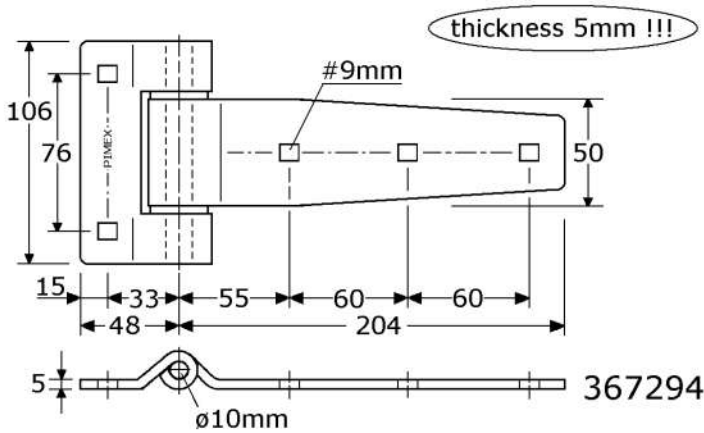


367273  
346273

T-strap hinges with fixed stainless steel pin  $\varnothing 8\text{mm}$   
stainless steel 304/A2/1.4301 mirror polished  
flat surface mounting, rolled, 3-knuckles  $\varnothing 16\text{mm}$   
with each 2 small nylon washers  
maximum opening  $300^\circ$   
with T-leaf (h $\times$ w $\times$ t) 68 $\times$ 36 $\times$ 4mm  
widthness 159mm (36+123mm)  
with 2+2 round screwholes  $\varnothing 6,4\text{mm}$

h x w x t	fixed pin	boxes
38 x 123 x 4mm	8mm	12 Pcs

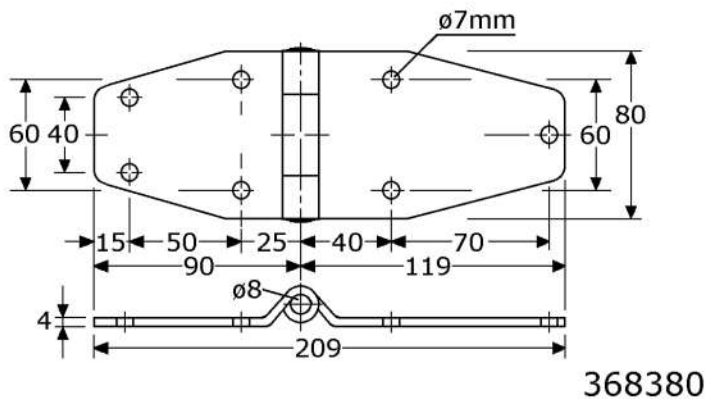
like 367273, but without holes  
(see also page GY-342a)



367294

T-strap hinges with fixed stainless steel pin  $\varnothing 10\text{mm}$   
stainless steel 304/A2/1.4301 mirror polished  
flat surface mounting, rolled, 3-knuckles  $\varnothing 21\text{mm}$   
with each 2 stainless steel washers  
maximum opening  $300^\circ$   
with T-leaf (h $\times$ w $\times$ t) 106 $\times$ 48 $\times$ 5mm  
widthness 252mm (48+204mm)  
with 2+3 holes #9mm (against vandalism)  
(for mushroom head square neck bolt M8)

h x w x t	fixed pin	boxes
50 x 204 x 5mm	10mm	10 Pcs



368380

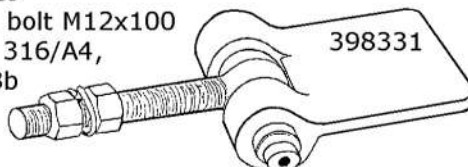
strap hinges with fixed stainless steel pin  
stainless steel 304/A2/1.4301  
flat surface mounting, rolled, 3-knuckles  $\varnothing 17\text{mm}$   
tapped rounded leaves  
with fixed riveted stainless steel pin, no bearing  
widthness 209mm (90+119mm)  
with 7 round holes  $\varnothing 7\text{mm}$   
(delivery on request)

h x w x t	pin	knuckle $\varnothing$	boxes
80 x 209 x 4 mm	8mm	17mm	10 Pcs

for weld-on gate hinges M20  
in stainless steel,  
see page GY-397a



for weld-on hinges  
like 398331 with bolt M12 $\times$ 100  
in stainless steel 316/A4,  
see page GY-398b



**PIMEX B.V.**  
Coenecoop 131  
2741 PJ WADDINXVEEN (NL)  
Tel. (31) 182 - 61 11 66  
Email: info@pimex.nl



A4  
316

T-strap hinges, LEFT  
stainless steel 316/A4 satin/brushed  
solid casting, flat surface mounting (back not flat)  
fixed stainless steel pin  $\varnothing 9\text{mm}$ , 5-knuckles  $\varnothing 22\text{mm}$   
with each 2 small nylon washers  $\varnothing 23,5\text{mm}$   
with T-leaf (h $\times$ w $\times$ t) 108 $\times$ 64 $\times$ 8mm  
widthness 263mm (32+231mm)  
heavy duty, can be used for walk-in refrigeration  
with 5+4 countersunk screwholes for 6mm/M6

367245

h x w x t	knuckle	stand	boxes
67 x 231 x 8mm	22mm	DIN LH	6 Pcs

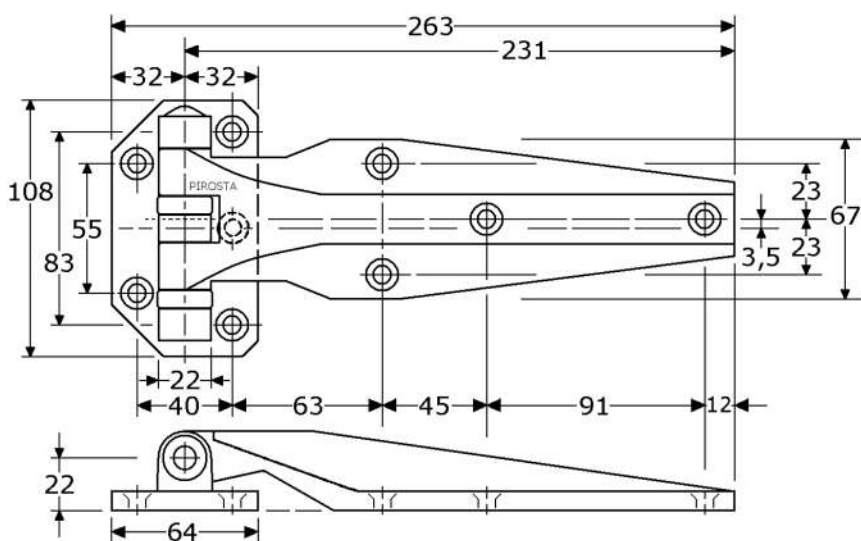


A4  
316

T-strap hinges, RIGHT  
stainless steel 316/A4 satin/brushed  
solid casting, flat surface mounting (back not flat)  
fixed stainless steel pin  $\varnothing 9\text{mm}$ , 5-knuckles  $\varnothing 22\text{mm}$   
with each 2 small nylon washers  $\varnothing 23,5\text{mm}$   
with T-leaf (h $\times$ w $\times$ t) 108 $\times$ 64 $\times$ 8mm  
widthness 263mm (32+231mm)  
heavy duty, can be used for walk-in refrigeration  
with 5+4 countersunk screwholes for 6mm/M6

367246

h x w x t	knuckle	stand	boxes
67 x 231 x 8mm	22mm	DIN RH	6 Pcs



PIMEX has also walk-in door latches  
out of stainless steel 316/A4  
with or without cylinder, see page GY-584

PIMEX has also in stock door toggles  
out of stainless steel 304/A2 polished,  
for single or double use,  
see page GY-580 & GY-581



PIMEX B.V.  
Coenecoop 131  
2741 PJ WADDINXVEEN (NL)  
Tel. (31) 182 - 61 11 66  
Email: info@pimex.nl