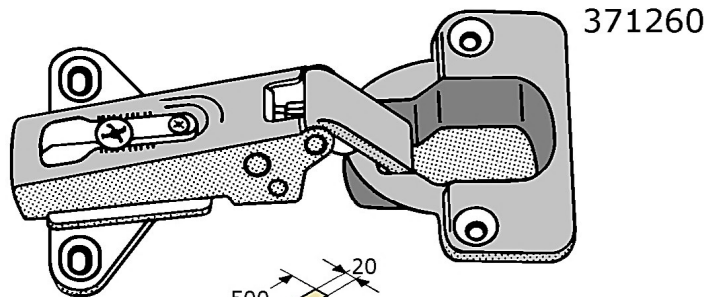
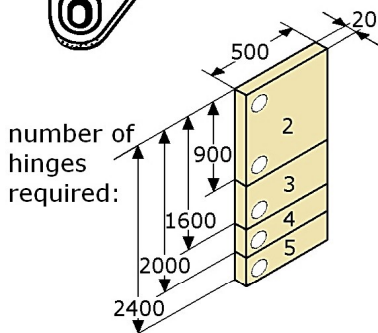


CONCEALED HINGES, stainless steel



371260 concealed hinges with opening 100°, free swinging stainless steel 304/A2 polished for 15-19mm overlay door for door thickness 15mm - 20mm cup diameter \varnothing 35mm, bore depth 11mm ### without spring, so minimum magnetism ### with countersunk screwholes (3,5mm) (mountingplate 371277 to be ordered separately) (distanceplate 371279 to be ordered separately) in boxes of 40 Pcs. (without screws)

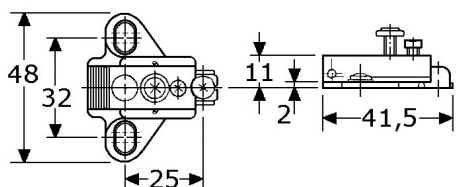


371270

for 15-19mm overlay



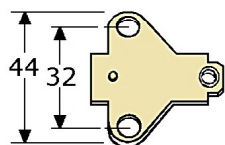
concealed hinges with opening 100° stainless steel 304/A2 polished for 15-19mm overlay door for door thickness 15mm - 20mm cup diameter \varnothing 35mm, bore depth 11mm with stainless steel catch with stainless steel spring with countersunk screwholes (3,5mm) (mountingplate 371277 to be ordered separately) (distanceplate 371279 to be ordered separately) in boxes of 40 Pcs. (without screws)



371277



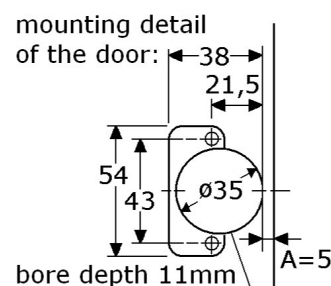
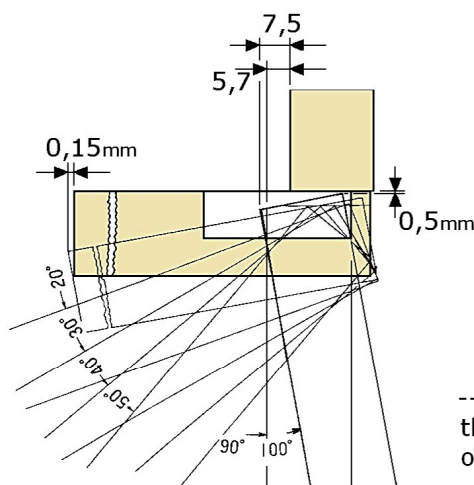
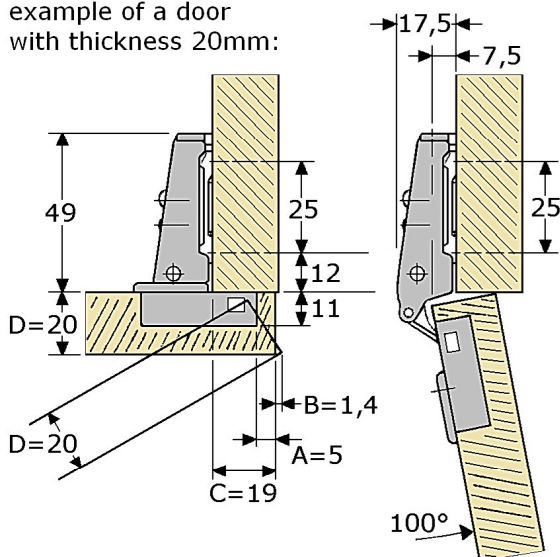
mountingplate 48mm, 3-dimensional adjustable stainless steel 304/A2 polished with 3 screwholes for screws 3,5/4mm in boxes of 40 Pcs. (without screws)



371279

distance plate 44mm, thickness 2mm polyamide ivory, can be stacked for mounting under mountingplate in boxes of 40 Pcs.

example of a door with thickness 20mm:



overlay distance in mm (C)	dooredge to bore distance (A)		
	3mm	4mm	5mm
19mm	-	-	V
18mm	-	V	V
17mm	V	V	W
16mm	V	W	W
15mm	W	W	W

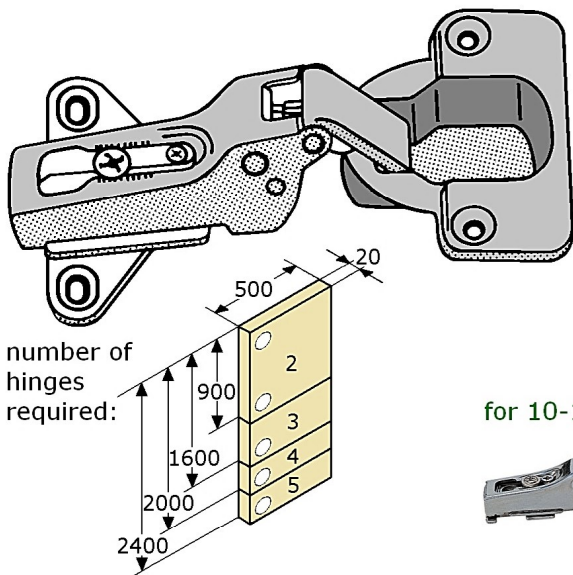
thickness (D) of the door	opening clearance (B)
15mm	0,5mm
16mm	0,7mm
17mm	0,8mm
18mm	1,0mm
19mm	1,2mm
20mm	1,4mm

V = hinge with mountingplate 371277
W = hinge with mountingplate 371277 and distance plate 371279



PIMEX B.V.
Coenecoop 131
2741 PJ WADDINXVEEN (NL)
Tel. (31) 182 - 61 11 66
Email: info@pimex.nl

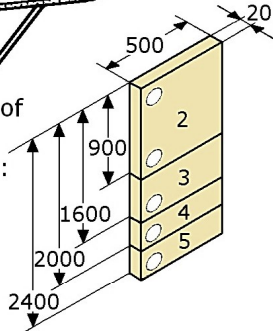
CONCEALED HINGES, stainless steel



371262

concealed hinges with opening 100°, free swinging stainless steel 304/A2 polished for 10-14mm overlay door for door thickness 15mm - 20mm cup diameter ø35mm, bore depth 11mm
 ### without spring, so minimum magnetism ###
 (mountingplate 371277 to be ordered separately)
 (distanceplate 371279 to be ordered separately)
 in boxes of 40 Pcs. (without screws)

number of hinges required:

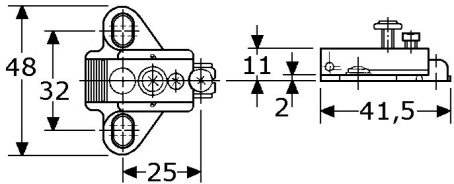


371272

for 10-14 overlay



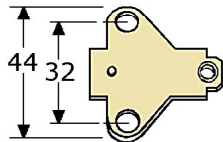
concealed hinges with opening 100° stainless steel 304/A2 polished for 10-14mm overlay door for door thickness 15mm - 20mm cup diameter ø35mm, bore depth 11mm with stainless steel catch with stainless steel spring with countersunk screwholes (3,5mm)
 (mountingplate 371277 to be ordered separately)
 (distanceplate 371279 to be ordered separately)
 in boxes of 40 Pcs. (without screws)



371277



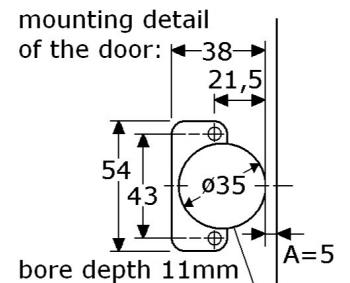
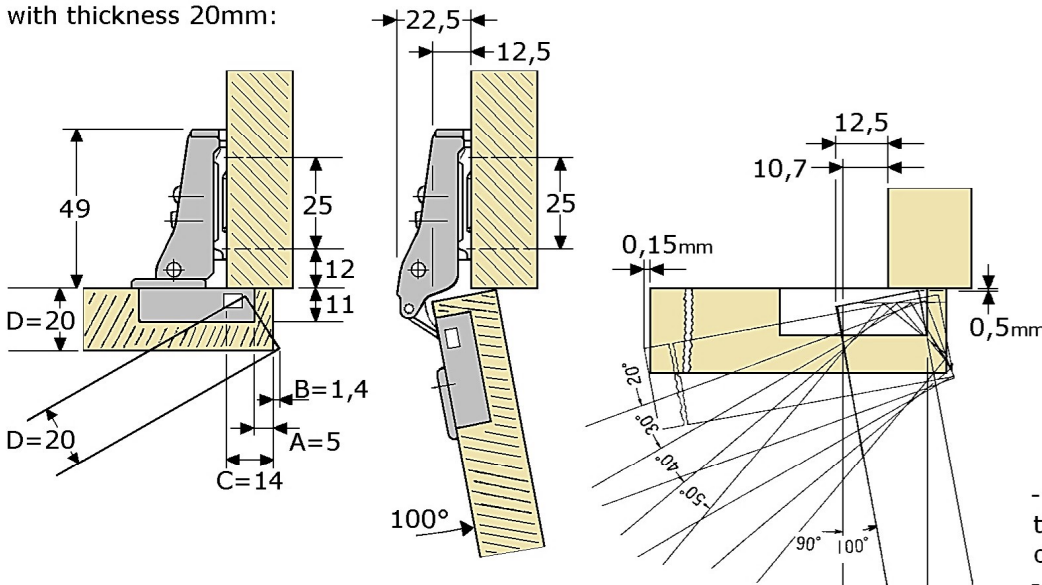
mountingplate 48mm, 3-dimensional adjustable stainless steel 304/A2 polished with 3 screwholes for screws 3,5/4mm in boxes of 40 Pcs. (without screws)



371279

distance plate 44mm, thickness 2mm polyamide ivory, can be stacked for mounting under mountingplate in boxes of 40 Pcs.

example of a door with thickness 20mm:



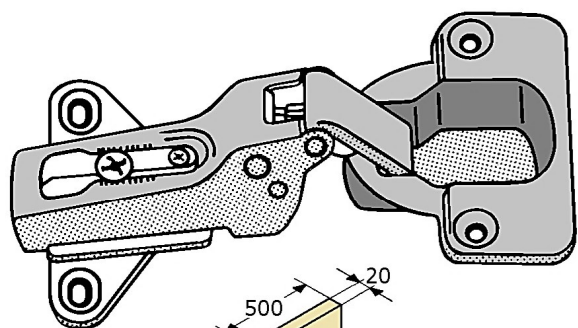
overlay distance in mm (C)	dooredge to bore distance (A)		
	3mm	4mm	5mm
14mm	-	-	V
13mm	-	V	V
12mm	V	V	W
11mm	V	W	W
10mm	W	W	W

thickness (D) of the door	opening clearance (B)
15mm	0,5mm
16mm	0,7mm
17mm	0,8mm
18mm	1,0mm
19mm	1,2mm
20mm	1,4mm

V = hinge with mountingplate 371277
 W= hinge with mountingplate 371277 and distance plate 371279



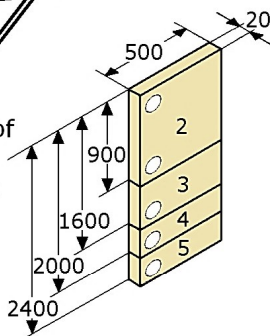
PIMEX B.V.
 Coenecoop 131
 2741 PJ WADDINXVEEN (NL)
 Tel. (31) 182 - 61 11 66
 Email: info@pimex.nl



371264

concealed hinges with opening 100°, free swinging stainless steel 304/A2 polished for 5-9mm overlay door for door thickness 15-20mm cup diameter ø35mm, bore depth 11mm ### without spring, so minimum magnetism ### with countersunk screwholes (3,5mm) (mountingplate 371277 to be ordered separately) (distanceplate 371279 to be ordered separately) in boxes of 40 Pcs. (without screws)

number of hinges required:

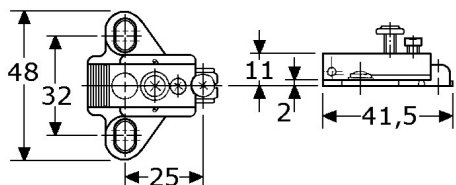


for 5-9mm overlay



371274

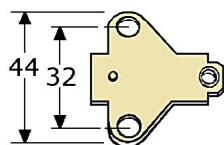
concealed hinges with opening 100° stainless steel 304/A2 polished for 5-9mm overlay door for door thickness 15-20mm cup diameter ø35mm, bore depth 11mm with stainless steel catch with stainless steel spring with countersunk screwholes (3,5mm) (mountingplate 371277 to be ordered separately) (distanceplate 371279 to be ordered separately) in boxes of 40 Pcs. (without screws)



371277



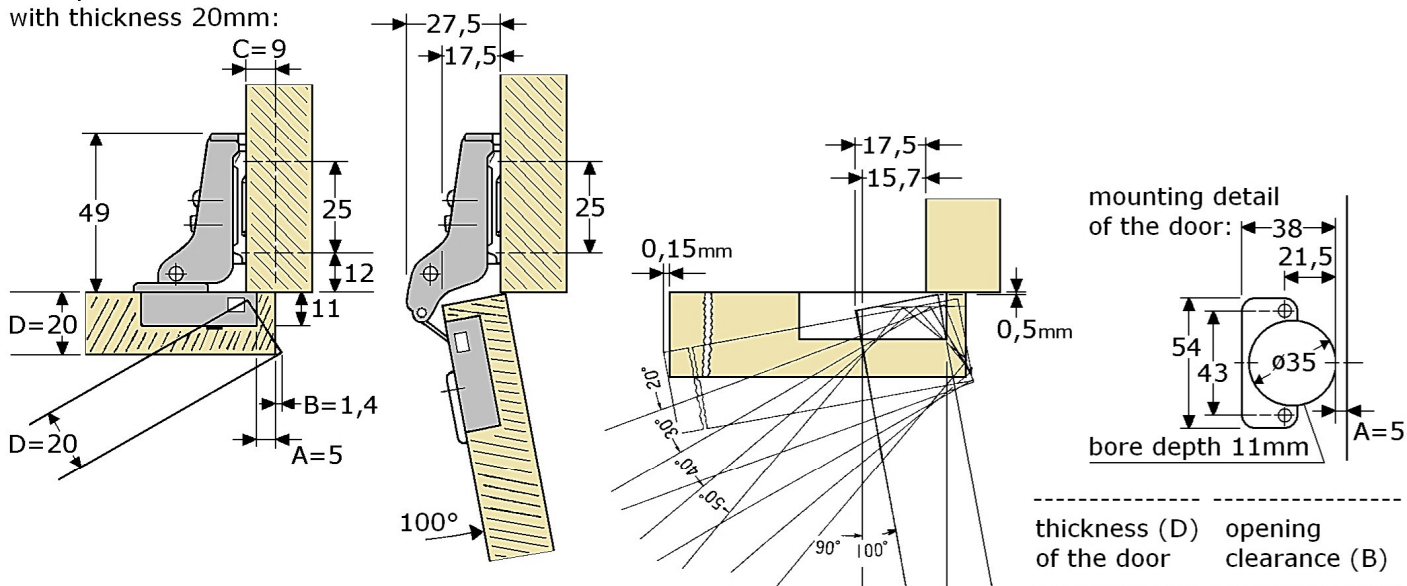
mountingplate 48mm, 3-dimensional adjustable stainless steel 304/A2 polished with 3 screwholes for screws 3,5/4mm in boxes of 40 Pcs. (without screws)



371279

distance plate 44mm, thickness 2mm polyamide ivory, can be stacked for mounting under mountingplate in boxes of 40 Pcs.

example of a door with thickness 20mm:



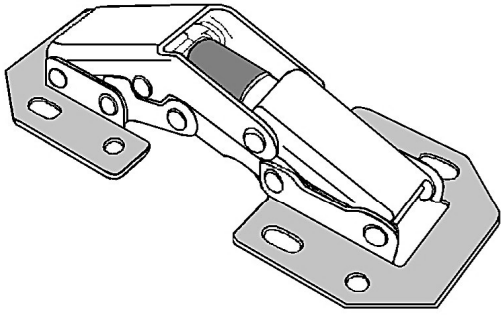
overlay distance in mm (C)	dooredge to bore distance (A)		
	3mm	4mm	5mm
9mm	-	-	V
8mm	-	V	V
7mm	V	V	W
6mm	V	W	W
5mm	W	W	W

V = hinge with mountingplate 371277
W = hinge with mountingplate 371277 and distance plate 371279

thickness (D) of the door	opening clearance (B)
15mm	0,5mm
16mm	0,7mm
17mm	0,8mm
18mm	1,0mm
19mm	1,2mm
20mm	1,4mm

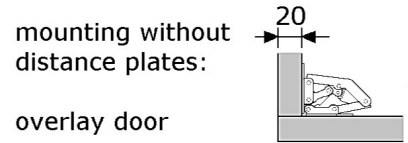
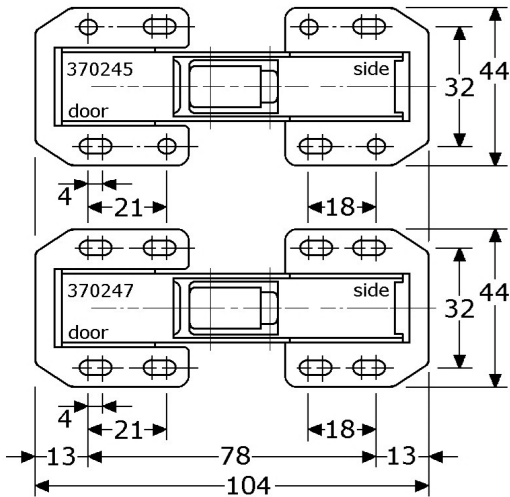


PIMEX B.V.
Coenecoop 131
2741 PJ WADDINXVEEN (NL)
Tel. (31) 182 - 61 11 66
Email: info@pimex.nl



370245

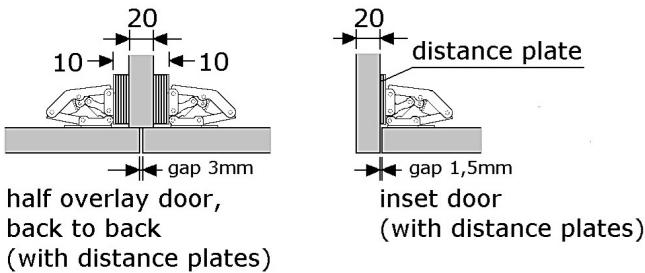
cabinet hinge "easy on", invisible and adjustable
 stainless steel 304/A2 unpolished
 for inset, recessed, overlay and half overlay doors
 for door thickness till 20mm, no gap in door !!!
 maximum opening 90°, selfclosing from hook 45°
 with strong hardened steel catch & spring (C-85)
 for mounting from the backside of the door
 with 4 screwholes ø4mm and 4 adjustable holes
 for easy and quick installing
 in boxes of 10 Pcs. (without screws)



370247

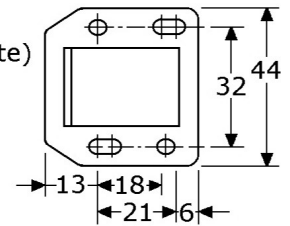


cabinet hinge "easy on", invisible and adjustable
 stainless steel 316/A4 (satin)
 for inset, recessed, overlay and half overlay doors
 for door thickness till 20mm, no gap in door !!!
 maximum opening 90°, selfclosing from hook 45°
 with strong hardened steel catch & spring (C-85)
 for mounting from the backside of the door
 with 4+4 adjustable holes
 for easy and quick installing
 in boxes of 10 Pcs. (without screws)

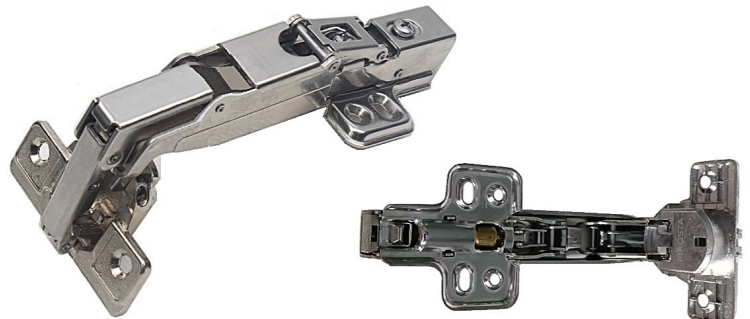


370249

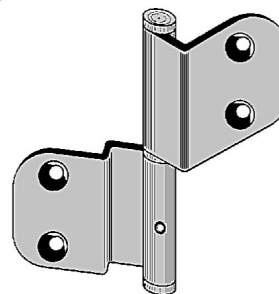
distance plate 2mm
 out of Polyamide (PA-6 white)
 with 4 holes ø4mm and
 with 4 long holes
 in boxes of 10 Pcs.



PIROSTA concealed hinges for opening 165°
 stainless steel 304/A2 polished
 like type 371361/371363/371365
 with integrated brass EasyClose softclosing
 see page GY-372a, GY-372b and GY-372c



PIROSTA hinges for opening 270°
 stainless steel 316/A4 satin polished
 like type 338243/338244/338245/338246
 for TRESPA plate of 6-13mm,
 see page GY-338a



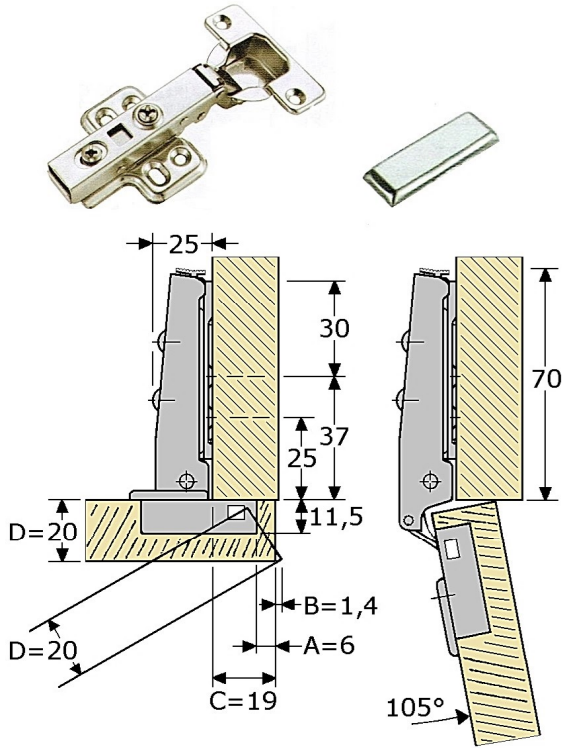
PIROSTA project hinges for opening 270°
 stainless steel 304/A2 satin polished
 like type 376272/376275
 knuckle with nice hospital tip,
 see page GY-377a and GY-377b



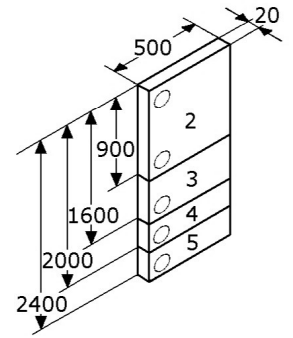
PIMEX B.V.
 Coenecoop 131
 2741 PJ WADDINXVEEN (NL)
 Tel. (31) 182 - 61 11 66
 Email: info@pimex.nl

371341

PIROSTA concealed hinges with opening 105°
 stainless steel 304/A2 polished
 for 16-20mm overlay door
 for door thickness 14mm - 21mm
 cup diameter $\varnothing 35\text{mm}$, bore depth 11,5mm
 with integrated brass EasyClose softclosing
 clip-on with release lever for easy mounting
 with stainless steel clip-on cover on the arm
 with screwholes 3,5mm
 3-way-adjustment function by mounting plate
 with square mounting plate with 4 screwholes
 in boxes of 40 Pcs. (with mounting plate)

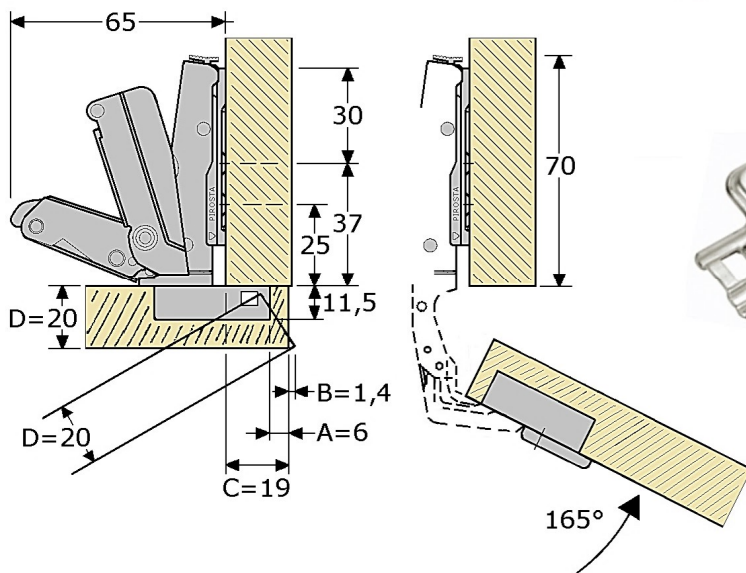
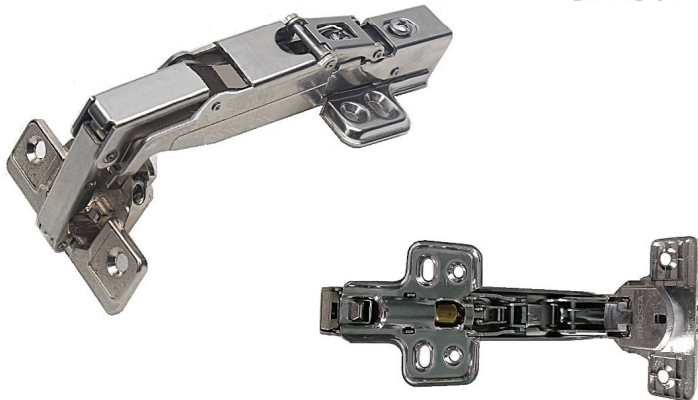


example of
 a door with
 thickness 20mm



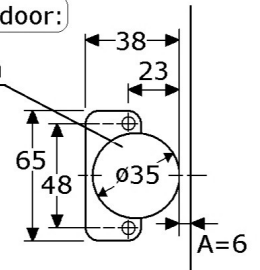
371361

PIROSTA concealed hinges with opening 165°
 stainless steel 304/A2 polished
 for 16-20mm overlay door
 for door thickness 14mm - 21mm
 cup zinc alloy nickel plated $\varnothing 35\text{mm}$
 with integrated brass EasyClose softclosing
 clip-on with release lever for easy mounting
 bore depth 11,5mm, with screwholes 3,5mm
 3-way-adjustment function by mounting plate
 with square mounting plate with 4 screwholes
 in boxes of 40 Pcs. (with mounting plate)



mounting detail of the door:

bore depth 11,5mm



thickness (D) of the door	opening clearance (B)
15mm	0,5mm
16mm	0,7mm
17mm	0,8mm
18mm	1,0mm
19mm	1,2mm
20mm	1,4mm

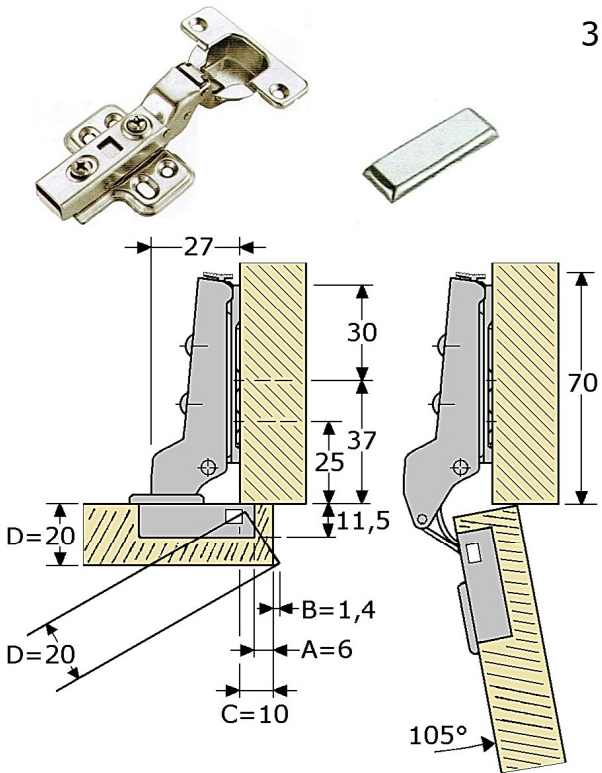
overlay distance	dooredge to bore distance (A)				
	3mm	4mm	5mm	6mm	7mm
(C)	16mm	17mm	18mm	19mm	20mm



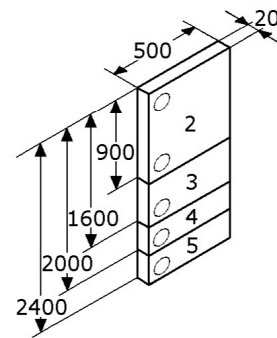
PIMEX B.V.
 Coenecoop 131
 2741 PJ WADDINXVEEN (NL)
 Tel. (31) 182 - 61 11 66
 Email: info@pimex.nl

371343

PIROSTA concealed hinges with opening 105° stainless steel 304/A2 polished for 7-11mm overlay door for door thickness 14mm - 21mm cup diameter ø35mm, bore depth 11,5mm with integrated brass EasyClose softclosing clip-on with release lever for easy mounting with stainless steel clip-on cover on the arm with screwholes 3,5mm 3-way-adjustment function by mounting plate with square mounting plate with 4 screwholes in boxes of 40 Pcs. (with mounting plate)

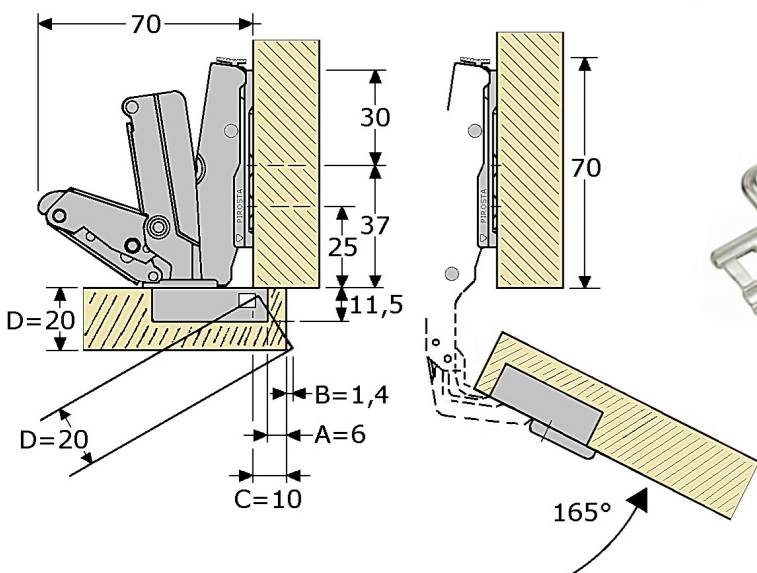
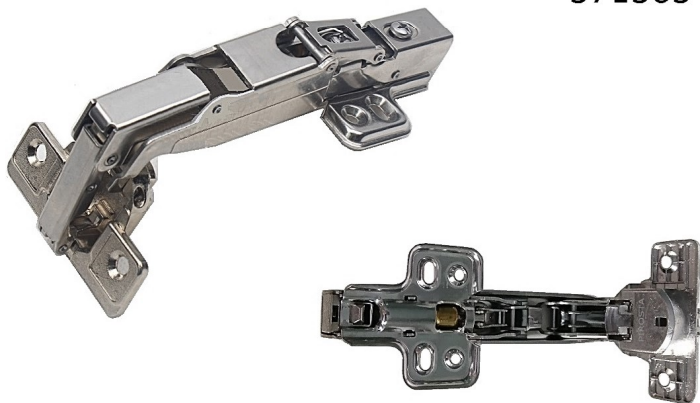


example of a door with thickness 20mm



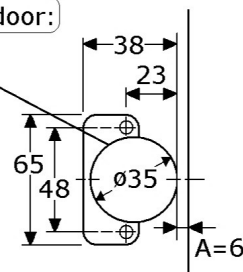
371363

PIROSTA concealed hinges with opening 165° stainless steel 304/A2 polished for 7-11mm overlay door for door thickness 14mm - 21mm cup zinc alloy nickel plated ø35mm with integrated brass EasyClose softclosing clip-on with release lever for easy mounting bore depth 11,5mm, with screwholes 3,5mm 3-way-adjustment function by mounting plate with square mounting plate with 4 screwholes in boxes of 40 Pcs. (with mounting plate)



mounting detail of the door:

bore depth 11,5mm



thickness (D) of the door	opening clearance (B)
15mm	0,5mm
16mm	0,7mm
17mm	0,8mm
18mm	1,0mm
19mm	1,2mm
20mm	1,4mm

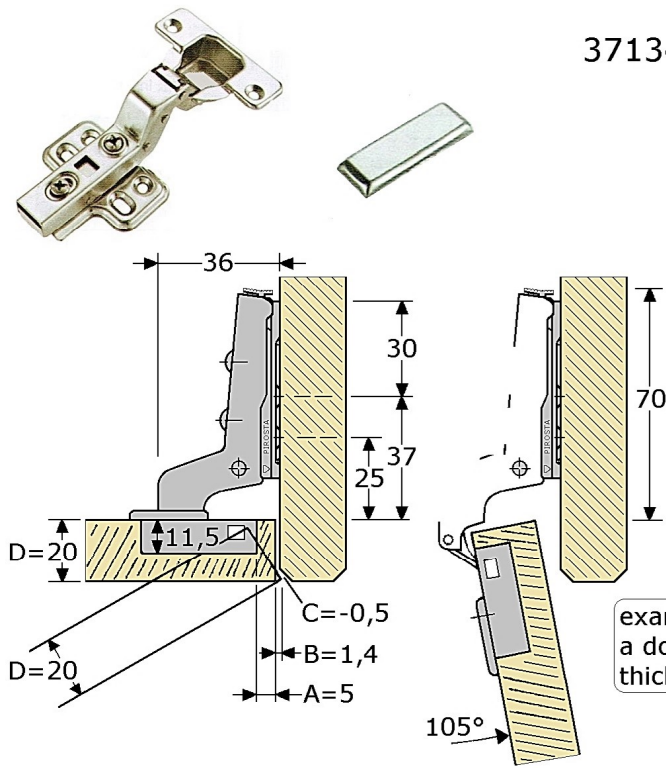
overlay distance (C)	dooredge to bore distance (A)				
	3mm	4mm	5mm	6mm	7mm
(C)	7mm	8mm	9mm	10mm	11mm



PIMEX B.V.
Coenecoop 131
2741 PJ WADDINXVEEN (NL)
Tel. (31) 182 - 61 11 66
Email: info@pimex.nl

371345

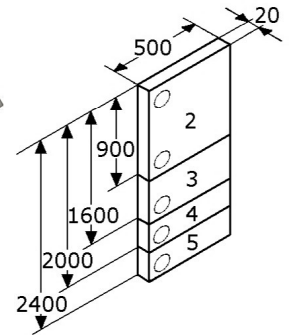
PIROSTA concealed hinges with opening 105°
 stainless steel 304/A2 polished
 for inset door
 for door thickness 14mm - 21mm
 cup diameter $\varnothing 35\text{mm}$, bore depth 11,5mm
 with integrated brass EasyClose softclosing
 clip-on with release lever for easy mounting
 with stainless steel clip-on cover on the arm
 with screwholes 3,5mm
 3-way-adjustment function by mounting plate
 with square mounting plate with 4 screwholes
 in boxes of 40 Pcs. (with mounting plate)



example of
 a door with
 thickness 20mm

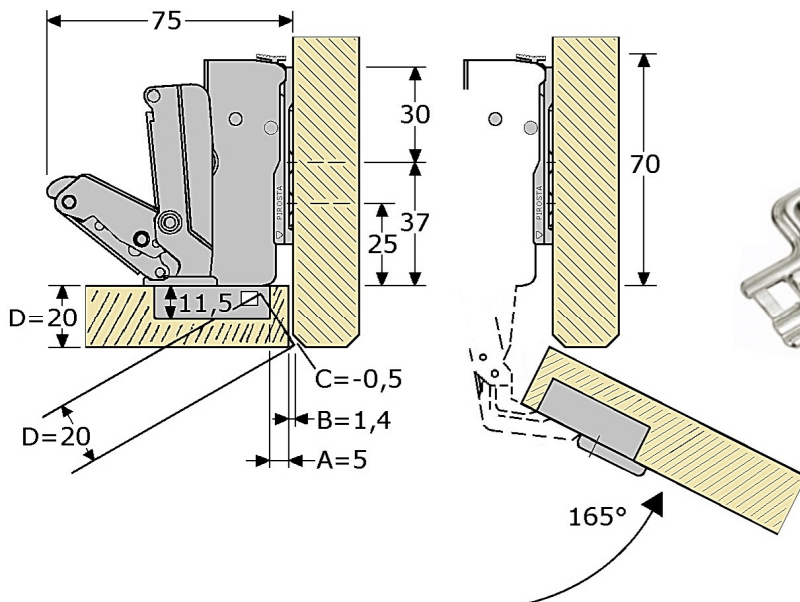
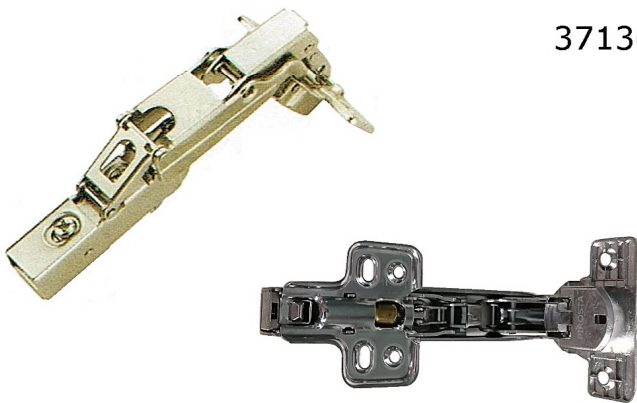


Easy
 Close



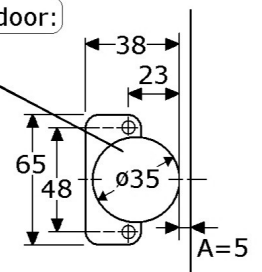
371365

PIROSTA concealed hinges with opening 165°
 stainless steel 304/A2 polished
 for inset door
 for door thickness 14mm - 21mm
 cup zinc alloy nickel plated $\varnothing 35\text{mm}$
 with integrated brass EasyClose softclosing
 clip-on with release lever for easy mounting
 bore depth 11,5mm, with screwholes 3,5mm
 3-way-adjustment function by mounting plate
 with square mounting plate with 4 screwholes
 in boxes of 40 Pcs. (with mounting plate)



mounting detail of the door:

bore depth 11,5mm

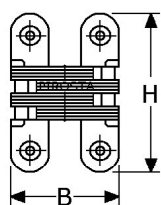


thickness (D) of the door	opening clearance (B)
15mm	0,5mm
16mm	0,7mm
17mm	0,8mm
18mm	1,0mm
19mm	1,2mm
20mm	1,4mm

overlay distance	dooredge to bore distance (A)		
	3mm	4mm	5mm
(C)	-2,5mm	-1,5mm	-0,5mm



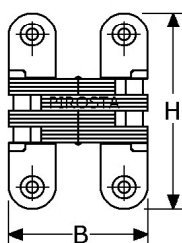
PIMEX B.V.
 Coenecoop 131
 2741 PJ WADDINXVEEN (NL)
 Tel. (31) 182 - 61 11 66
 Email: info@pimex.nl



378457



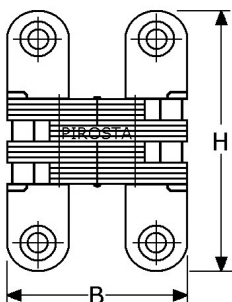
PIROSTA concealed hinges, high 70mm
totally stainless steel 316/1.4401/A4 satin polished
with solid stainless steel 316 body
with links & pins out of stainless steel 316
opening 135°, if closed not visible
width (C) 15,7mm, totally widthness (B) 42,6mm
for door thickness 22-26mm
bore depth (F) 7mm till (D) 23mm
bore lenght (i) 34mm till (H) 70mm
single countersunk screwholes (4mm) ctc 51,5mm
in boxes of 10 Pcs. with stainless steel screws



378459

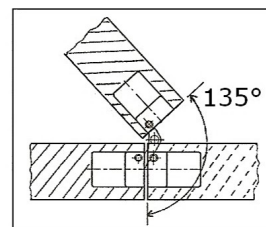
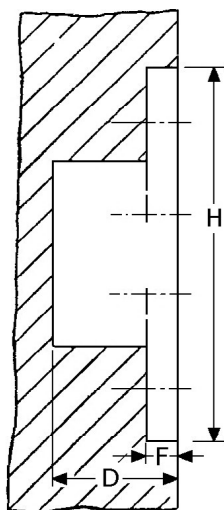
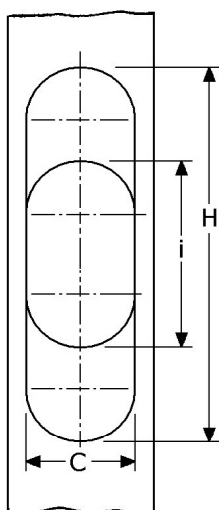


PIROSTA concealed hinges, high 95,6mm
totally stainless steel 316/1.4401/A4 satin polished
with solid stainless steel 316 body
with links & pins out of stainless steel 316
opening 180°, if closed not visible
width (C) 19mm, totally widthness (B) 50mm
for door thickness 28-34mm
bore depth (F) 10,5mm till (D) 27,5mm
bore lenght (i) 51mm till (H) 95,6mm
single countersunk screwholes (4,5mm) ctc 73mm
in boxes of 8 Pcs. with stainless steel screws

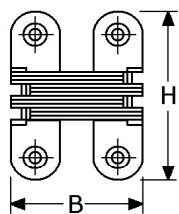


378463

PIROSTA concealed hinges, high 117,7mm
totally stainless steel 316/1.4401/A4 satin polished
with solid stainless steel 316 body
with links & pins out of stainless steel 316
opening 135°, if closed not visible
width (C) 25,1mm, totally widthness (B) 72mm
for min. 35mm door thickness
bore depth (F) 12mm till (D) 37,5mm
bore lenght (i) 65mm till (H) 117,7mm
single countersunk screwholes (5mm) ctc 92mm
in boxes of 2 Pcs. with stainless steel screws

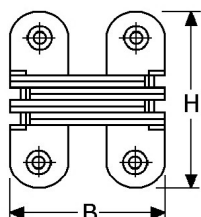
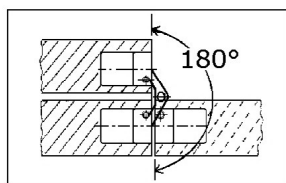


PIMEX B.V.
Coenecoop 131
2741 PJ WADDINXVEEN (NL)
Tel. (31) 182 - 61 11 66
Email: info@pimex.nl



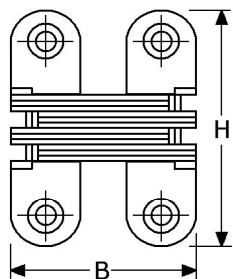
378211

concealed hinges, high 43mm
 body zinc alloy nickel plated, if closed not visible
 with links & pins out of stainless steel 304/A2
 opening 180°, for door thickness 13-17mm
 width (C) 11mm, totally widthness (B) 29mm
 bore depth (F) 5mm till (D) 13mm
 bore length (i) 22mm till (H) 43mm
 single countersunk screwholes (3mm) ctc 32mm
 in boxes of 30 Pcs. with stainless steel screws



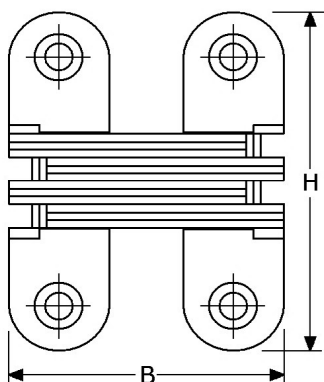
378213

concealed hinges, high 45mm
 body zinc alloy nickel plated, if closed not visible
 with links & pins out of stainless steel 304/A2
 opening 180°, for door thickness 18-20mm
 width (C) 13,2mm, totally widthness (B) 35,7mm
 bore depth (F) 5mm till (D) 18,5mm
 bore length (i) 19mm till (H) 45mm
 single countersunk screwholes (3mm) ctc 32mm
 in boxes of 20 Pcs. with stainless steel screws



378215

concealed hinges, high 60mm
 body zinc alloy nickel plated, if closed not visible
 with links & pins out of stainless steel 304/A2
 opening 180°, for door thickness 18-20mm
 width (C) 13,2mm, totally widthness (B) 35,2mm
 bore depth (F) 6,5mm till (D) 18,5mm
 bore length (i) 33mm till (H) 60mm
 single countersunk screwholes (3,5mm) ctc 47mm
 in boxes of 10 Pcs. with stainless steel screws

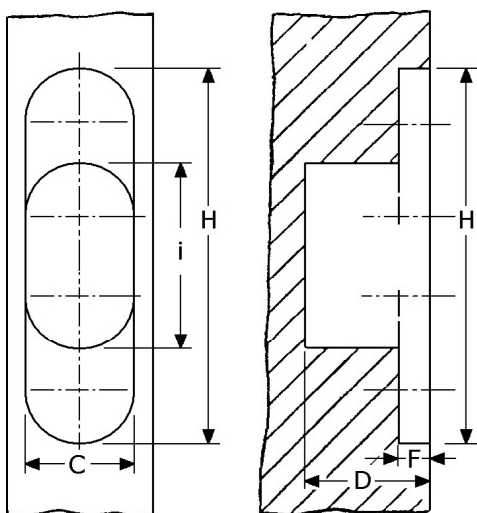


378217

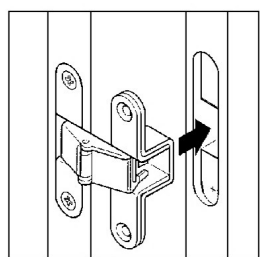
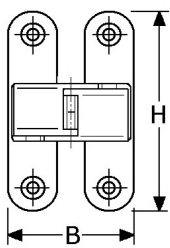
concealed hinges, high 70mm
 body zinc alloy nickel plated, if closed not visible
 with links & pins out of stainless steel 304/A2
 opening 180°, for door thickness 22-26mm
 width (C) 16,1mm, totally widthness (B) 42,6mm
 bore depth (F) 7mm till (D) 23mm
 bore length (i) 35mm till (H) 70mm
 single countersunk screwholes (4mm) ctc 53mm
 in boxes of 10 Pcs. with stainless steel screws

378219

concealed hinges, high 100mm
 body zinc alloy nickel plated, if closed not visible
 with links out of stainless steel 304/A2
 with pins out of steel & stainless steel 304/A2
 opening 180°, for door thickness 28-34mm
 width (C) 20mm, totally widthness (B) 53,2mm
 bore depth (F) 9,5mm till (D) 27,5mm
 bore length (i) 52mm till (H) 100mm
 single countersunk screwholes (4,5mm) ctc 80mm
 in boxes of 10 Pcs. with stainless steel screws



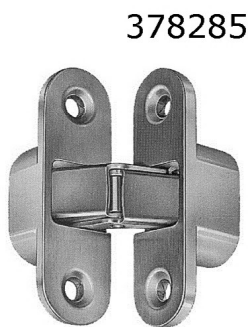
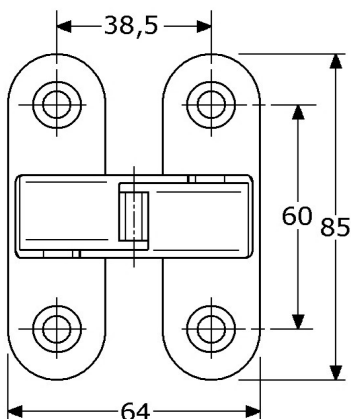
PIMEX B.V.
 Coenecoop 131
 2741 PJ WADDINXVEEN (NL)
 Tel. (31) 182 - 61 11 66
 Email: info@pimex.nl



378102

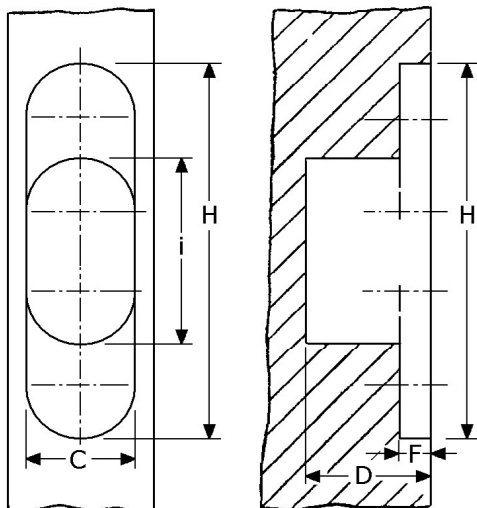
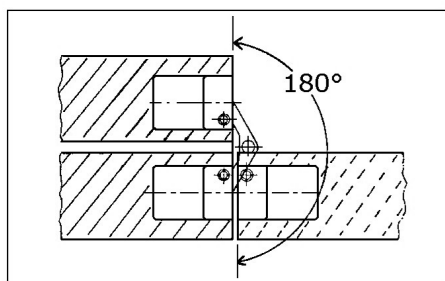


concealed hinges, high 160mm
 totally stainless steel 304/A2 satin polished
 with solid stainless steel 316/A4 body
 with massive stainless steel 316/A4 links
 opening 180°, for minimum door thickness 40mm
 leaf width (C) 30mm, totally widthness (B) 30mm
 bore depth (F) 2,4mm till (D) 14mm
 bore length (i) 19mm till (H) 50mm
 single countersunk screwholes (2,5mm) ctc 38mm
 in boxes of 24 Pcs. with stainless steel screws

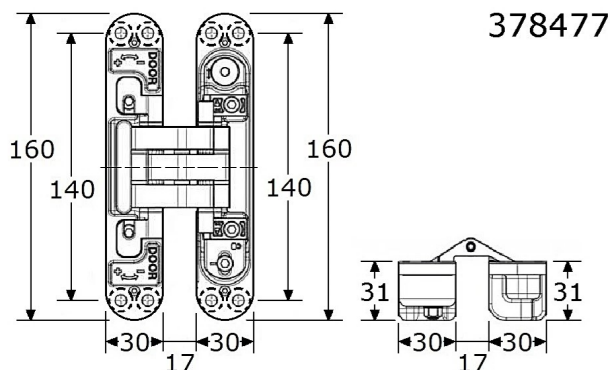


378285

concealed hinges, high 85mm
 white nylon body + stainless steel cover plate
 (visual all parts out of stainless steel)
 with big links & pins out of stainless steel 304/A2
 opening 180°, for door thickness min. 32mm
 leaf width (C) 25mm, totally widthness (B) 64mm
 bore depth (F) 7mm till (D) 28mm
 bore length (i) 42mm till (H) 85mm
 single countersunk screwholes (5mm) ctc 60mm
 maximum door weight 30 Kg (2 hinges)
 maximum door weight 50 kg (3 hinges)
 in boxes of 24 Pcs.

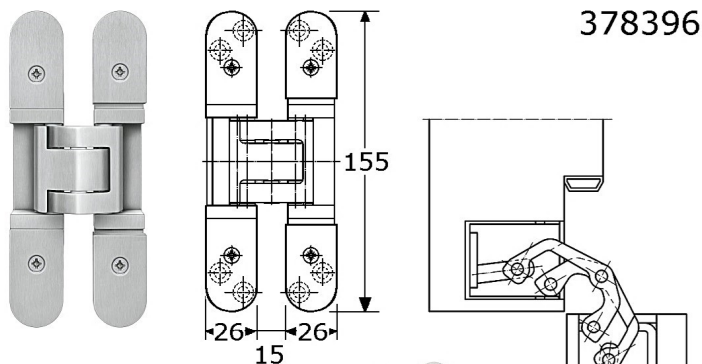
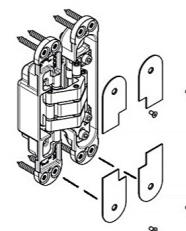
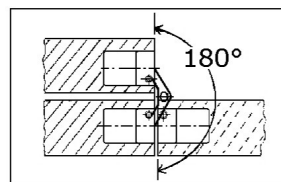


PIMEX B.V.
 Coenecoop 131
 2741 PJ WADDINXVEEN (NL)
 Tel. (31) 182 - 61 11 66
 Email: info@pimex.nl



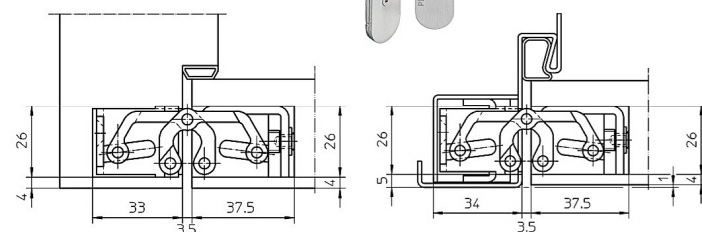
378477

concealed hinges, high 160mm
 totally stainless steel 316/A4 satin polished
 with solid stainless steel 316/A4 body
 massive stainless steel 304/A2 links, nylon washers
 for minimum door thickness 4+26+4=34mm
 opening 180°, with 3-way adjustment function:
 * depth adjustment 2mm
 * widthness adjustment 2mm
 * highness adjustment 3mm
 leaf width (C) 30mm, space between leaves 17mm
 totally width (B) 76-78mm
 bore depth (F/D) 7/31mm
 bore length (i) 129x30mm
 with each 4 stainless steel 316/A4 cover plates
 unvisable double screwholes (5mm/M5)
 maximum door weight 120 Kg (2 hinges)
 maximum door weight 140 Kg (3 hinges)
 in boxes of 2 Pcs.



378396

concealed hinges, high 155mm
 totally stainless steel 304/A2 satin polished
 with solid stainless steel 304/A2 body
 massive stainless steel 304/A2 links, nylon washers
 opening 180°, for minimum door thickness 34mm
 with 3-way adjustment function:
 * depth adjustment 1mm
 * widthness adjustment 3mm
 * highness adjustment 3mm
 leaf width (C) 26mm, space between leaves 15mm
 totally width (B) 66-68mm
 bore depth (F/D) 6/33mm
 bore depth adjustable leaf (F/D) 10/37,5mm
 bore length (i) 102x24mm
 with each 4 stainless steel 304/A2 cover plates
 unvisable double screwholes (5mm/M5)
 maximum door weight 100 Kg (2 hinges)
 in boxes of 2 Pcs.



PIMEX B.V.
 Coenecoop 131
 2741 PJ WADDINXVEEN (NL)
 Tel. (31) 182 - 61 11 66
 Email: info@pimex.nl