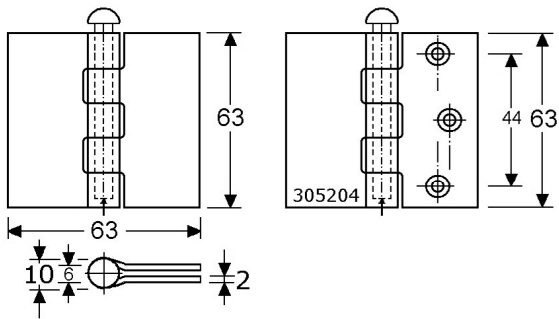


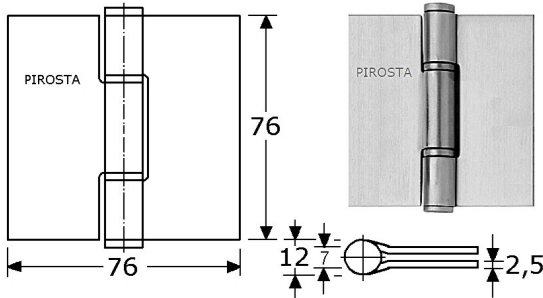
HINGES WITHOUT HOLES, stainless steel



340204
305204

rolled hinges with loose stainless steel pin \varnothing 6mm
stainless steel 304/A2/1.4301 unpolished
both leaves swaged for mortise application
rolled, 5-knuckles, without screwholes

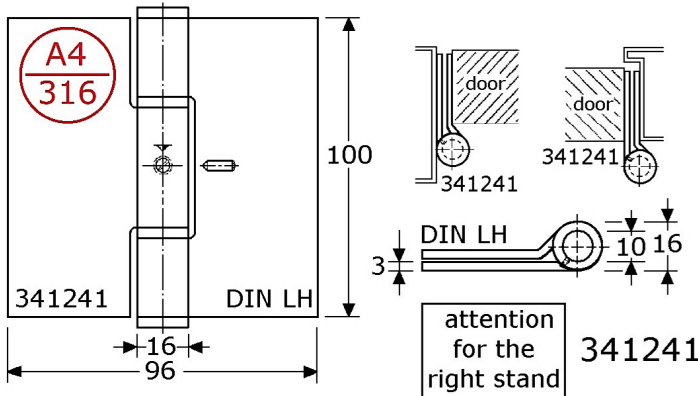
h	x	w	x	t	pin	boxes
63	x	63	x	2	6 mm	25 Pcs
like 340204,					but 1 leaf with 3 holes	25 Pcs



341219
312218

rolled hinges with loose stainless steel pin \varnothing 7mm
stainless steel 316/A4/1.4401 satin polished
both leaves swaged for mortise application
pin & tips out of stainless steel 316/A4
rolled, 3-knuckles, with 2 SS-316 washers

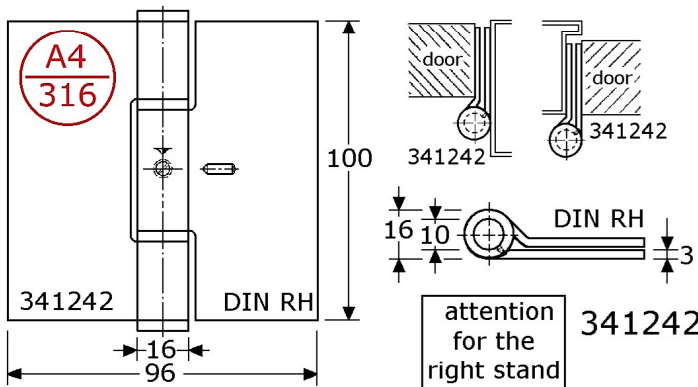
h	x	w	x	t	pin	boxes
76	x	76	x	2,5	7 mm	10 Pcs
like 341219,					but 1 (right) leaf with 3 screwholes	
(or 312217 =					with 1 (left) leaf with 3 screwholes)	



341241

PIROSTA hinges with 2x washers, LH
stainless steel 316/A4/1.4401 satin polished
1 leaf flat rolled, 1 leaf full swaged rolled:
for mortise and/or bigger opening application
blocked stainless steel pin \varnothing 10mm by security screw
pin & tips out of stainless steel 316/A4
3-knuckles, with 2 SS-316 washers, without holes

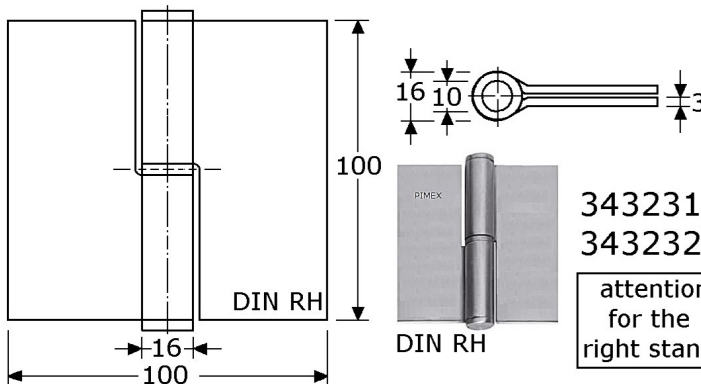
h	x	w	x	t	pin	stand	boxes
100	x	96	x	3	10mm	DIN LH	10 Pcs



341242

PIROSTA hinges with 2x washers, RH
stainless steel 316/A4/1.4401 satin polished
1 leaf flat rolled, 1 leaf full swaged rolled:
for mortise and/or bigger opening application
blocked stainless steel pin \varnothing 10mm by security screw
pin & tips out of stainless steel 316/A4
3-knuckles, with 2 SS-316 washers, without holes

h	x	w	x	t	pin	stand	boxes
100	x	96	x	3	10mm	DIN RH	10 Pcs



343231
343232

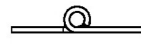
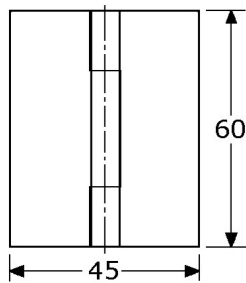
rolled lift-off hinges without holes
stainless steel 304/A2/1.4301 satin polished
both leaves swaged for mortise application
washer & tips out of stainless steel 304/A2

h	x	w	x	t	pin	stand	boxes
100	x	100	x	3	10mm	DIN LH	10 Pcs
100	x	100	x	3	10mm	DIN RH	10 Pcs



PIMEX B.V.
Coenecoop 131
2741 PJ WADDINXVEEN (NL)
Tel. (31) 182 - 61 11 66
Email: info@pimex.nl

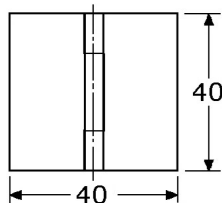
HINGES WITHOUT HOLES, stainless steel



344260

rolled hinges with fixed riveted stainless steel pin
stainless steel 304/A2/1.4301 unpolished
flat surface mounting, 3-knuckles, without holes

h x w x t	fixed pin	boxes
60 x 45 x 2 mm	4 mm	50 Pcs



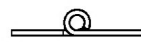
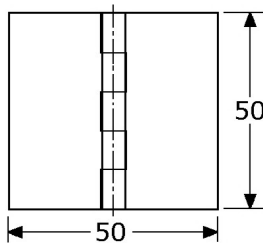
345210

345230

345228

rolled hinges with fixed riveted stainless steel pin
stainless steel 304/A2/1.4301 unpolished
flat surface mounting, 3-knuckles, without holes

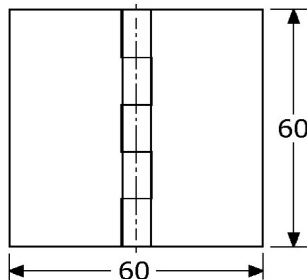
h x w x t	fixed pin	boxes
25 x 25 x 1 mm	2 mm	50 Pcs
40 x 40 x 1 mm	2,75 mm	50 Pcs
like 345230, but with 1 hole \varnothing 4,5mm		50 Pcs
(see also page GY-327)		



345240

rolled hinges with fixed riveted stainless steel pin
stainless steel 304/A2/1.4301 unpolished
flat surface mounting, 5-knuckles, without holes

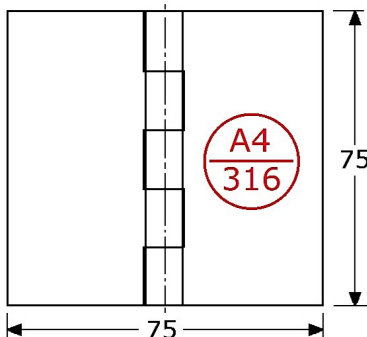
h x w x t	fixed pin	boxes
50 x 50 x 1,25	2,75 mm	50 Pcs



345260

rolled hinges with fixed riveted stainless steel pin
stainless steel 304/A2/1.4301 unpolished
flat surface mounting, 5-knuckles, without holes

h x w x t	fixed pin	boxes
60 x 60 x 1,5 mm	4 mm	25 Pcs

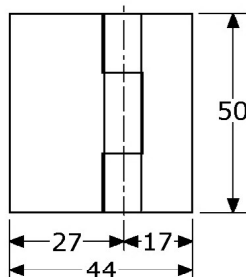


345281

325271

rolled hinges with fixed riveted stainless steel pin
stainless steel 316/A4/1.4401 unpolished
flat surface mounting, 5-knuckles, without holes

h x w x t	fixed pin	boxes
75 x 75 x 2,5 mm	6 mm	25 Pcs
like 345281, but with 6 holes		25 Pcs
(see page GY-320a)		



346212

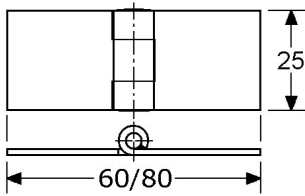
rolled hinges with fixed riveted stainless steel pin
stainless steel 304/A2/1.4301 unpolished
flat surface mounting, 3-knuckles, without holes
widthness 44mm (27+17mm) (delivery on request)

h x w x t	fixed pin	boxes
50 x 44 x 2,5 mm	6 mm	25/500 Pcs



PIMEX B.V.
Coenecoop 131
2741 PJ WADDINXVEEN (NL)
Tel. (31) 182 - 61 11 66
Email: info@pimex.nl

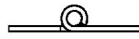
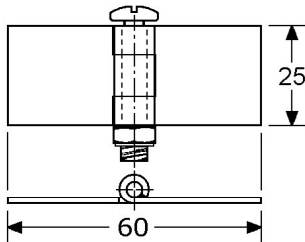
HINGES WITHOUT HOLES, stainless steel



346235
346237

rolled hinges with fixed riveted stainless steel pin
stainless steel 304/A2/1.4301 unpolished
flat surface mounting, 3-knuckles, without holes

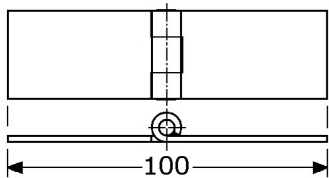
h x w x t	fixed pin	boxes
25 x 60 x 2 mm	6 mm	50 Pcs
25 x 80 x 2 mm	6 mm	50 Pcs



346236

rolled hinges with removable stainless steel bolt
stainless steel 304/A2/1.4301 unpolished
with self-locking nut: for fixing & easy demounting
flat surface mounting, 3-knuckles, without holes

h x w x t	pin	boxes
25 x 60 x 2 mm	6 mm	50 Pcs



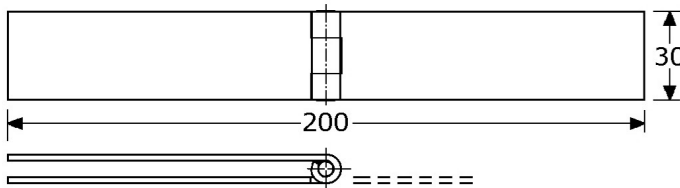
A4
316

346242

heavy duty hinges with fixed riveted SS-316 pin
stainless steel 316/A4/1.4401
flat surface mounting, 3-knuckles
rolled, no washers, without screwholes

A4
316

h x w x t	fixed pin	boxes
30 x 100 x 3 mm	6 mm	20 Pcs

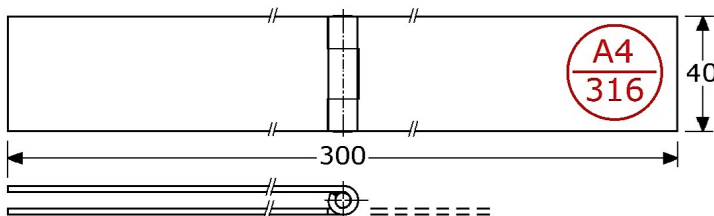


346246

heavy duty hinges with fixed riveted SS-316 pin
stainless steel 316/A4/1.4401
flat surface mounting, 3-knuckles
rolled, no washers, without screwholes

A4
316

h x w x t	fixed pin	boxes
30 x 200 x 3 mm	6 mm	20 Pcs

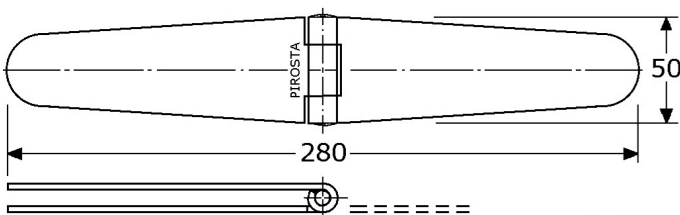


346257

heavy duty hinges with fixed riveted SS-316 pin
stainless steel 316/A4/1.4401
flat surface mounting, 3-knuckles
rolled, no washers, without screwholes

A4
316

h x w x t	fixed pin	boxes
40 x 300 x 3 mm	6 mm	20 Pcs



346260
364208

strap hinges with fixed riveted SS-316 pin
stainless steel 316/A4/1.4401
flat surface mounting, 3-knuckles
rolled, no washers, without screwholes

A4
316

h x w x t	fixed pin	boxes
50 x 280 x 3 mm	6 mm	10 Pcs
like 346260, but with 8 holes		10 Pcs

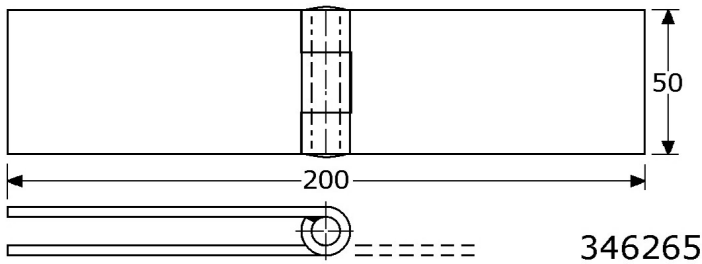
- more big stainless steel hinges in stock, like:
- 50x200x5mm (346265), see page GY-341b
 - 80x200x5mm (346268), see page GY-341b
 - 100x220x3mm (346280), see page GY-341b
 - 150x180x3mm (346290), see page GY-342b
 - 150x90x3mm (346295), see page GY-342b



PIMEX B.V.
Coenecoop 131
2741 PJ WADDINXVEEN (NL)
Tel. (31) 182 - 61 11 66
Email: info@pimex.nl

HINGES WITHOUT HOLES, stainless steel

thickness 5mm !!!

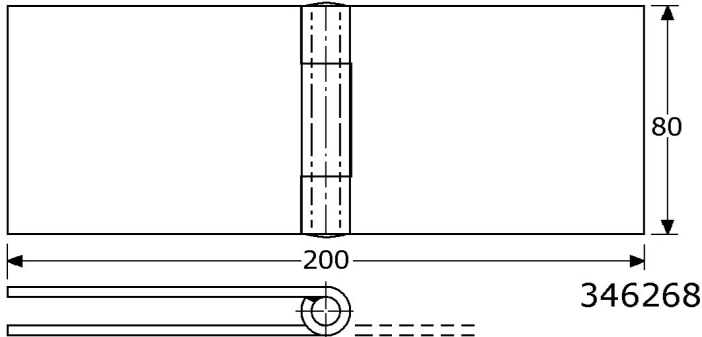


heavy duty hinges with fixed riveted SS-304 pin
stainless steel 304/A2/1.4301
flat surface mounting, 3-knuckles \varnothing 21mm
rolled, no washers
without screwholes

h x w x t	fixed pin	boxes
50 x 200 x 5 mm	10 mm	10 Pcs

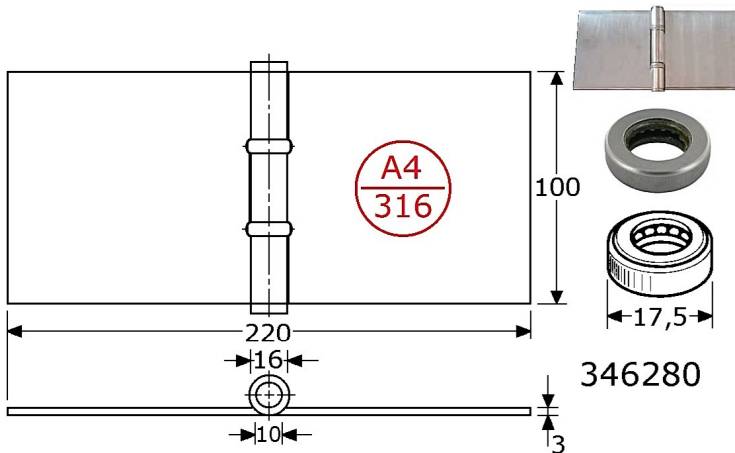


thickness 5mm !!!



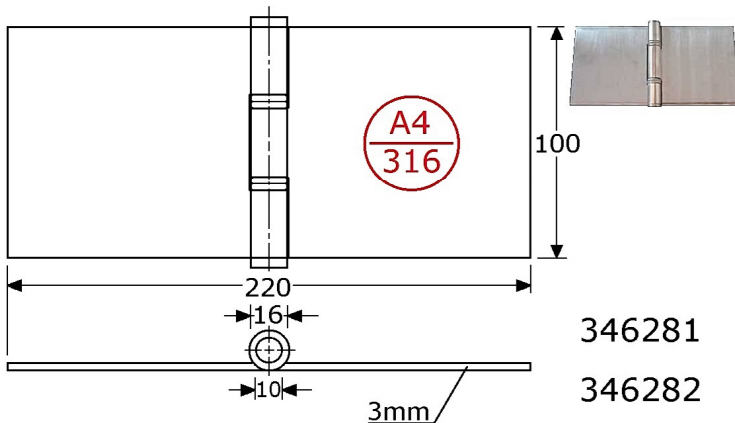
heavy duty hinges with fixed riveted SS-304 pin
stainless steel 304/A2/1.4301
flat surface mounting, 3-knuckles \varnothing 21mm
rolled, no washers
without screwholes

h x w x t	fixed pin	boxes
80 x 200 x 5 mm	10 mm	10 Pcs



rolled hinges with loose stainless steel pin \varnothing 10mm
stainless steel 316/A4/1.4401 satin polished
flat surface mounting, 3-knuckles
pin & bottom tip out of stainless steel 316/A4
with each 2 ball bearings stainless steel \varnothing 17,5mm
(outside & inside SS-304/A2, balls SS-420 harded)
without screwholes

h x w x t	pin	knuckle \varnothing	boxes
100x220x3 mm	10mm	16mm	10 Pcs



rolled hinges with loose stainless steel pin \varnothing 10mm
stainless steel 316/A4/1.4401 satin polished
flat surface mounting, 3-knuckles
pin & bottom tip out of stainless steel 316/A4
with each 4 stainless steel 316/A4 washers
(totally hinge out of stainless steel 316/A4)
without screwholes

h x w x t	pin	knuckle \varnothing	boxes
100x220x3 mm	10mm	16mm	10 Pcs

346282

like 346281, but with each 4 bronze washers
(CuSn12: salt water resistant)

346283

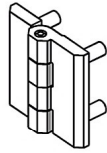
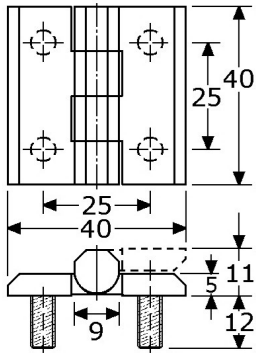
like 346281, but with each 4 white nylon washers

A4
316



PIMEX B.V.
Coenecoop 131
2741 PJ WADDINXVEEN (NL)
Tel. (31) 182 - 61 11 66
Email: info@pimex.nl

HINGES WITHOUT HOLES, stainless steel

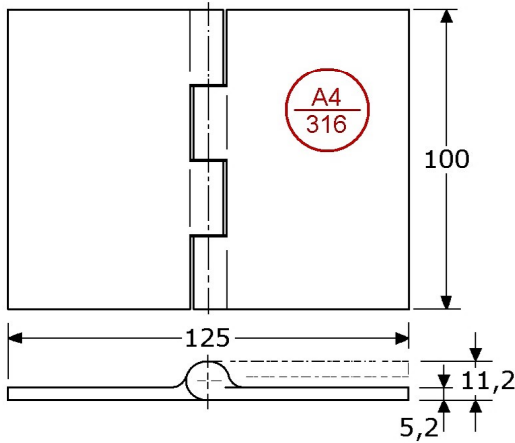


A4
316

329258

butt hinges with fixed stainless steel pin
stainless steel 316/A4/1.4571 satin polished
flat surface mounting, 4-knuckles \varnothing 9mm
solid casting, no bearing, without screwholes
with 4x thread stainless steel M5x12

h x w x t	knuckle \varnothing	boxes
40 x 40 x 5 mm	9mm	10 Pcs

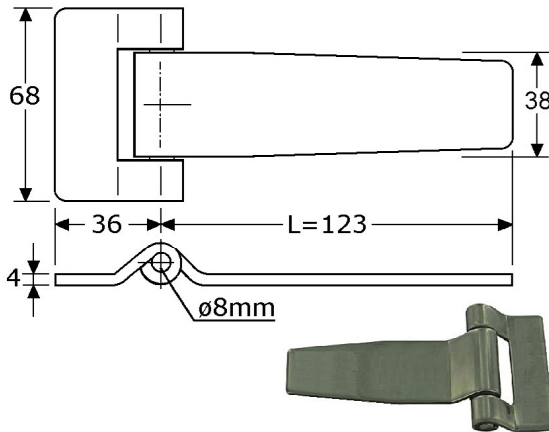


A4
316

342287
329287

butt hinges with fixed stainless steel pin
stainless steel 316/A4/1.4401 mirror polished
flat surface mounting, 4-knuckles \varnothing 11,2mm
solid casting, no bearing, without screwholes
widthness 125mm ($62\frac{1}{2} + 62\frac{1}{2}$ mm)

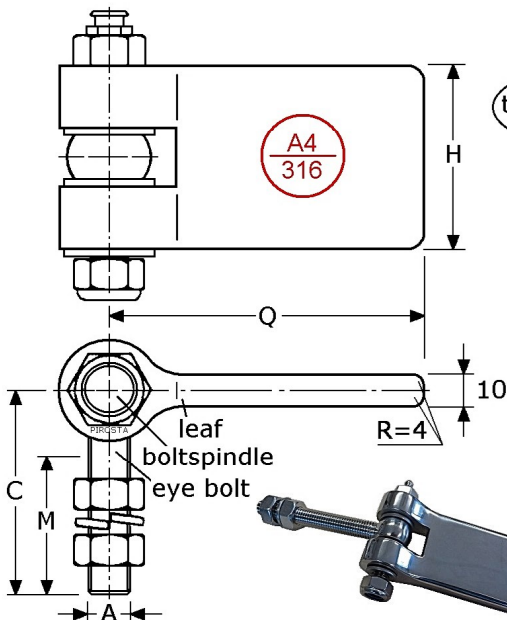
h x w x t	knuckle \varnothing	boxes
100x125x5,2mm	11,2mm	10 Pcs
like 342287, but with 8 countersunk holes (see also page GY-326)		



346273
367273

T-strap hinges with fixed stainless steel pin
stainless steel 304/A2/1.4301 mirror polished
flat surface mounting, 3-knuckles \varnothing 16mm
with fixed riveted stainless steel pin \varnothing 8mm
with each 2 small nylon washers
widthness 159mm ($36+123$ mm)
without screwholes

h x w x t	pin	knuckle \varnothing	boxes
38 x159x4 mm	8 mm	16mm	12 Pcs
like 346273, but with 4 holes \varnothing 6,4mm (see also page GY-363)			



thickness 10mm
!!!

A4
316

398329
398331

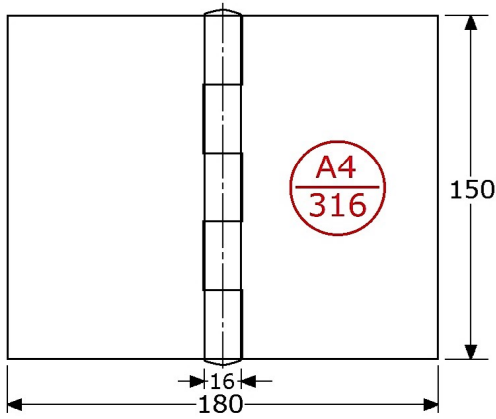
heavy duty weld-on hinges
stainless steel 316/A4/1.4401 mirror polished
thickness plate 10mm, centre type
solid casting, for maximum load 485 N/mm²
with pin/bolt spindle 316/A4 \varnothing 12mm
with brass or stainless steel 316/A4 grease nipple
with washers and selflocking nut
(more information, see page GY-398b & GY-398c)

h x Q x t	pin	eye bolt	boxes
50 x 97x10mm	12mm	M 12x100	10 Pcs
like 398329, but with stainless steel grease nipple			



PIMEX B.V.
Coenecoop 131
2741 PJ WADDINXVEEN (NL)
Tel. (31) 182 - 61 11 66
Email: info@pimex.nl

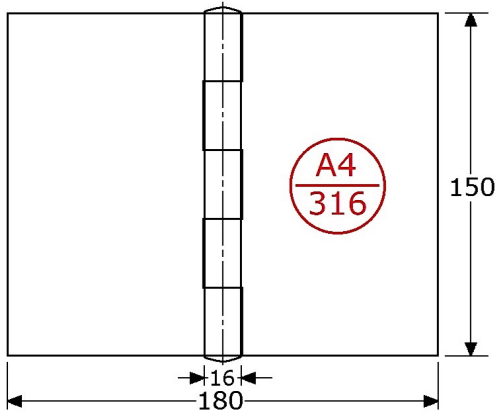
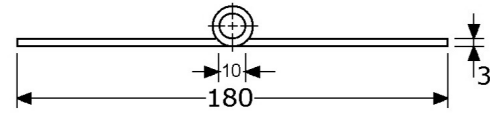
HINGES WITHOUT HOLES, stainless steel



346290

heavy duty hinges with fixed riveted SS-316 pin stainless steel 316/A4/1.4401 satin polished flat surface mounting, 5-knuckles ϕ 16mm rolled, no washers, without screwholes widthness 180mm (90+90mm)

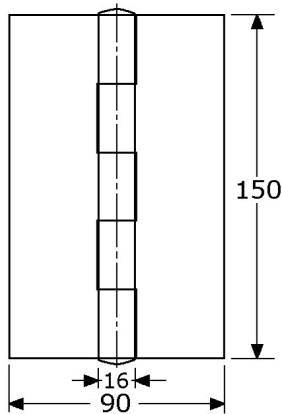
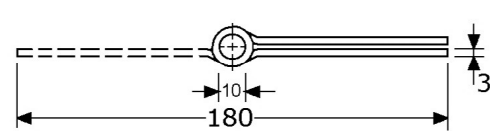
h x w x t	fixed pin	boxes
150x180x3 mm	10 mm	10 Pcs



346292

heavy duty hinges with fixed riveted SS-316 pin stainless steel 316/A4/1.4401 satin polished both leaves swaged, 5-knuckles ϕ 16mm rolled, no washers, without screwholes widthness 180mm (90+90mm)

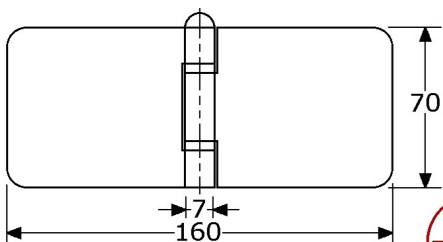
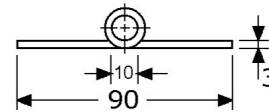
h x w x t	fixed pin	boxes
150x180x3 mm	10 mm	10 Pcs



346295

heavy duty hinges with fixed riveted SS-316 pin stainless steel 316/A4/1.4401 satin polished flat surface mounting, 5-knuckles ϕ 16mm rolled, no washers, without screwholes widthness 90mm (45+45mm)

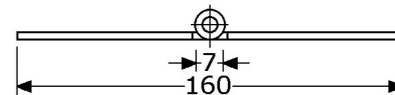
h x w x t	fixed pin	boxes
150x 90 x3 mm	10 mm	10 Pcs



346207

heavy duty hinges with each 2 white nylon washers stainless steel 316/A4/1.4401 satin flat surface rolled, 3-knuckles ϕ 13mm with stainless steel milled edge pin ϕ 7mm widthness 160mm (80+80mm)

h x w x t	pin	boxes
70 x160x3 mm	7 mm	10 Pcs

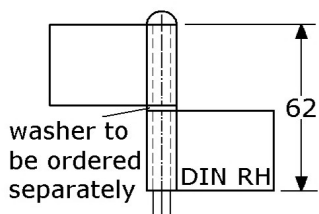
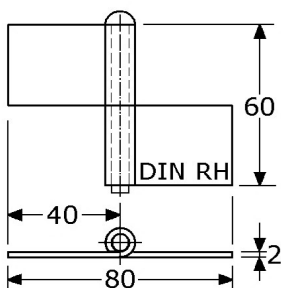


for heavy duty piano hinges in stainless steel 304/A2 or 316/A4 like 80x2mm or 100x3mm or 140x4mm, see page GY-351



PIMEX B.V.
Coenecoop 131
2741 PJ WADDINXVEEN (NL)
Tel. (31) 182 - 61 11 66
Email: info@pimex.nl

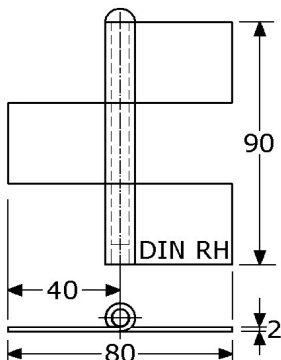
HINGES WITHOUT HOLES, stainless steel



- 347201
- 347211
- 347202
- 347212

rolled hinges with loose stainless steel pin \varnothing 6mm
 stainless steel 304/A2/1.4301 unpolished
 flat surface mounting, 2-knuckles of each h=30mm
 for welding, without screwholes
 loose pin \varnothing 6x64mm with top rounded head
 without washer (washer to be ordered separately)
 left/right easy changable (also for offset use)

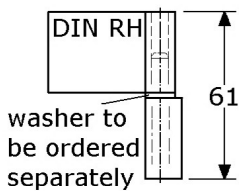
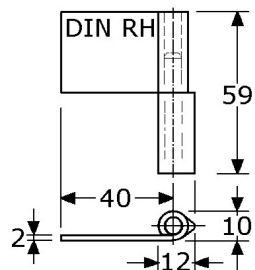
h	x	w	x	t	pin	knuckle \varnothing	boxes	
60	x	80	x	2	mm	6x64	10mm	20 Pcs
62	x	80	x	2	mm	= like 347201, but with washer		
60	x	80	x	2	mm	6x76	10mm	20 Pcs
62	x	80	x	2	mm	= like 347202, but with washer		



- 347203
- 347213

rolled hinges with loose stainless steel pin \varnothing 6mm
 stainless steel 304/A2/1.4301 unpolished
 flat surface mounting, 3-knuckles of each h=30mm
 for welding, without screwholes
 loose pin \varnothing 6x76mm with top rounded head
 without washer (washer to be ordered separately)
 left/right easy changable (also for offset use)

h	x	w	x	t	pin	knuckle \varnothing	boxes	
90	x	80	x	2	mm	6x76	10mm	20 Pcs
94	x	80	x	2	mm	= like 347203, but with 2x washer		



- 347206
- 347216

rolled hinges without screwholes with pin \varnothing 6mm
 stainless steel 304/A2/1.4301 unpolished
 door leaf : flat rolled lift-off leaf, highness 30mm
 frame leaf: weld-on hinge out of profile,
 highness 29mm with pin \varnothing 6mm
 without washer (washer to be ordered separately)
 left/right easy changable (also for offset use)

h	x	c	x	t	pin	knuckle \varnothing	boxes		
59	x	40	x	2	mm	6	mm	10mm	20 Pcs
61	x	40	x	2	mm	= like 347206, but with washer			

for bigger weld-on hinges in stainless steel,
 see page GY-343b, GY-344a and GY-344b

for weld-on hinges in steel,
 see page GF-441 (group 04)

for weld-on hinges in stainless steel,
 see page GY-348a, GY-348b and GY-349a

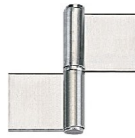
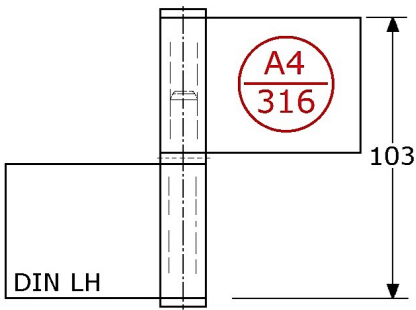
for weld-on hinges in steel,
 see page GF-449a and GF-449b (group 04)

for weld-on hinges in aluminium,
 see page GF-450 (group 04)



PIMEX B.V.
 Coenecoop 131
 2741 PJ WADDINXVEEN (NL)
 Tel. (31) 182 - 61 11 66
 Email: info@pimex.nl

HINGES WITHOUT HOLES, stainless steel

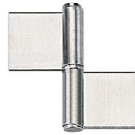
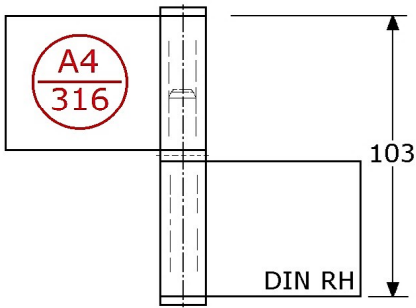


rolled lift-off hinges without holes with pin \varnothing 10mm
 stainless steel 316/A4/1.4401 satin polished
 door leaf : flat rolled lift-off leaf, h=50mm
 frame leaf: flat rolled, h=50mm, pin \varnothing 10mm
 pin & tips out of stainless steel 316/A4/1.4401
 with stainless steel 316/A4/1.4401 washer
 give up left or right, changable for offset

attention
for the
right stand

347251

h	x	w	x	t	pin	stand	boxes
103	x	116	x	3	10mm	DIN LH	10 Pcs

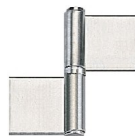
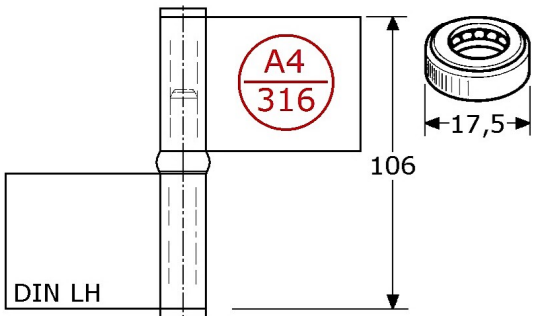


rolled lift-off hinges without holes with pin \varnothing 10mm
 stainless steel 316/A4/1.4401 satin polished
 door leaf : flat rolled lift-off leaf, h=50mm
 frame leaf: flat rolled, h=50mm, pin \varnothing 10mm
 pin & tips out of stainless steel 316/A4/1.4401
 with stainless steel 316/A4/1.4401 washer
 give up left or right, changable for offset

attention
for the
right stand

347252

h	x	w	x	t	pin	stand	boxes
103	x	116	x	3	10mm	DIN RH	10 Pcs

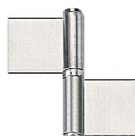
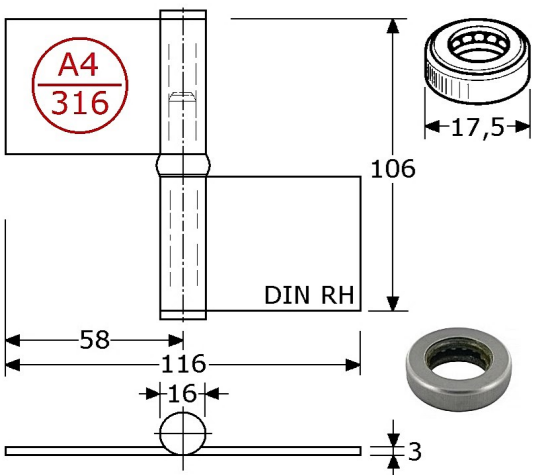


rolled lift-off hinges without holes with pin \varnothing 10mm
 stainless steel 316/A4/1.4401 satin polished
 door leaf : flat rolled lift-off leaf, h=50mm
 frame leaf: flat rolled, h=50mm, pin \varnothing 10mm
 pin & tips out of stainless steel 316/A4/1.4401
 with each 1 ball bearing stainless steel \varnothing 17,5mm
 (outside & inside SS-304/A2, balls SS-420 harded)
 give up left or right, changable for offset

attention
for the
right stand

347241

h	x	w	x	t	pin	stand	boxes
106	x	116	x	3	10mm	DIN LH	10 Pcs



rolled lift-off hinges without holes with pin \varnothing 10mm
 stainless steel 316/A4/1.4401 satin polished
 door leaf : flat rolled lift-off leaf, h=50mm
 frame leaf: flat rolled, h=50mm, pin \varnothing 10mm
 pin & tips out of stainless steel 316/A4/1.4401
 with each 1 ball bearing stainless steel \varnothing 17,5mm
 (outside & inside SS-304/A2, balls SS-420 harded)
 give up left or right, changable for offset

attention
for the
right stand

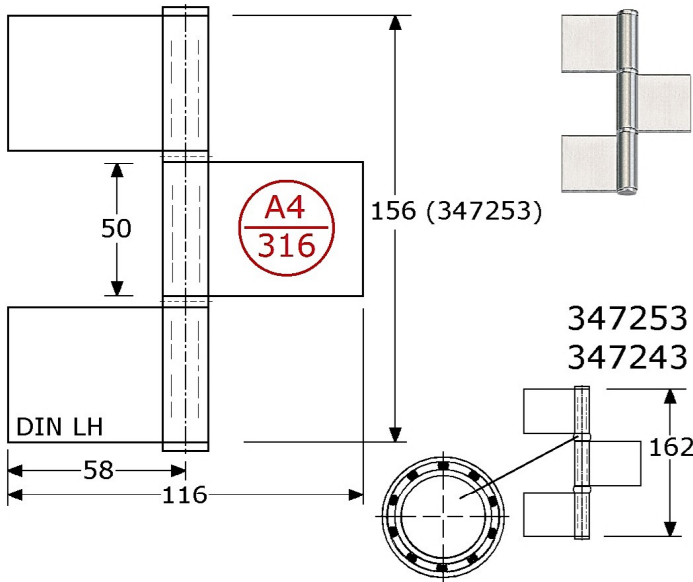
347242

h	x	w	x	t	pin	stand	boxes
106	x	116	x	3	10mm	DIN RH	10 Pcs



PIMEX B.V.
 Coenecoop 131
 2741 PJ WADDINXVEEN (NL)
 Tel. (31) 182 - 61 11 66
 Email: info@pimex.nl

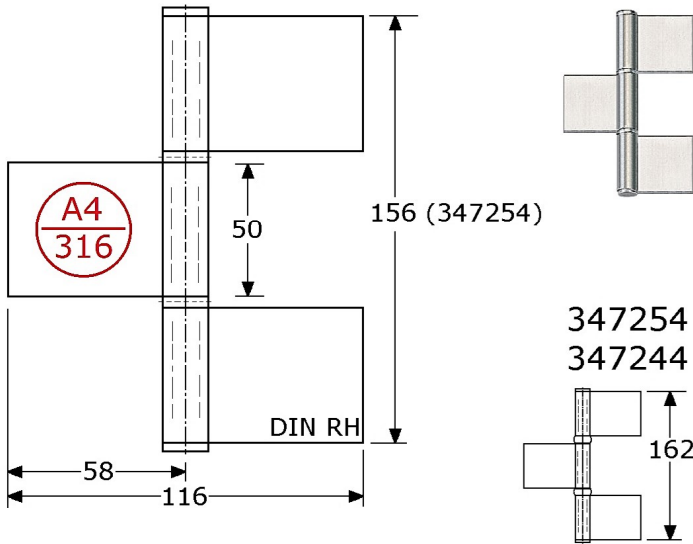
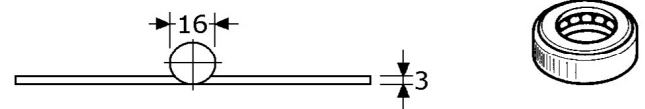
HINGES WITHOUT HOLES, stainless steel



rolled hinges with loose stainless steel pin $\varnothing 10$ mm
 stainless steel 316/A4/1.4401 satin polished
 flat surface mounting, 3-knuckles of each $h=50$ mm
 for welding, without screwholes, DIN LH
 pin & tips out of stainless steel 316/A4/1.4401
 with 2 stainless steel 316/A4/1.4401 washers
 left/right easy changable (also for offset use)

h	x	w	x	t	pin	knuckle \varnothing	boxes
---	---	---	---	---	-----	-----------------------	-------

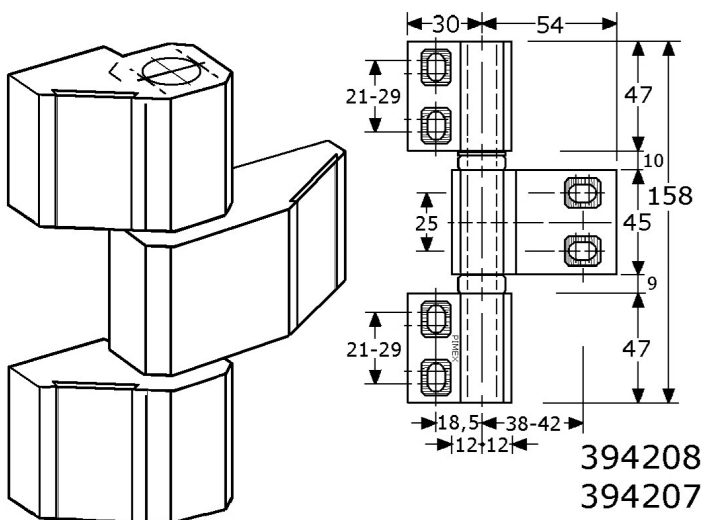
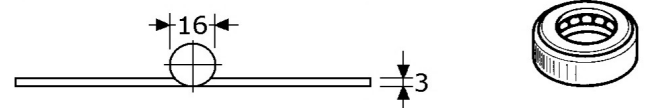
156x116x3 mm 10mm 16mm 10 Pcs
 like 347253, but highness 162mm
 with each 2 ball bearing stainless steel $\varnothing 17,5$ mm
 (outside & inside SS-304/A2, balls SS-420 hardened)



rolled hinges with loose stainless steel pin $\varnothing 10$ mm
 stainless steel 316/A4/1.4401 satin polished
 flat surface mounting, 3-knuckles of each $h=50$ mm
 for welding, without screwholes, DIN RH
 pin & tips out of stainless steel 316/A4/1.4401
 with 2 stainless steel 316/A4/1.4401 washers
 left/right easy changable (also for offset use)

h	x	w	x	t	pin	knuckle \varnothing	boxes
---	---	---	---	---	-----	-----------------------	-------

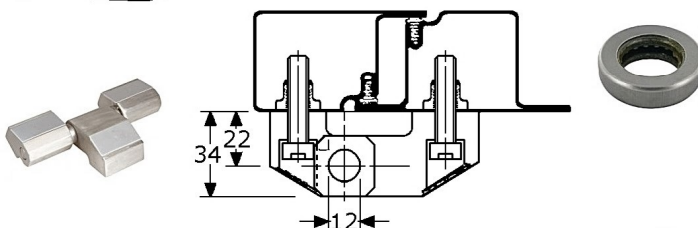
156x116x3 mm 10mm 16mm 10 Pcs
 like 347254, but highness 162mm
 with each 2 ball bearing stainless steel $\varnothing 17,5$ mm
 (outside & inside SS-304/A2, balls SS-420 hardened)



heavy duty profile hinges, 3-pieces
 stainless steel 304/A2/1.4301, solid raw finish
 highness 158mm, maximum thickness 34mm
 with locked up pin stainless steel 304/A2 $\varnothing 12$ mm
 with each 2x steel-nickel ball bearing $\varnothing 26$ mm
 (steel ball-bearing of high 9mm: total high 158mm)
 for flat mounting, widthness 30+54=84mm
 usable for almost all system profiles
 with 2x3 adjustable screwholes with ribs
 for socked head cap screws 8mm/M8
 with each 3 stainless steel cover plates
 maximum door weight 150 Kg (2 hinges)

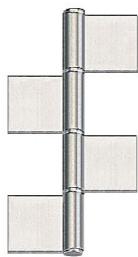
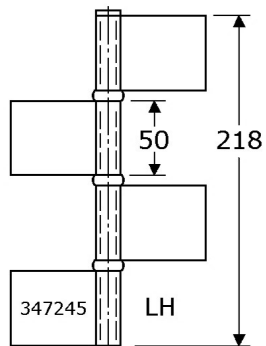
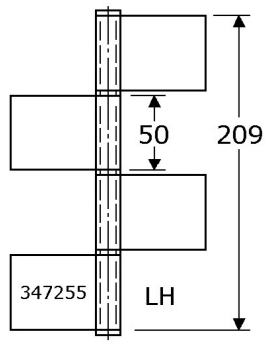
h	x	w	pin	boxes
---	---	---	-----	-------

158x 84 mm 12mm LH/RH 10 Pcs
 like 394208, but highness 156mm
 with each 2 ball bearing stainless steel $\varnothing 22,5$ mm
 (outside & inside SS-304/A2, balls SS-420 hardened)
 (SS ball bearing of high 8mm: total high 156mm)



PIMEX B.V.
 Coenecoop 131
 2741 PJ WADDINXVEEN (NL)
 Tel. (31) 182 - 61 11 66
 Email: info@pimex.nl

HINGES WITHOUT HOLES, stainless steel

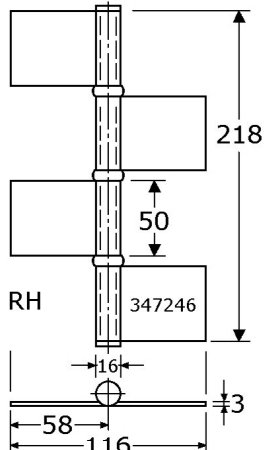
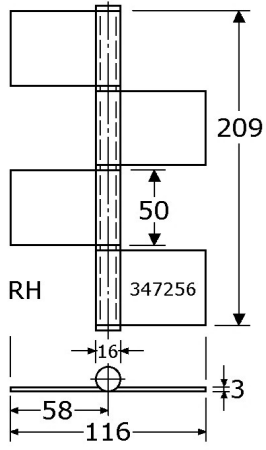


rolled hinges with loose pin $\varnothing 10\text{mm}$, LH
 stainless steel 316/A4/1.4401 satin polished
 flat surface mounting, 4-knuckles of each $h=50\text{mm}$
 for welding, without screwholes
 pin & tips out of stainless steel 316/A4/1.4401
 with 3 stainless steel 316/A4/1.4401 washers
 left/right easy changable (also for offset use)

h	x	w	x	t	pin	knuckle \varnothing	boxes
209	x	116	x	3	10mm	16mm	10 Pcs

347255
347245

like 347255, but highness 218mm
 with each 3 ball bearing stainless steel $\varnothing 17,5\text{mm}$
 (outside & inside SS-304/A2, balls SS-420 hardened)

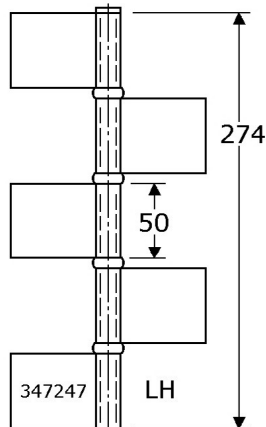
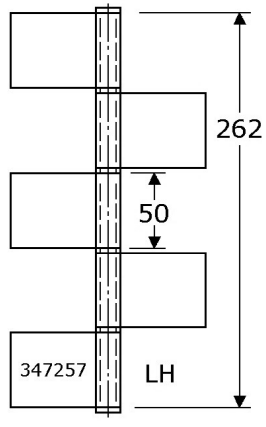


rolled hinges, like 347255 but stand RH
 stainless steel 316/A4/1.4401 satin polished
 flat surface mounting, 4-knuckles of each $h=50\text{mm}$
 with 3 stainless steel 316/A4/1.4401 washers

h	x	w	x	t	pin	knuckle \varnothing	boxes
209	x	116	x	3	10mm	16mm	10 Pcs

347256
347246

like 347256, but highness 218mm
 with each 3 ball bearing stainless steel $\varnothing 17,5\text{mm}$
 (outside & inside SS-304/A2, balls SS-420 hardened)

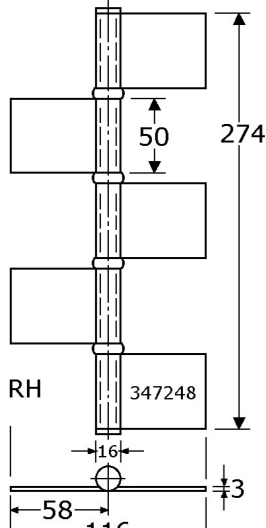
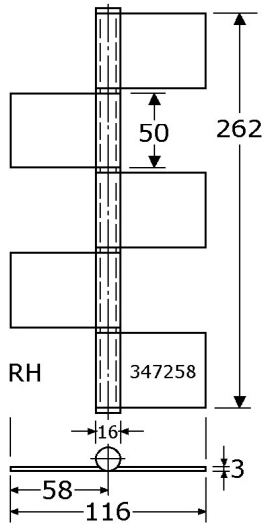


rolled hinges with loose pin $\varnothing 10\text{mm}$, LH
 stainless steel 316/A4/1.4401 satin polished
 flat surface mounting, 5-knuckles of each $h=50\text{mm}$
 for welding, without screwholes
 pin & tips out of stainless steel 316/A4/1.4401
 with 4 stainless steel 316/A4/1.4401 washers
 left/right easy changable (also for offset use)

h	x	w	x	t	pin	knuckle \varnothing	boxes
262	x	116	x	3	10mm	16mm	10 Pcs

347257
347247

like 347257, but highness 274mm
 with each 4 ball bearing stainless steel $\varnothing 17,5\text{mm}$
 (outside & inside SS-304/A2, balls SS-420 hardened)



rolled hinges, like 347257 but stand RH
 stainless steel 316/A4/1.4401 satin polished
 flat surface mounting, 5-knuckles of each $h=50\text{mm}$
 with 4 stainless steel 316/A4/1.4401 washers

h	x	w	x	t	pin	knuckle \varnothing	boxes
262	x	116	x	3	10mm	16mm	10 Pcs

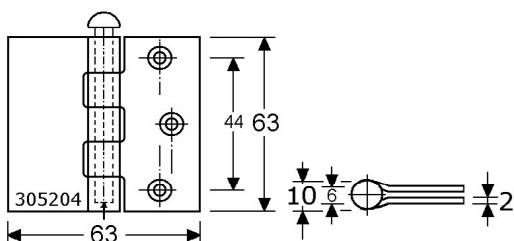
347258
347248

like 347258, but highness 274mm
 with each 4 ball bearing stainless steel $\varnothing 17,5\text{mm}$
 (outside & inside SS-304/A2, balls SS-420 hardened)



PIMEX B.V.
 Coenecoop 131
 2741 PJ WADDINXVEEN (NL)
 Tel. (31) 182 - 61 11 66
 Email: info@pimex.nl

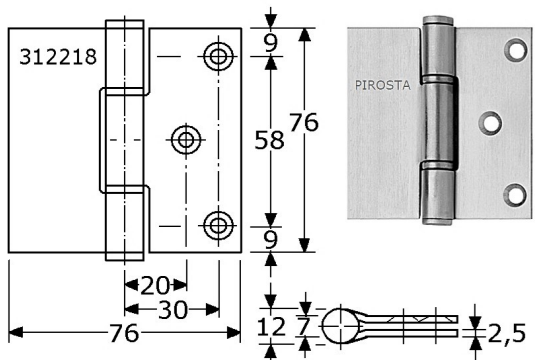
SPECIAL LIFT-OFF HINGES, stainless steel



rolled hinges with loose stainless steel pin $\varnothing 6\text{mm}$
 stainless steel 304/A2/1.4301, 5-knuckles
 both leaves swaged for mortise application
 with 1 leaf with 3 countersunk holes (4mm/M4)
 (see also page GY-305)

305204

h x w x t	pin	boxes
63x63x2mm (2½"x2½")	$\varnothing 6\text{mm}$	25 Pcs

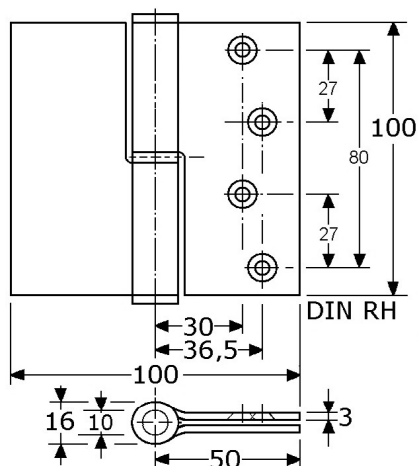


attention
for the
right stand

rolled hinges with loose pin SS-316 $\varnothing 7\text{mm}$
 stainless steel 316/A4/1.4401 satin polished
 both leaves swaged for mortise application
 with 1 leaf with 3 countersunk holes (5mm/M5)
 3-knuckles $\varnothing 12\text{mm}$, washers stainless steel 316/A4
 pin & flat tips out of stainless steel 316/A4
 (example: for wooden door on stainless steel frame)

312217
312218

h x w x t	pin	stand	boxes
76 x 76 x 2,5 mm	7mm	DIN LH	10 Pcs
76 x 76 x 2,5 mm	7mm	DIN RH	10 Pcs



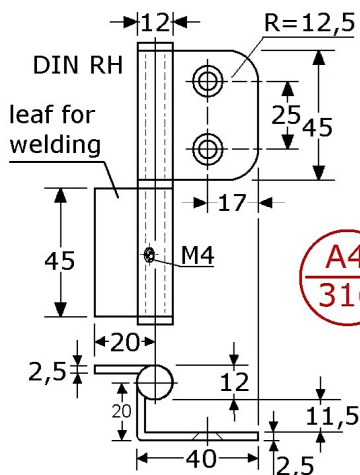
DIN RH

attention
for the
right stand

rolled lift-off hinges with pin $\varnothing 10\text{mm}$
 stainless steel 304/A2/1.4301 satin polished
 both leaves swaged for mortise application
 with 1 leaf with 4 countersunk holes (4,5/M5)
 knuckle $\varnothing 16\text{mm}$, washer stainless steel 304/A2
 pin & flat tips out of stainless steel 304/A2
 (example: for wooden door on stainless steel frame)

347283
347284

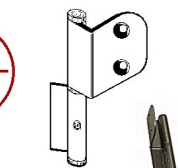
h x w x t	pin	stand	boxes
100x100x3 mm	10mm	DIN LH	10 Pcs
100x100x3 mm	10mm	DIN RH	10 Pcs



338241

LH

PIROSTA hinge for plate 6-10mm, LH
 stainless steel 316/A4/1.4401 satin polished
 highness 90mm, thickness 2,5mm, for inset door
 with leaf 2,5mm for welding on profile
 with 2 countersunk screwholes (5mm/M5)
 in boxes of 20 Pcs.



338242

RH

PIROSTA hinge for plate 6-10mm, RH
 stainless steel 316/A4/1.4401 satin polished
 highness 90mm, thickness 2,5mm, for inset door
 with leaf 2,5mm for welding on profile
 with 2 countersunk screwholes (5mm/M5)
 in boxes of 20 Pcs. (RH = as showed)

attention
for the
right stand



PIMEX B.V.
 Coenecoop 131
 2741 PJ WADDINXVEEN (NL)
 Tel. (31) 182 - 61 11 66
 Email: info@pimex.nl

SPECIAL LIFT-OFF HINGES , stainless steel

DIN RH

attention for the right stand

347281
347282

lift-off hinges with pin \varnothing 10mm
stainless steel 304/A2/1.4301
with swaged leaf 100x50mm with 4 holes (4,5/M5)
under part: weld-on profile h=50mm with pin \varnothing 10mm
knuckle \varnothing 16mm, washer stainless steel 304/A2
pin & flat tip out of stainless steel 304/A2
(example: for wooden door on stainless steel frame)

h	x	c	x	t	pin	stand	boxes
101	x	50	x	3	10mm	DIN LH	10 Pcs
101	x	50	x	3	10mm	DIN RH	10 Pcs

DIN RH

attention for the right stand

347481
347482

lift-off hinges with pin \varnothing 10mm
stainless steel 304/A2/1.4301
with swaged leaf 100x50mm with 4 holes (4,5/M5)
under part: weld-on profile h=50mm with pin \varnothing 10mm
knuckle \varnothing 16mm, with ball bearing SS-304 \varnothing 17,5mm
(outside & inside SS-304/A2, balls SS-420 hardened)
pin & flat tip out of stainless steel 304/A2
(example: for wooden door on stainless steel frame)

h	x	c	x	t	pin	stand	boxes
104	x	50	x	3	10mm	DIN LH	10 Pcs
104	x	50	x	3	10mm	DIN RH	10 Pcs

DIN RH

attention for the right stand

347291
347292

lift-off weld-on hinges with pin \varnothing 10mm
stainless steel 304/A2/1.4301
with swaged leaf 100x50x3mm without holes
under part: weld-on profile h=50mm with pin \varnothing 10mm
knuckle \varnothing 16mm, washer stainless steel 304/A2
pin & flat tip out of stainless steel 304/A2

h	x	c	x	t	pin	stand	boxes
101	x	50	x	3	10mm	DIN LH	10 Pcs
101	x	50	x	3	10mm	DIN RH	10 Pcs

DIN RH

attention for the right stand

347279
347280

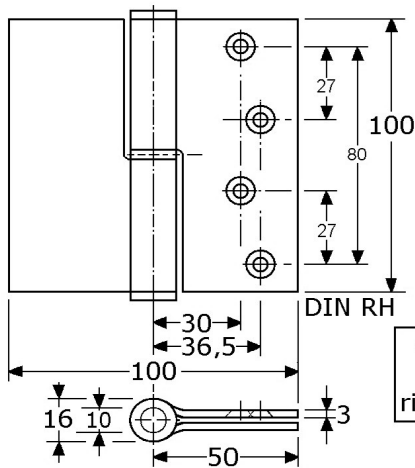
lift-off hinges with pin \varnothing 7mm
stainless steel 304/A2/1.4301
with swaged leaf 75x37,5x2,5mm with 3 holes (5mm)
under part: weld-on profile h=40mm with pin \varnothing 7mm
knuckle \varnothing 13mm, washer stainless steel 304/A2
pin & flat tip out of stainless steel 304/A2
(example: for wooden door on stainless steel frame)

h	x	c	x	t	pin	stand	boxes
75	x	37,5	x	2,5	7mm	DIN LH	10 Pcs
75	x	37,5	x	2,5	7mm	DIN RH	10 Pcs



PIMEX B.V.
Coenecoop 131
2741 PJ WADDINXVEEN (NL)
Tel. (31) 182 - 61 11 66
Email: info@pimex.nl

SPECIAL LIFT-OFF HINGES, stainless steel

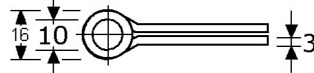
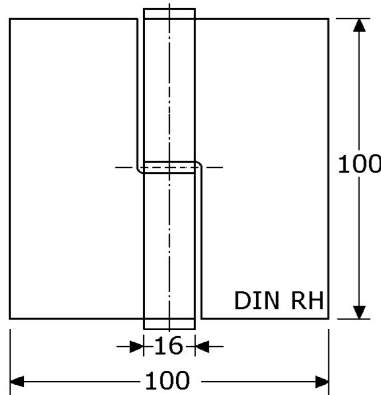


rolled lift-off hinges with pin $\varnothing 10\text{mm}$
 stainless steel 304/A2/1.4301 satin polished
 both leaves swaged for mortise application
 with 1 leaf with 4 countersunk holes (4,5/M5)
 knuckle $\varnothing 16\text{mm}$, washer stainless steel 304/A2
 pin & flat tips out of stainless steel 304/A2
 (example: for wooden door on stainless steel frame)

h	x	w	x	t	pin	stand	boxes
100	x	100	x	3	10mm	DIN LH	10 Pcs
100	x	100	x	3	10mm	DIN RH	10 Pcs

attention
for the
right stand

347283
347284

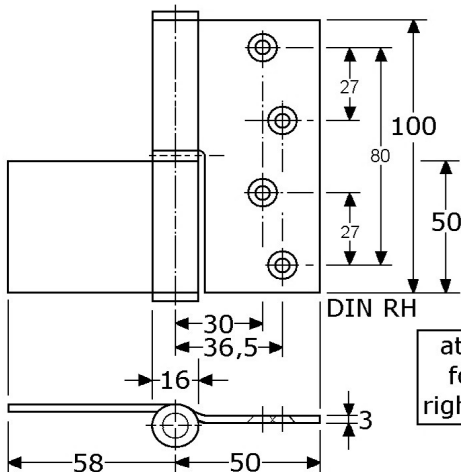


rolled lift-off hinges with pin $\varnothing 10\text{mm}$, no holes
 stainless steel 304/A2/1.4301 satin polished
 both leaves swaged for mortise application
 knuckle $\varnothing 16\text{mm}$, washer stainless steel 304/A2
 pin & flat tips out of stainless steel 304/A2

h	x	w	x	t	pin	stand	boxes
100	x	100	x	3	10mm	DIN LH	10 Pcs
100	x	100	x	3	10mm	DIN RH	10 Pcs

attention
for the
right stand

343231
343232

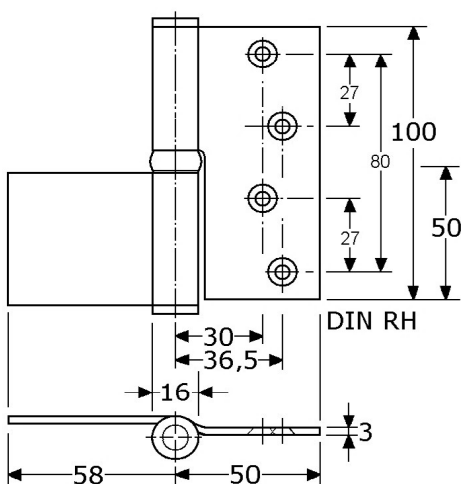


rolled lift-off hinges with pin $\varnothing 10\text{mm}$
 stainless steel 304/A2/1.4301 satin polished
 with swaged leaf 100x50mm with 4 holes (4,5/M5)
 with flat leaf 50x58x3mm without holes
 knuckle $\varnothing 16\text{mm}$, washer stainless steel 304/A2
 pin & flat tips out of stainless steel 304/A2
 (example: for wooden door on stainless steel frame)

h	x	w	x	t	pin	stand	boxes
100	x	108	x	3	10mm	DIN LH	10 Pcs
100	x	108	x	3	10mm	DIN RH	10 Pcs

attention
for the
right stand

347289
347290



rolled lift-off hinges with pin $\varnothing 10\text{mm}$
 stainless steel 304/A2/1.4301 satin polished
 with swaged leaf 100x50mm with 4 holes (4,5/M5)
 with flat leaf 50x58x3mm without holes
 knuckle $\varnothing 16\text{mm}$, with ball bearing SS-304 $\varnothing 17,5\text{mm}$
 (outside & inside SS-304/A2, balls SS-420 hardened)
 pin & flat tips out of stainless steel 304/A2
 (example: for wooden door on stainless steel frame)

h	x	w	x	t	pin	stand	boxes
103	x	108	x	3	10mm	DIN LH	10 Pcs
103	x	108	x	3	10mm	DIN RH	10 Pcs

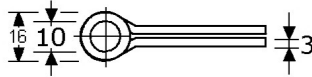
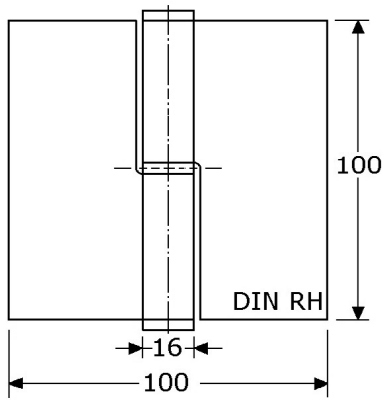
attention
for the
right stand

347489
347490



PIMEX B.V.
 Coenecoop 131
 2741 PJ WADDINXVEEN (NL)
 Tel. (31) 182 - 61 11 66
 Email: info@pimex.nl

SPECIAL LIFT-OFF HINGES, stainless steel

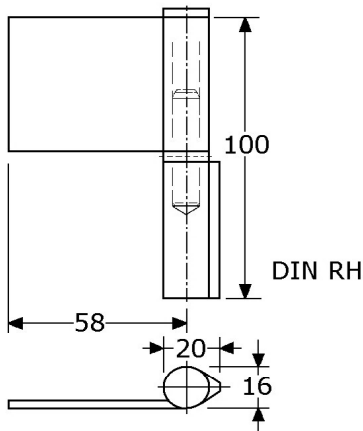


attention
for the
right stand

343231
343232

rolled lift-off hinges with pin $\varnothing 10\text{mm}$, no holes
stainless steel 304/A2/1.4301 satin polished
both leaves swaged for mortise application
knuckle $\varnothing 16\text{mm}$, washer stainless steel 304/A2
pin & flat tips out of stainless steel 304/A2

h	x	w	x	t	pin	stand	boxes
100	x	100	x	3	10mm	DIN LH	10 Pcs
100	x	100	x	3	10mm	DIN RH	10 Pcs

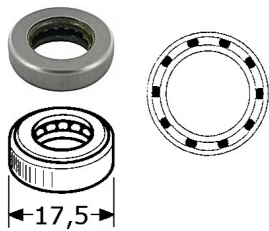
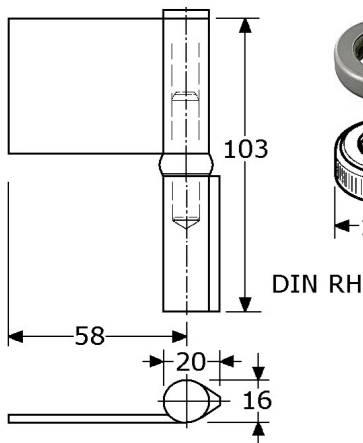


attention
for the
right stand

347285
347286

lift-off weld-on hinges with pin $\varnothing 10\text{mm}$
stainless steel 304/A2/1.4301
upper part: flat leaf 50x58x3mm without holes
under part: weld-on profile h=50mm with pin $\varnothing 10\text{mm}$
knuckle $\varnothing 16\text{mm}$, washer stainless steel 304/A2
pin & flat tip out of stainless steel 304/A2

h	x	c	x	t	pin	stand	boxes
100	x	58	x	3	10mm	DIN LH	10 Pcs
100	x	58	x	3	10mm	DIN RH	10 Pcs

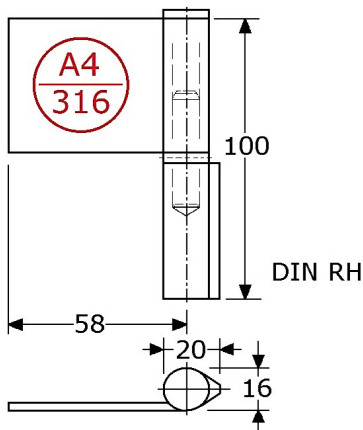


attention
for the
right stand

347485
347486

lift-off weld-on hinges with pin $\varnothing 10\text{mm}$
stainless steel 304/A2/1.4301
upper part: flat leaf 50x58x3mm without holes
under part: weld-on profile h=50mm with pin $\varnothing 10\text{mm}$
knuckle $\varnothing 16\text{mm}$, with ball bearing SS-304 $\varnothing 17,5\text{mm}$
(outside & inside SS-304/A2, balls SS-420 hardened)
pin & flat tip out of stainless steel 304/A2

h	x	c	x	t	pin	stand	boxes
103	x	58	x	3	10mm	DIN LH	10 Pcs
103	x	58	x	3	10mm	DIN RH	10 Pcs



attention
for the
right stand

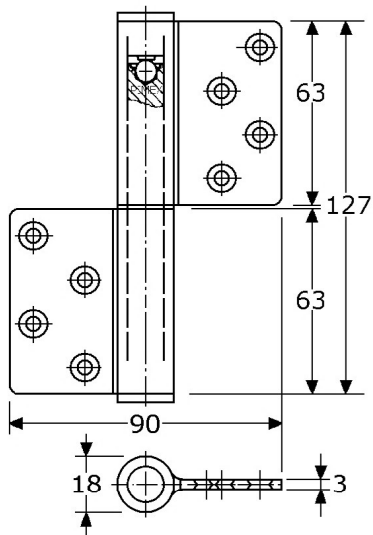
347287
347288

lift-off weld-on hinges with pin SS-316
stainless steel 316/A4/1.4401
upper part: flat leaf 50x58x3mm without holes
under part: weld-on profile h=50mm with pin $\varnothing 10\text{mm}$
knuckle $\varnothing 16\text{mm}$, washer stainless steel 316/A4
pin & flat tip out of stainless steel 316/A4

h	x	c	x	t	pin	stand	boxes
100	x	58	x	3	10mm	DIN LH	10 Pcs
100	x	58	x	3	10mm	DIN RH	10 Pcs



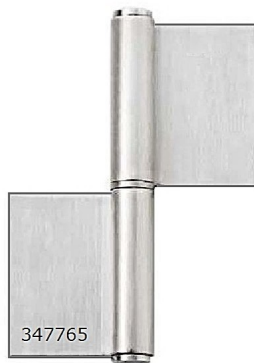
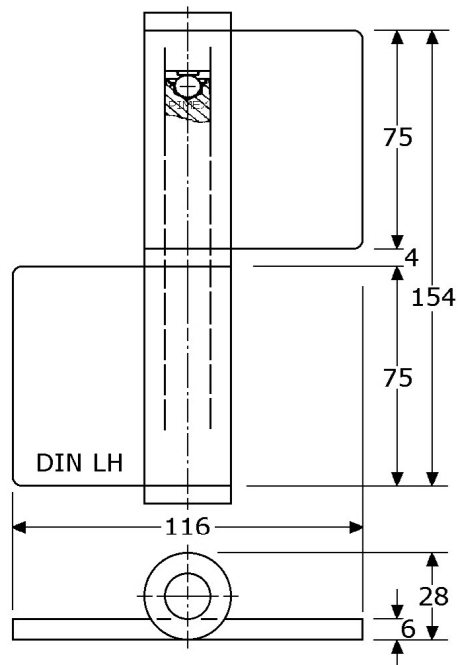
PIMEX B.V.
Coenecoop 131
2741 PJ WADDINXVEEN (NL)
Tel. (31) 182 - 61 11 66
Email: info@pimex.nl



339273

lift-off flag hinges, LH/RH
 stainless steel 304/A2 satin polished
 rolled centre type, small space required
 knuckle \varnothing 18mm, 2-knuckles of each h=63mm
 pin fixed in under part; upper part for lift off
 pin \varnothing 12mm out of stainless steel 304/A2
 top leaf rides on a ball bearing in the top of the pin
 with flat tips out of stainless steel 304/A2
 with stainless steel 304/A2 washer \varnothing 18x1mm
 maximum door weight 50 Kg (2 hinges)
 with 4+4 screwholes from both sides countersunk

h	x	w	x	t	pin	stand	boxes	
127	x	90	x	3	mm	12mm	LH/RH	10 Pcs

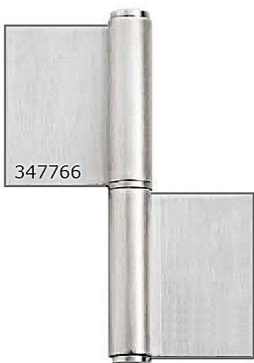
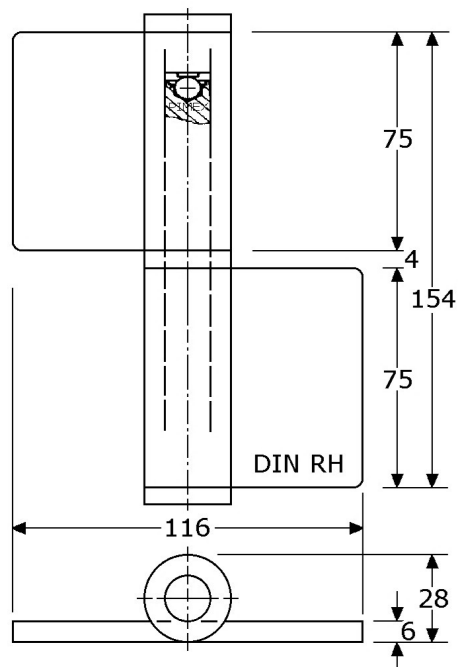


347765

attention
for the
right stand

lift-off flag hinges, DIN LH
 stainless steel 304/A2 satin polished
 flat rolled for surface mounting, for welding
 knuckle \varnothing 28mm, 2-knuckles of each h=75mm
 pin fixed in under part; upper part for lift off
 pin \varnothing 14mm out of stainless steel 304/A2
 top leaf rides on a ball bearing in the top of the pin
 with flat tips out of stainless steel 304/A2
 with stainless steel 304/A2 washer \varnothing 28x4mm
 maximum door weight 200 Kg (2 hinges)

h	x	w	x	t	pin	stand	boxes	
154	x	116	x	6	mm	14mm	DIN LH	2 Pcs



347766

attention
for the
right stand

lift-off flag hinges, DIN RH
 stainless steel 304/A2 satin polished
 flat rolled for surface mounting, for welding
 knuckle \varnothing 28mm, 2-knuckles of each h=75mm
 pin fixed in under part; upper part for lift off
 pin \varnothing 14mm out of stainless steel 304/A2
 top leaf rides on a ball bearing in the top of the pin
 with flat tips out of stainless steel 304/A2
 with stainless steel 304/A2 washer \varnothing 28x4mm
 maximum door weight 200 Kg (2 hinges)

h	x	w	x	t	pin	stand	boxes	
154	x	116	x	6	mm	14mm	DIN RH	2 Pcs



PIMEX B.V.
 Coenecoop 131
 2741 PJ WADDINXVEEN (NL)
 Tel. (31) 182 - 61 11 66
 Email: info@pimex.nl