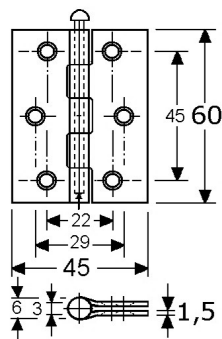


HINGES WITH LOOSE PIN, stainless steel

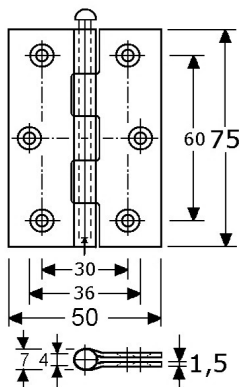


rolled hinges with loose stainless steel pin $\varnothing 3\text{mm}$
 stainless steel 304/A2/1.4301, 5-knuckles
 both leaves swaged for mortise application
 with 6 countersunk screwholes (3,5mm/M4)

h x w x t	pin	boxes
-----------	-----	-------

300231
 320212

60x45x1,5mm (2½"x1,75")	$\varnothing 3\text{mm}$	25 Pcs
like 300231, but with fixed pin (see page GY-320b)		

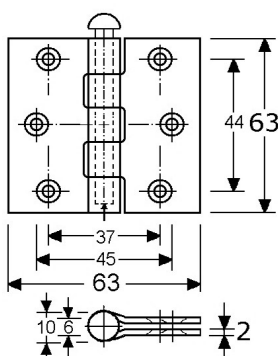


rolled hinges with loose stainless steel pin $\varnothing 4\text{mm}$
 stainless steel 304/A2/1.4301, 5-knuckles
 both leaves swaged for mortise application
 with 6 countersunk screwholes (3,5mm/M4)

h x w x t	pin	boxes
-----------	-----	-------

300232

75x50x1,5mm (3"x2")	$\varnothing 4\text{mm}$	25 Pcs
---------------------	--------------------------	--------

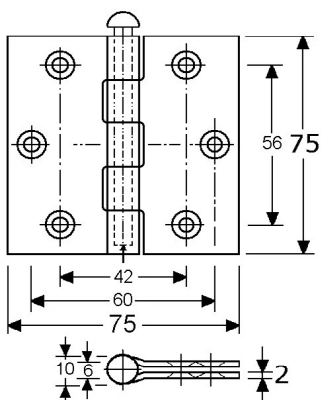


rolled hinges with loose stainless steel pin $\varnothing 6\text{mm}$
 stainless steel 304/A2/1.4301, 5-knuckles
 both leaves swaged for mortise application
 with 6 countersunk screwholes (4mm/M4)

h x w x t	pin	boxes
-----------	-----	-------

300204
 300234
 321224
 340204

63x63x2mm (2½"x2½")	$\varnothing 6\text{mm}$	25 Pcs
like 300204, but satin polished (delivery on request)		
like 300204, but with fixed pin (see page GY-320a)		
like 300204, but without holes (see page GY-340a)		

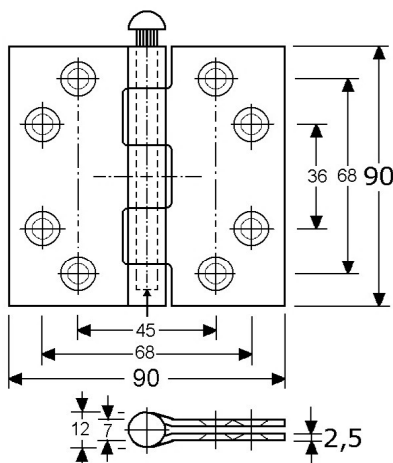


rolled hinges with loose stainless steel pin $\varnothing 6\text{mm}$
 stainless steel 304/A2/1.4301, 5-knuckles
 both leaves swaged for mortise application
 with 6 countersunk screwholes (4mm/M5)

h x w x t	pin	boxes
-----------	-----	-------

300205
 300235

75x75x2mm (3"x3")	$\varnothing 6\text{mm}$	25 Pcs
like 300205, but satin polished (minimum 100 Pcs)		



rolled hinges with loose milled edge SS-304 pin
 stainless steel 304/A2/1.4301, 5-knuckles
 both leaves swaged for mortise application
 with 8 countersunk screwholes (5mm/M5)

h x w x t	pin	boxes
-----------	-----	-------

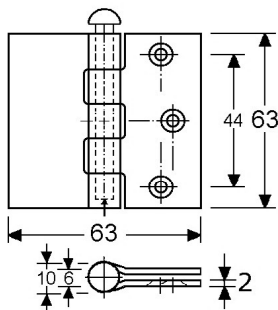
300216
 300217

90x90x2,5mm (3½"x3½")	$\varnothing 7\text{mm}$	10 Pcs
like 300216, but with 8 star-shaped holes		



PIMEX B.V.
 Coenecoop 131
 2741 PJ WADDINXVEEN (NL)
 Tel. (31) 182 - 61 11 66
 Email: info@pimex.nl

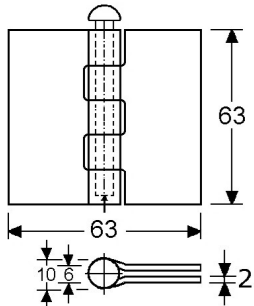
HINGES WITH LOOSE PIN, stainless steel



rolled hinges with loose stainless steel pin $\varnothing 6\text{mm}$
 stainless steel 304/A2/1.4301, 5-knuckles
 both leaves swaged for mortise application
 with 1 leaf with 3 countersunk holes (4mm/M4)
 (see also page GY-345a)

305204

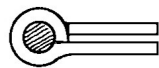
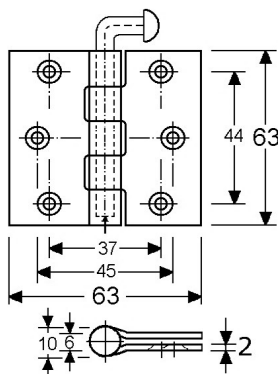
h x w x t	pin	boxes
63x63x2mm (2½"x2½")	$\varnothing 6\text{mm}$	25 Pcs



rolled hinges with loose stainless steel pin $\varnothing 6\text{mm}$
 stainless steel 304/A2/1.4301, 5-knuckles
 both leaves swaged for mortise application
 without holes

340204

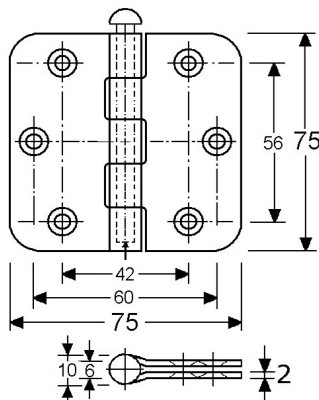
h x w x t	pin	boxes
63x63x2mm (2½"x2½")	$\varnothing 6\text{mm}$	25 Pcs



rolled hinges with loose stainless steel hook pin $\varnothing 6\text{mm}$
 stainless steel 304/A2/1.4301, 5-knuckles
 both leaves swaged for mortise application
 with 6 countersunk screwholes (4mm/M4)

301204

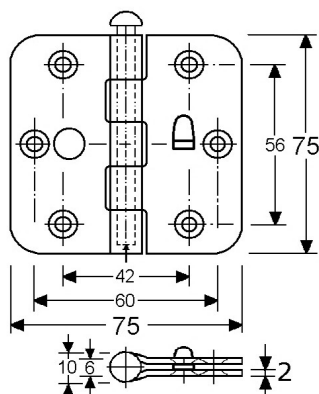
h x w x t	pin	boxes
63x63x2mm (2½"x2½")	$\varnothing 6\text{mm}$	25 Pcs



rolled hinges with loose stainless steel pin $\varnothing 6\text{mm}$
 stainless steel 304/A2/1.4301, 5-knuckles
 both leaves swaged for mortise application
 with 6 countersunk screwholes (4mm/M5)
 leaves with round corners (delivery on request)

300225

h x w x t	pin	boxes
75x75x2mm (3"x3")	$\varnothing 6\text{mm}$	500 Pcs



rolled hinges with loose stainless steel pin $\varnothing 6\text{mm}$
 stainless steel 304/A2/1.4301, 5-knuckles
 both leaves swaged for mortise application
 leaves with round corners
 with safety tongue for security
 with 6 countersunk screwholes (4mm/M5)

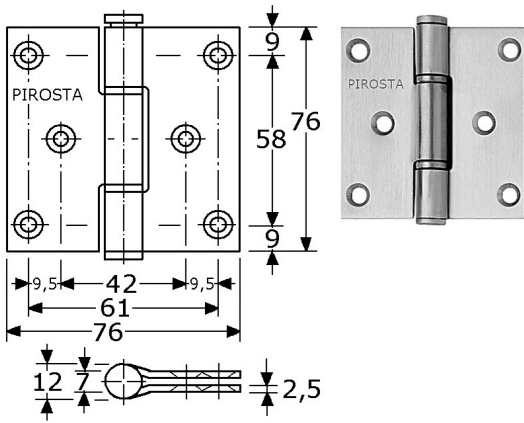
303225

h x w x t	pin	boxes
75x75x2mm (3"x3")	$\varnothing 6\text{mm}$	25 Pcs



PIMEX B.V.
 Coenecoop 131
 2741 PJ WADDINXVEEN (NL)
 Tel. (31) 182 - 61 11 66
 Email: info@pimex.nl

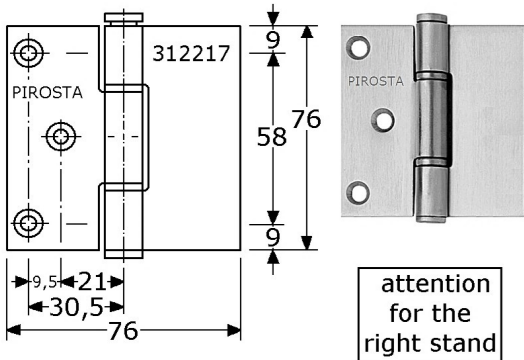
HINGES WITH LOOSE PIN, stainless steel



PIROSTA hinges with washers
 stainless steel 316/A4/1.4401 satin polished
 both leaves swaged rolled for mortise application
 with loose pin stainless steel 316/A4 \varnothing 7mm
 3-knuckles \varnothing 12mm, washers stainless steel 316/A4
 pin & flat tips out of stainless steel 316/A4
 with 6 countersunk screwholes (5mm/M5)

h	x	w	x	t	pin	boxes
76	x	76	x	2,5	7 mm	LH/RH 10 Pcs
like 312215, but without holes (see page GY-340a)						

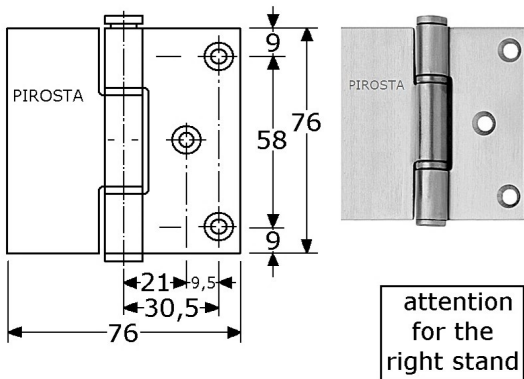
312215
 341219



PIROSTA hinges with washers, LH
 stainless steel 316/A4/1.4401 satin polished
 both leaves swaged rolled for mortise application
 with loose pin stainless steel 316/A4 \varnothing 7mm
 3-knuckles \varnothing 12mm, washers stainless steel 316/A4
 pin & flat tips out of stainless steel 316/A4
 open: right leaf without screwholes,
 left leaf with 3 countersunk holes (5mm/M5)

h	x	w	x	t	pin	boxes
76	x	76	x	2,5	7 mm	LH 10 Pcs

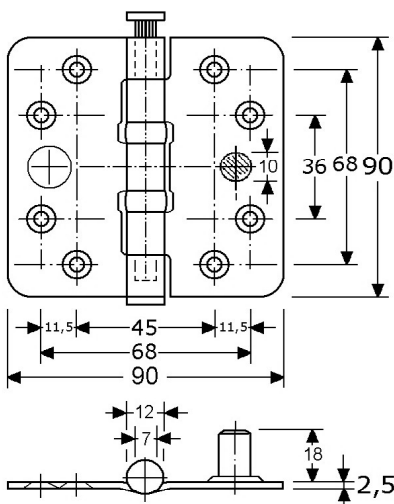
312217



PIROSTA hinges with washers, RH
 stainless steel 316/A4/1.4401 satin polished
 both leaves swaged rolled for mortise application
 with loose pin stainless steel 316/A4 \varnothing 7mm
 3-knuckles \varnothing 12mm, washers stainless steel 316/A4
 pin & flat tips out of stainless steel 316/A4
 open: left leaf without screwholes,
 right leaf with 3 countersunk holes (5mm/M5)

h	x	w	x	t	pin	boxes
76	x	76	x	2,5	7 mm	RH 10 Pcs

312218



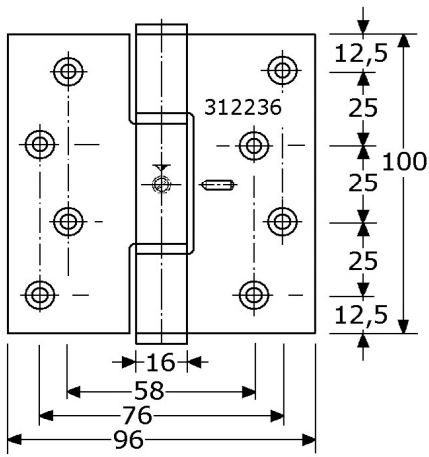
hinges with ball bearing
 stainless steel 304/A2/1.4301 satin polished
 both leaves swaged rolled for mortise application
 rolled hinges with loose milled edge SS pin \varnothing 7mm
 stainless steel ball bearing [balls hardened steel]
 5-knuckles \varnothing 12mm, rounded edges
 pin & flat tips out of stainless steel 304/A2
 with security stud \varnothing 10mm for high security
 with 8 countersunk screwholes (5mm/M5)

h	x	w	x	t	pin	boxes
90	x	90	x	2,5	7 mm	LH/RH 10 Pcs

314216



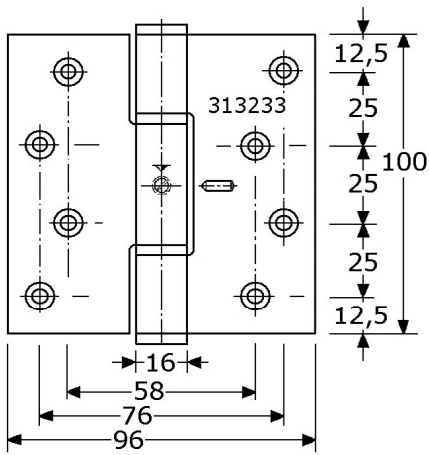
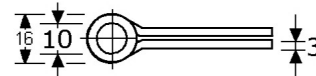
PIMEX B.V.
 Coenecoop 131
 2741 PJ WADDINXVEEN (NL)
 Tel. (31) 182 - 61 11 66
 Email: info@pimex.nl



312236

PIROSTA hinges with 2x washers
 stainless steel 316/A4/1.4401 satin polished
 both leaves swaged rolled for mortise application
 blocked stainless steel pin \varnothing 10mm by security screw
 (only demounting possible if the door is open)
 3-knuckles \varnothing 16mm, washers stainless steel 316/A4
 pin & flat tips out of stainless steel 316/A4
 with 8 countersunk screwholes (5mm/M5; N-E)

h	x	w	x	t	pin	boxes
100	x	96	x	3	10 mm LH/RH	10 Pcs

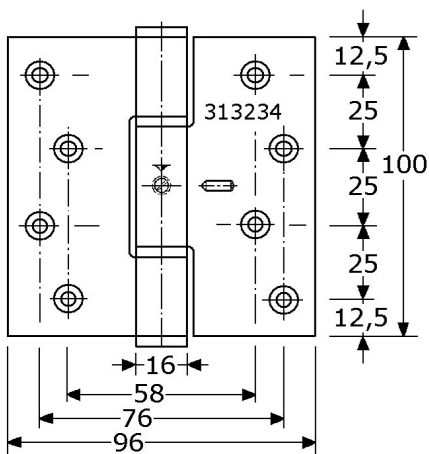
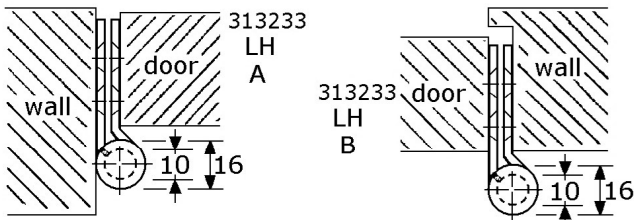


attention
for the
right stand

313233

PIROSTA hinges with 2x washers, LH
 stainless steel 316/A4/1.4401 satin polished
 1 leaf flat rolled, 1 leaf full swaged rolled:
 for mortise application or
 for inset and recessed doors (drawing A) or
 for bigger opening (B) application (for wheel chairs)
 blocked stainless steel pin \varnothing 10mm by security screw
 (only demounting possible if the door is open)
 3-knuckles \varnothing 16mm, washers stainless steel 316/A4
 pin & flat tips out of stainless steel 316/A4
 with 8 countersunk screwholes (5mm/M5; N-E)

h	x	w	x	t	pin	boxes
100	x	96	x	3	10 mm LH	10 Pcs

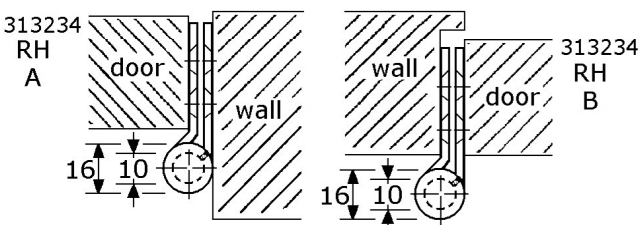


attention
for the
right stand

313234

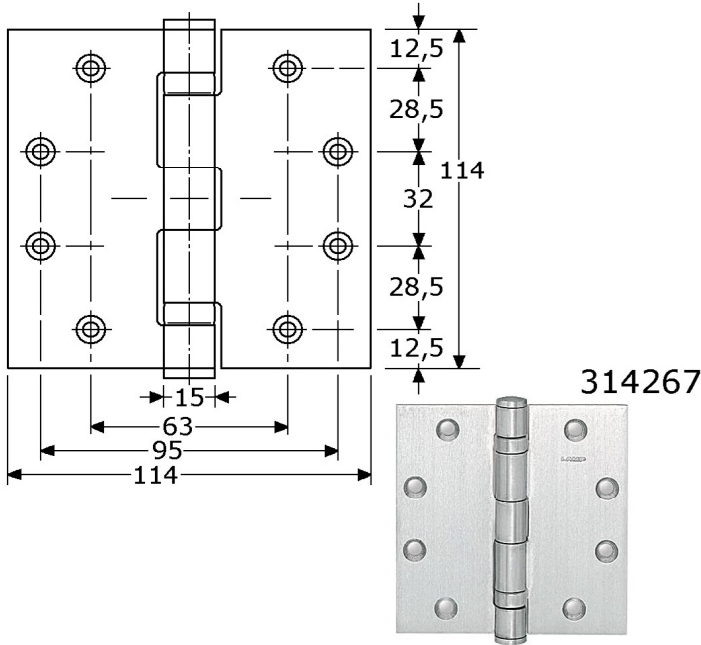
PIROSTA hinges with 2x washers, RH
 stainless steel 316/A4/1.4401 satin polished
 1 leaf flat rolled, 1 leaf full swaged rolled:
 for mortise application or
 for inset and recessed doors (drawing A) or
 for bigger opening (B) application (for wheel chairs)
 blocked stainless steel pin \varnothing 10mm by security screw
 (only demounting possible if the door is open)
 3-knuckles \varnothing 16mm, washers stainless steel 316/A4
 pin & flat tips out of stainless steel 316/A4
 with 8 countersunk screwholes (5mm/M5; N-W)

h	x	w	x	t	pin	boxes
100	x	96	x	3	10 mm RH	10 Pcs



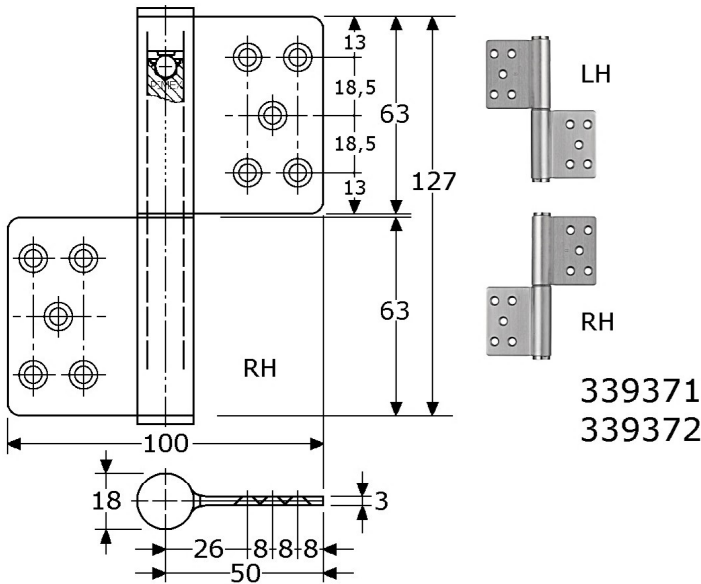
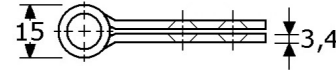
PIMEX B.V.
 Coenecoop 131
 2741 PJ WADDINXVEEN (NL)
 Tel. (31) 182 - 61 11 66
 Email: info@pimex.nl

HINGES WITH BEARING, stainless steel



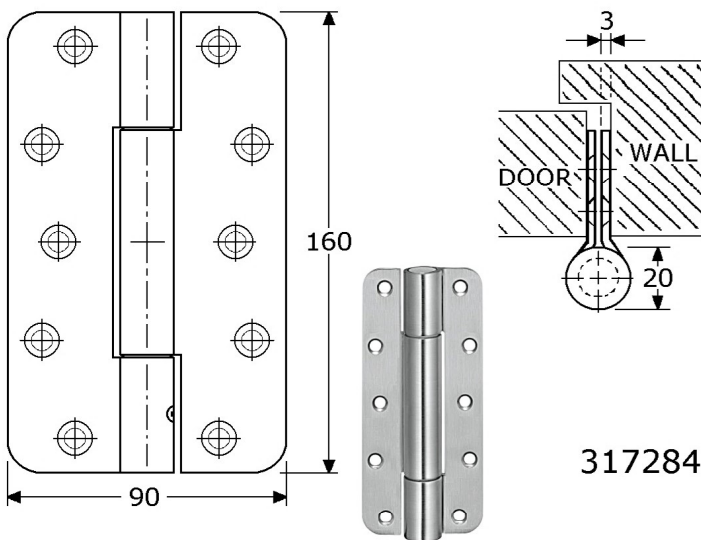
hinges with ball bearing
 stainless steel 304/A2/1.4301 satin polished
 both leaves swaged for mortise application
 rolled hinges with stainless steel pin
 with stainless steel ball bearing [balls hardened steel]
 5-knuckles \varnothing 15mm, straight edges
 pin & flat tips out of stainless steel 304/A2
 maximum loading 45 Kg for 2 hinges
 with 8 countersunk screwholes (5mm/M5)

h	x	w	x	t	boxes
114	x	114	x	3,4	LH/RH 10 Pcs



lift-off flag hinges with pin \varnothing 12mm
 stainless steel 304/A2 satin polished
 rolled centre type, knuckle \varnothing 18mm
 pin & flat tips out of stainless steel 304/A2
 top leaf rides on a ball bearing in the top of the pin
 with stainless steel 304/A2 washer \varnothing 18x1mm
 with 10 countersunk screwholes
 maximum door weight 60 Kg (2 hinges)

h	x	w	x	t	pin	stand	boxes
127	x	100	x	3	12mm	LH	10 Pcs
127	x	100	x	3	12mm	RH	10 Pcs



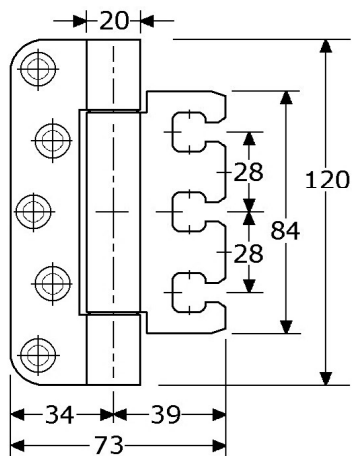
hinges with ball bearing
 stainless steel 304/A2/1.4301 satin polished
 both leaves swaged for mortise application
 with integral self-lubricating bushes
 with inside free sliding stainless steel ball bearings
 blocked stainless steel pin \varnothing 10mm by security screw
 (only demounting possible if the door is open)
 3-knuckles \varnothing 20mm, without tips
 rolled hinges, rounded edges
 maximum loading 200 Kg for 2 hinges
 (2 hinge: maximum door 2000x1000x40mm)
 (+1 more hinge be fitted high up: loading +25%)
 with 10 countersunk screwholes (5mm/M5)

h	x	w	x	t	pin	boxes
160	x	90	x	3	10 mm	LH/RH 10 Pcs

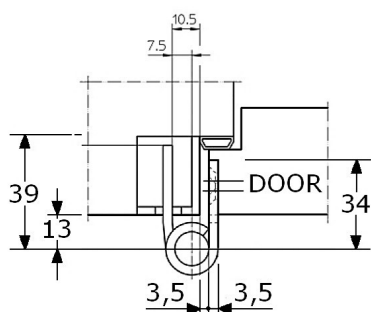


PIMEX B.V.
 Coenecoop 131
 2741 PJ WADDINXVEEN (NL)
 Tel. (31) 182 - 61 11 66
 Email: info@pimex.nl

HINGES WITH BEARING, stainless steel



hinges with ball bearing
 stainless steel 304/A2/1.4301 satin polished
 both leaves flat, 1 leaf highness 84mm
 for stainless steel frame construction 318205
 with integral self-lubricating bushes
 with inside free sliding stainless steel ball bearings
 blocked stainless steel pin \varnothing 10mm by security screw
 (only demounting possible if the door is open)
 3-knuckles \varnothing 20mm, without tips
 rolled hinges, with 2 round edges
 maximum loading 100 Kg for 2 hinges
 (+1 more hinge be fitted high up: loading +30%)
 with 1x5 countersunk screwholes (5mm/M5)
 (delivery on request; only in boxes of 10 Pcs.)

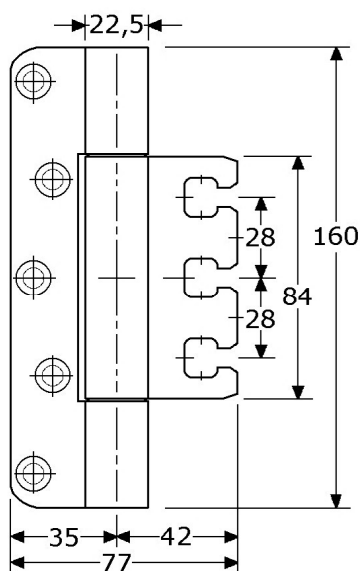


318262

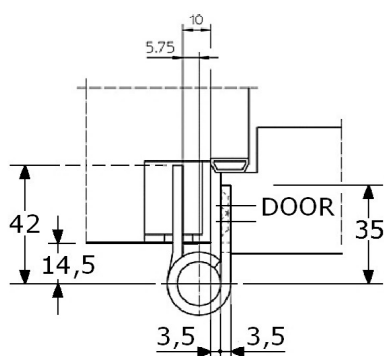
h	x	w	x	t	pin	boxes
120	x	73	x	3,5	10mm	LH/RH 10 Pcs

318205

frame construction 190x32mm, 3-dim. adjustable
 stainless steel 304/A2/1.4301 satin polished
 for stainless steel hinges with leaf 84mm
 and with 3x opening
 (delivery on request; only in boxes of 10 Pcs.)



hinges with ball bearing
 stainless steel 304/A2/1.4301 satin polished
 both leaves flat, 1 leaf highness 84mm
 for stainless steel frame construction 318205
 with integral self-lubricating bushes
 with inside free sliding stainless steel ball bearings
 blocked stainless steel pin \varnothing 10mm by security screw
 (only demounting possible if the door is open)
 3-knuckles \varnothing 22,5mm, without tips
 rolled hinges, with 2 round edges
 maximum loading 120 Kg for 2 hinges
 (+1 more hinge be fitted high up: loading +30%)
 with 1x5 countersunk screwholes (5mm/M5)
 (delivery on request; only in boxes of 10 Pcs.)



318282

h	x	w	x	t	pin	boxes
160	x	77	x	3,5	10mm	LH/RH 10 Pcs

318205

frame construction 190x32mm, 3-dim. adjustable
 stainless steel 304/A2/1.4301 satin polished
 for stainless steel hinges with leaf 84mm
 and with 3x opening
 (delivery on request; only in boxes of 10 Pcs.)



PIMEX B.V.
 Coenecoop 131
 2741 PJ WADDINXVEEN (NL)
 Tel. (31) 182 - 61 11 66
 Email: info@pimex.nl