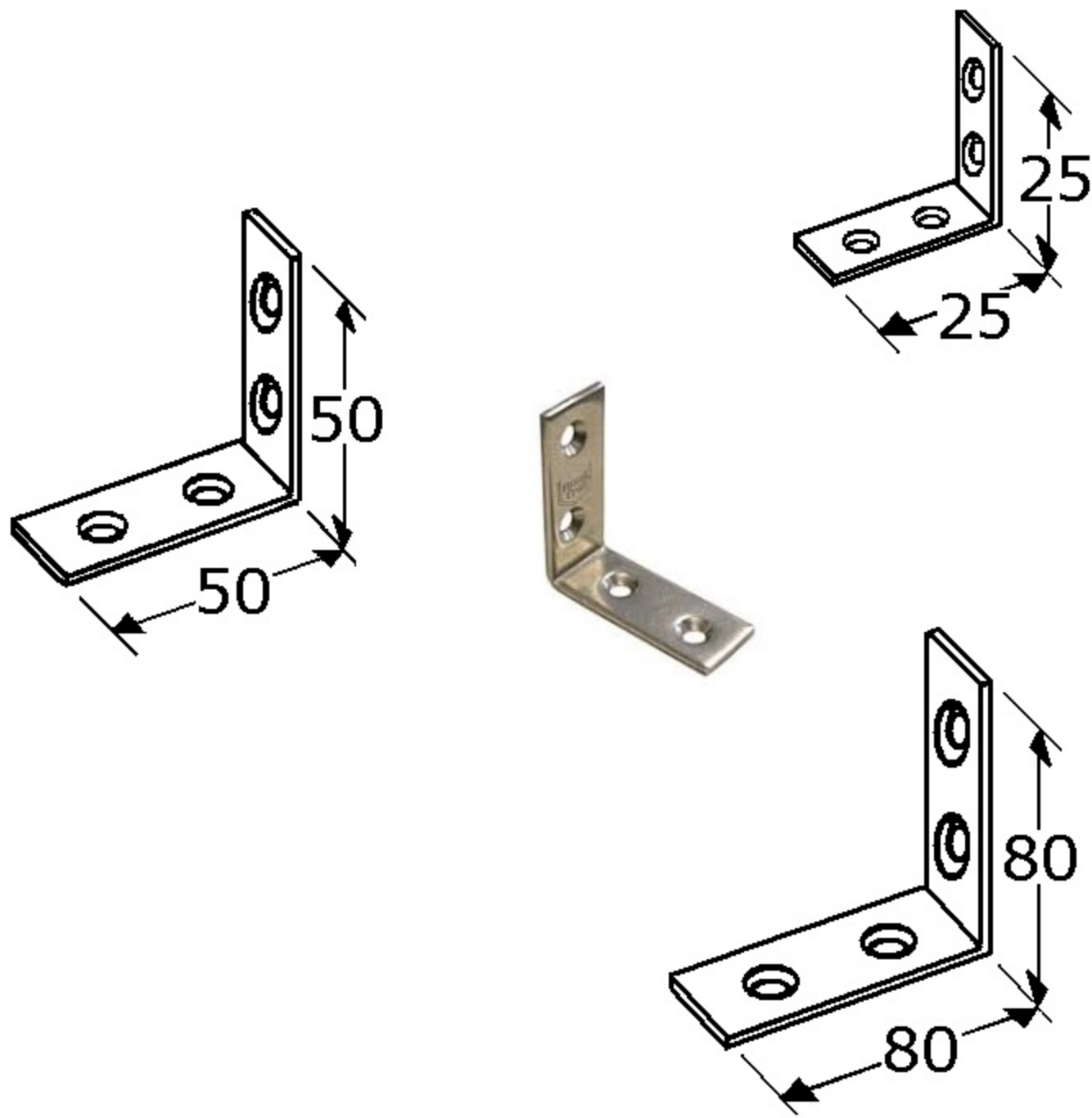


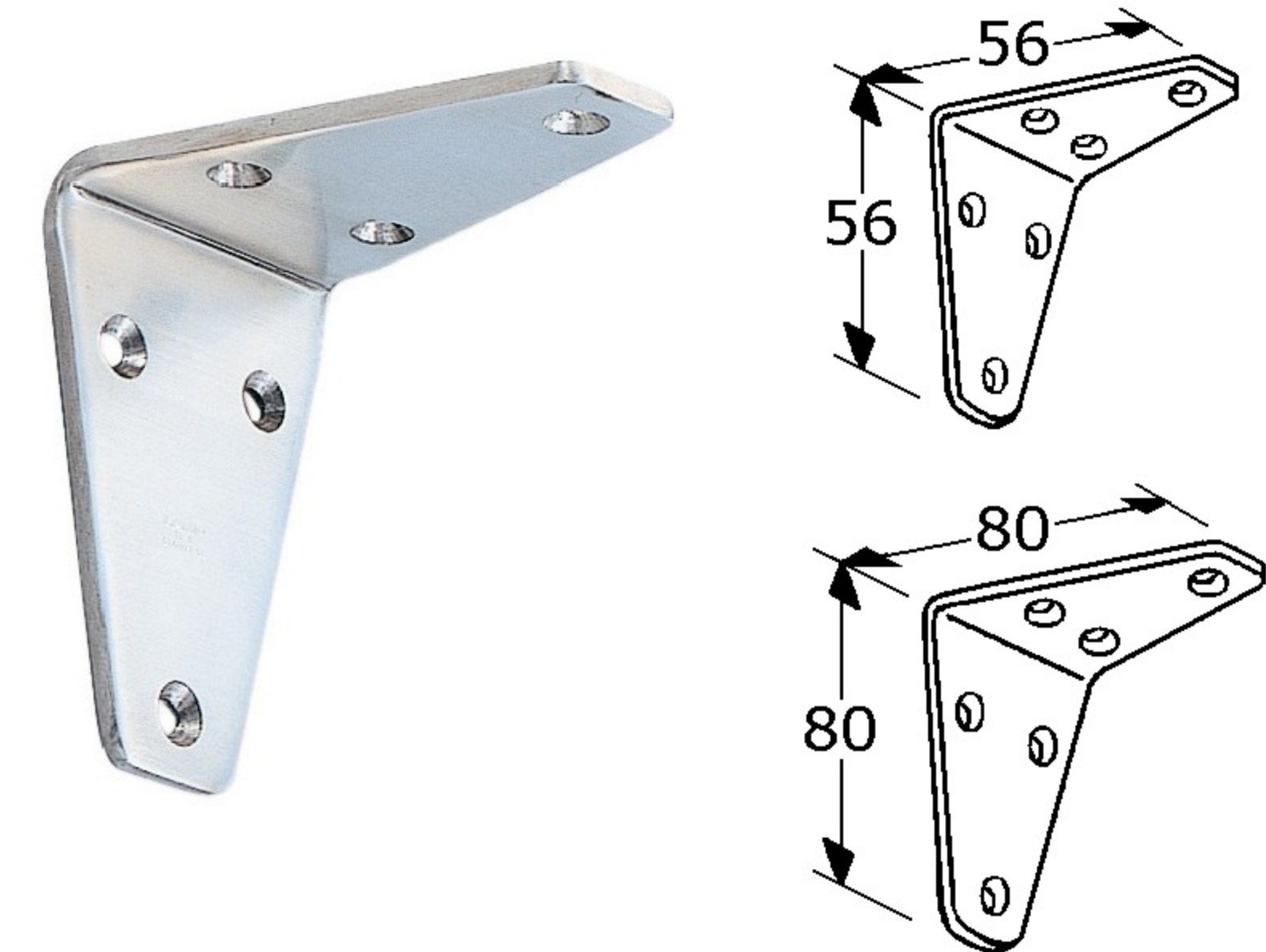
ANGLES - BRACKETS, stainless steel



287222 angles/brackets 25x25x15x2mm stainless steel 304/A2 unpolished with 2+2 countersunk screwholes (3/3,5mm) in boxes of 50 Pcs.

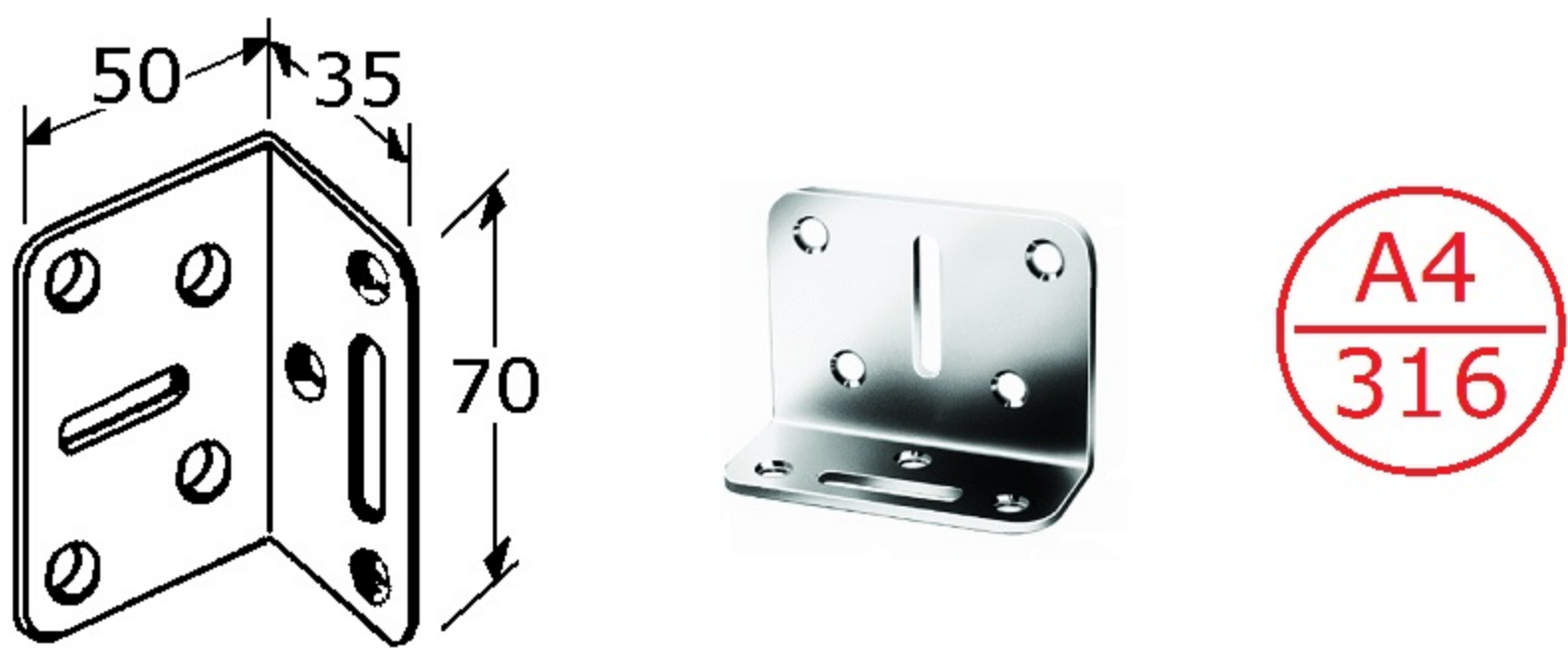
287225 angles/brackets 50x50x15x2mm stainless steel 304/A2 unpolished with 2+2 countersunk screwholes (3,5mm) in boxes of 50 Pcs.

287228 angles/brackets 80x80x19x2mm stainless steel 304/A2 unpolished with 2+2 countersunk screwholes (3,5/4mm) in boxes of 50 Pcs.

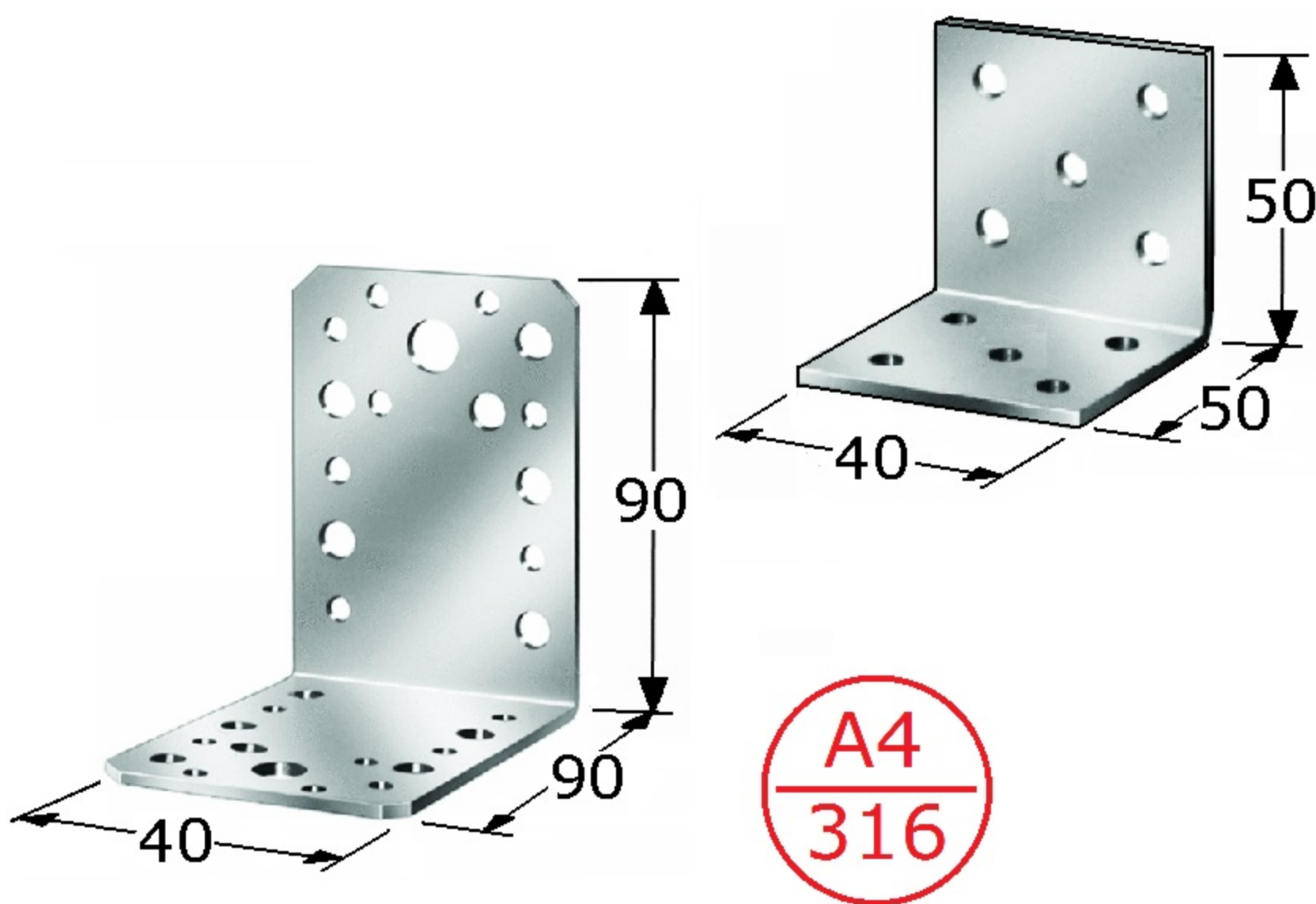


287245 angles/brackets 56x56x35x4mm stainless steel 304/A2 mirror polished tapped, nice finish, 1th quality with 3+3 countersunk screwholes (3,5/4mm) in boxes of 10 Pcs.

287247 angles/brackets 80x80x50x4mm stainless steel 304/A2 mirror polished tapped, nice finish, 1th quality with 3+3 countersunk screwholes (3,5/4mm) in boxes of 10 Pcs. (delivery on request)

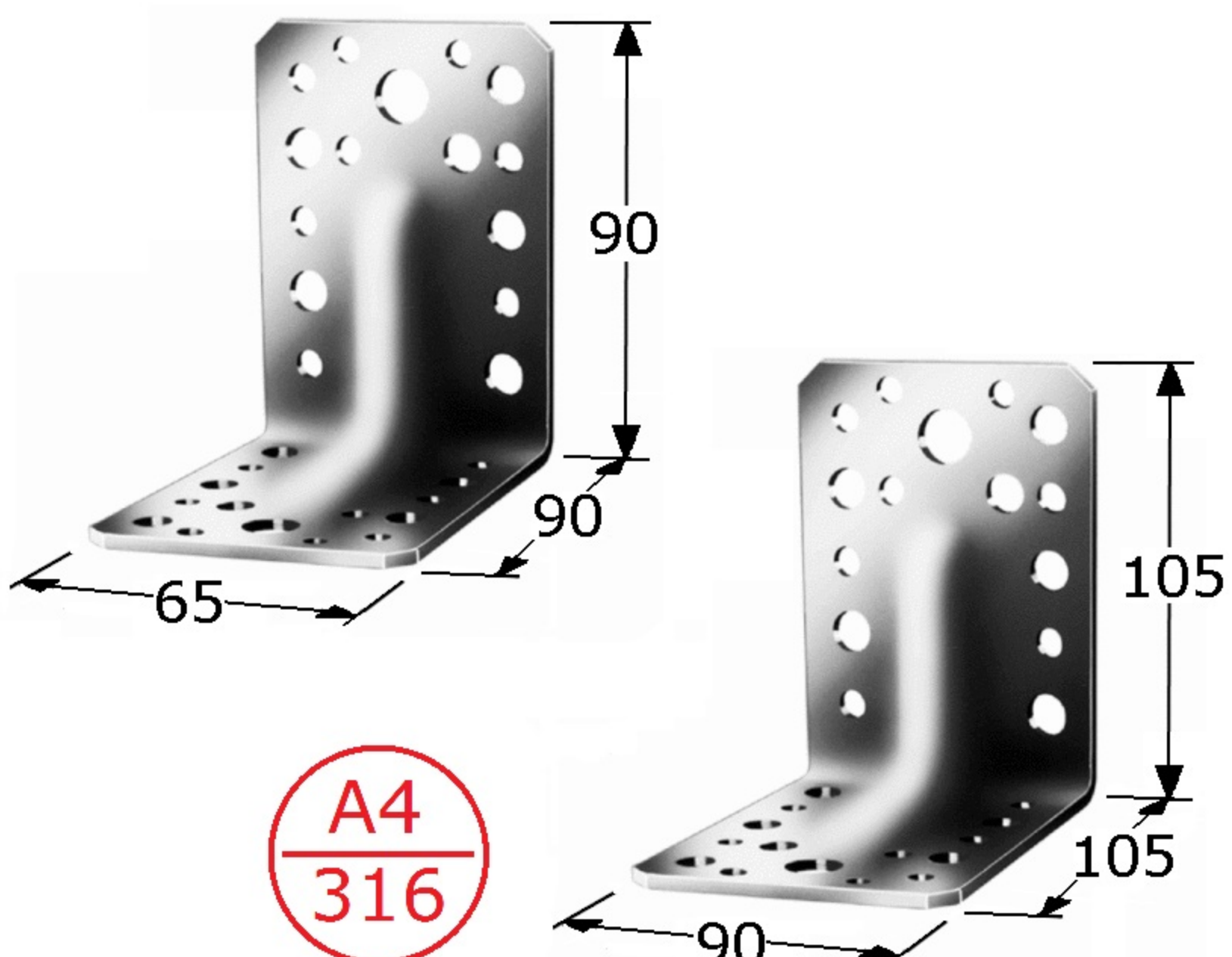


288297 angles/brackets 50x35x70x2mm stainless steel 316/A4 unpolished universal, with 4+3 countersunk screwholes and 2 longholes: 2-dim. adjustable in boxes of 25 Pcs.



288227 angles/brackets 50x50x40x4mm stainless steel 316/A4 unpolished with 5+5 round screwholes \varnothing 5mm in boxes of 50 Pcs.

288240 angles/brackets 90x90x40x2mm stainless steel 316/A4 unpolished universal, with small & big holes in boxes of 20 Pcs.



288249 angles/brackets 90x90x65x2mm stainless steel 316/A4 unpolished, strengthen universal, with small & big holes in boxes of 10 Pcs.

288259 angles/brackets 105x105x90x3mm stainless steel 316/A4 unpolished, strengthen universal, with small & big holes in boxes of 25 Pcs. (delivery on request)



PIMEX B.V.
Coenecoop 131
2741 PJ WADDINXVEEN (NL)
Tel. (31) 182 - 61 11 66
Email: info@pimex.nl