

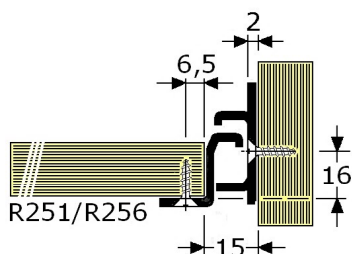
single extension drawer slide (2-parts)
 stainless steel 1.4509/A2 (new @)
 single extension 75%
 space required 15mm, for bottom mounting

 with (p/Pr) 4 white DELRIN rollers ø22mm (type R251) or
 with white DELRIN encased ball bearing rollers ø22mm (R256);
 the slide can be used for -45°C. till +80°C.

 slides captive on the right side,
 with compensation of tolerance on the left side

 cabinet profile and drawer profile with screwholes (for 4mm)
 for example: cabinet profile 500mm has 6 screwholes;
 for easily disconnecting every day
 by lifting-up the front of the opened drawer

 non-return groove in the front of the cabinet profile
 for keeping the drawer in closed position

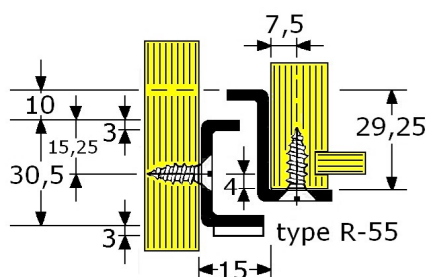


type	length	extension	width	load capacity	per
912513	R251@ 400mm	294mm	15mm	50 Kg/Pr 1.4509	10 Pr
912514	R251@ 450mm	344mm	15mm	50 Kg/Pr 1.4509	10 Pr
912515	R251@ 500mm	394mm	15mm	50 Kg/Pr 1.4509	10 Pr
912516	R251@ 550mm	424mm	15mm	50 Kg/Pr 1.4509	10 Pr
912517	R251@ 600mm	474mm	15mm	50 Kg/Pr 1.4509	10 Pr
912518	R251@ 650mm	524mm	15mm	45 Kg/Pr 1.4509	10 Pr
912519	R251@ 700mm	574mm	15mm	45 Kg/Pr 1.4509	10 Pr
912521	R251@ 750mm	624mm	15mm	45 Kg/Pr 1.4509	10 Pr
912554	R256@ 450mm	344mm	15mm	40 Kg/Pr 1.4509	6 Pr

easy mounting: all 15mm
 single for 50 Kg (9125..)
 single for 100 kg (9150..)
 full extension for 50 Kg (9261..)

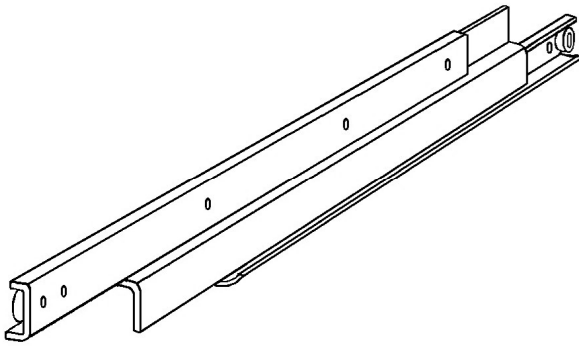


single extension drawer slide (2-parts)
 stainless steel 1.4509/A2 (new @)
 single extension 75%, heavy duty
 space required 15mm, for bottom mounting
 with stainless steel ball bearing rollers (2x ø24mm, 2x ø28mm)
 cabinet profile and drawer profile with screwholes 4,5mm;
 for easily disconnecting every day
 by lifting-up the front of the opened drawer;
 stainless steel endstop; slide can be used for -25°C. till +80°C.



type	length	extension	width	load capacity	per
915053	R-55@ 400mm	294mm	15mm	100 Kg/Pr 1.4509	5 Pr
915054	R-55@ 450mm	344mm	15mm	100 Kg/Pr 1.4509	5 Pr
915055	R-55@ 500mm	394mm	15mm	100 Kg/Pr 1.4509	5 Pr
915056	R-55@ 550mm	444mm	15mm	100 Kg/Pr 1.4509	5 Pr
915057	R-55@ 600mm	494mm	15mm	100 Kg/Pr 1.4509	5 Pr
915058	R-55@ 650mm	544mm	15mm	90 Kg/Pr 1.4509	5 Pr
915059	R-55@ 700mm	584mm	15mm	90 Kg/Pr 1.4509	5 Pr
915061	R-55@ 750mm	634mm	15mm	90 Kg/Pr 1.4509	5 Pr

TELESCOPIC SLIDES, stainless steel



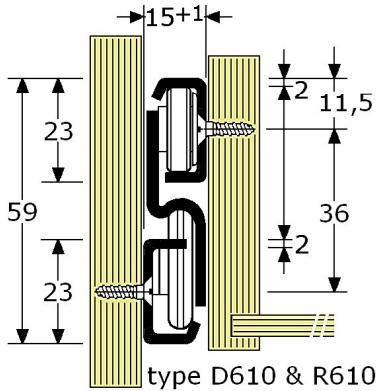
full extension drawer slide (3-parts)
 stainless steel 1.4509/A2 (new stainless steel @)
 full extension +45mm (for 30cm: +20cm), progressive action
 space required 15mm, highness 59mm, side mounting

with (p/Pr) 8 white DELRIN rollers $\varnothing 18,8\text{mm}$ (2 are rounded)
 maximum loading 50 Kg/pair (only for normal vertical use)
 the slide can be used for -25°C . till $+80^{\circ}\text{C}$.

drawer profile without hook for side mounting
 with screw holes (for 4mm), but can also be easy welded

double-sided (left & right) captive profiles, with soft stop
 protection between unintended disconnecting by fixed
 black nylon locking device, but drawer can easy be demounted
 if you pull out the drawer full, the drawer will blocked in
 the locking devices: then lift up the front of the drawer $\pm 20\text{mm}$
 and the drawer can be taken out completely

cabinet profile with screwholes (for 4mm)
 for fixing by screws (4mm) or for welding



type D610 & R610

easy mounting: all 15mm
 single for 50 Kg (9125..)
 single for 100 kg (9150..)
 full extension for 50 Kg (9261..)

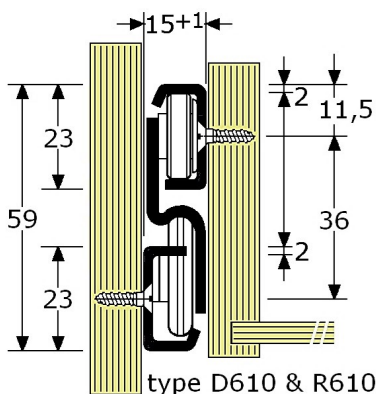
- 926101
- 926102
- 926103
- 926104
- 926105
- 926106
- 926107
- 926108
- 926109

type	length	extension	width	load capacity	per
D610@	300mm	320mm	15mm	50 Kg/Pr 1.4509	6 Pr
D610@	350mm	395mm	15mm	50 Kg/Pr 1.4509	6 Pr
D610@	400mm	445mm	15mm	50 Kg/Pr 1.4509	6 Pr
D610@	450mm	495mm	15mm	50 Kg/Pr 1.4509	6 Pr
D610@	500mm	545mm	15mm	50 Kg/Pr 1.4509	6 Pr
D610@	550mm	595mm	15mm	50 Kg/Pr 1.4509	6 Pr
D610@	600mm	645mm	15mm	50 Kg/Pr 1.4509	6 Pr
D610@	650mm	695mm	15mm	50 Kg/Pr 1.4509	6 Pr
D610@	700mm	745mm	15mm	50 Kg/Pr 1.4509	6 Pr



full extension drawer slide (3-parts)
 stainless steel 1.4509/A2 (new stainless steel @)
 full extension +45mm, progressive action
 space required 15mm, highness 59mm, side mounting

with (p/Pr) 8 stainless steel rollers with ball bearing (2 rounded)
 maximum loading 50 Kg/pair (only for normal vertical use)
 double-sided (left & right) captive profiles, with soft stop
 protection between unintended disconnecting by fixed
 black nylon locking device, but drawer can easy be demounted



type D610 & R610

- 926124
- 926131

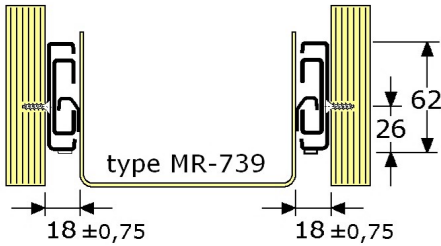
type	length	extension	width	load capacity	per
R610@	450mm	495mm	15mm	50 Kg/Pr 1.4509	1 Pr
R610@	750mm	795mm	15mm	45 Kg/Pr 1.4509	6 Pr



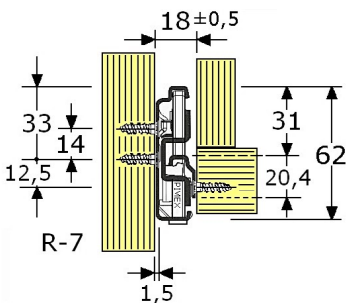
PIMEX B.V.
 Coenecoop 131
 2741 PJ WADDINXVEEN (NL)
 Tel. (31) 182 - 61 11 66
 Email: info@pimex.nl



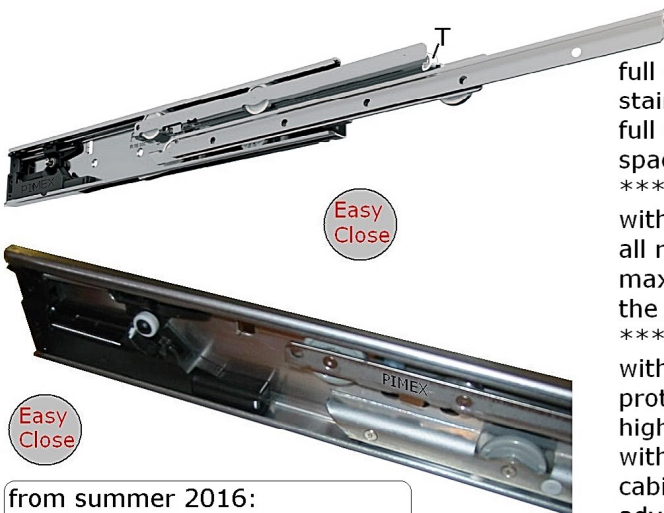
full extension drawer slide (3-parts)
 stainless steel 1.4509/A2 (new stainless steel @)
 full extension -/-15mm, progressive action
 space required 18mm, highness 62mm, side mounting



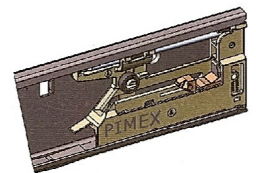
with (p/Pr) 10 white DELRIN rollers ø26mm
 all rollers placed on middle profile for easy welding;
 maximum loading 70 Kg/pair (only for normal vertical use)
 the slide can be used for -25°C. till +80°C.
 protection between unintended disconnecting with switch (T)
 high lateral stability through specially formed profiles & rollers
 with nylon parts between the profiles prevent metallic noise
 cabinet profile and drawer profile with screwholes 3,5/4mm
 (for MR-739: drawer profile for welding without holes)
 advice: drawer no wider than the depth



type	length	extension	width	load capacity	per	
927222	R-7@	365mm	335mm	18mm	70 Kg/Pr 1.4509	5 Pr
927223	R-7@	415mm	385mm	18mm	70 Kg/Pr 1.4509	5 Pr
927224	R-7@	465mm	435mm	18mm	70 Kg/Pr 1.4509	5 Pr
927225	R-7@	515mm	485mm	18mm	70 Kg/Pr 1.4509	5 Pr
927226	R-7@	565mm	535mm	18mm	70 Kg/Pr 1.4509	5 Pr
927227	R-7@	615mm	585mm	18mm	70 Kg/Pr 1.4509	5 Pr
927228	R-7@	665mm	635mm	18mm	70 Kg/Pr 1.4509	5 Pr
927229	R-7@	715mm	685mm	18mm	63 Kg/Pr 1.4509	5 Pr
927391	MR-739	750mm	735mm	18mm	63 Kg/Pr 1.4301	1 Pr



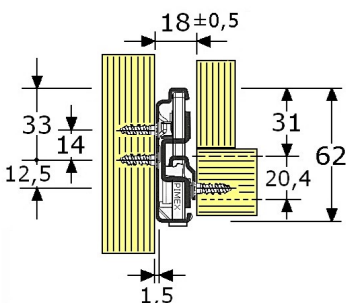
from summer 2016:
 we have also new EasyClose
 927250 black+blue (set) for low
 temperature -10°C. till +10°C.



full extension drawer slide (3-parts)
 stainless steel 1.4509/A2 (new @)
 full extension -/-30mm, progressive action
 space required 18mm, highness 62mm, side mounting

with (p/Pr) 10 white DELRIN rollers ø26mm
 all rollers placed on middle profile for easy welding;
 maximum loading 60 Kg/pair (only for normal vertical use)
 the slide can be used for +5°C. till +40°C.

with (removable) integrated (black) EasyClose softclosing
 protection between unintended disconnecting with switch (T)
 high lateral stability through specially formed profiles & rollers
 with nylon parts between the profiles prevent metallic noise
 cabinet profile and drawer profile with screwholes 3,5/4mm
 advice: drawer no wider than the depth

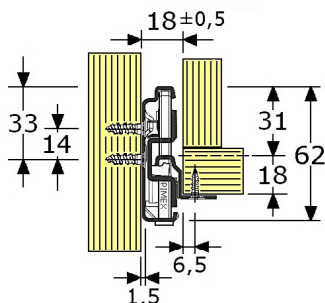


type	length	extension	width	load capacity	per	
927262	ER-7@	365mm	335mm	18mm	60 Kg/Pr 1.4509	5 Pr
927263	ER-7@	415mm	385mm	18mm	60 Kg/Pr 1.4509	5 Pr
927264	ER-7@	465mm	435mm	18mm	60 Kg/Pr 1.4509	5 Pr
927265	ER-7@	515mm	485mm	18mm	60 Kg/Pr 1.4509	5 Pr
927266	ER-7@	565mm	535mm	18mm	60 Kg/Pr 1.4509	5 Pr
927267	ER-7@	615mm	585mm	18mm	60 Kg/Pr 1.4509	5 Pr
927268	ER-7@	665mm	635mm	18mm	60 Kg/Pr 1.4509	5 Pr
927269	ER-7@	715mm	685mm	18mm	60 Kg/Pr 1.4509	5 Pr



full extension drawer slide (3-parts)
 stainless steel 1.4509/A2 (new @)
 full extension +/-15mm, progressive action, highness 62mm
 space required 18mm, for bottom mounting with screwholes

 with (p/Pr) 10 white DELRIN rollers ø26mm
 all rollers placed on middle profile for easy welding;
 maximum loading 70 Kg/pair (only for normal vertical use)
 the slide can be used for -25°C. till +80°C.



 protection between unintended disconnecting with switch (T)
 high lateral stability through specially formed profiles & rollers
 with nylon parts between the profiles prevent metallic noise
 cabinet profile with screwholes 3,5/4mm
 drawer profile with hook with screwholes 3,5/4mm
 advice: drawer no wider than the depth

type	length	extension	width	load capacity	per
927403	R-90@ 400mm	385mm	18mm	70 Kg/Pr 1.4509	5 Pr
927405	R-90@ 500mm	485mm	18mm	70 Kg/Pr 1.4509	5 Pr
927406	R-90@ 550mm	535mm	18mm	70 Kg/Pr 1.4509	5 Pr
927409	R-90@ 700mm	685mm	18mm	63 Kg/Pr 1.4509	5 Pr



full extension drawer slide (3-parts)
 stainless steel 1.4509/A2 (new @)
 full extension +/-30mm, progressive action, highness 62mm
 space required 18mm, for bottom mounting with screwholes

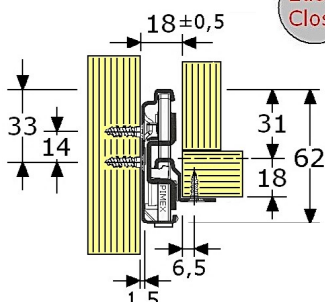
 with (p/Pr) 10 white DELRIN rollers ø26mm
 all rollers placed on middle profile for easy welding;
 maximum loading 60 Kg/pair (only for normal vertical use)
 the slide can be used for +5°C. till +40°C.



from summer 2016:
 we have also new EasyClose
 927250 black+blue (set) for low
 temperature -10°C. till +10°C.

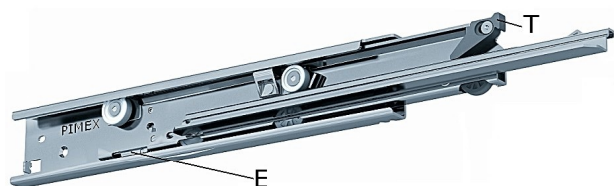
 with (removable) integrated (black) EasyClose softclosing
 protection between unintended disconnecting with switch (T)
 high lateral stability through specially formed profiles & rollers
 with nylon parts between the profiles prevent metallic noise
 cabinet profile and drawer profile with screwholes 3,5/4mm
 advice: drawer no wider than the depth

type	length	extension	width	load capacity	per
927462	ER-9@ 365mm	335mm	18mm	60 Kg/Pr 1.4509	5 Pr
927463	ER-9@ 415mm	385mm	18mm	60 Kg/Pr 1.4509	5 Pr
927464	ER-9@ 465mm	435mm	18mm	60 Kg/Pr 1.4509	5 Pr
927465	ER-9@ 515mm	485mm	18mm	60 Kg/Pr 1.4509	5 Pr
927466	ER-9@ 565mm	535mm	18mm	60 Kg/Pr 1.4509	5 Pr
927467	ER-9@ 615mm	585mm	18mm	60 Kg/Pr 1.4509	5 Pr
927469	ER-9@ 715mm	685mm	18mm	60 Kg/Pr 1.4509	5 Pr



PIMEX B.V.
 Coenecoop 131
 2741 PJ WADDINXVEEN (NL)
 Tel. (31) 182 - 61 11 66
 Email: info@pimex.nl

TELESCOPIC SLIDES, stainless steel

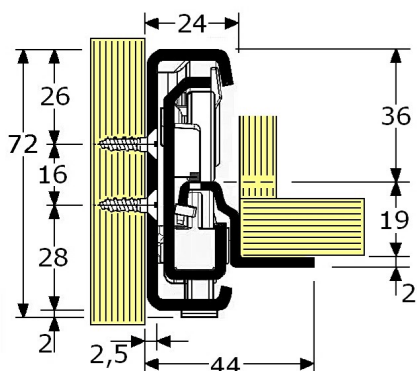


full extension drawer slide (3-parts)
 stainless steel 1.4509/A2 (new @)
 full extension +/-15mm, progressive action
 space required 24mm, highness 72mm
 for bottom mounting without screwholes

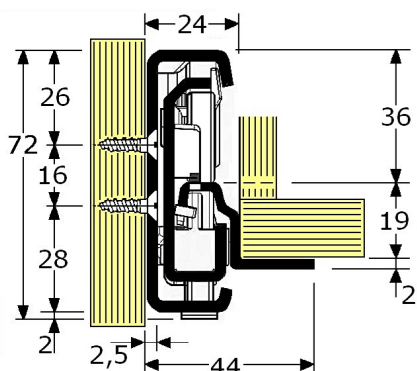
 with (p/Pr) 10 white DELRIN rollers
 all rollers placed on middle profile for easy welding
 maximum loading 120 Kg/pair (only for normal vertical use)
 the slide can be used for -25°C. till +80°C.

 protection between unintended disconnecting of the
 drawer profile with the nylon switch (T); can be switched off,
 the drawer can be lifted up and taken out
 drawer profile without screwholes for welding

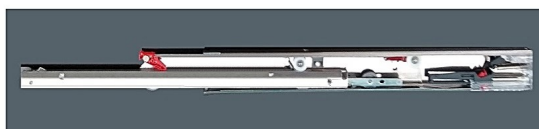
also the middle profile is protected between disconnecting,
 for disconnecting move the nylon end stop block (E) backward
 cabinet profile with screwholes (for 4,5mm/M5)



type	length	extension	width	load capacity	per
927773	R-701@ 400mm	385mm	24mm	120 Kg/Pr	4 Pr
927774	R-701@ 450mm	435mm	24mm	120 Kg/Pr	4 Pr
927775	R-701@ 500mm	485mm	24mm	120 Kg/Pr	4 Pr
927776	R-701@ 550mm	535mm	24mm	120 Kg/Pr	4 Pr
927777	R-701@ 600mm	585mm	24mm	120 Kg/Pr	4 Pr
927779	R-701@ 700mm	685mm	24mm	108 Kg/Pr	2 Pr
927781	R-701@ 750mm	735mm	24mm	108 Kg/Pr	2 Pr

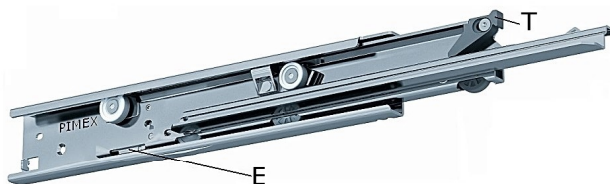


NEW: from spring 2021 we will become a new type
 full extension drawer in stainless steel for 120 Kg
 with integrated EasyClose softclosing



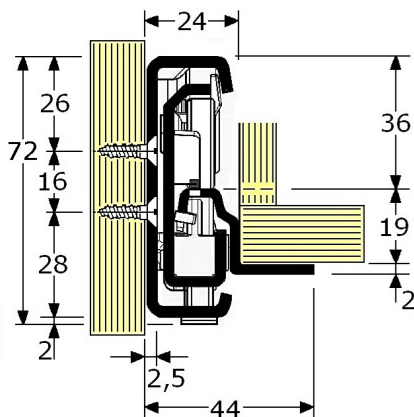
PIMEX B.V.
 Coenecoop 131
 2741 PJ WADDINXVEEN (NL)
 Tel. (31) 182 - 61 11 66
 Email: info@pimex.nl

TELESCOPIC SLIDES, stainless steel



full extension drawer slide (3-parts)
 stainless steel 1.4509/A2 (new @)
 full extension +/-15mm, progressive action
 space required 24mm, highness 72mm
 for bottom mounting without screwholes

 with (p/Pr) 12 white DELRIN rollers
 all rollers placed on middle profile for easy welding
 maximum loading 200 Kg/pair (only for normal vertical use)
 the slide can be used for -25°C. till +80°C.



 protection between unintended disconnecting of the
 drawer profile with the nylon switch (T); can be switched off,
 the drawer can be lifted up and taken out
 drawer profile without screwholes for welding

 also the middle profile is protected between disconnecting,
 for disconnecting move the nylon end stop block (E) backward
 cabinet profile with screwholes (for 4,5mm/M5)

 special production:
 from the length 550mm & 750mm we have small stock



- 928124
- 928126
- 928129
- 928131

type	length	extension	width	load capacity	per
R-81@	450mm	435mm	24mm	200 Kg/Pr	50 Pr
R-81@	550mm	535mm	24mm	200 Kg/Pr	2 Pr
R-81@	700mm	685mm	24mm	180 Kg/Pr	50 Pr
R-81@	750mm	735mm	24mm	180 Kg/Pr	2 Pr



full extension bottle drawer with welded cross-brace
 stainless steel 304/1.4301
 full extension +/-12mm, progressive action

 with total 4 nylon rollers (2x ø27mm, 2x ø28mm) and
 6 stainless steel rolls with ball bearing (2x ø28mm, 4x ø24mm)
 with nylon parts between the profiles prevent metallic noise

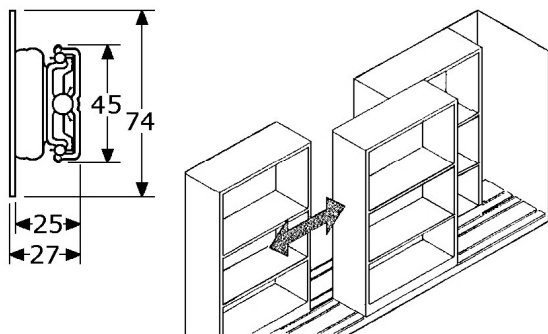
 standard with drawer lock (stainless steel + nylon = 928297)
 on request with clip-on front brackets (h=270mm; pair = L+R)
 and separation bars

- 928379
 - 928395
 - 928398
-

type	length	extension	width	load capacity	per
MR-839	615mm	140mm	525mm	125 Kg/Pcs.	1 Pcs.
separation bars nylon, for W=525mm					
clip-on front brackets stainless steel 304/A2 H=270mm					pair

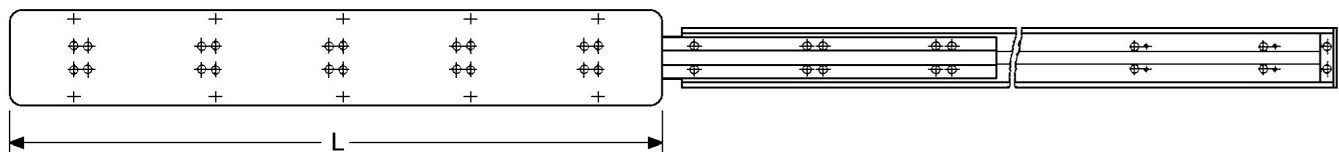


PIMEX B.V.
 Coenecoop 131
 2741 PJ WADDINXVEEN (NL)
 Tel. (31) 182 - 61 11 66
 Email: info@pimex.nl



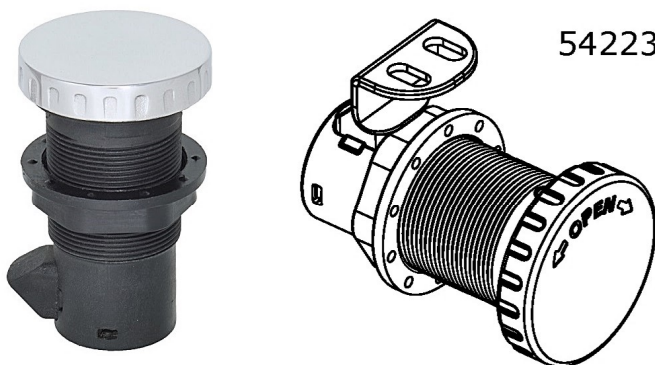
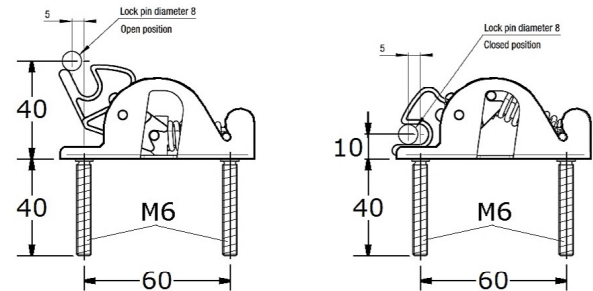
909425

precision ball bearing slide
stainless steel 304/A2
full extension, extension lengths 100%
length 100cm, extension 103cm
with big steel ball bearing, for 50 Kg/Pcs.
width 27mm: for side mounting or
high 27mm: for base mounting
sales by piece (delivery on request)



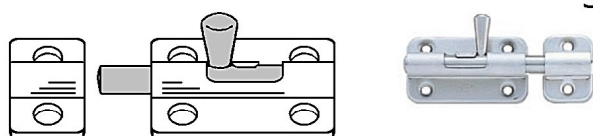
928297

drawer lock mechanism for back mounting
stainless steel 304/A2
with stainless steel spring
with white nylon catch for pin $\varnothing 8$ mm or M8
(pin or pin plate not included)
adjustable with 2x thread M6x40 c.t.c. 60mm
without back plate, without mounting plate
in boxes of 10 Pcs.



542233

cabinet door/drawer push latch $\varnothing 36$ mm
gripped knob stainless steel 304/A2 mirror polished
black nylon body with black nylon nut
dead bolt will be locked when knob is pushed in
open: turn $\pm 10^\circ$ the knob left or right,
the knob will be coming out and
the catch is not more locked
more information, see page GY-539b (group 05)



512204

barrel bolt 60x33mm for front mounting
stainless steel 304/A2 satin polished
with spring: always in the position that you wanted
more information, see page GY-510/511 (group 05)



PIMEX B.V.
Coenecoop 131
2741 PJ WADDINXVEEN (NL)
Tel. (31) 182 - 61 11 66
Email: info@pimex.nl