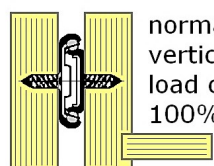
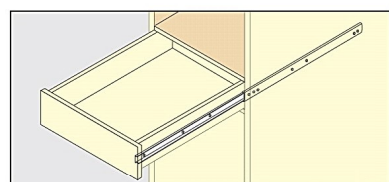
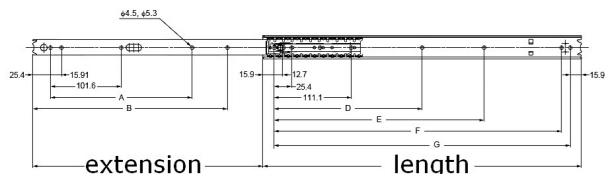
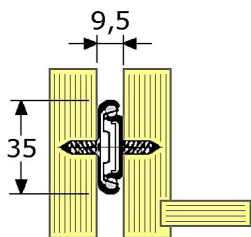
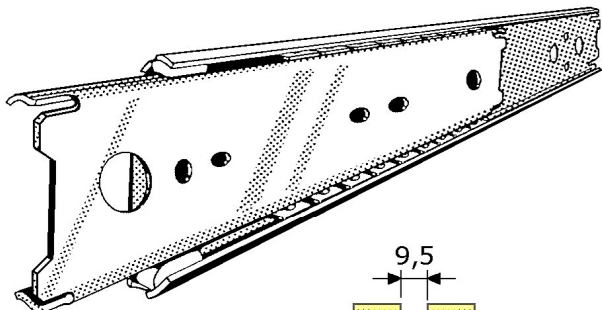
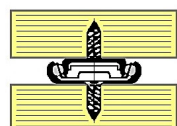


TELESCOPIC SLIDES, stainless steel



normal vertical use:
load capacity 100%



horizontal (flat) use
load capacity only 25%

904241

904242

904243

904244

904245

904246

904247

904249

precision ball bearing slide

stainless steel 304/A2

single extension slide, extension lengths 75%

space required only 9,5mm, highness 35mm, side mounting

maximum loading 25-50 Kg/pair normal vertical use

(for flat horizontal use, the loading capacity is only 25%)

the wall profile has a white nylon glide block inside

for a better and stable sliding;

with stainless steel endstop at the end of the profile

the inner rail can be easily front disconnected

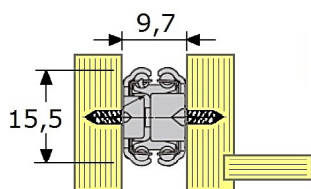
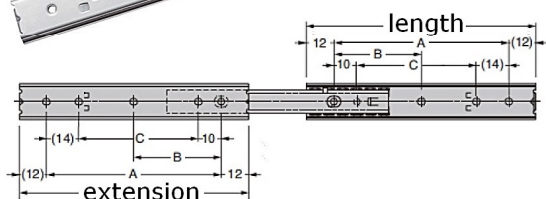
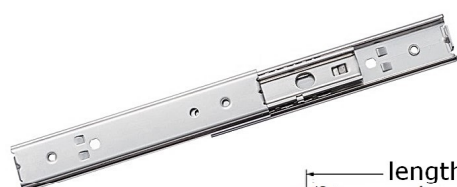
by extra force after fully extended

the slide can be used for -33°C. till +70°C.

with screwholes (4mm/M4)

sales by pair (but left&right are the same)

type	length	extension	width	load capacity	per
ESR-1	305mm	229mm	9,5mm	49 Kg/Pr	15 Pr
ESR-1	356mm	279mm	9,5mm	47 Kg/Pr	15 Pr
ESR-1	407mm	304mm	9,5mm	43 Kg/Pr	15 Pr
ESR-1	458mm	330mm	9,5mm	41 Kg/Pr	15 Pr
ESR-1	508mm	381mm	9,5mm	37 Kg/Pr	15 Pr
ESR-1	559mm	406mm	9,5mm	34 Kg/Pr	15 Pr
ESR-1	610mm	432mm	9,5mm	30 Kg/Pr	15 Pr
SSR-1	711mm	508mm	9,5mm	25 Kg/Pr	10 Pr



906207

906208

precision ball bearing slide

stainless steel 304/A2

full (over) extension slide, extension lengths 100%

space required only 9,7mm, highness 15,5mm, side mounting

with stainless steel endstop at the end of the profile

with screwholes $\varnothing 2,8$ mm

cannot be disconnected

sales by pair (but left&right are the same)

type	length	extension	width	load capacity	per
SCR-3	100mm	125mm	9,7mm	11 Kg/Pr	10 Pr
SCR-3	150mm	177mm	9,7mm	12 Kg/Pr	10 Pr

mini slide



PIMEX B.V.

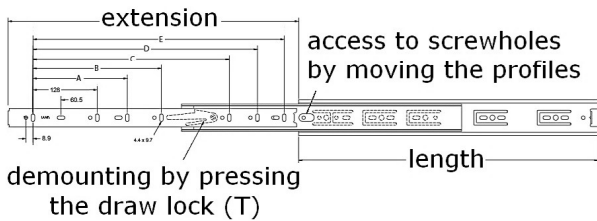
Coenecoop 131

2741 PJ WADDINXVEEN (NL)

Tel. (31) 182 - 61 11 66

Email: info@pimex.nl

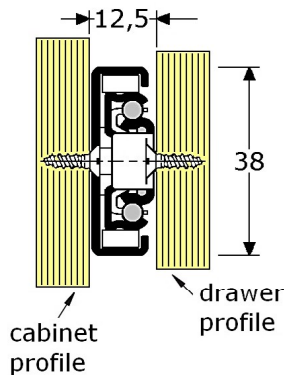
TELESCOPIC SLIDES, stainless steel



big space for looking to the screwholes



demounting by pressing the draw lock (T)



906409

precision ball bearing slide
 stainless steel 304/A2 satin polished
 full extension slide 100%
 space required 12,5mm, highness 45mm, side mounting

 maximum loading 40 Kg/pair normal vertical use
 (for flat horizontal use, the loading capacity is only 25%)

 with nylon parts between the profiles
 with rubber endstop/holder at the end of the profile

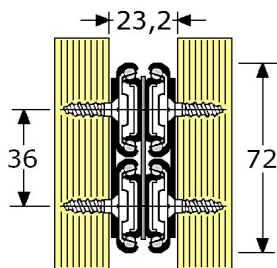
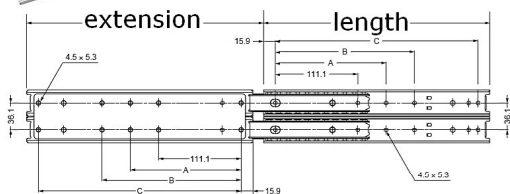
 the inner rail can be easily front disconnected by pressing
 the draw lock (T), only visible if the drawer is full open

 the slide can be used for -33°C. till +93°C.

 with screwholes (4,5mm/M4)

 sales by pair (but left&right are the same)

type	length	extension	width	load capacity	per
3813	200mm	200mm	12,5mm	40 Kg/Pr	10 Pr



909201
 909203
 909205
 909207
 909209

precision ball bearing slide, heavy duty
 stainless steel 304/A2 mirror polished
 full (over) extension slide, extension lengths 100%
 space required 23,2mm, highness 72mm, side mounting

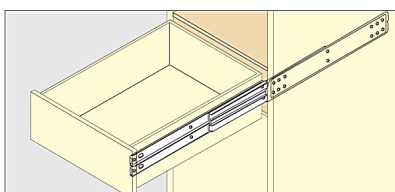
 maximum loading 180-270 Kg/pair (not for vertical use)

 first quality, very stabile, needs accurate mounting
 with stainless steel endstops; cannot be disconnected

 the slide can be used for -33°C. till +80°C.

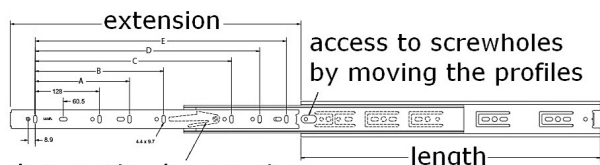
 with double screwholes (4,5mm/M4)
 sales by pair (but left&right are the same)

type	length	extension	width	load capacity	per
ESR-10	305mm	319mm	23,2mm	270 Kg/Pr	2 Pr
ESR-10	407mm	421mm	23,2mm	260 Kg/Pr	2 Pr
ESR-10	508mm	522mm	23,2mm	240 Kg/Pr	2 Pr
ESR-10	610mm	624mm	23,2mm	216 Kg/Pr	2 Pr
ESR-10	711mm	725mm	23,2mm	180 Kg/Pr	2 Pr



PIMEX B.V.
 Coenecoop 131
 2741 PJ WADDINXVEEN (NL)
 Tel. (31) 182 - 61 11 66
 Email: info@pimex.nl

TELESCOPIC SLIDES, stainless steel



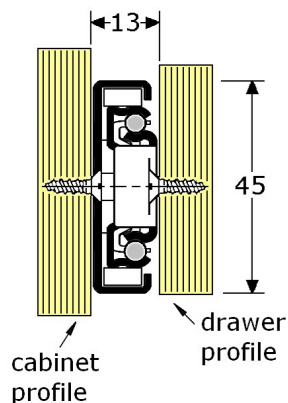
demounting by pressing the draw lock (T)



big space for looking to the screwholes



demounting by pressing the draw lock (T)



precision ball bearing slide
 stainless steel 304/A2 satin polished
 full extension slide, extension lengths 100%
 space required 13mm, highness 45mm, side mounting

 maximum loading 40-45 Kg/pair normal vertical use
 (for flat horizontal use, the loading capacity is only 25%)

 with nylon parts between the profiles
 with rubber endstop/holder at the end of the profile
 (DC-45 with black rubber, DCK with white, D-52 with grey)

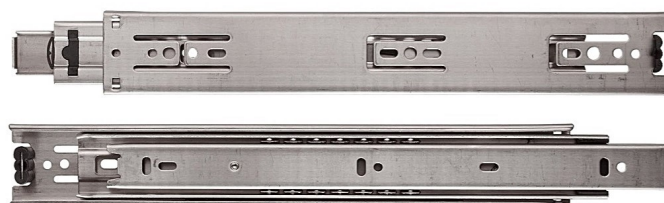
 the inner rail can be easily front disconnected by pressing
 the draw lock (T), only visible if the drawer is full open

 the slide can be used for -33°C. till +93°C.

 with screwholes (4,5mm/M4)

 sales by pair (but left&right are the same)

type	length	extension	width	load capacity	per	
906569	DCK	200mm	200mm	13mm	45 Kg/Pr	20 Pr
906450	DC-45	250mm	250mm	13mm	45 Kg/Pr	10 Pr
906451	DC-45	300mm	300mm	13mm	45 Kg/Pr	10 Pr
906452	DC-45	350mm	350mm	13mm	45 Kg/Pr	10 Pr
906453	DC-45	400mm	400mm	13mm	45 Kg/Pr	10 Pr
906454	DC-45	450mm	450mm	13mm	45 Kg/Pr	10 Pr
906444	D-52	450mm	450mm	13mm	45 Kg/Pr	10 Pr
906455	DC-45	500mm	500mm	13mm	44 Kg/Pr	10 Pr
906456	DC-45	550mm	550mm	13mm	43 Kg/Pr	10 Pr
906457	DC-45	600mm	600mm	13mm	42 Kg/Pr	10 Pr
906459	DC-45	700mm	700mm	13mm	40 Kg/Pr	10 Pr



PIMEX B.V.
 Coenecoop 131
 2741 PJ WADDINXVEEN (NL)
 Tel. (31) 182 - 61 11 66
 Email: info@pimex.nl



precision ball bearing slide
 stainless steel 304/A2 satin polished
 full extension slide 100% (not for length 300mm & 350mm)
 space required 13mm, highness 45mm, side mounting

 maximum loading 16-35 Kg/pair normal vertical use
 (this type cannot be used for flat horizontal use)
 with nylon parts between the profiles
 with black rubber endstop/holder at the end of the profile

 with integrated EasyClose soft closing from 36mm
 (for 300mm & 350mm: soft closing from 20mm)

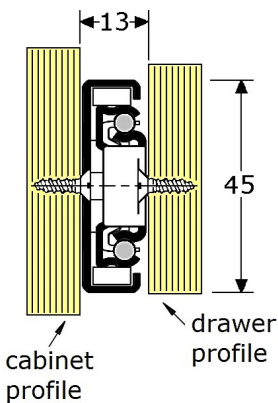
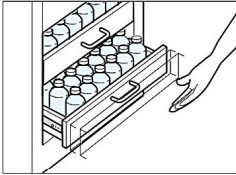
 the inner rail can be easily front disconnected by pressing
 the draw lock (T), only visible if the drawer is full open

 the slide can be used for +5°C. till +40°C.

 with screwholes (4,5mm/M4)

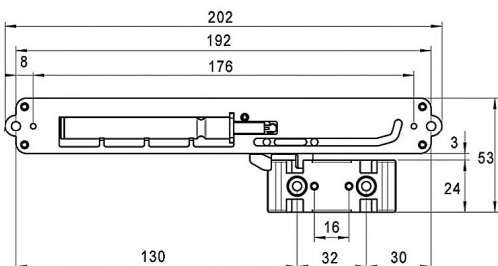
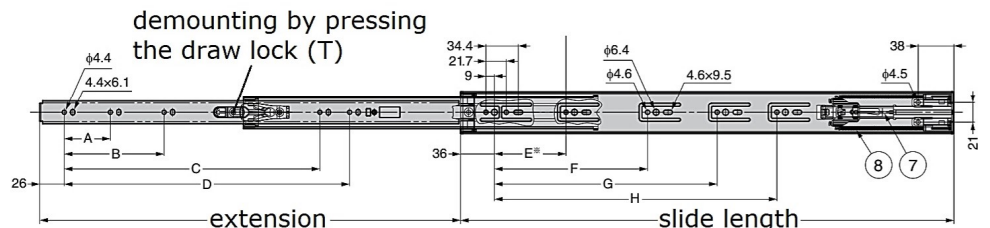
 sales in boxes of 10 pair (delivery on request)

[Self & Soft Closing]



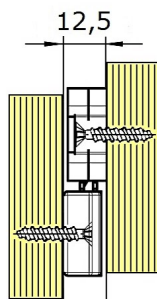
type	length	extension	width	load capacity	per	
906331	EV-46	300mm	265mm	13mm	16 Kg/Pr	10 Pr
906332	EV-46	350mm	340mm	13mm	16 Kg/Pr	10 Pr
906333	EV-46	400mm	406mm	13mm	20 Kg/Pr	10 Pr
906334	EV-46	450mm	457mm	13mm	30 Kg/Pr	10 Pr
906335	EV-46	500mm	508mm	13mm	35 Kg/Pr	10 Pr
906336	EV-46	550mm	559mm	13mm	35 Kg/Pr	10 Pr
906337	EV-46	600mm	610mm	13mm	35 Kg/Pr	10 Pr
906339	EV-46	700mm	711mm	13mm	35 Kg/Pr	10 Pr

access to screwholes
 by moving the profiles



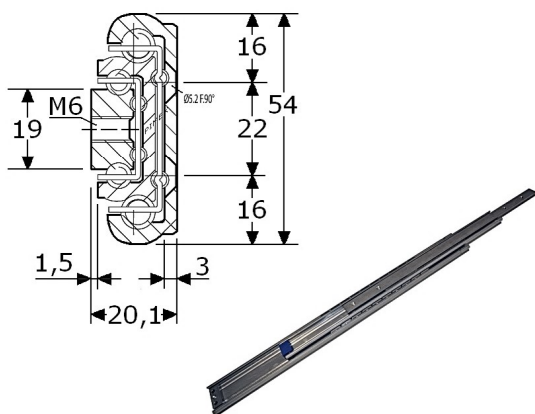
926893

EC EasyClose soft closing (loose system)
 grey plastic (2-parts), for screw-on
 length 202mm, for maximum 70 Kg
 with steel spring, soft closing from 30mm
 minimum space required 12,5mm
 minimum highness 53mm
 can be used for +5°C. till +40°C.
 with grey latch plate 60x24x12mm for screw-on
 in boxes of 1 set (LH + RH)



PIMEX B.V.
 Coenecoop 131
 2741 PJ WADDINXVEEN (NL)
 Tel. (31) 182 - 61 11 66
 Email: info@pimex.nl

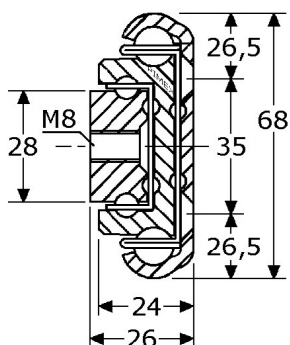
TELESCOPIC SLIDES, stainless steel



precision ball bearing slide, heavy duty
 stainless steel 304L/A2/1.4306, not polished
 full extension ++ 15mm (3-parts), extension lengths 100%
 space required 20,1mm, highness 54mm, side mounting

 with harded ball bearing out of stainless steel 440c/1.4125
 slide is very stabile and needs accurate mounting, not noiseless
 with blue plastic stop block, slide cannot be disconnected
 load capacity based on normal vertical (drawer) use
 (for flat horizontal use, the load capacity is only 30%)
 the outer rail: with 2x2 holes for 5mm (from 600mm: 3x2 holes)
 (the first 2 holes of these 2x2 or 3x2 holes are countersunk)
 the inner rail: with 4x tapped hole M6 (from 600mm: 6x M6)
 sales by pair (but left&right are the same)

	type	length	extension	width	load capacity	per
903610	C-5	250mm	265mm	20,1mm	140 Kg/Pr	1 Pr
903613	C-5	400mm	415mm	20,1mm	140 Kg/Pr	1 Pr
903615	C-5	500mm	515mm	20,1mm	140 Kg/Pr	1 Pr
903617	C-5	600mm	615mm	20,1mm	140 Kg/Pr	1 Pr
903622	C-5	800mm	815mm	20,1mm	140 Kg/Pr	1 Pr
903626	C-5	1000mm	1015mm	20,1mm	130 Kg/Pr	1 Pr
903627	C-5	1200mm	1215mm	20,1mm	95 Kg/Pr	1 Pr
903628	C-5	1400mm	1415mm	20,1mm	55 Kg/Pr	1 Pr



precision ball bearing slide, heavy duty
 stainless steel 304L/A2/1.4306, not polished
 full extension ++ 15mm (3-parts), extension lengths 100%
 space required 26mm, highness 68mm, side mounting

 with harded ball bearing out of stainless steel 440c/1.4125
 slide is very stabile and needs accurate mounting, not noiseless
 with blue plastic stop block, slide cannot be disconnected
 load capacity based on normal vertical (drawer) use
 (for flat horizontal use, the load capacity is only 30%)
 the outer rail: with 2x2 holes 6,5mm (from 600mm: 3x2 holes)
 the inner rail: with 4x tapped hole M8 (from 600mm: 6x M8)

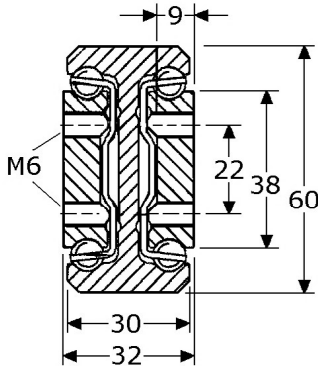
 sales by pair (but left&right are the same)

	type	length	extension	width	load capacity	per
903635	C-8	500mm	515mm	26mm	270 Kg/Pr	1 Pr
903637	C-8	600mm	615mm	26mm	270 Kg/Pr	1 Pr
903639	C-8	700mm	715mm	26mm	270 Kg/Pr	1 Pr
903642	C-8	800mm	815mm	26mm	270 Kg/Pr	1 Pr
903646	C-8	1000mm	1015mm	26mm	240 Kg/Pr	1 Pr
903647	C-8	1200mm	1215mm	26mm	190 Kg/Pr	1 Pr
903649	C-8	1500mm	1515mm	26mm	130 Kg/Pr	1 Pr



PIMEX B.V.
 Coenecoop 131
 2741 PJ WADDINXVEEN (NL)
 Tel. (31) 182 - 61 11 66
 Email: info@pimex.nl

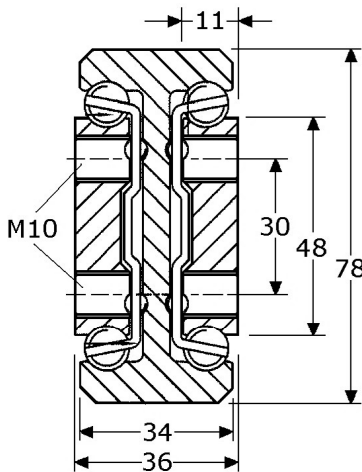
TELESCOPIC SLIDES, stainless steel



	length	extension	width	load capacity	per
903659	700mm	700mm	32mm	500 Kg/Pr	1 Pr
903662	800mm	800mm	32mm	500 Kg/Pr	1 Pr
903664	900mm	900mm	32mm	465 Kg/Pr	1 Pr
903666	1000mm	1000mm	32mm	430 Kg/Pr	1 Pr
903667	1200mm	1200mm	32mm	360 Kg/Pr	1 Pr
903669	1500mm	1500mm	32mm	225 Kg/Pr	1 Pr

precision ball bearing slide, heavy duty
 stainless steel 304L/A2/1.4306, not polished
 full extension (3-parts), extension lengths 100%
 space required 32mm, highness 60mm, side mounting

with harded ball bearing out of stainless steel 440c/1.4125
 slide is very stabile and needs accurate mounting, not noiseless
 with blue plastic stop block, slide cannot be disconnected
 load capacity based on normal vertical (drawer) use
 (for flat horizontal use, the load capacity is only 30%)
 the outer rail: with double tapped screwholes M6
 the inner rail: with double tapped screwholes M6
 sales by pair (but left&right are the same)



	length	extension	width	load capacity	per
903675	500mm	500mm	36mm	900 Kg/Pr	1 Pr
903677	600mm	600mm	36mm	900 Kg/Pr	1 Pr
903679	700mm	700mm	36mm	900 Kg/Pr	1 Pr
903686	1000mm	1000mm	36mm	750 Kg/Pr	1 Pr
903687	1200mm	1200mm	36mm	650 Kg/Pr	1 Pr
903688	1400mm	1400mm	36mm	550 Kg/Pr	1 Pr
903689	1500mm	1500mm	36mm	500 Kg/Pr	1 Pr

precision ball bearing slide, heavy duty
 stainless steel 304L/A2/1.4306, not polished
 full extension (3-parts), extension lengths 100%
 space required 36mm, highness 78mm, side mounting

with harded ball bearing out of stainless steel 440c/1.4125
 slide is very stabile and needs accurate mounting, not noiseless
 with blue plastic stop block, slide cannot be disconnected
 load capacity based on normal vertical (drawer) use
 (for flat horizontal use, the load capacity is only 30%)
 the outer rail: with double tapped screwholes M10
 the inner rail: with double tapped screwholes M10
 sales by pair (but left&right are the same)



PIMEX B.V.
 Coenecoop 131
 2741 PJ WADDINXVEEN (NL)
 Tel. (31) 182 - 61 11 66
 Email: info@pimex.nl