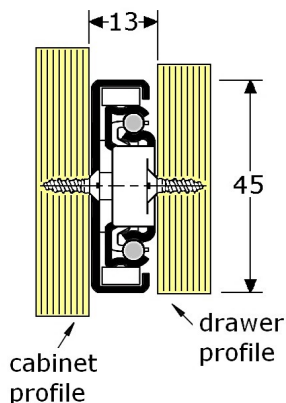
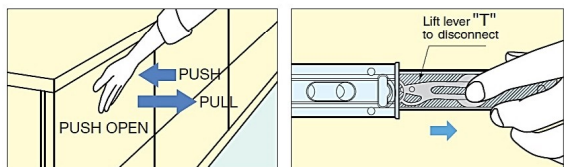


TELESCOPIC SLIDES, steel zinc plated



902401

precision ball bearing slide "push-to-open"
 steel zinc plated
 full extension (3-parts), extension lengths 100%
 space required only 13mm, highness 45mm, side mounting

 "touch-latch", can be used for drawers without handle
 keep 6mm gap between front and cabinet, 20mm spring loaded
 with nylon parts between the profiles
 for closing: last 20mm need more power to close

 the inner rail can be easily front disconnected by pressing
 the draw lock (T), only visible if the drawer is full open

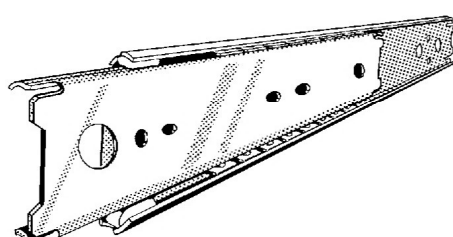

 with screwholes (4,4mm/M4)
 sales by pair (but left&right are the same)

type	length	extension	width	load capacity	per
4060	310mm	300mm	13mm	25 Kg/Pr	10 Pr

for stainless steel telescopic slides with ball bearing
 single extension for 25-50 Kg/pair, see page GY-912a

for stainless steel telescopic slides with ball bearing
 full extension for 40-52 Kg/pair, see page GY-913a

for stainless steel telescopic slides with ball bearing
 full extension for 180-270 Kg/pair, see page GY-912b

PIMEX B.V.
 Coenecoop 131
 2741 PJ WADDINXVEEN (NL)
 Tel. (31) 182 - 61 11 66
 Email: info@pimex.nl

precision ball bearing slide
 steel zinc plated
 full extension slide, extension lengths 100%
 space required only 13mm, highness 45mm, side mounting



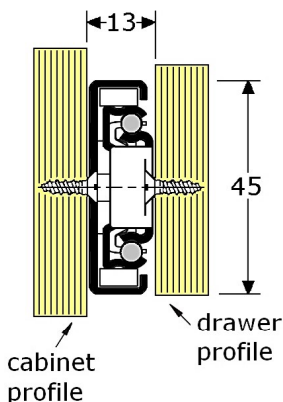
big space for looking to the screwholes



dismounting by pressing the draw lock (T)

maximum loading 42-45 Kg/pair normal vertical use
 (for flat horizontal use, the loading capacity is only 25%)
 with nylon parts between the profiles
 with black rubber endstop/holder at the end of the profile
 the inner rail can be easily front disconnected by pressing the draw lock (T), only visible if the drawer is full open

with screwholes (4,5mm/M4)
 sales by pair (but left&right are the same)
 (also possible in stainless steel, see page GY-913a)



	type	length	extension	width	load capacity	per
902450	V-50	250mm	250mm	13mm	45 Kg/Pr	10 Pr
902451	V-50	300mm	300mm	13mm	45 Kg/Pr	10 Pr
902452	V-50	350mm	350mm	13mm	45 Kg/Pr	10 Pr
902453	V-50	400mm	400mm	13mm	45 Kg/Pr	10 Pr
902454	V-50	450mm	450mm	13mm	45 Kg/Pr	10 Pr
902455	V-50	500mm	500mm	13mm	44 Kg/Pr	10 Pr
902456	V-50	550mm	550mm	13mm	43 Kg/Pr	10 Pr
902457	V-50	600mm	600mm	13mm	42 Kg/Pr	10 Pr

precision ball bearing slide
 steel zinc plated
 full extension slide
 space required only 12,3mm, highness 45mm, side mounting

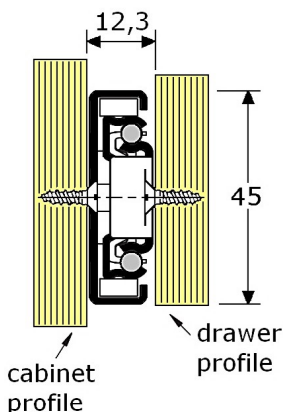


EasyClose

maximum loading 40 Kg/pair normal vertical use
 (for flat horizontal use, the loading capacity is only 25%)
 with nylon parts between the profiles
 with endstop/holder at the end of the profile

with integrated EasyClose softclosing
 the inner rail can be easily front disconnected by pressing the draw lock (T), only visible if the drawer is full open

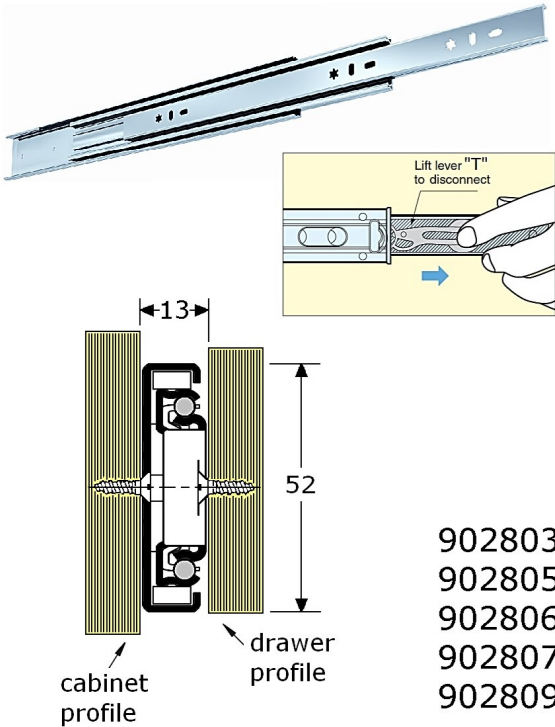
with screwholes (4,5mm/M4)
 sales by pair (but left&right are the same)



	type	length	extension	width	load capacity	per
902431	EV-5	305mm	297mm	12,3mm	40 Kg/Pr	10 Pr
902432	EV-5	355mm	347mm	12,3mm	40 Kg/Pr	10 Pr
902433	EV-5	405mm	397mm	12,3mm	40 Kg/Pr	10 Pr
902434	EV-5	450mm	447mm	12,3mm	40 Kg/Pr	10 Pr
902435	EV-5	500mm	497mm	12,3mm	40 Kg/Pr	10 Pr
902436	EV-5	550mm	547mm	12,3mm	40 Kg/Pr (A)	15 Pr
902437	EV-5	600mm	597mm	12,3mm	40 Kg/Pr (A)	15 Pr
902439	EV-5	700mm	697mm	12,3mm	40 Kg/Pr (A)	15 Pr



PIMEX B.V.
 Coenecoop 131
 2741 PJ WADDINXVEEN (NL)
 Tel. (31) 182 - 61 11 66
 Email: info@pimex.nl



precision ball bearing slide
 steel zinc plated
 full extension slide, extension lengths 100%
 space required only 13mm, highness 52mm, side mounting

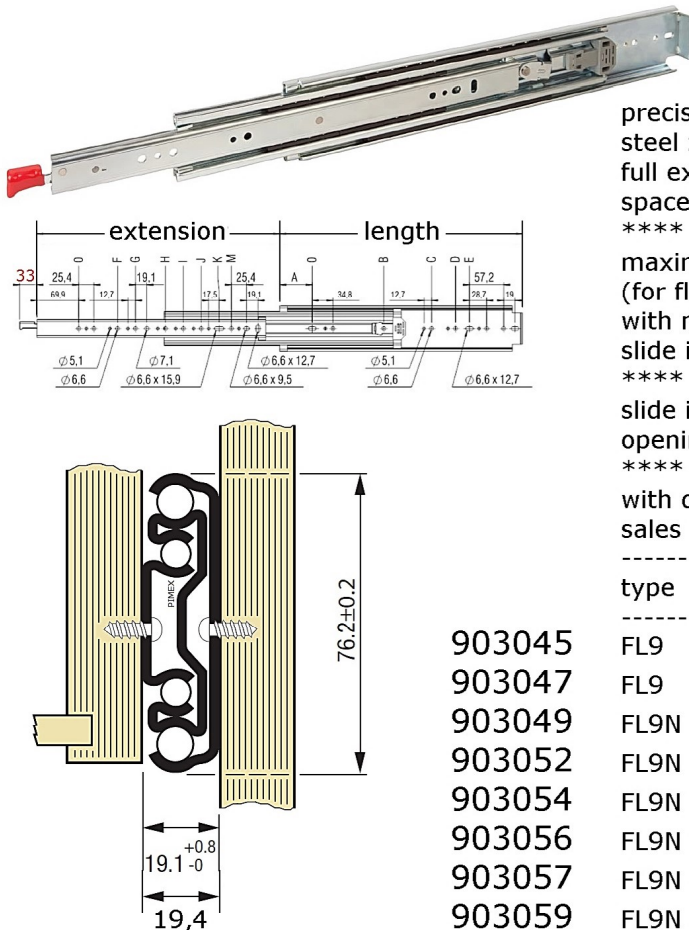
 maximum loading 81-90 Kg/pair normal vertical use
 (for flat horizontal use, the loading capacity is only 25%)
 with nylon parts between the profiles
 with black rubber endstop/holder at the end of the profile

 the inner rail can be easily front disconnected by pressing
 the draw lock (T), only visible if the drawer is full open

 with screwholes (4,5mm/M4)
 sales by pair (but left&right are the same)

- 902803
- 902805
- 902806
- 902807
- 902809

type	length	extension	width	load capacity	per
V-52	400mm	400mm	13mm	90 Kg/Pr	10 Pr
V-52	500mm	500mm	13mm	90 Kg/Pr	8 Pr
V-52	550mm	550mm	13mm	90 Kg/Pr	8 Pr
V-52	600mm	600mm	13mm	90 Kg/Pr	6 Pr
V-52	700mm	700mm	13mm	81 Kg/Pr	6 Pr



precision ball bearing slide, heavy duty
 steel zinc plated
 full extension slide, extension lengths 100%
 space required 19,4mm, highness 76mm, side mounting

 maximum loading 150-250 Kg/pair normal vertical use
 (for flat horizontal use, the loading capacity is only 25%)
 with nylon endstop/holder at the end of the profile
 slide is very stable, slide cannot be disconnected

 slide is blocked by red/steel security knob of 33mm
 opening only possible by pushing both knobs down

 with different screwholes
 sales by pair (but left&right are the same)

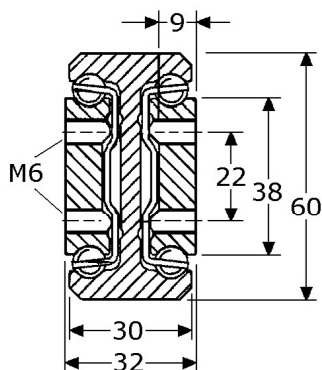
- 903045
- 903047
- 903049
- 903052
- 903054
- 903056
- 903057
- 903059

type	length	extension	width	load capacity	per
FL9	51cm	51cm	19,4mm	250 Kg/Pr	4 Pr
FL9	61cm	61cm	19,4mm	250 Kg/Pr	2 Pr
FL9N	72cm	72cm	19,4mm	250 Kg/Pr	2 Pr
FL9N	82cm	82cm	19,4mm	225 Kg/Pr	2 Pr
FL9N	92cm	92cm	19,4mm	225 Kg/Pr	1 Pr
FL9N	102cm	102cm	19,4mm	225 Kg/Pr	1 Pr
FL9N	122cm	122cm	19,4mm	180 Kg/Pr	1 Pr
FL9N	152cm	152cm	19,4mm	150 Kg/Pr	1 Pr



PIMEX B.V.
 Coenecoop 131
 2741 PJ WADDINXVEEN (NL)
 Tel. (31) 182 - 61 11 66
 Email: info@pimex.nl

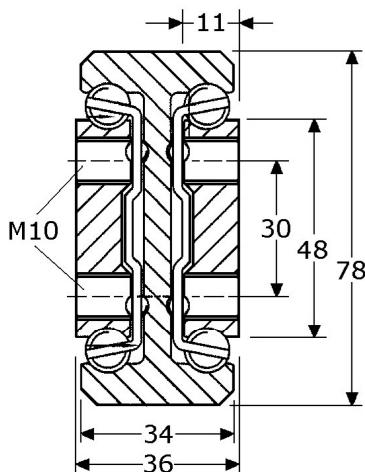
TELESCOPIC SLIDES, steel zinc plated



	length	extension	width	load capacity	per
903157	600mm	600mm	32mm	500 Kg/Pr	1 Pr
903159	700mm	700mm	32mm	500 Kg/Pr	1 Pr
903162	800mm	800mm	32mm	500 Kg/Pr	1 Pr
903164	900mm	900mm	32mm	465 Kg/Pr	1 Pr
903166	1000mm	1000mm	32mm	430 Kg/Pr	1 Pr
903167	1200mm	1200mm	32mm	360 Kg/Pr	1 Pr
903169	1500mm	1500mm	32mm	225 Kg/Pr	1 Pr

precision ball bearing slide, heavy duty
 steel black plated
 full extension (3-parts), extension lengths 100%
 space required 32mm, highness 60mm, side mounting

 with harded steel ball bearing, not noiseless
 slide is very stabile and needs accurate mounting
 with blue plastic stop block, slide cannot be disconnected
 load capacity based on normal vertical (drawer) use
 (for flat horizontal use, the load capacity is only 30%)
 the outer rail: with double tapped screwholes M6
 the inner rail: with double tapped screwholes M6
 sales by pair (but left&right are the same)



	length	extension	width	load capacity	per
903177	600mm	600mm	36mm	900 Kg/Pr	1 Pr
903179	700mm	700mm	36mm	900 Kg/Pr	1 Pr
903186	1000mm	1000mm	36mm	750 Kg/Pr	1 Pr
903187	1200mm	1200mm	36mm	650 Kg/Pr	1 Pr
903188	1400mm	1400mm	36mm	550 Kg/Pr	1 Pr
903189	1500mm	1500mm	36mm	500 Kg/Pr	1 Pr
903197	2000mm	2000mm	36mm	250 Kg/Pr	1 Pr

precision ball bearing slide, heavy duty
 steel zinc plated
 full extension (3-parts), extension lengths 100%
 space required 36mm, highness 78mm, side mounting

 with harded steel ball bearing, not noiseless
 slide is very stabile and needs accurate mounting
 with blue plastic stop block, slide cannot be disconnected
 load capacity based on normal vertical (drawer) use
 (for flat horizontal use, the load capacity is only 30%)
 the outer rail: with double tapped screwholes M10
 the inner rail: with double tapped screwholes M10
 sales by pair (but left&right are the same)



PIMEX B.V.
 Coenecoop 131
 2741 PJ WADDINXVEEN (NL)
 Tel. (31) 182 - 61 11 66
 Email: info@pimex.nl