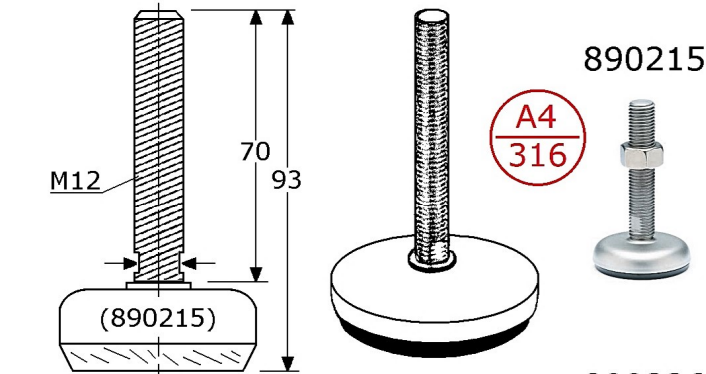


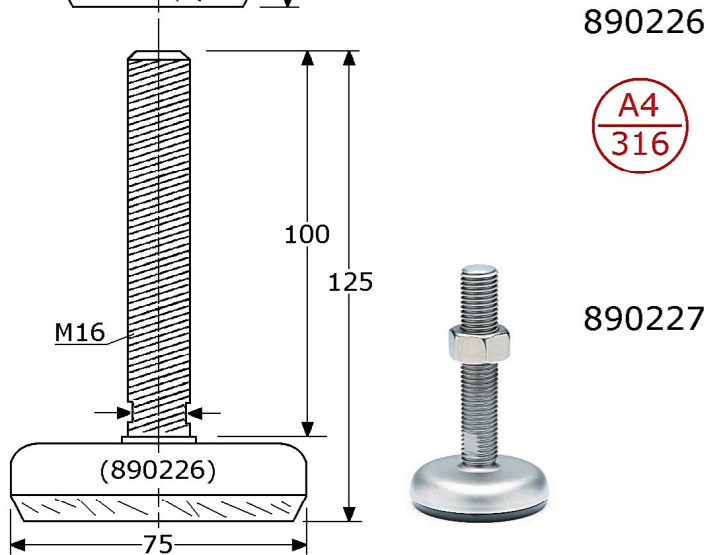
**890204**

leveling glides M10x72mm  
stainless steel 316/A4 polished  
with foot (316/A4)  $\varnothing$ 40mm with black rubber  
foot highness 20/22mm, total highness 72mm  
with opening for wrench 8mm  
max. loading 100 Kg/Pcs., short time 200 Kg/Pcs.  
in boxes of 10 Pcs.



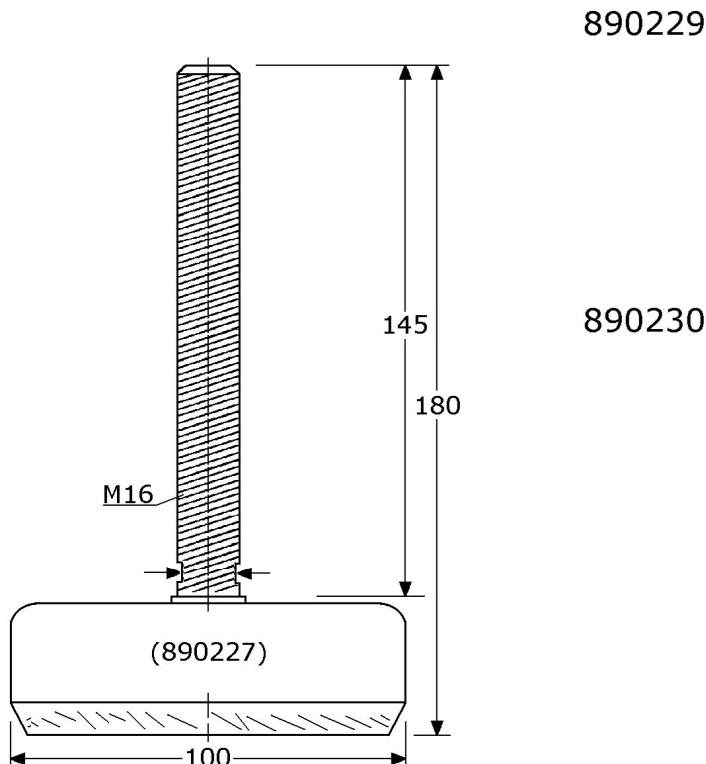
**890215**

leveling glides M12x93mm  
stainless steel 316/A4 polished  
with foot (316/A4)  $\varnothing$ 50mm with black rubber  
foot highness 21/23mm, total highness 93mm  
with opening for wrench 10mm  
max. loading 150 Kg/Pcs., short time 300 Kg/Pcs.  
in boxes of 10 Pcs.



**890226**

leveling glides M16x125mm  
stainless steel 316/A4 polished  
with foot (316/A4)  $\varnothing$ 75mm with black rubber  
foot highness 23/25mm, total highness 125mm  
with opening for wrench 13mm  
max. loading 400 Kg/Pcs., short time 800 Kg/Pcs.  
in boxes of 20 Pcs. (delivery on request)



**890227**

leveling glides M16x180mm  
stainless steel 304/A2 polished  
with foot (304/A2)  $\varnothing$ 100mm with black rubber  
foot highness 33/35mm, total highness 180mm  
with opening for wrench 13mm  
max. loading 1000 Kg/Pcs., short time 2000 kg/Pcs.  
in boxes of 10 Pcs.

**890229**

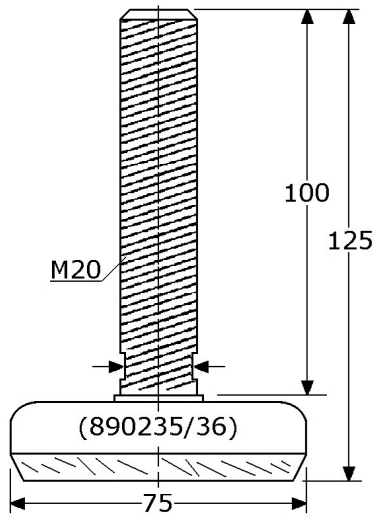
leveling glides M16x216mm  
stainless steel 304/A2 polished  
with foot (304/A2)  $\varnothing$ 125mm with black rubber  
foot highness 34/36mm, total highness 216mm  
with opening for wrench 13mm  
max. loading 1500 Kg/Pcs., short time 3000 Kg/Pcs.  
in boxes of 10 Pcs. (no drawing)

**890230**

leveling glides M16x185mm  
stainless steel 304/A2 polished  
with foot (304/A2)  $\varnothing$ 150mm with black rubber  
foot highness 38/40mm, total highness 185mm  
with opening for wrench 13mm  
max. loading 2000 Kg/Pcs., short time 4000 Kg/Pcs.  
in boxes of 10 Pcs. (no drawing)

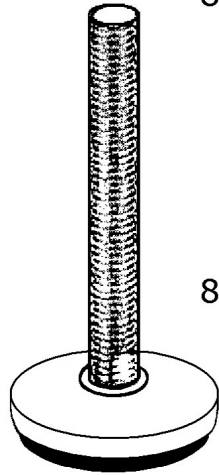


**PIMEX B.V.**  
Coenecoop 131  
2741 PJ WADDINXVEEN (NL)  
Tel. (31) 182 - 61 11 66  
Email: info@pimex.nl



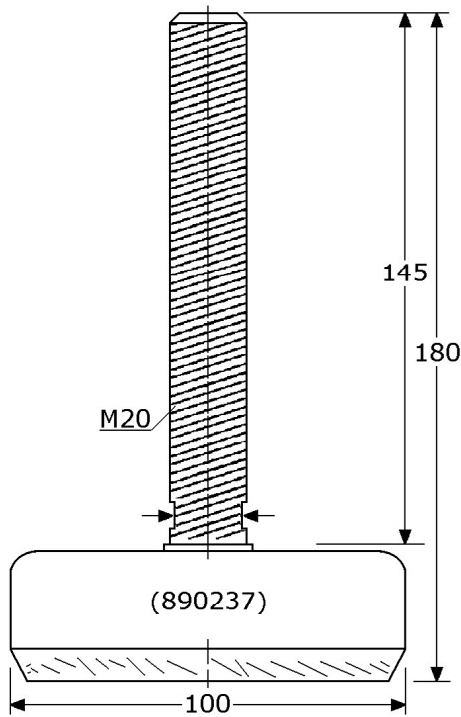
**890235**

leveling glides M20x125mm  
 stainless steel 304/A2 polished  
 with foot (304/A2)  $\varnothing$ 75mm with black rubber  
 foot highness 23/25mm, total highness 125mm  
 with opening for wrench 15mm  
 max. loading 400 Kg/Pcs., short time 800 Kg/Pcs.  
 in boxes of 10 Pcs.



**890236**

leveling glides M20x125mm  
 stainless steel 316/A4 polished  
 with foot (316/A4)  $\varnothing$ 75mm with black rubber  
 foot highness 23/25mm, total highness 125mm  
 with opening for wrench 15mm  
 max. loading 400 Kg/Pcs., short time 800 Kg/Pcs.  
 in boxes of 10 Pcs.



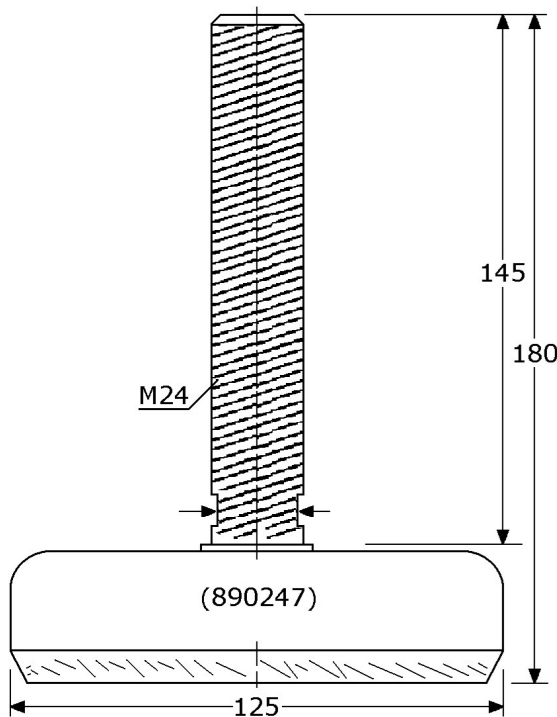
**890237**

leveling glides M20x180mm  
 stainless steel 304/A2 polished  
 with foot (304/A2)  $\varnothing$ 100mm with black rubber  
 foot highness 33/35mm, total highness 180mm  
 with opening for wrench 15mm  
 max. loading 1000 Kg/Pcs., short time 2000 kg/Pcs.  
 in boxes of 10 Pcs. (delivery on request)



**890247**

leveling glides M24x180mm  
 stainless steel 304/A2 polished  
 with foot (304/A2)  $\varnothing$ 100mm with black rubber  
 foot highness 33/35mm, total highness 180mm  
 with opening for wrench 19mm  
 max. loading 1000 Kg/Pcs., short time 2000 kg/Pcs.  
 in boxes of 10 Pcs. (delivery on request)

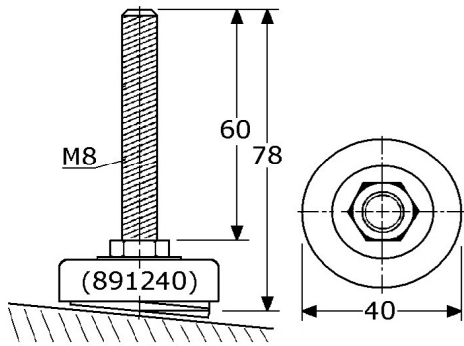


**890248**

leveling glides M24x216mm  
 stainless steel 304/A2 polished  
 with foot (304/A2)  $\varnothing$ 125mm with black rubber  
 foot highness 34/36mm, total highness 216mm  
 with opening for wrench 19mm  
 max. loading 1500 Kg/Pcs., short time 3000 Kg/Pcs.  
 in boxes of 10 Pcs. (delivery on request)

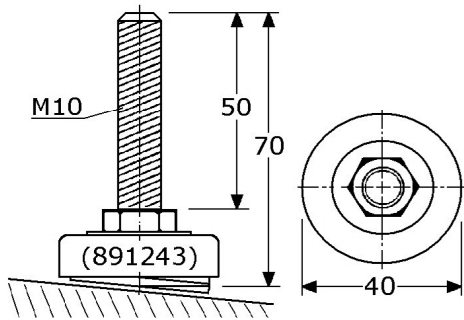


**PIMEX B.V.**  
 Coenecoop 131  
 2741 PJ WADDINXVEEN (NL)  
 Tel. (31) 182 - 61 11 66  
 Email: info@pimex.nl



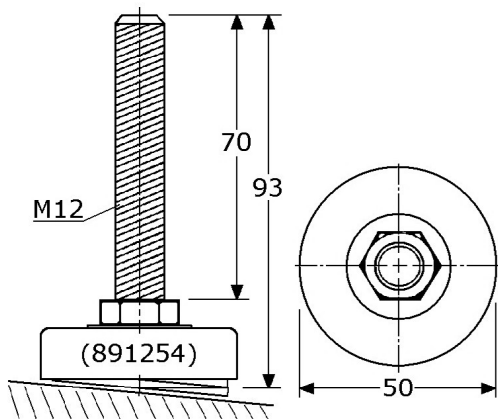
**891240**

leveling glides M8x78mm  
stainless steel 304/A2 satin polished  
flexible foot (304/A2) ø40mm with black rubber  
foot high 13mm, thread 60mm, total high 78mm  
with hexagon for wrench 13mm  
max. loading 100 Kg/Pcs., short time 200 Kg/Pcs.  
in boxes of 30 Pcs.



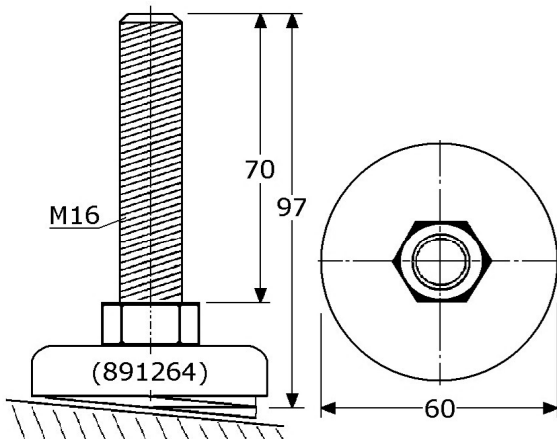
**891243**

leveling glides M10x70mm  
stainless steel 304/A2 satin polished  
flexible foot (304/A2) ø40mm with black rubber  
foot high 13mm, thread 50mm, total high 70mm  
with hexagon for wrench 17mm  
max. loading 160 Kg/Pcs., short time 320 Kg/Pcs.  
in boxes of 30 Pcs.



**891254**

leveling glides M12x93mm  
stainless steel 304/A2 satin polished  
flexible foot (304/A2) ø50mm with black rubber  
foot high 15mm, thread 70mm, total high 93mm  
with hexagon for wrench 19mm  
max. loading 440 Kg/Pcs., short time 880 Kg/Pcs.  
in boxes of 15 Pcs.



**891264**

leveling glides M16x97mm  
stainless steel 304/A2 satin polished  
flexible foot (304/A2) ø60mm with black rubber  
foot high 17mm, thread 70mm, total high 97mm  
with hexagon for wrench 24mm  
max. loading 730 Kg/Pcs., short time 1460 Kg/Pcs.  
in boxes of 10 Pcs.



for black and zinc nickel threaded  
tube inserts, see page GY-892b



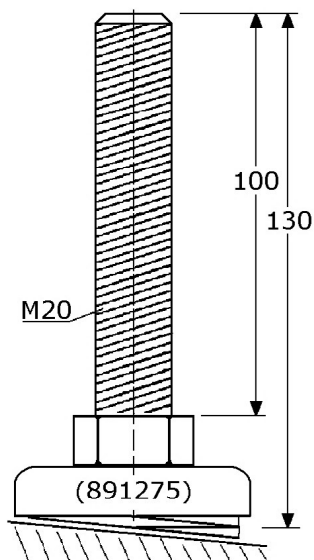
for stainless steel tube  
inserts, see page GY-892a



for stainless steel weld-on  
plates, see page GY-892a

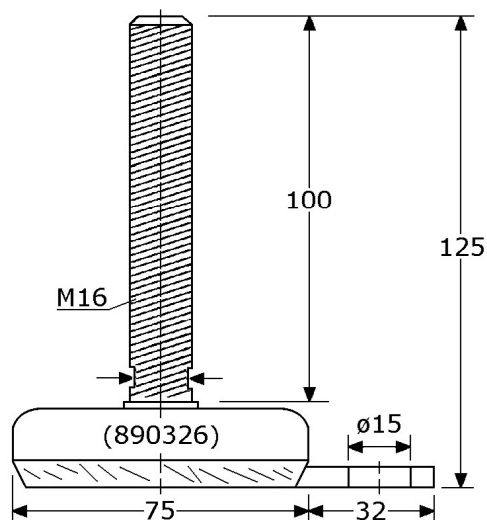
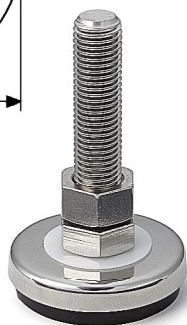
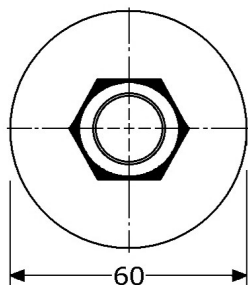


**PIMEX B.V.**  
Coenecoop 131  
2741 PJ WADDINXVEEN (NL)  
Tel. (31) 182 - 61 11 66  
Email: info@pimex.nl



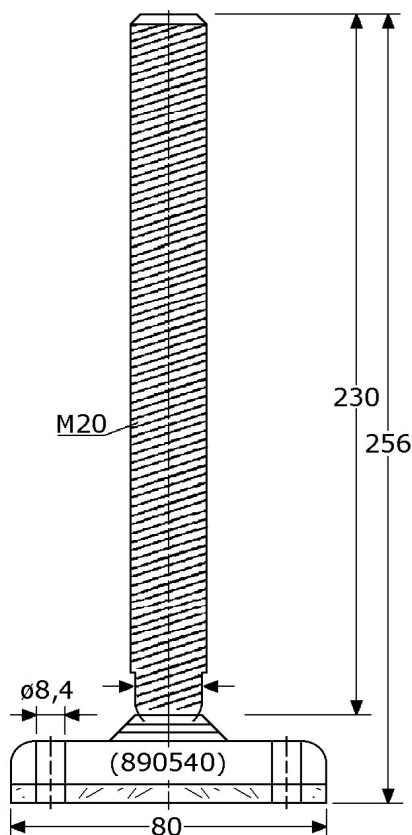
**891275**

leveling glides M20x130mm  
 stainless steel 304/A2 satin polished  
 flexible foot (304/A2) ø60mm with black rubber  
 foot high 17mm, thread 113mm, total high 130mm  
 with hexagon for wrench 30mm  
 max. loading 875 Kg/Pcs., short time 1750 Kg/Pcs.  
 in boxes of 25 Pcs. (delivery on request)



**890326**

leveling glides M16x125mm  
 stainless steel 304/A2 polished  
 with foot (304/A2) ø75mm with black rubber  
 foot with embedded fixing plate (304/A2) 32mm  
 with 1x hole ø15mm for fixing to the floor  
 foot highness 23/25mm, total highness 125mm  
 with opening for wrench 13mm  
 max. loading 400 Kg/Pcs., short time 800 Kg/Pcs.  
 in boxes of 10 Pcs. (delivery on request)

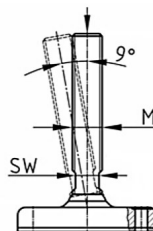


**890540**

leveling glides M20x256mm  
 stainless steel 304/A2 polished  
 with foot (304/A2) ø80mm with black rubber  
 foot with 2x round holes ø8,4mm  
 for fixing to the floor  
 foot high 10mm, thread 230mm, total high 256mm  
 with opening for wrench 17mm  
 max. loading 3000 Kg/Pcs., short time 6000 Kg/Pcs.  
 in boxes of 10 Pcs. (delivery on request)

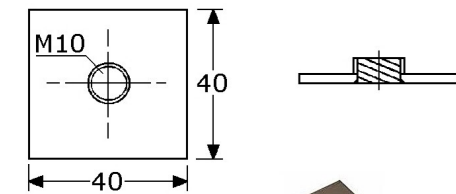


also possible:  
 - like 890540, but stainless steel 316/A4 (890541)



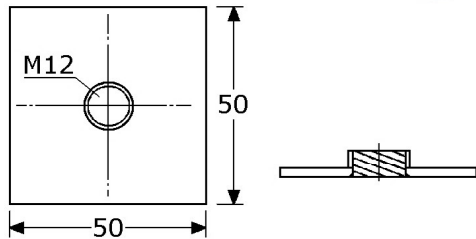
**PIMEX B.V.**  
 Coenecoop 131  
 2741 PJ WADDINXVEEN (NL)  
 Tel. (31) 182 - 61 11 66  
 Email: info@pimex.nl

# THREADED TUBE INSERTS



892210 weld-on plate #40x40x3mm with hole M10 stainless steel 304/A2, for square #40x40mm in boxes of 10 Pcs.

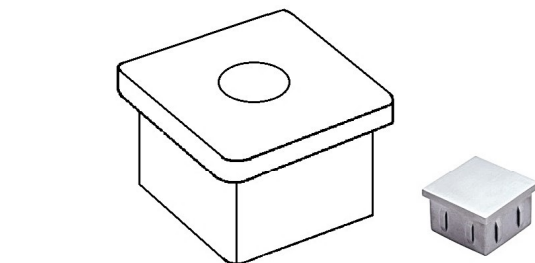
892212 weld-on plate #40x40x3mm with hole M12 stainless steel 304/A2, for square #40x40mm in boxes of 10 Pcs.



892216 weld-on plate #40x40x3mm with hole M16 stainless steel 304/A2, for square #40x40mm in boxes of 10 Pcs.

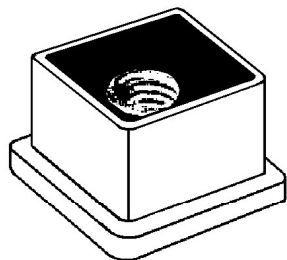
892220 weld-on plate #40x40x4mm with hole M20 stainless steel 304/A2, for square #40x40mm in boxes of 10 Pcs.

892222 weld-on plate #50x50x3mm with hole M12 stainless steel 304/A2, for square #50x50mm in boxes of 10 Pcs.



892243 threaded tube inserts #40x40mm with hole M10 stainless steel 316/A4 satin polished highness 5mm, for square #40x40x2mm in boxes of 30 Pcs. (delivery on request)

892440 tube inserts #40x40mm without hole stainless steel 316/A4 satin polished highness 5mm, for square #40x40x2mm in boxes of 10 Pcs.

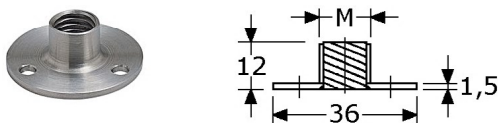


892253 threaded tube inserts #50x50mm with hole M10 stainless steel 316/A4 satin polished highness 5mm, for square #50x50x2mm in boxes of 30 Pcs. (delivery on request)

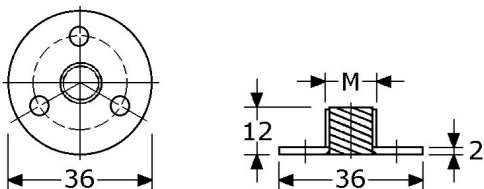
892255 threaded tube inserts #50x50mm with hole M12 stainless steel 316/A4 satin polished highness 5mm, for square #50x50x2mm in boxes of 30 Pcs. (delivery on request)



892450 tube inserts #50x50mm without hole stainless steel 316/A4 satin polished highness 5mm, for square #50x50x2mm in boxes of 10 Pcs.



892272 screw-on base plate  $\varnothing 36 \times 1,5$ mm with hole M10 stainless steel 304/1.4301 highness 12mm, with 3x screw holes  $\varnothing 4,2$ mm in boxes of 10 Pcs.

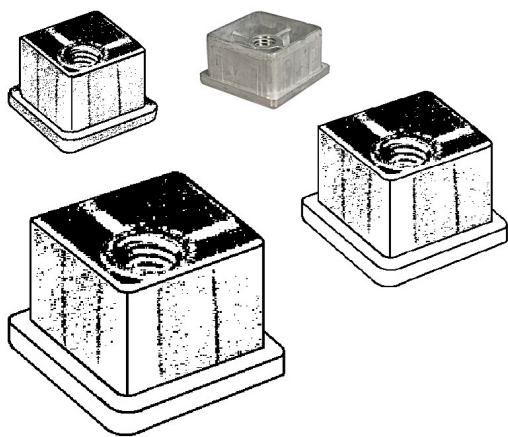


892273 screw-on base plate  $\varnothing 36 \times 2$ mm with hole M12 stainless steel 304/1.4301 highness 12mm, with 3x screw holes  $\varnothing 4,2$ mm in boxes of 10 Pcs.



**PIMEX B.V.**  
Coenecoop 131  
2741 PJ WADDINXVEEN (NL)  
Tel. (31) 182 - 61 11 66  
Email: info@pimex.nl

# THREADED TUBE INSERTS



892602 threaded tube inserts #25x25mm with hole M10 zinc nickel plated, for square #25x25x1,5mm in boxes of 100 Pcs.

892603 threaded tube inserts #30x30mm with hole M10 zinc nickel plated, for square #30x30x2mm in boxes of 100 Pcs.

892606 threaded tube inserts #40x40mm with hole M10 zinc nickel plated, for square #40x40x2mm in boxes of 100 Pcs.



892802 threaded tube inserts #25x25mm with hole M10 black polyamid, for square #25x25x1-2mm in boxes of 100 Pcs.

892803 threaded tube inserts #30x30mm with hole M10 black polyamid, for square #30x30x1-2mm in boxes of 100 Pcs.

892807 threaded tube inserts #35x35mm with hole M10 black polyamid, for square #35x35x1-2mm in boxes of 100 Pcs.



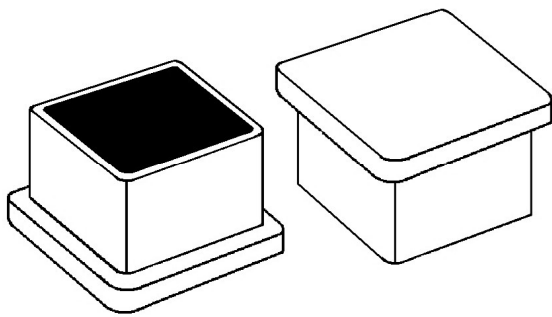
892155 adjustable feet with M16x60mm black polyamid with injected thread with tube inserts for square #25x25x1,5-2mm highness 60mm, max. loading 150 Kg with octagonal foot for wrench 24mm in boxes of 250 Pcs. (delivery on request)

892166 adjustable feet with M22x60mm black polyamid with injected thread with tube inserts for square #30x30x1,5-2mm highness 60mm, max. loading 300 Kg with octagonal foot for wrench 28mm in boxes of 250 Pcs. (delivery on request)



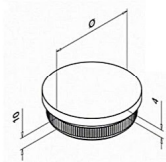
**PIMEX B.V.**  
Coenecoop 131  
2741 PJ WADDINXVEEN (NL)  
Tel. (31) 182 - 61 11 66  
Email: info@pimex.nl

# TUBE INSERTS



**892440** tube inserts #40x40mm without hole stainless steel 316/A4 satin polished highness 5mm, for square #40x40x2mm in boxes of 10 Pcs.

**892450** tube inserts #50x50mm without hole stainless steel 316/A4 satin polished highness 5mm, for square #50x50x2mm in boxes of 10 Pcs.



**892415** tube inserts ø33,7mm without hole stainless steel 316/A4 satin polished highness 4mm, for tube ø33,7x2mm in boxes of 10 Pcs. (delivery on request)



**893063** tube decorative inserts #30x30mm without hole black polyamid chrome plated for square #30x30x1-2mm in boxes of 50 Pcs.



**893801** tube inserts #20x20mm without hole black polyamid, for square #20x20x1-3mm in boxes of 500 Pcs.



**893802** tube inserts #25x25mm without hole black polyamid, for square #25x25x1-2,5mm in boxes of 500 Pcs.



**893803** tube inserts #30x30mm without hole black polyamid, for square #30x30x1-2,5mm in boxes of 500 Pcs.

**893804** tube inserts #40x40mm without hole black polyamid, for square #40x40x1-2,5mm in boxes of 500 Pcs.

other measures on request



**893814** tube inserts 40x20mm without hole black polyamid, for 40x20x1-2,5mm in boxes of 100 Pcs.

**893819** tube inserts 50x25mm without hole black polyamid, for 50x25x1-2,5mm in boxes of 100 Pcs.



**893875** tube inserts 30x15mm without hole black polyamid, for oval profile 30x15mm (for oval ALU profile 877502, see page GY-874b) in boxes of 100 Pcs.



**PIMEX B.V.**  
Coenecoop 131  
2741 PJ WADDINXVEEN (NL)  
Tel. (31) 182 - 61 11 66  
Email: info@pimex.nl