

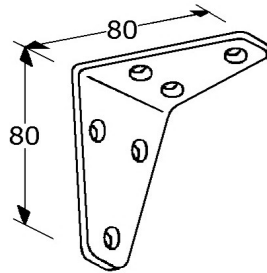
287245

angle brackets 56x56x35x4mm
stainless steel 304/A2 mirror polished
tapped, nice finish, 1th quality
with 3+3 countersunk screwholes (3,5/4mm)
in boxes of 10 Pcs.

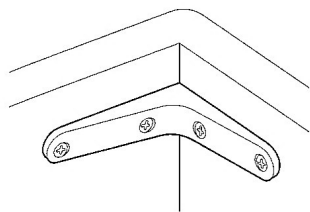


287247

angle brackets 80x80x50x4mm
stainless steel 304/A2 mirror polished
tapped, nice finish, 1th quality
with 3+3 countersunk screwholes (3,5/4mm)
in boxes of 10 Pcs. (delivery on request)

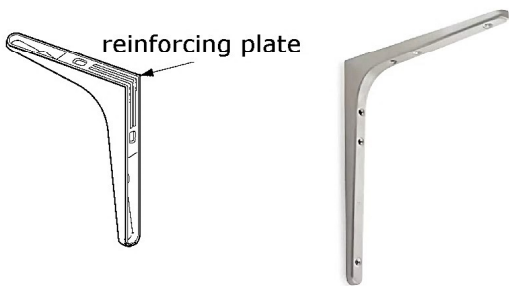


for more angle brackets in stainless steel,
see page GY-207 (group 02)



881223

brackets 100x120x15mm
stainless steel 304/A2 satin polished
rounded narrow version, 1th quality
backside reinforcing plate strengthens bracket
load capacity 20 Kg/Pcs.
with 2+2 countersunk screwholes (4mm)
in boxes of 20 Pcs.

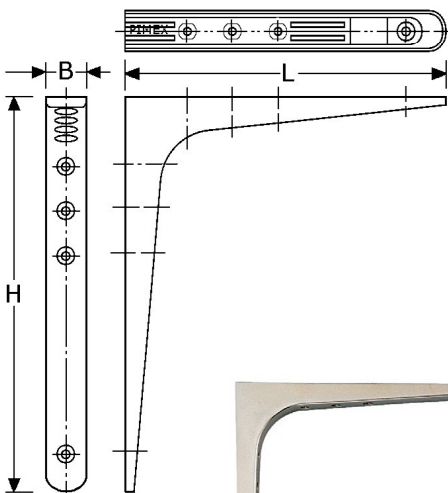


881224

brackets 150x180x15mm
stainless steel 304/A2 satin polished
rounded narrow version, 1th quality
backside reinforcing plate strengthens bracket
load capacity 25 Kg/Pcs.
with 3+3 countersunk screwholes (4mm)
in boxes of 20 Pcs.

881226

brackets 200x240x18mm
stainless steel 304/A2 satin polished
rounded narrow version, 1th quality
backside reinforcing plate strengthens bracket
load capacity 28 Kg/Pcs.
with 3+3 countersunk screwholes (4mm)
in boxes of 10 Pcs.



881227

brackets 240x300x18mm
stainless steel 304/A2 satin polished
rounded narrow version, 1th quality
backside reinforcing plate strengthens bracket
load capacity 35 Kg/Pcs.
with 3+3 countersunk screwholes (4mm)
in boxes of 10 Pcs.

881228

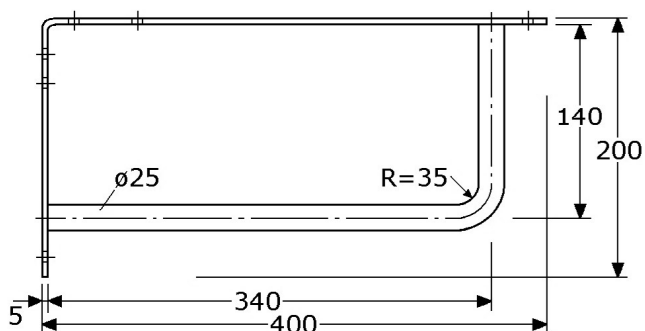
brackets 320x380x23mm
stainless steel 304/A2 satin polished
rounded narrow version, 1th quality
backside reinforcing plate strengthens bracket
load capacity 65 Kg/Pcs.
with 4+4 countersunk screwholes (4mm)
in boxes of 10 Pcs. (delivery on request)

for stainless steel brackets for 150/200 Kg,
see page GY-882



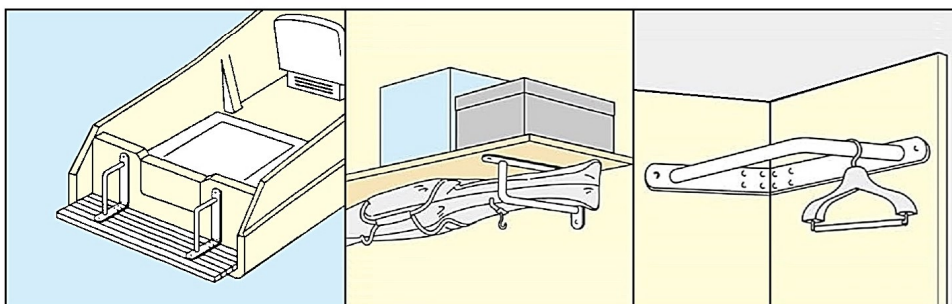
PIMEX B.V.
Coenecoop 131
2741 PJ WADDINXVEEN (NL)
Tel. (31) 182 - 61 11 66
Email: info@pimex.nl

880234

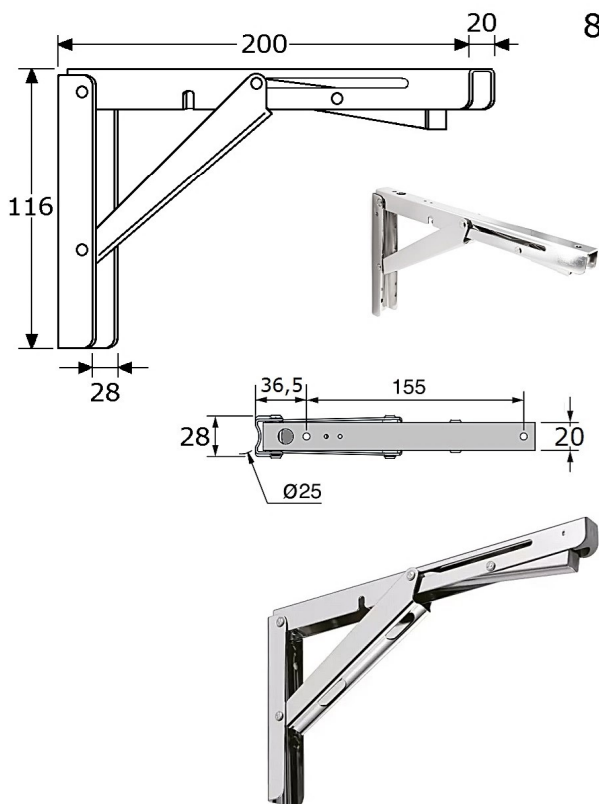


brackets 200x400mm
 stainless steel 304/A2 mirror polished
 material 5mm, 1th quality
 with nice cranked tube ø25mm
 ### universal bracket for horizontal, vertical,
 standing, hanging, corner or side wall mounting;
 as a handle, railing, rod or support;
 for stainless steel coat hangers ###
 load capacity 50 Kg/Pcs.
 with 5+5 screwholes ø5,5mm
 packing: 2 Pcs. (delivery on request)

for stainless steel coat hangers,
 see page GY-872/873



881277



folding bracket 116x200mm
 stainless steel 304/A2 electro polished
 bracket with hinge function in one unit
 width 20/28mm, thickness in flat position 29mm
 U-profile of 1,4mm thickness
 front U-profile with grey plastic tube inserts
 load capacity 175 Kg/pair
 blocking in hook 90°, automatically locking
 mounting for rod ø25mm or for
 flat wall mounting (with grey plastic strip)
 with 2+2 screwholes ø4,9mm
 packing: 2 Pcs.

to open:
 press lever to release the lock function,
 the folding bracketing should be falling down

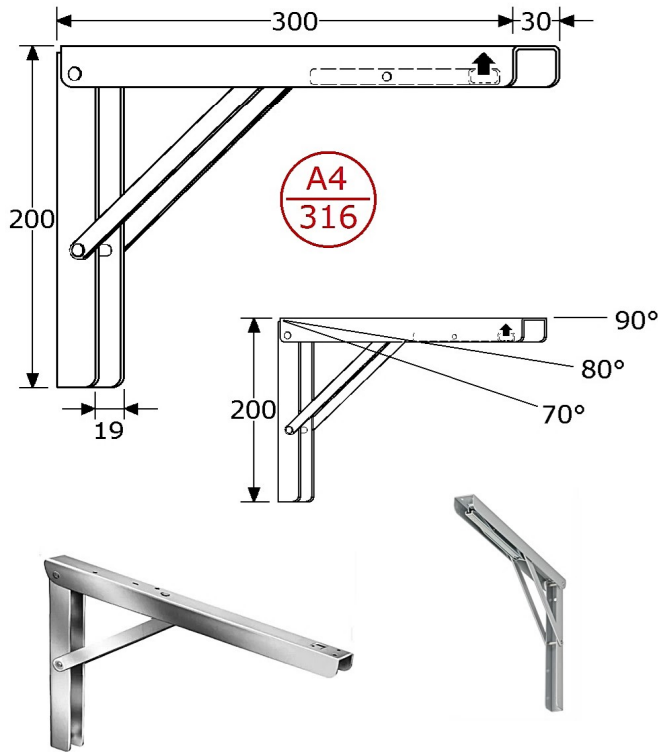
to bring back in bracket position:
 press the folding bracket up,
 it should be locked automatically

for example:
 for (temporary) folding table, drop-leaf table
 (no hinges needed)



PIMEX B.V.
 Coenecoop 131
 2741 PJ WADDINXVEEN (NL)
 Tel. (31) 182 - 61 11 66
 Email: info@pimex.nl

881271



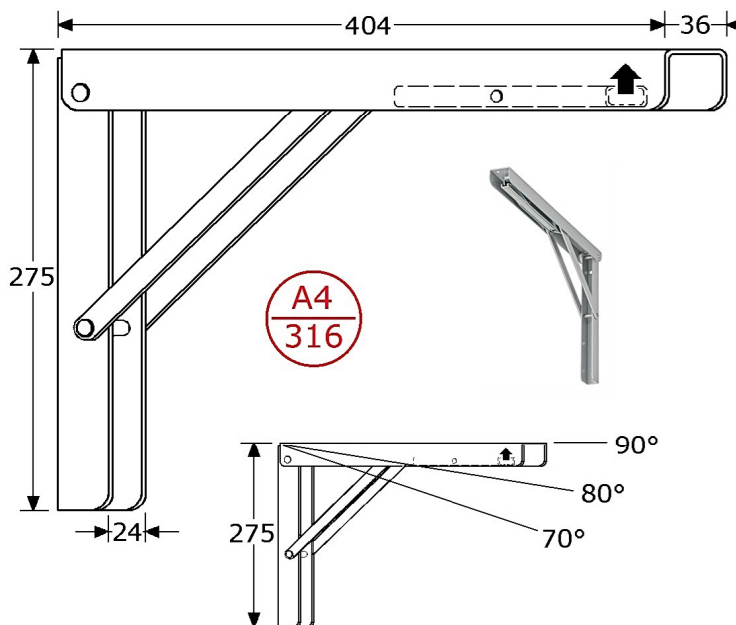
folding bracket 200x300mm
 stainless steel 316/A4 electro polished
 bracket with hinge function in one unit
 width 19/30mm, thickness in flat position 23mm
 U-profile of 1,5mm thickness, wall mounting
 load capacity 150 Kg/pair
 blocking in 3 positions, automatically locks:
 hook 70°, hook 80°, hook 90°
 with 4 holes \varnothing 4,4mm and 4 holes \varnothing 5,1mm
 packing: 2 Pcs.

to open:
 press lever to release the lock function,
 the folding bracking should be falling down

to bring back in bracket position:
 press the folding bracket up,
 it should be locked automatically

for example:
 for (temporary) folding table, drop-leaf table
 (no hinges needed)

881273



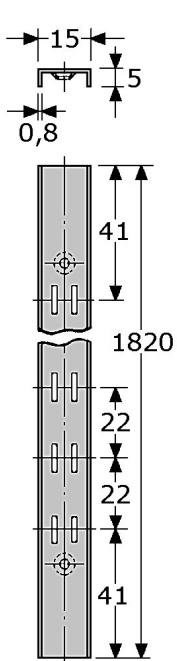
folding bracket 275x404mm
 stainless steel 316/A4 electro polished
 bracket with hinge function in one unit
 width 24/36mm, thickness in flat position 33mm
 U-profile of 2mm, wall mounting
 load capacity 200 Kg/pair, heavy duty
 blocking in 3 positions, automatically locks:
 hook 70°, hook 80°, hook 90°
 with 4+4 round screwholes \varnothing 5,5mm
 packing: 2 Pcs.

to open:
 press lever to release the lock function,
 the folding bracking should be falling down

to bring back in bracket position:
 press the folding bracket up,
 it should be locked automatically



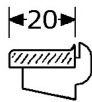
PIMEX B.V.
 Coenecoop 131
 2741 PJ WADDINXVEEN (NL)
 Tel. (31) 182 - 61 11 66
 Email: info@pimex.nl



cabinet shelf standard, length 1820mm
 stainless steel 304/A2 satin polished
 U-profile 15x5mm, thickness 0,8mm
 height adjustment every 22mm
 surface mounting in (display) cabinets
 plate must be on 4 shelf supports
 for easy use marked with numbers "123456789"

884281

cabinet shelf standard, length 1820mm
 stainless steel 304/A2 satin polished
 U-profile 15x5mm, thickness 0,8mm
 surface mounting in (display) cabinets
 packing: 80 Pcs.



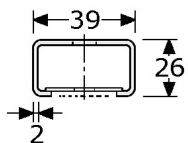
884282

shelf support for cabinet shelf standard 884281
 stainless steel 304/A2 satin polished
 length 20mm, with black rubber
 packing: 100 Pcs.



884283

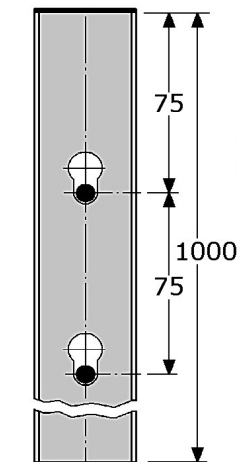
shelf support for cabinet shelf standard 884281
 stainless steel 304/A2 satin polished
 length 20mm, with black rubber
 with stainless steel holder for glass 4-8mm
 packing: 100 Pcs.



heavy duty shelf standard, length 1000mm
 stainless steel 304/A2 satin polished
 height adjustment every 75mm
 surface wall mounting
 for shelf brackets 300mm and 400mm

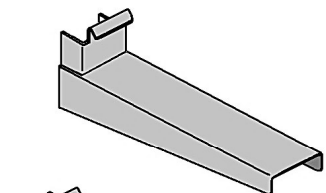
883252

heavy duty shelf standard, length 1000mm
 stainless steel 304/A2 satin polished
 C-profile 39x26x2mm, thickness 2mm
 (backside with 2x welded plate with hole ø8,5mm)
 each profile end with black polyamid tube inserts
 height adjustment every 75mm
 surface wall mounting
 packing: 2 Pcs.



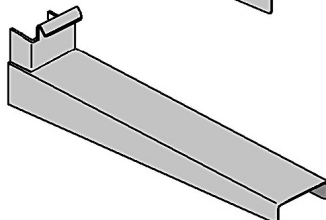
883253

shelf bracket for heavy duty shelf standard 883252
 stainless steel 304/A2 satin polished
 length 300mm, width 46mm
 heavy duty U-type, thickness 1,5mm
 load capacity 30 Kg/Pcs.



883254

shelf bracket for heavy duty shelf standard 883252
 stainless steel 304/A2 satin polished
 length 400mm, width 46mm
 heavy duty U-type, thickness 1,5mm
 load capacity 30 Kg/Pcs.



PIMEX B.V.
 Coenecoop 131
 2741 PJ WADDINXVEEN (NL)
 Tel. (31) 182 - 61 11 66
 Email: info@pimex.nl