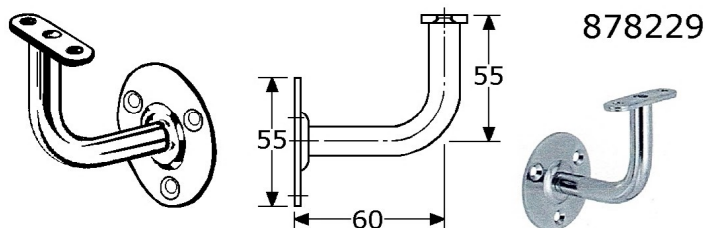


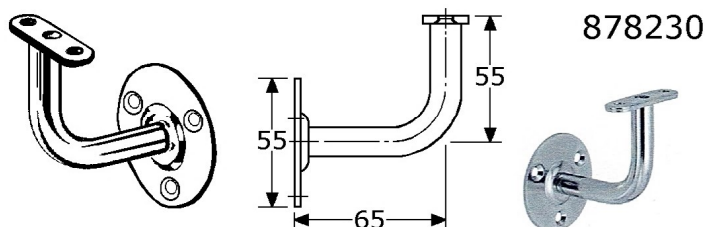
**878221**

handrail bracket for tube  $\varnothing 40-50\text{mm}$   
 stainless steel 304/A2 satin polished  
 distance wall - centre 75mm  
 material/support  $\varnothing 12\text{mm}$   
 unvisible mounting with self-clamping rose  $\varnothing 58\text{mm}$   
 rose  $\varnothing 55\text{mm}$  with 3 countersunk holes (4,5/5mm)  
 in boxes of 12 Pcs.



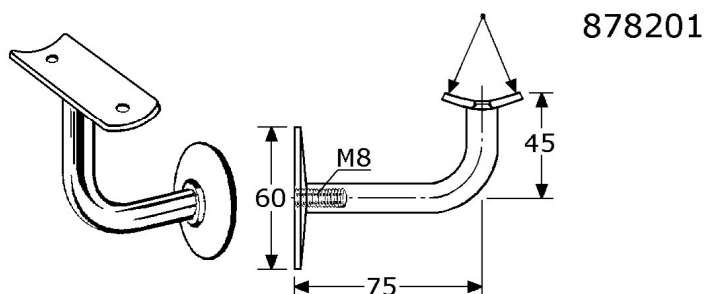
**878229**

handrail bracket with flat fixing plate 15mm  
 stainless steel 304/A2 mirror polished  
 distance wall - centre 60mm  
 material/support  $\varnothing 12\text{mm}$   
 rose  $\varnothing 55\text{mm}$  with 3 countersunk holes (4,5/5mm)  
 in boxes of 12 Pcs.



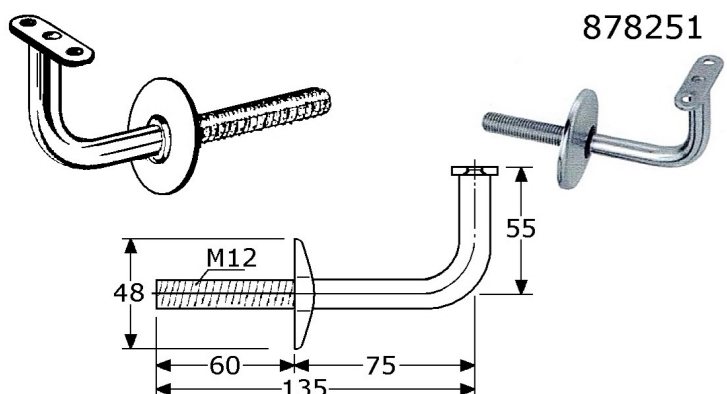
**878230**

handrail bracket with flat fixing plate 15mm  
 stainless steel 304/A2 satin polished  
 distance wall - centre 65mm  
 material/support  $\varnothing 12\text{mm}$   
 rose  $\varnothing 55\text{mm}$  with 3 countersunk holes (4,5/5mm)  
 in boxes of 12 Pcs.



**878201**

handrail bracket for tube  $\varnothing 40-50\text{mm}$   
 stainless steel 304/A2 satin polished  
 distance wall - centre 75mm  
 material/support  $\varnothing 12\text{mm}$   
 unvisible mounting, backside with hole M8  
 with wall rose  $\varnothing 60\text{mm}$  without screwholes  
 in boxes of 100 Pcs. (delivery on request)



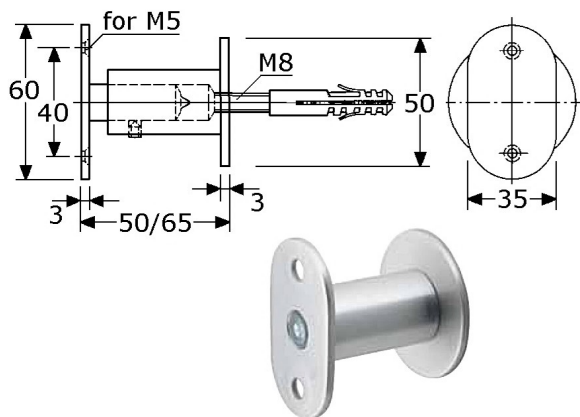
**878251**

handrail bracket with flat fixing plate 15mm  
 stainless steel 304/A2 satin polished  
 distance wall - centre 50-75mm  
 material/support  $\varnothing 12\text{mm}$   
 unvisible mounting, with threaded bolt M12x60  
 with self-clamping rose  $\varnothing 48\text{mm}$  (without screwholes)  
 in boxes of 100 Pcs. (delivery on request)

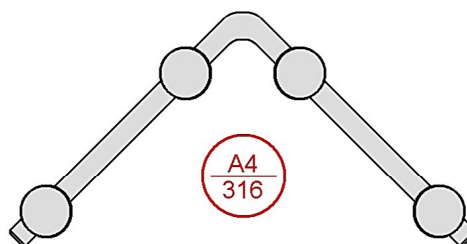


**PIMEX B.V.**  
 Coenecoop 131  
 2741 PJ WADDINXVEEN (NL)  
 Tel. (31) 182 - 61 11 66  
 Email: info@pimex.nl

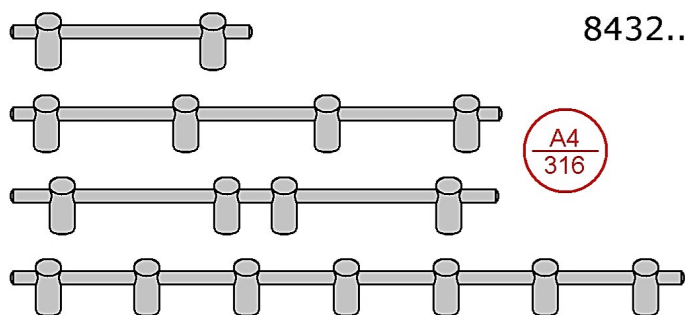
**878283**



handrail bracket for side mounting  
 stainless steel 304/A2 satin polished  
 adjustable distance 50-65mm  
 base/body ø25mm  
 oval rose 50x35mm with 2 countersunk holes  
 wall rose ø50x3mm with hole M8  
 in boxes of 10 Pcs. (delivery on request)

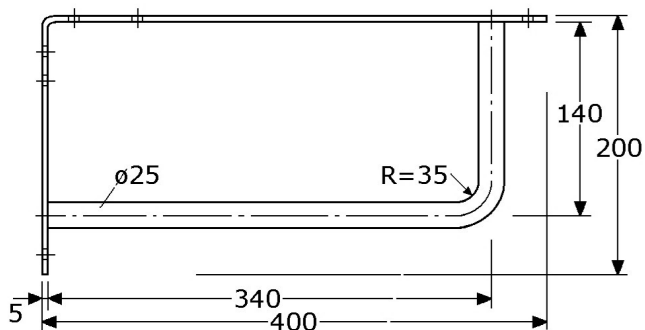


**8432..**



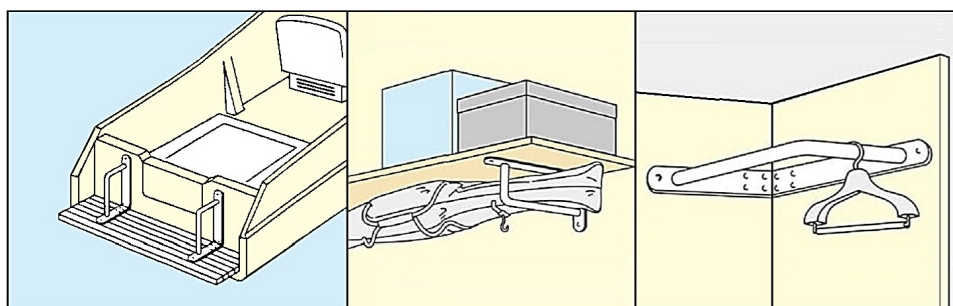
PIWAX long handles/rails  
 stainless steel 316 satin polished  
 with PIWAX bases SS-316 ø18mm  
 with different PIWAX rods ø8mm  
 (in stock: 280, 450, 700, 1000 and 1500mm;  
 other measures on request)  
 see page GY-843

**880234**

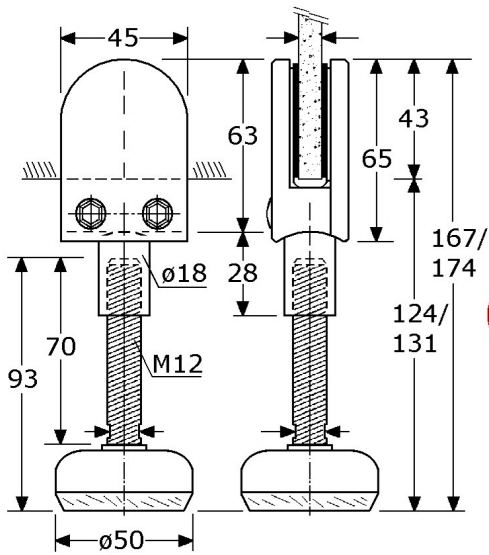


brackets 200x400mm  
 stainless steel 304/A2 mirror polished  
 material 5mm, 1th quality  
 with nice cranked tube ø25mm  
 ### universal bracket for horizontal, vertical,  
 standing, hanging, corner or side wall mounting;  
 as a handle, railing, rod or support;  
 for stainless steel coat hangers ###  
 load capacity 50 Kg/Pcs.  
 with 5+5 screwholes ø5,5mm  
 packing: 2 Pcs. (delivery on request)

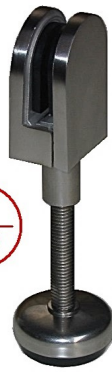
for stainless steel coat hangers,  
 see page GY-872/873



**PIMEX B.V.**  
 Coenecoop 131  
 2741 PJ WADDINXVEEN (NL)  
 Tel. (31) 182 - 61 11 66  
 Email: info@pimex.nl



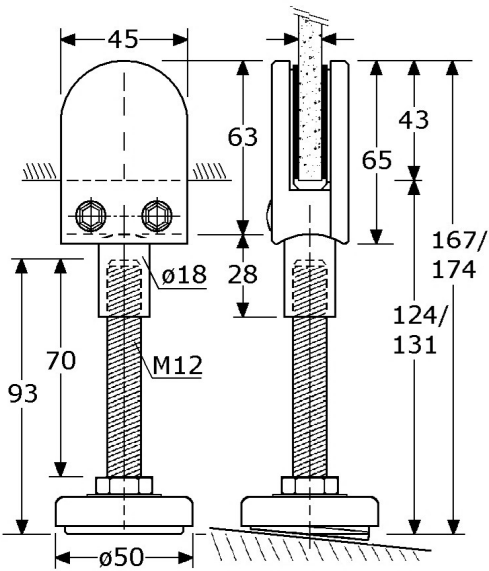
879205



A4  
316

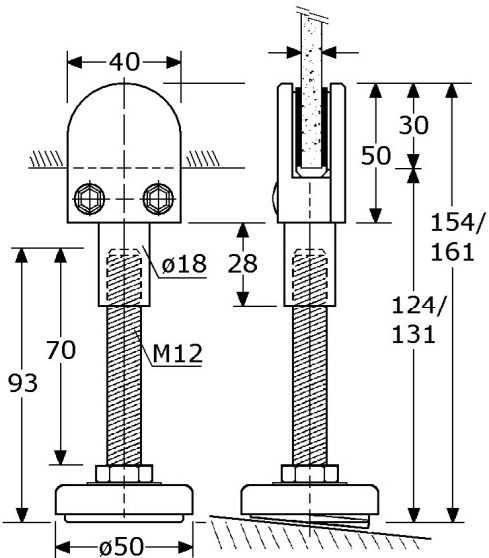
A4  
316

PIROSTA floor panel holder, adjustable M12 stainless steel 316/A4 polished foot stainless steel 316/A4  $\phi$ 50mm with black rubber total high 167/174mm, opening 124/131mm ### modern design, totally S.S.-316/A4 ### rounded clamp 65x45mm for 6-10mm glass/plate with black rubber packing for 6-8-10mm glass standard useful for maximum 13mm TRESPA-plate in boxes of 10 Pcs.



879215

PIROSTA floor panel holder, adjustable M12 stainless steel 304/A2 satin polished flexible foot complete stainless steel 304/A2  $\phi$ 50mm total high 167/174mm, opening 124/131mm ### modern design, complete stainless steel ### rounded clamp 65x45mm for 6-10mm glass/plate with black rubber packing for 6-8-10mm glass standard useful for maximum 13mm TRESPA-plate in boxes of 10 Pcs.



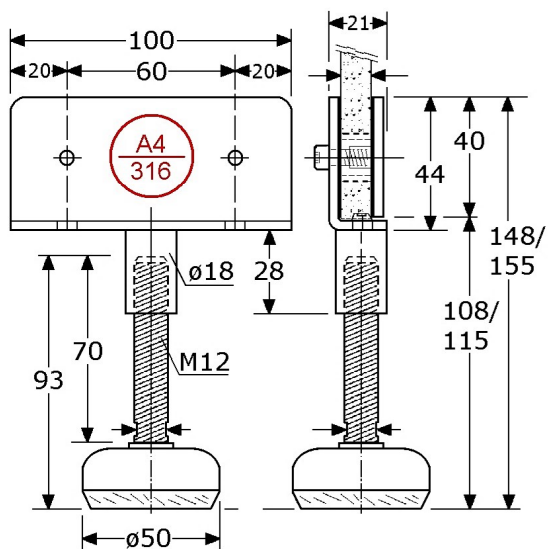
879265

PIROSTA floor panel holder, adjustable M12 stainless steel 304/A2 satin polished flexible foot complete stainless steel 304/A2  $\phi$ 50mm total high 154/161mm, opening 124/131mm ### modern design, complete stainless steel ### rounded clamp 50x45mm for 6-10mm glass/plate with black rubber packing for 6-8-10mm glass standard useful for maximum 12mm TRESPA-plate in boxes of 10 Pcs.



PIMEX B.V.  
Coenecoop 131  
2741 PJ WADDINXVEEN (NL)  
Tel. (31) 182 - 61 11 66  
Email: info@pimex.nl

**FLOOR PANEL HOLDER , stainless steel**

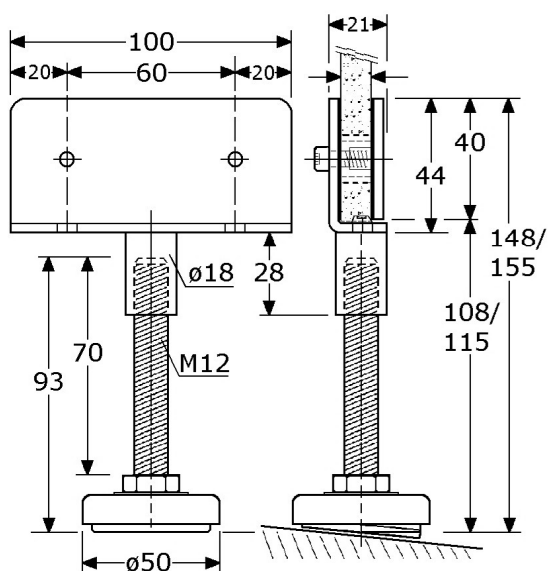


**879222** PIROSTA floor panel holder, adjustable M12 stainless steel 316/A4 polished foot stainless steel 316/A4 ø50mm with black rubber total high 148/155mm, opening 108/115mm ### modern design, totally S.S.-316/A4 ### clamp 100x44x3mm for 8mm glass/plate (Trespa) with 8 black rubber packing of 1 mm in boxes of 10 Pcs.



**879223** like 879222, but with clamp for 10mm glass/plate with 6 black rubber packing of 1mm in boxes of 10 Pcs.

**879224** like 879222, but with clamp for 12mm glass/plate with 4 black rubber packing of 1mm in boxes of 10 Pcs.



**879232** PIROSTA floor panel holder, adjustable M12 stainless steel 304/A2 satin polished foot stainless steel 304/A2 ø50mm with black rubber total high 148/155mm, opening 108/115mm ### modern design, complete stainless steel ### clamp 100x44x3mm for 8mm glass/plate (Trespa) with 8 black rubber packing of 1 mm in boxes of 10 Pcs.

**879233** like 879232, but with clamp for 10mm glass/plate with 6 black rubber packing of 1mm in boxes of 10 Pcs.

**879234** like 879232, but with clamp for 12mm glass/plate with 4 black rubber packing of 1mm in boxes of 10 Pcs.



glass clamp for tube ø50mm stainless steel 316/A4 satin polished (type 896215) see page GY-895a



glass clamp 55x55mm stainless steel 316/A4 satin polished (type 896221) see page GY-895b



glass clamp 100x40mm stainless steel 316/A4 satin polished (type 897241) see page GY-896b



**PIMEX B.V.**  
Coenecoop 131  
2741 PJ WADDINXVEEN (NL)  
Tel. (31) 182 - 61 11 66  
Email: info@pimex.nl