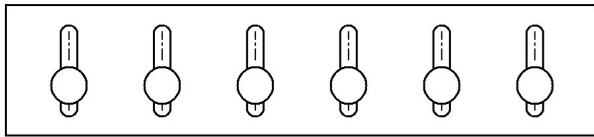
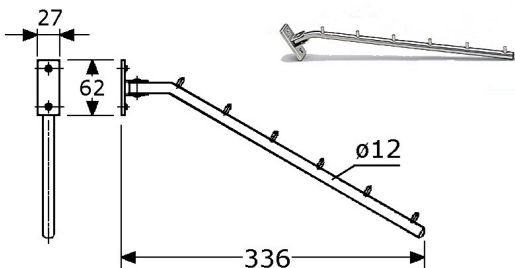


843266

PIWAX knob/hook
 stainless steel 316/A4 satin polished
 with hook SS-316/A4 $\varnothing 8 \times 45$ mm rounded
 with base SS-316/A4 $\varnothing 18$ mm
 total highness 28mm
 ### flexible & adjustable ###
 unvisable mounting from backside M6
 first hexagon socket set screw M6, than screw M6
 in boxes of 20 Pcs.

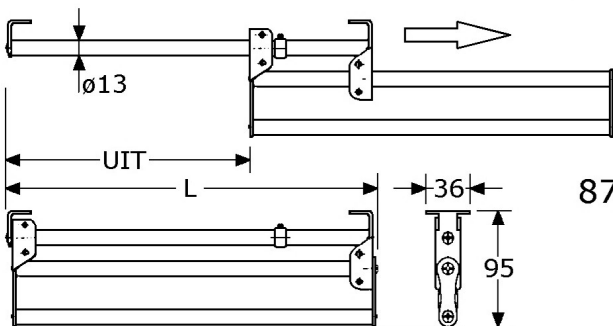


with these PIWAX knobs/hooks you can also
 make a coat rack or key rack
 out of stainless steel;
 see also information on page GY-843 and GY-860



874212

swinging hanger
 stainless steel 304/A2 satin polished
 with rod $\varnothing 12$ mm for swinging 180°
 length 336mm, for maximum loading 3 Kg
 with 30° waterfall/sloping arm with 6 nocks
 for shop presentation, towels, etc.
 plate 27x62mm with 2 countersunk screwholes
 in boxes of 10 Pcs. (delivery on request)



874236

extension coat hanger
 stainless steel 304/A2 satin polished
 length 330mm, extension 215mm
 with rods $\varnothing 13$ mm, highness 95mm
 for wardrobe preparation or drying hanger rod
 in boxes of 5 Pcs.



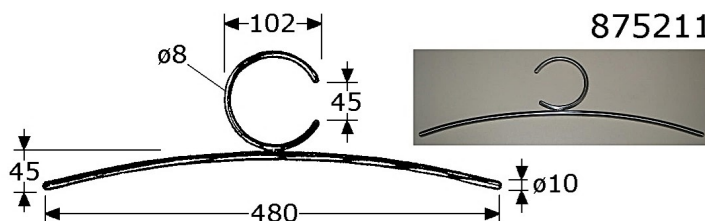
874237

extension coat hanger
 stainless steel 304/A2 satin polished
 length 360mm, extension 238mm
 with rods $\varnothing 13$ mm, highness 95mm
 for wardrobe preparation or drying hanger rod
 in boxes of 5 Pcs.



874238

extension coat hanger
 stainless steel 304/A2 satin polished
 length 400mm, extension 265mm
 with rods $\varnothing 13$ mm, highness 95mm
 for wardrobe preparation or drying hanger rod
 in boxes of 5 Pcs.

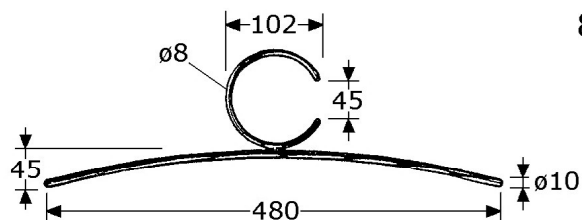


875211

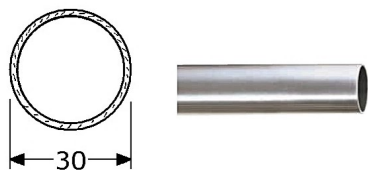
coat hanger with widthness 480mm
 stainless steel 304/A2 satin polished
 ### strong & economical type ###
 out of massive rod $\varnothing 10$ mm
 with welded open eye $\varnothing 102 \times 8$ mm
 with opening 45mm, for use with tube $\varnothing 30$ mm
 in boxes of 25 Pcs.



PIMEX B.V.
 Coenecoop 131
 2741 PJ WADDINXVEEN (NL)
 Tel. (31) 182 - 61 11 66
 Email: info@pimex.nl



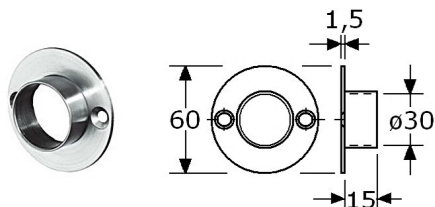
875211 coat hanger with widthness 480mm
 stainless steel 304/A2 satin polished
 ### strong & economical type ###
 out of massive rod \varnothing 10mm
 with welded open eye \varnothing 102x8mm
 with opening 45mm, for use with tube \varnothing 30mm
 in boxes of 25 Pcs.



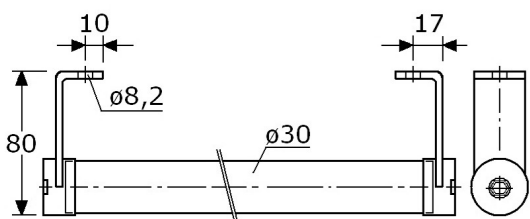
875230 tube \varnothing 30mm for tube handles/rail \varnothing 30x1,5mm
 stainless steel 304/A2 satin polished
 thickness 1,5mm, nice finish
 on standard lengths of 3 meter
 without brackets (brackets to be ordered separately)



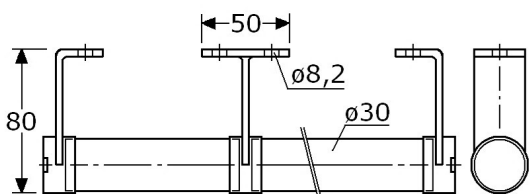
875231 tube \varnothing 30mm for tube handles/rail \varnothing 30x1,5mm
 stainless steel 304/A2 satin polished
 thickness 1,5mm, nice finish
 on different available lengths, like 1,5 meter
 without brackets (brackets to be ordered separately)



875234 wardrobe roses for tube handles/rail \varnothing 30mm
 stainless steel 304/A2 satin polished
 outside \varnothing 60mm, material 1,5mm
 with highness 15mm
 with 2 countersunk screwholes c.t.c. 4.8mm
 in boxes of 6 Pcs.



875238 end brackets for tube handles/rail \varnothing 30x1,5mm
 stainless steel 304/A2 satin polished
 surface mounting, total highness 80mm
 mounting plate 27x32mm, no left or right
 fixing from side with hexagon socket head screw
 plate with 1x round screwhole \varnothing 8,2mm
 in boxes of 6 Pcs.



875239 middle brackets for tube handles/rail \varnothing 30x1,5mm
 stainless steel 304/A2 satin polished
 surface mounting, total highness 80mm
 mounting plate 50x32mm
 ### for mounting 2x tube \varnothing 30mm ###
 plate with 2x round screwholes \varnothing 8,2mm
 in boxes of 6 Pcs.

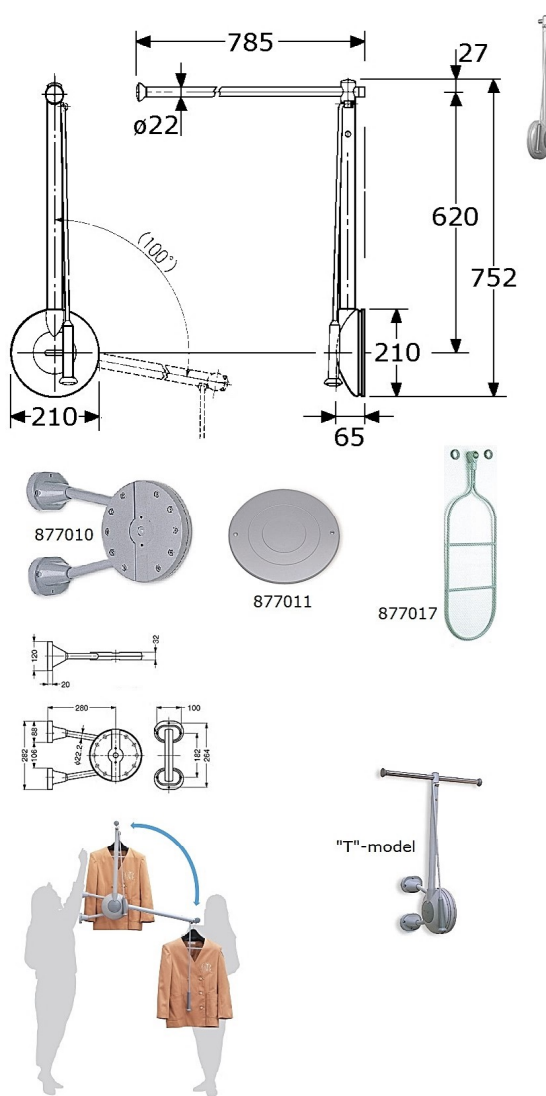


more possibilities: (delivery on request)



PIMEX B.V.
 Coenecoop 131
 2741 PJ WADDINXVEEN (NL)
 Tel. (31) 182 - 61 11 66
 Email: info@pimex.nl

WARDROBE SYSTEM



877001

Tallman innovative lifthanger for single use, left grey steel+plastic, pull down system (TAS-L/G) side mounting, with steel nickel rod $\varnothing 22 \times 785 \text{mm}$ (for back wall use, order 877010 separately)

877002

Tallman innovative lifthanger for single use, right grey steel+plastic, pull down system (TAS-R/G) side mounting, with steel nickel rod $\varnothing 22 \times 785 \text{mm}$ (for back wall use, order 877010 separately)

877010

Tallman bracket for back wall mounting (TAB/G) grey steel, highness 280mm, with 3+3 screwholes for Tallman lifthanger with mounting plate $\varnothing 210 \text{mm}$

877011

Tallman cover for bracket (TAC/G) grey steel, diameter $\varnothing 203 \text{mm}$, with 2 screwholes

877017

Tallman side-guard for rod $\varnothing 22 \text{mm}$ (TAG/G) grey steel, length 625mm (for ties, towels, etc.)

877021

Tallman lower hanging support for under lifthanger with steel nickel rod $\varnothing 22 \times 785 \text{mm}$ (TAH-800/G) with 1x grey steel under bracket for single use under Tallman bracket 877010

877031

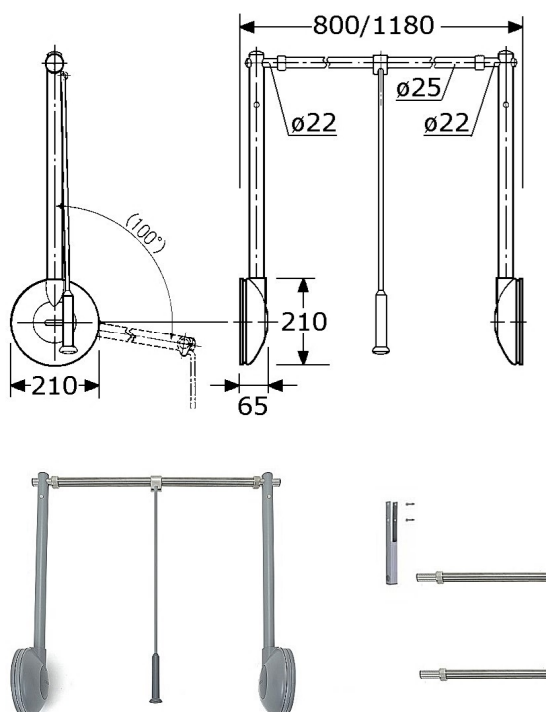
Tallman steel nickel rod $\varnothing 22 \times 785 \text{mm}$

877045

Tallman rod insert with collar, for rod $\varnothing 22 \text{mm}$ grey plastic, to make from TAS a "T"-model TAT

877102

Tallman innovative lifthanger for single use, right beige steel+plastic, pull down system (TAS-R/U) side mounting, with steel nickel rod $\varnothing 22 \times 785 \text{mm}$ (for back wall use, order 877110 separately)



877008

Tallman innovative lifthanger for "double" use grey steel+plastic, pull down system (TAW/G) side mounting, with nickel rod $\varnothing 22 \times 800-1180 \text{mm}$ (for back wall use, order 877010 separately)

877010

Tallman bracket for back wall mounting (TAB/G) grey steel, highness 280mm, with 3+3 screwholes for Tallman lifthanger with mounting plate $\varnothing 210 \text{mm}$

877011

Tallman cover for bracket (TAC/G) grey steel, diameter $\varnothing 203 \text{mm}$, with 2 screwholes

877017

Tallman side-guard for rod $\varnothing 22 \text{mm}$ (TAG/G) grey steel, length 625mm (for ties, towels, etc.)

877028

Tallman lower hanging support for under lifthanger with steel nickel rod $\varnothing 22 \times 800-1180 \text{mm}$, adjustable with 2x grey steel under bracket (TAH-1200/G) for "double" use under Tallman bracket 877010

877038

Tallman nickel rod $\varnothing 22 \times 800-1180 \text{mm}$, adjustable

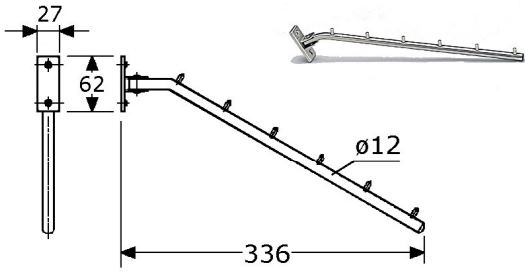


Installation Photos (for example only)



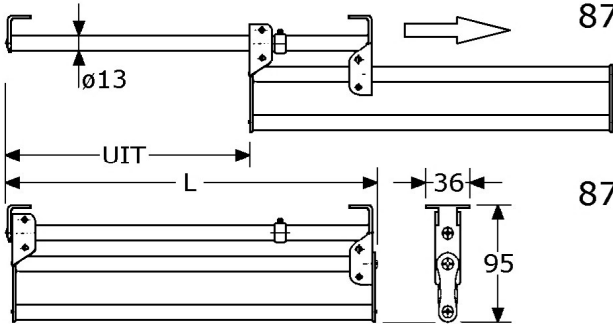
PIMEX B.V.
Coenecoop 131
2741 PJ WADDINXVEEN (NL)
Tel. (31) 182 - 61 11 66
Email: info@pimex.nl

WARDROBE SYSTEM



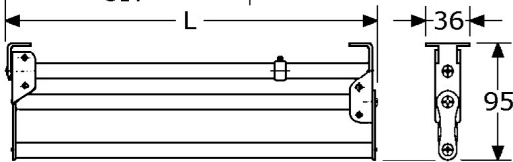
874212

swinging hanger
stainless steel 304/A2 satin polished
with rod $\varnothing 12$ mm for swinging 180°
length 336mm, for maximum loading 3 Kg
with 30° waterfall/sloping arm with 6 nocks
for shop presentation, towels, etc.
plate 27x62mm with 2 countersunk screwholes
in boxes of 10 Pcs. (delivery on request)



874236

extension coat hanger with rods $\varnothing 13$ mm
stainless steel 304/A2 satin polished
length 330mm, extension 215mm, highness 95mm
for wardrobe preparation or drying hanger rod
in boxes of 5 Pcs.



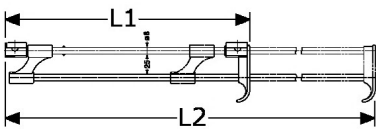
874237

extension coat hanger with rods $\varnothing 13$ mm
stainless steel 304/A2 satin polished
length 360mm, extension 238mm, highness 95mm
for wardrobe preparation or drying hanger rod
in boxes of 5 Pcs.



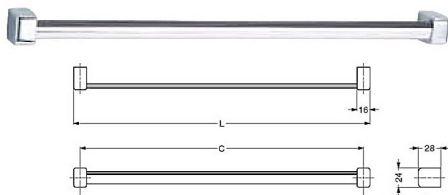
874238

extension coat hanger with rods $\varnothing 13$ mm
stainless steel 304/A2 satin polished
length 400mm, extension 265mm, highness 95mm
for wardrobe preparation or drying hanger rod
in boxes of 5 Pcs.



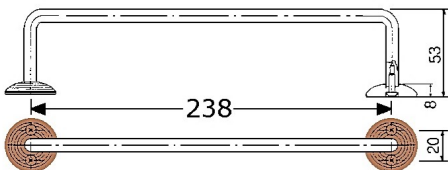
874040

extension coat hanger
steel nickel + black nylon
length 300mm, extension 198mm
with steel nickel rods $\varnothing 8$ mm, max. loading 6 Kg
in boxes of 10 Pcs.



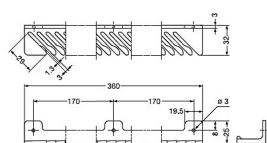
874290

tie rack or towel rack
stainless steel + black rubber cover pad
length 316mm (easy shortable)
distance 28mm, bases zinc alloy nickel plated
unvisible mounting
in boxes of 10 Pcs.
(also in length 416mm = 874292)



874806

tie rack or towel rack
steel chrome + wooden roses $\varnothing 34$ mm
length 238mm
with 2+2 countersunk screwholes
in boxes of 3 Pcs. (discontinued)

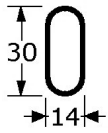


874856

tie rack (TIE-MATE-33)
brown plastic
length 360mm, with 3 screwholes
in boxes of 3 Pcs. (discontinued)



PIMEX B.V.
Coenecoop 131
2741 PJ WADDINXVEEN (NL)
Tel. (31) 182 - 61 11 66
Email: info@pimex.nl

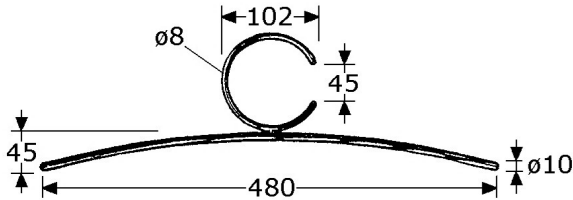


877502 wardrobe oval tube 30x14x2mm
aluminium new-silver
on standard lengths of 5 meter (50 meter)



877514 wardrobe oval tube 30x14x2mm
aluminium new-silver, with special holes on 1 side
for coat hangers with ball point (877524)
on standard lengths of 5 meter (50 meter)

for wardrobe in stainless steel \varnothing 30mm,
see page GY-873



875211 coat hanger with widthness 480mm
stainless steel 304/A2 satin polished
strong & economical type ###
out of massive rod \varnothing 10mm
with welded open eye \varnothing 8x102mm
with opening 45mm, for use with tube \varnothing 30mm
in boxes of 25 Pcs.



877522 coat hanger with widthness 440mm
aluminium new-silver, with black hook
in boxes of 10 Pcs. (delivery on request)



877524 coat hanger with widthness 440mm
aluminium new-silver, with special ball point
for wardrobe with special holes (877514)
in boxes of 10 Pcs. (delivery on request)



877528 coat hook for tube 30x14mm
aluminium new-silver, with 1 hook
high 73mm, width 11mm
in boxes of 20 Pcs.



877670 wardrobe rail support for tube 30x14mm
aluminium new-silver, open type for side mounting
high 50mm, with 2 screwholes
in boxes of 25 Pcs.



877675 wardrobe rail support for tube 30x14mm
aluminium new-silver, closed type for side mounting
high 71mm, with 2 screwholes
in boxes of 25 Pcs.



877790 end stop for tube 30x14mm
aluminium new-silver



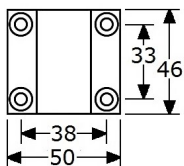
893875 end stop for tube 30x15mm
black polyamid (in boxes of 100 Pcs.)



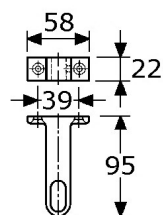
PIMEX B.V.
Coenecoop 131
2741 PJ WADDINXVEEN (NL)
Tel. (31) 182 - 61 11 66
Email: info@pimex.nl



877530 end brackets for tube 30x14mm, closed type aluminium new-silver, distance 55mm high 46mm, width 37mm, with 2 countersunk holes in boxes of 20 Pcs.



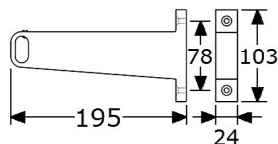
877532 brackets for tube 30x14mm, open type aluminium new-silver, distance 55mm high 46mm, width 50mm, with 4 countersunk holes in boxes of 20 Pcs. (delivery on request)



877690 end brackets for tube 30x14mm, closed type aluminium new-silver, distance 95mm base 58x22mm, for under mounting with 2 countersunk screwholes c.t.c. 39mm in boxes of 10 Pcs. (delivery on request)



877692 brackets for tube 30x14mm, open type aluminium new-silver, distance 95mm base 58x22mm, for under mounting with 2 countersunk screwholes c.t.c. 39mm in boxes of 10 Pcs.



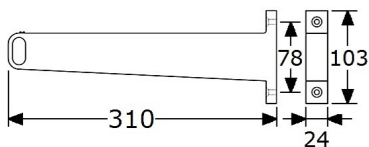
877570 brackets for tube 30x14mm, closed type, left aluminium new-silver, distance 195mm high 103mm, width 24mm, with 2x holes ø8,5mm in boxes of 10 Pcs. (delivery on request)



877571 brackets for tube 30x14mm, closed type, right aluminium new-silver, distance 195mm high 103mm, width 24mm, with 2x holes ø8,5mm in boxes of 10 Pcs. (delivery on request)



877572 brackets for tube 30x14mm, open type aluminium new-silver, distance 195mm high 103mm, width 24mm, with 2x holes ø8,5mm in boxes of 10 Pcs. (delivery on request)



877600 end brackets for tube 30x14mm, closed type, left aluminium new-silver, distance 310mm high 103mm, width 24mm, with 2x holes ø8,5mm in boxes of 10 Pcs. (delivery on request)



877601 end brackets for tube 30x14mm, closed type, right aluminium new-silver, distance 310mm high 103mm, width 24mm, with 2x holes ø8,5mm in boxes of 10 Pcs. (delivery on request)



877602 brackets for tube 30x14mm, open type aluminium new-silver, distance 310mm high 103mm, width 24mm, with 2x holes ø8,5mm in boxes of 10 Pcs. (delivery on request)



PIMEX B.V.
Coenecoop 131
2741 PJ WADDINXVEEN (NL)
Tel. (31) 182 - 61 11 66
Email: info@pimex.nl