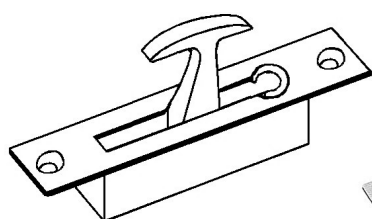
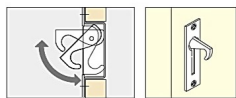
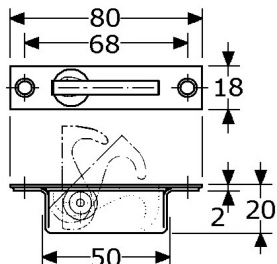


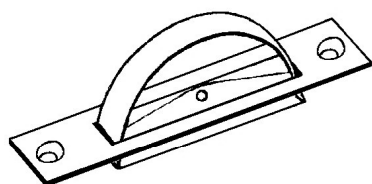
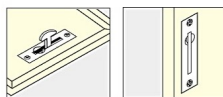
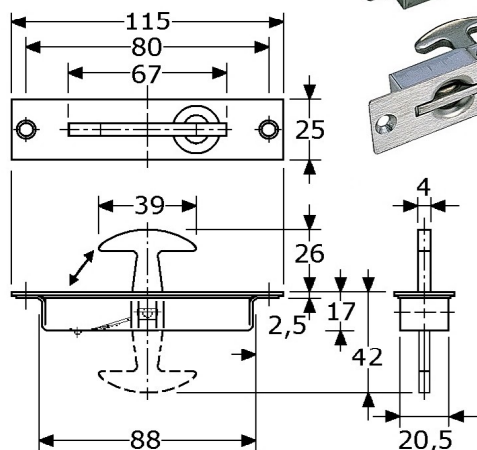
849274

flush lift edge pull 80x18mm
stainless steel 304/A2 satin polished
with falling stainless steel hook
fully flat front plate 80x18x2mm, rectangular
with closed stainless steel case 50x15mm
bore opening 50x15mm, bore depth 2+18=20mm
with 2 countersunk screwholes (3,5/M4)
in boxes of 20 Pcs.



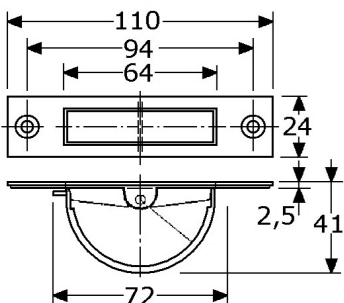
849288

flush lift edge pull 115x25mm
stainless steel 304/A2 satin polished
with falling stainless steel "T"-ring
open position: "T"-ring wanted to stay by spring
fully flat front plate 115x25x2,5mm, rectangular
with closed stainless steel case 88x20,5mm
bore opening 88x20,5mm, bore depth 42mm
with 2 countersunk screwholes (3,5/M4)
in boxes of 20 Pcs.

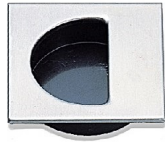
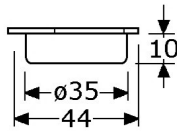
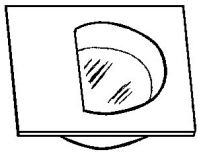


849298

flush lift edge pull 110x24mm
stainless steel 304/A2 satin polished
with falling stainless steel moon ring
open position: moon ring wanted to stay
fully flat front plate 110x24x2,5mm, rectangular
without case
bore opening 72x15mm, bore depth 41mm
with 2 countersunk screwholes (3,5/M4)
in boxes of 20 Pcs.



PIMEX B.V.
Coenecoop 131
2741 PJ WADDINXVEEN (NL)
Tel. (31) 182 - 61 11 66
Email: info@pimex.nl

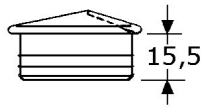
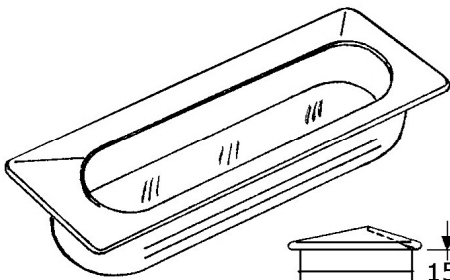


851200

flush pull 44x44mm
stainless steel 304/A2 satin polished
flat square stainless steel front plate
with black PVC body ø35mm
bore opening ø35mm, bore depth 10mm
in boxes of 25 Pcs.

856214

flush pull 75x36mm
stainless steel 304/A2 satin polished
modern stainless steel front plate highness 7mm
with black PVC body 71x30mm
bore opening 71x30mm, bore depth 15,5mm
in boxes of 40 Pcs.



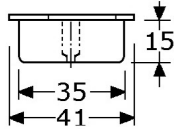
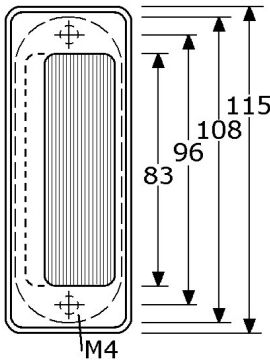
856216

flush pull 105x40mm
stainless steel 304/A2 satin polished
modern stainless steel front plate highness 7,5mm
with black PVC body 99x32mm
bore opening 99x32mm, bore depth 15,5mm
in boxes of 25 Pcs.



856220

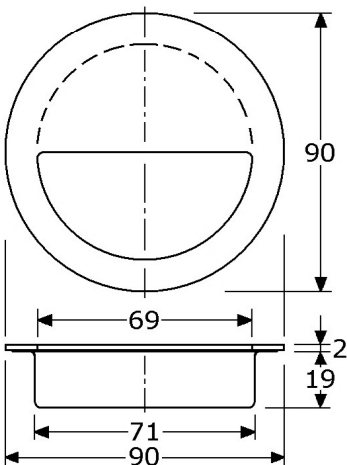
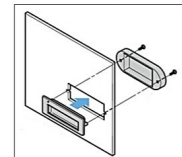
flush pull 140x47mm
stainless steel 304/A2 satin polished
modern stainless steel front plate highness 7,5mm
with black PVC body 134x40mm
bore opening 134x40mm, bore depth 15,5mm
in boxes of 10 Pcs.



856238



flush pull 115x41mm
stainless steel 316/A4 mirror polished
flat stainless steel front plate, thickness 3-4mm
with black PVC body 108x35mm
bore opening 108x35mm, bore depth 15mm
unvisable mounting:
backside with 2x hole M4 c.t.c. 96mm
in boxes of 10 Pcs. (with screws M4x15)



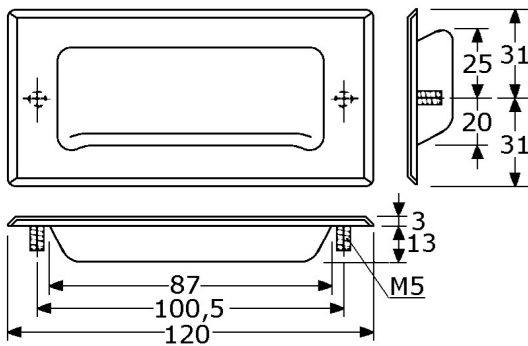
851277



flush pull ø90mm
stainless steel 316/A4 mirror polished
flat stainless steel front plate, thickness 2mm
welded stainless steel body ø71mm
integrated single lipped
bore opening ø71mm, bore depth 2+19mm
in side-wall are 2 little holes ø3,2mm
in boxes of 10 Pcs.

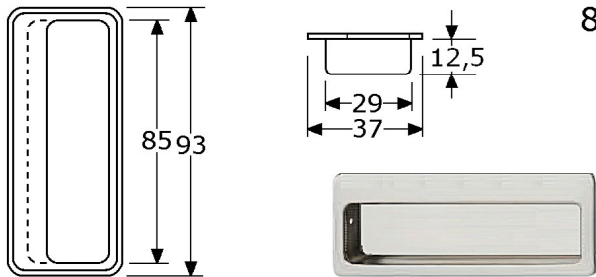


PIMEX B.V.
Coenecoop 131
2741 PJ WADDINXVEEN (NL)
Tel. (31) 182 - 61 11 66
Email: info@pimex.nl



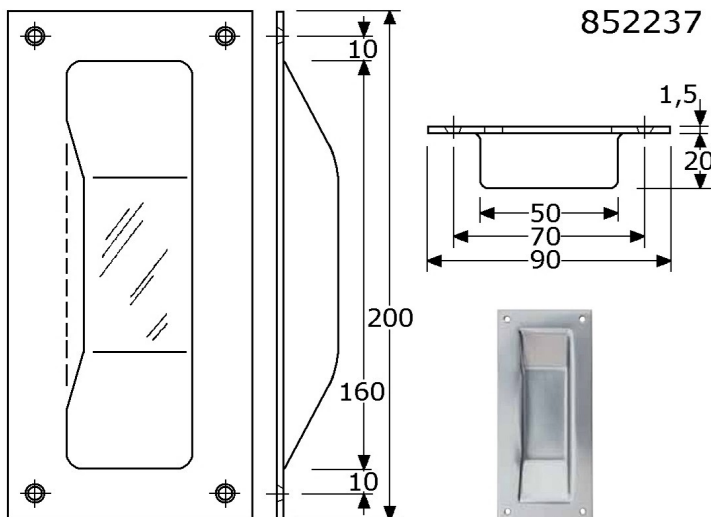
852226

flush pull 120x62mm (type ES-611)
 stainless steel 304/A2 satin polished
 complete stainless steel, out of 1 piece
 bore opening 87x45mm, bore depth 15,5mm
 integrated single lipped, hand opening 85x35mm
 unvisable mounting:
 backside with 2x brass thread M5x10 c.t.c. 100,5mm
 with 2x stainless steel nuts M5
 in boxes of 15 Pcs. (with nuts)



852233

flush pull 93x37mm
 stainless steel 304/A2 satin polished
 flat stainless steel frontplate + stainless steel body
 bore opening 85x29mm, bore depth 1,5+12,5mm
 integrated single lipped, hand opening 82x18mm
 no screwholes, unvisable mounting
 in side-wall are 2x little nail holes ø1mm
 in boxes of 25 Pcs.



852237

flush pull 200x90mm
 stainless steel 304/A2 satin polished
 complete stainless steel, out of 1 piece
 bore opening 160x50mm, bore depth 1,5+20mm
 integrated single lipped, heavy duty
 with 4 countersunked screwholes (3mm/M3)
 in boxes of 10 Pcs.

also possible on request:
 - like 852237, but aluminium new-silver (852507)

852239

flush pull 200x90mm
 stainless steel 304/A2 satin polished
 complete stainless steel, out of 1 piece
 bore opening 160x50mm, bore depth 1,5+20mm
 integrated single lipped, heavy duty
 with 4 countersunked screwholes (3mm/M3)
 in boxes of 10 Pcs.

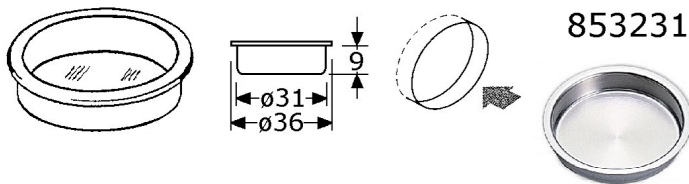
also possible on request:
 - like 852239, but aluminium new-silver (852509)

also possible:
 - black polyamide (PA) flush pull
 110x57mm (out of 1 piece)
 for quick mounting (852874)
 see page GF-854



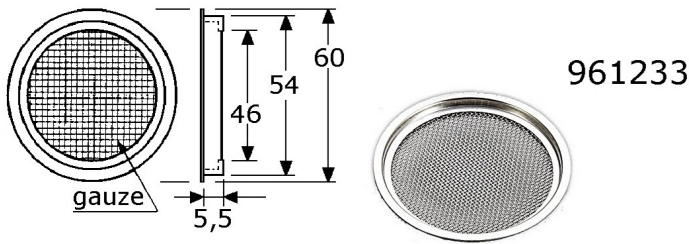
PIMEX B.V.
 Coenecoop 131
 2741 PJ WADDINXVEEN (NL)
 Tel. (31) 182 - 61 11 66
 Email: info@pimex.nl

FLUSH PULL , stainless steel



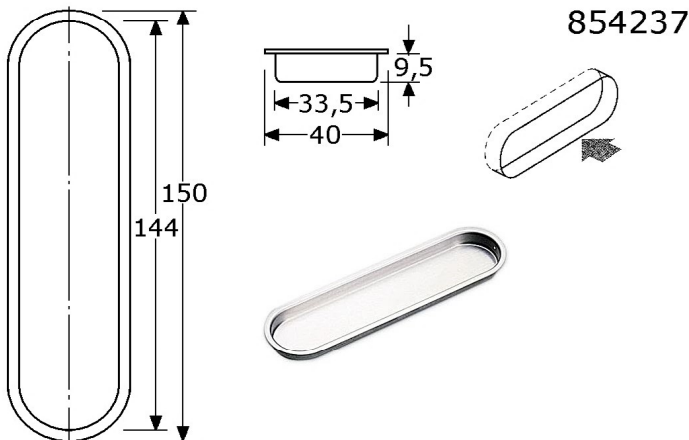
853231

flush pull ø36mm
stainless steel 304/A2 satin polished
complete stainless steel, out of 1 piece
bore opening ø31mm, bore depth 9mm
in side-wall are 2x little nail holes
in boxes of 25 Pcs.



961233

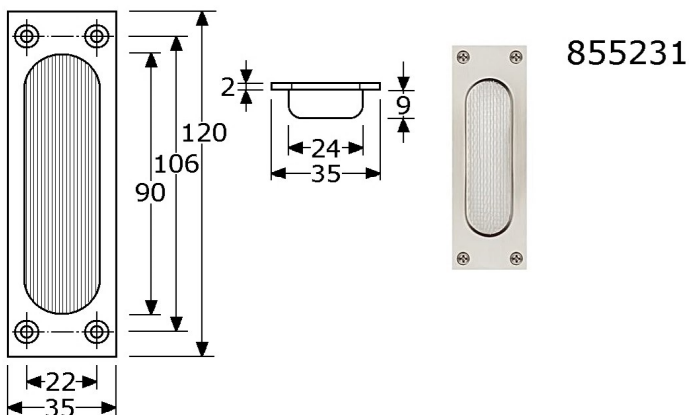
flush pull ø60mm
stainless steel 304/A2 satin polished
complete stainless steel, with open body
with stainless steel gauze with small mesh
bore opening ø54mm, bore depth 5,5mm
in boxes of 50 Pcs.



854237

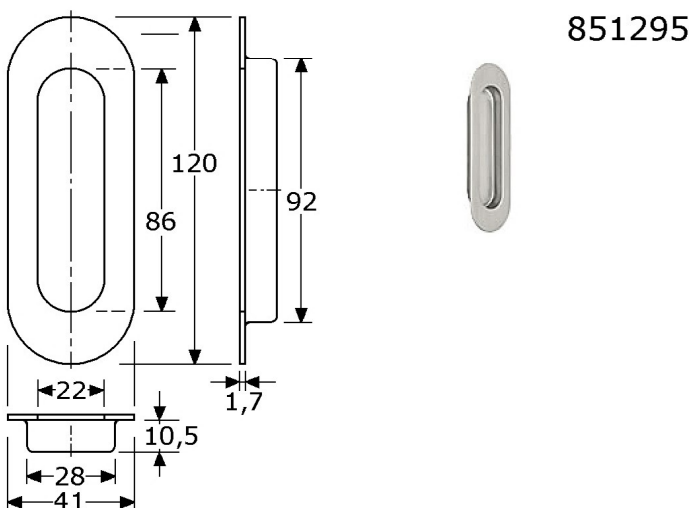
flush pull 150x40mm
stainless steel 304/A2 satin polished
complete stainless steel, out of 1 piece
bore opening 144x33,5mm, bore depth 9,5mm
in side-wall are 2x little nail holes
in boxes of 30 Pcs. (delivery on request)

PIMEX has also:
- nice flush pull latches
spring loaded
zinc alloy nickel or brass plated,
see page GF-856



855231

flush pull 120x35mm
stainless steel 304/A2 satin polished
complete stainless steel, welded body
bore opening 90x24mm, bore depth 2+9mm
with 4 countersunk screwholes (screws M4x7)
in boxes of 25 Pcs.



851295

flush pull 120x41mm, rounded
stainless steel 304/A2 satin polished
complete stainless steel, welded body
bore opening 92x28mm till 94x30mm
bore depth 1,7+10,5mm
integrated double lipped, hand opening 86x22mm
no screwholes
in boxes of 15 Pcs.



PIMEX B.V.
Coenecoop 131
2741 PJ WADDINXVEEN (NL)
Tel. (31) 182 - 61 11 66
Email: info@pimex.nl