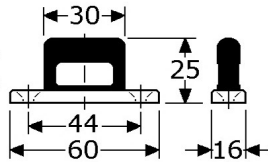
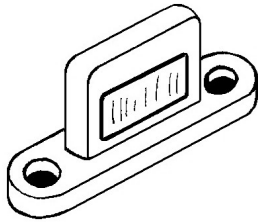


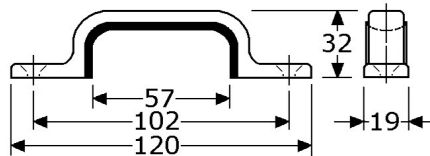
841201

handle 45x20mm
stainless steel 304/A2 satin polished
with black synthetic rubber knob \varnothing 16mm
total length 45mm, length centre-centre 30mm
with 2 countersunked screwholes (3mm)
in boxes of 40 Pcs.



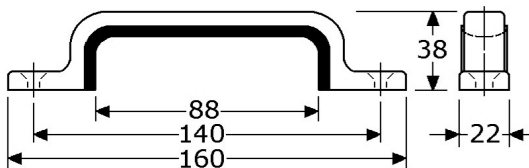
841202

handle 60x16mm
stainless steel 304/A2 satin polished
with black synthetic rubber knob 30x9mm
total length 60mm, length centre-centre 44mm
with 2 countersunked screwholes (3mm)
in boxes of 40 Pcs.



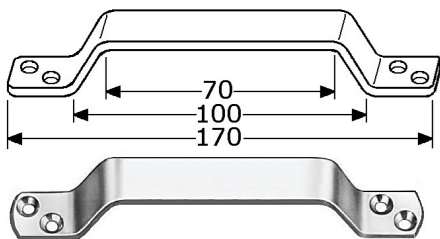
841209

handle 120x19mm
stainless steel 304/A2 mirror polished
with black synthetic rubber inlay, opening 57mm
fine handy type, first quality;
against galvanic contact corrosion;
for temperature -60°C. till +130°C. ###
total length 120mm, length centre-centre 102mm
surface mounting, total highness 32mm
with 2 countersunked screwholes (3,5mm/M4)
in boxes of 20 Pcs.



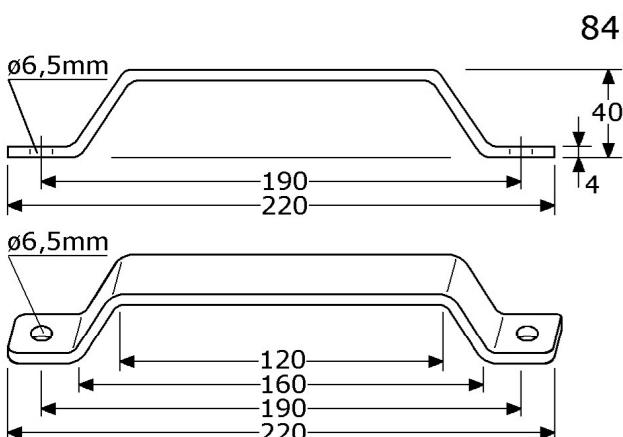
841213

handle 160x22mm
stainless steel 304/A2 mirror polished
with black synthetic rubber inlay, opening 88mm
fine handy type, first quality;
against galvanic contact corrosion;
for temperature -60°C. till +130°C. ###
total length 160mm, length centre-centre 140mm
surface mounting, total highness 38mm
with 2 countersunked screwholes (4mm/M4)
in boxes of 10 Pcs.



842232

handle 170x20mm
stainless steel 304/A2 polished
thickness 4mm, simple & profitable model ###
total length 170mm, opening 70/100mm
surface mounting, total highness 37mm
with 4 countersunked screwholes (4,5mm/M5)
in boxes of 25 Pcs.



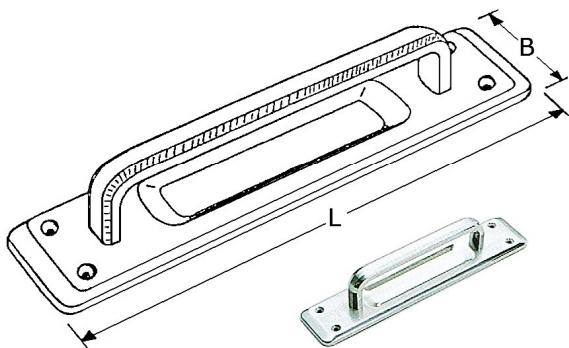
842237

handle 220x30mm
stainless steel 304/A2 satin polished
thickness 4mm (sides not polished)
heavy duty, out of material 30x4mm
total length 220mm, opening 120/160mm
surface mounting, total highness 40mm
with 2 round screwholes \varnothing 6,5mm c.t.c. 190mm
in boxes of 25 Pcs.

also on request (minimum quantity 100 Pcs.):
- like 842237 but full satin polished (842236)



PIMEX B.V.
Coenecoop 131
2741 PJ WADDINXVEEN (NL)
Tel. (31) 182 - 61 11 66
Email: info@pimex.nl

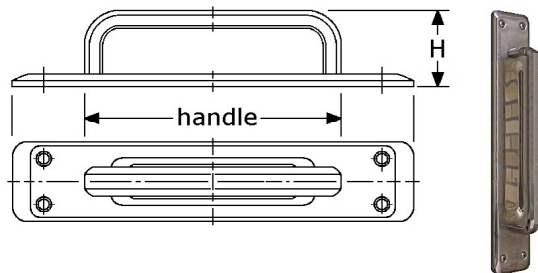


846268

handle on nice plate 200x45x7mm
stainless steel 304/A2 satin&mirror polished
length handle 122mm, profile 16x10mm
surface mounting, total highness 43mm
with 4 countersunk screwholes (4mm)
in boxes of 5 Pcs. (discontinued)

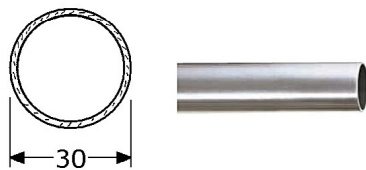
846272

handle on nice plate 240x50x8mm
stainless steel 304/A2 satin&mirror polished
length handle 152mm, profile 16x10mm
surface mounting, total highness 46mm
with 4 countersunk screwholes (4mm)
in boxes of 5 Pcs. (discontinued)



846276

handle on nice plate 320x55x8mm
stainless steel 304/A2 satin&mirror polished
length handle 222mm, profile 16x10mm
surface mounting, total highness 50mm
with 4 countersunk screwholes (4mm)
in boxes of 1 Pcs. (discontinued)



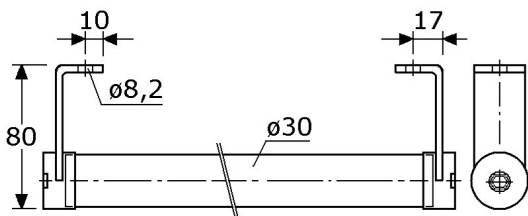
875230

tube \varnothing 30mm for tube handles/rail \varnothing 30x1,5mm
stainless steel 304/A2 satin polished
thickness 1,5mm, nice finish
on standard lengths of 3 meter
without brackets (brackets to be ordered separately)



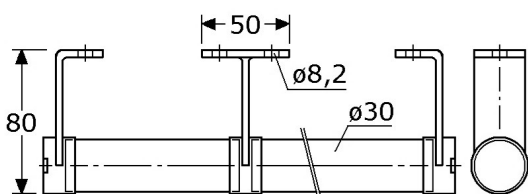
875231

tube \varnothing 30mm for tube handles/rail \varnothing 30x1,5mm
stainless steel 304/A2 satin polished
thickness 1,5mm, nice finish
on different available lengths, like 1,5 meter
without brackets (brackets to be ordered separately)



875238

end brackets for tube handles/rail \varnothing 30x1,5mm
stainless steel 304/A2 satin polished
surface mounting, total highness 80mm
mounting plate 27x32mm, no left or right
fixing from side with hexagon socket head screw
plate with 1x round screwhole \varnothing 8,2mm
in boxes of 6 Pcs.



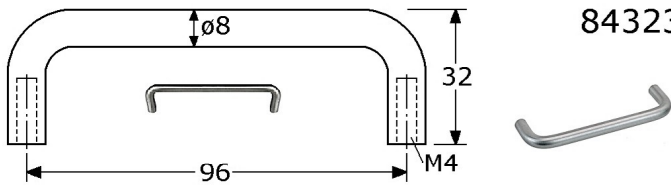
875239

middle brackets for tube handles/rail \varnothing 30x1,5mm
stainless steel 304/A2 satin polished
surface mounting, total highness 80mm
mounting plate 50x32mm
for mounting 2x tube \varnothing 30mm ###
plate with 2x round screwhole \varnothing 8,2mm
in boxes of 6 Pcs.



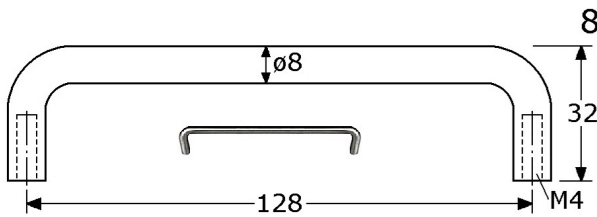
PIMEX B.V.
Coenecoop 131
2741 PJ WADDINXVEEN (NL)
Tel. (31) 182 - 61 11 66
Email: info@pimex.nl

HANDLES, stainless steel



843233

handle $\varnothing 8 \times 96/104$ mm
 stainless steel 304/A2 satin polished
 total length 104mm, length centre-centre 96mm
 ### cheap price, quick delivery ###
 total highness 32mm
 unvisable mounting from backside M4 (thread 9mm)
 in boxes of 50 Pcs. (without screws)



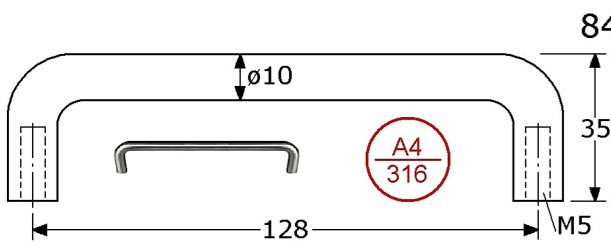
843235

handle $\varnothing 8 \times 128/136$ mm
 stainless steel 304/A2 satin polished
 total length 136mm, length centre-centre 128mm
 ### cheap price, quick delivery ###
 total highness 32mm
 unvisable mounting from backside M4 (thread 9mm)
 in boxes of 50 Pcs. (without screws)



843241

handle $\varnothing 10 \times 128/138$ mm
 stainless steel 304/A2 satin polished
 total length 138mm, length centre-centre 128mm
 total highness 35mm, for max. 2mm plate
 unvisable mounting from backside M4 (thread 9mm)
 in boxes of 25 Pcs. (without screws)



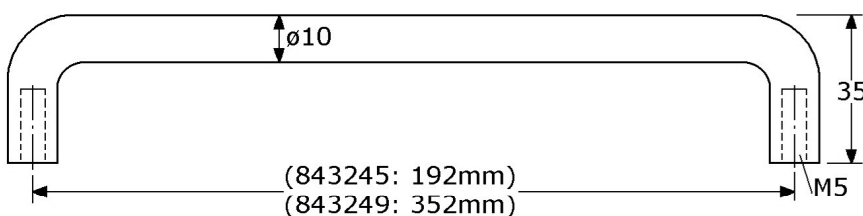
843242

handle $\varnothing 10 \times 128/138$ mm
 stainless steel 316/A4 satin polished
 total length 138mm, length centre-centre 128mm
 total highness 35mm
 unvisable mounting from backside M5 (thread 9mm)
 in boxes of 30 Pcs. (without screws)



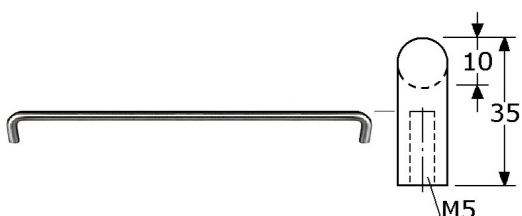
843245

handle $\varnothing 10 \times 192/202$ mm
 stainless steel 304/A2 satin polished
 total length 202mm, length centre-centre 192mm
 total highness 35mm
 unvisable mounting from backside M5 (thread 9mm)
 in boxes of 20 Pcs. (without screws)



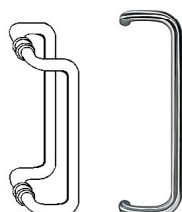
843249

handle $\varnothing 10 \times 192/202$ mm
 stainless steel 304/A2 satin polished
 total length 362mm, length centre-centre 352mm
 total highness 35mm
 unvisable mounting from backside M5 (thread 9mm)
 in boxes of 20 Pcs. (without screws)



more long stainless steel handles,
 see page GY-845

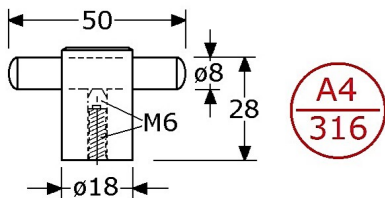
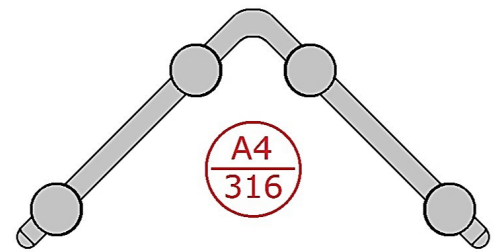
for long tube door pull handles,
 see page GY-846a



PIMEX B.V.
 Coenecoop 131
 2741 PJ WADDINXVEEN (NL)
 Tel. (31) 182 - 61 11 66
 Email: info@pimex.nl

HANDLES, stainless steel

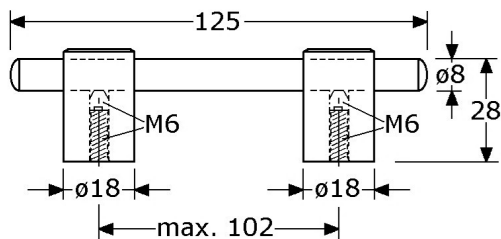
modern handles, good quality
 loose bases: flexible & adjustable
 usable for all hole pattern



843266



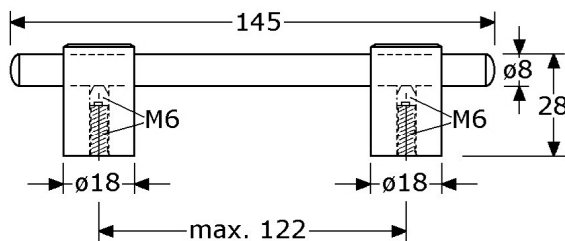
PIWAX handle $\varnothing 8 \times 50 \text{mm}$
 stainless steel 316 satin polished
 with 1 PIWAX base SS-316 $\varnothing 18 \text{mm}$
 total highness 28mm, handle length 50mm
 ### flexible & adjustable ###
 unvisible mounting from backside M6
 first hexagon socket set screw M6, than screw M6
 in boxes of 20 Pcs. (with hexagon socket set screws)



843268

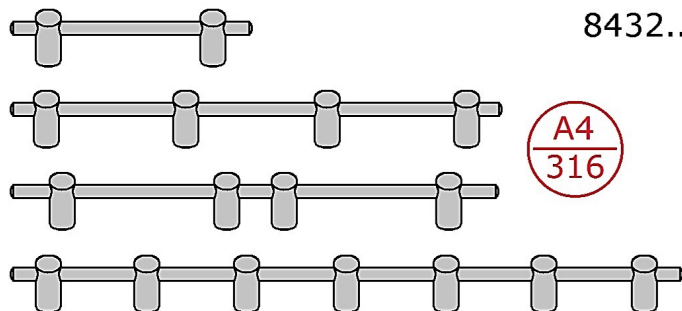


PIWAX handle $\varnothing 8 \times 125 \text{mm}$
 stainless steel 316 satin polished
 with 2 PIWAX bases SS-316 $\varnothing 18 \text{mm}$
 total highness 28mm, handle length 125mm
 ### flexible & adjustable, for all hole pattern,
 maximum distance centre-centre 102mm ###
 unvisible mounting from backside M6
 first hexagon socket set screw M6, than screw M6
 in boxes of 20 Pcs. (with hexagon socket set screws)



843269

PIWAX handle $\varnothing 8 \times 145 \text{mm}$
 stainless steel 316 satin polished
 with 2 PIWAX bases SS-316 $\varnothing 18 \text{mm}$
 total highness 28mm, handle length 145mm
 ### flexible & adjustable, for all hole pattern,
 maximum distance centre-centre 122mm ###
 unvisible mounting from backside M6
 first hexagon socket set screw M6, than screw M6
 in boxes of 20 Pcs. (with hexagon socket set screws)



8432..

PIWAX long handles/rails
 stainless steel 316 satin polished
 with PIWAX bases SS-316 $\varnothing 18 \text{mm}$
 with different PIWAX rods $\varnothing 8 \text{mm}$
 (in stock: 280, 450, 700, 1000 and 1500mm;
 other measures on request)

- loose parts for PIWAX long handles/rails:
- 843263 PIWAX base SS-316 $\varnothing 18 \text{mm}$ with M6
 - 682260 PIWAX rod SS-316 $\varnothing 8 \times 280 \text{mm}$
 - 682261 PIWAX rod SS-316 $\varnothing 8 \times 450 \text{mm}$
 - 682262 PIWAX rod SS-316 $\varnothing 8 \times 700 \text{mm}$
 - 682263 PIWAX rod SS-316 $\varnothing 8 \times 1000 \text{mm}$
 - 682264 PIWAX rod SS-316 $\varnothing 8 \times 1500 \text{mm}$



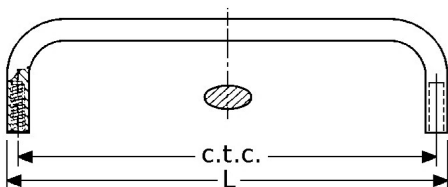
PIMEX B.V.
 Coenecoop 131
 2741 PJ WADDINXVEEN (NL)
 Tel. (31) 182 - 61 11 66
 Email: info@pimex.nl



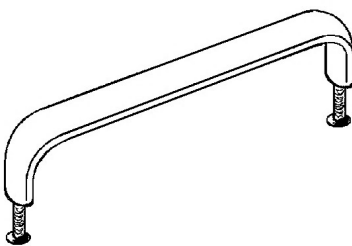
845201 handle 25/30mm
 stainless steel 304/A2 mirror polished
 total length 30mm, length centre-centre 25mm
 oval profile, widthness 10mm
 total highness 23mm
 unvisable mounting from backside M3 (thread 8mm)
 in boxes of 40 Pcs.
 (for 40 Pcs.: with 80 stainless steel screws M3)



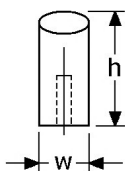
845205 handle 65/70mm
 stainless steel 304/A2 mirror polished
 total length 70mm, length centre-centre 65mm
 oval profile, widthness 10mm
 total highness 23mm
 unvisable mounting from backside M3 (thread 9mm)
 in boxes of 30 Pcs.
 (for 30 Pcs.: with 60 stainless steel screws M3)



845207 handle 85/90mm
 stainless steel 304/A2 mirror polished
 total length 90mm, length centre-centre 85mm
 oval profile, widthness 10mm
 total highness 23mm
 unvisable mounting from backside M3 (thread 9mm)
 in boxes of 20 Pcs.
 (for 20 Pcs.: with 40 stainless steel screws M3)



845229 handle 104/110mm
 stainless steel 304/A2 mirror polished
 total length 110mm, length centre-centre 104mm
 oval profile, widthness 13mm
 total highness 24mm
 unvisable mounting from backside M4 (thread 9mm)
 in boxes of 15 Pcs.
 (for 15 Pcs.: with 30 stainless steel screws M4)



845231 handle 124/130mm
 stainless steel 304/A2 mirror polished
 total length 130mm, length centre-centre 124mm
 oval profile, widthness 13mm
 total highness 24mm
 unvisable mounting from backside M4 (thread 9mm)
 in boxes of 15 Pcs.
 (for 15 Pcs.: with 30 stainless steel screws M4)



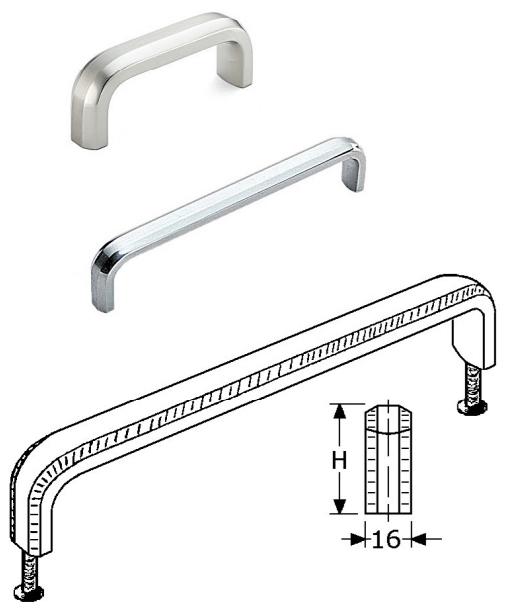
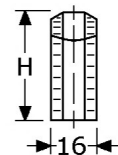
845233 handle 144/150mm
 stainless steel 304/A2 mirror polished
 total length 150mm, length centre-centre 144mm
 oval profile, widthness 13mm
 total highness 25mm
 unvisable mounting from backside M4 (thread 9mm)
 in boxes of 15 Pcs.
 (for 15 Pcs.: with 30 stainless steel screws M4)



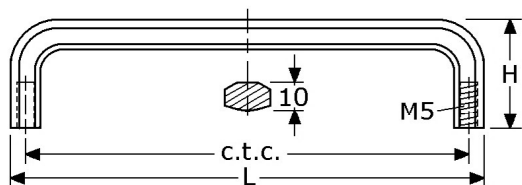
PIMEX B.V.
 Coenecoop 131
 2741 PJ WADDINXVEEN (NL)
 Tel. (31) 182 - 61 11 66
 Email: info@pimex.nl

HANDLE, stainless steel

a line of original heavy duty handles
out of stainless steel profile 16x10mm, first quality
combination of satin & mirror polished



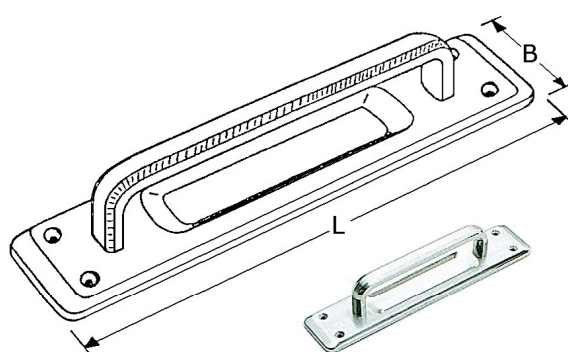
846244 handle 72/82mm, heavy duty
stainless steel 304/A2 satin&mirror polished
total length 82mm, length centre-centre 72mm
widthness 16mm, highness 32mm
unvisable mounting from backside M5 (thread 15mm)
in boxes of 10 Pcs.



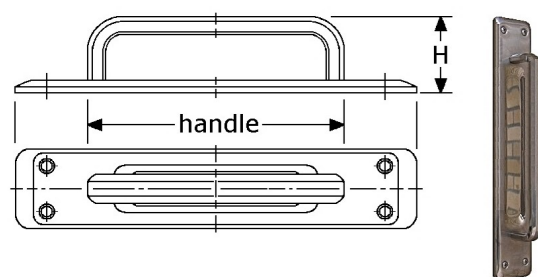
846256 handle 212/222mm, heavy duty
stainless steel 304/A2 satin&mirror polished
total length 222mm, length centre-centre 212mm
widthness 16mm, highness 42mm
unvisable mounting from backside M5 (thread 15mm)
in boxes of 8 Pcs.



846258 handle 292/302mm, heavy duty
stainless steel 304/A2 satin&mirror polished
total length 302mm, length centre-centre 292mm
widthness 16mm, highness 44mm
unvisable mounting from backside M5 (thread 15mm)
in boxes of 6 Pcs.



846268 handle on nice plate 200x45x7mm
stainless steel 304/A2 satin&mirror polished
length handle 122mm, profile 16x10mm
surface mounting, total highness 43mm
with 4 countersunk screwholes (4mm)
in boxes of 5 Pcs. (discontinued)

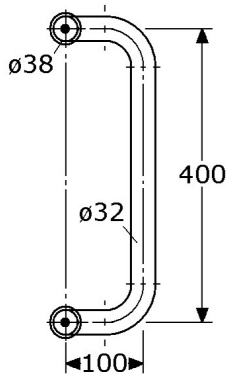
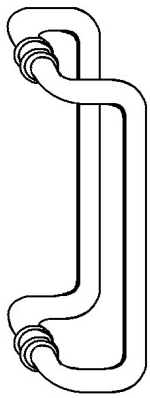


846272 handle on nice plate 240x50x8mm
stainless steel 304/A2 satin&mirror polished
length handle 152mm, profile 16x10mm
surface mounting, total highness 46mm
with 4 countersunk screwholes (4mm)
in boxes of 5 Pcs. (discontinued)

846276 handle on nice plate 320x55x8mm
stainless steel 304/A2 satin&mirror polished
length handle 222mm, profile 16x10mm
surface mounting, total highness 50mm
with 4 countersunk screwholes (4mm)
in boxes of 1 Pcs. (discontinued)



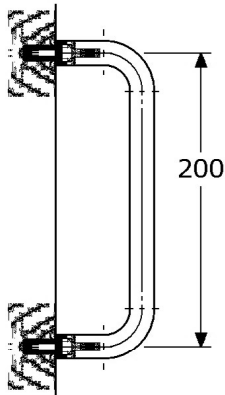
PIMEX B.V.
Coenecoop 131
2741 PJ WADDINXVEEN (NL)
Tel. (31) 182 - 61 11 66
Email: info@pimex.nl



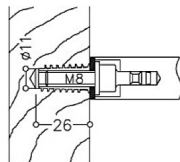
847294



tube door pull handle $\varnothing 32 \times 400 \text{mm}$
 stainless steel 304/A2 satin polished
 total length 432mm, length centre-centre 400mm
 highness 106mm, hand opening 368x74mm
 cranked 100mm, with stainless steel roses $\varnothing 38 \text{mm}$
 with black rubber roses $\varnothing 38 \times 2 \text{mm}$ (for glass door)
 front: unvisible mounting for door 40-65mm
 back: with hexagon socket set screws
 pair mounting with stainless steel bolts M8x100
 ### cheap price, quick delivery ###
 in boxes of 1 pair



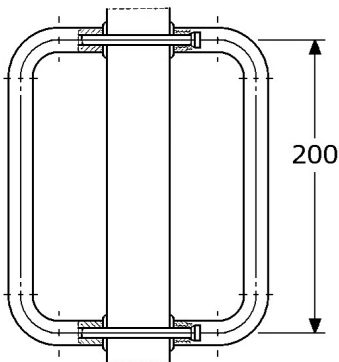
847221



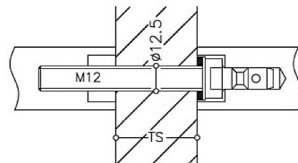
tube door pull handle $\varnothing 26 \times 200 \text{mm}$
 stainless steel 316/A4 satin polished
 total length 226mm, length centre-centre 200mm
 highness 85mm, hand opening 174x59mm
 straight type (not cranked), without roses
 for single wall mounting
 with hexagon socket set screws
 single mounting with screw M8
 in boxes of 1 pair (delivery on request)

also possible:

- other lengths till L=1200mm
- other diameter like $\varnothing 32 \text{mm}$ or $\varnothing 40 \text{mm}$
- for glass door mounting



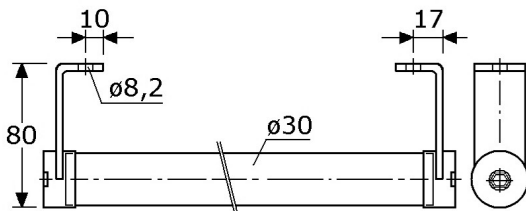
847261



tube door pull handle $\varnothing 26 \times 200 \text{mm}$
 stainless steel 316/A4 satin polished
 total length 226mm, length centre-centre 200mm
 highness 85mm, hand opening 174x59mm
 straight type (not cranked), without roses
 front: unvisible mounting for door 48-58mm
 back: with hexagon socket set screws
 pair mounting with steel thread rod M12x96
 in boxes of 1 pair (delivery on request)

also possible:

- other lengths till L=1200mm
- other diameter like $\varnothing 32 \text{mm}$ or $\varnothing 40 \text{mm}$
- for door 28-38mm or door 38-48mm
- for glass door mounting



875238

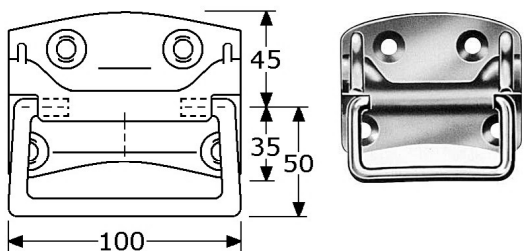


end brackets for tube handles/rail $\varnothing 30 \times 1,5 \text{mm}$
 stainless steel 304/A2 satin polished
 surface mounting, total highness 80mm
 mounting plate 27x32mm, no left or right
 fixing from side with hexagon socket head screw
 plate with 1x round screw hole $\varnothing 8,2 \text{mm}$
 in boxes of 6 Pcs.
 (more information, see page GY-841)



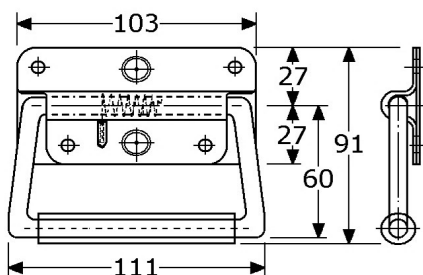
PIMEX B.V.
 Coenecoop 131
 2741 PJ WADDINXVEEN (NL)
 Tel. (31) 182 - 61 11 66
 Email: info@pimex.nl

DROP CHEST HANDLE, stainless steel



848206

drop chest handle 100x80mm
stainless steel 304/A2 mirror
handle $\varnothing 8 \times 100$ mm, maximum turn 90°
surface mounting, highness 16mm
with strengthen groundplate $100 \times 80 \times 1,5$ mm
with 4 countersunk screwholes (5mm/M6)
in boxes of 10 Pcs.

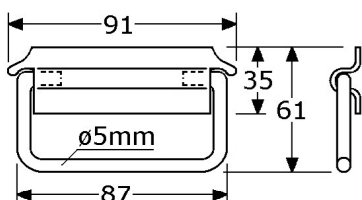


A4
316

848207

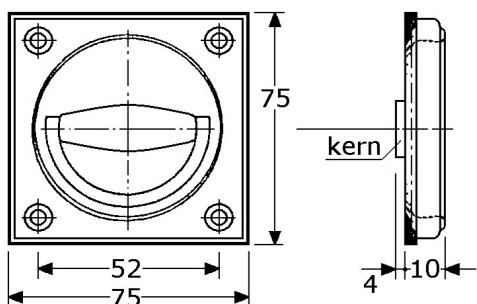
drop chest handle 103x54mm
stainless steel 316/A4 mirror
handle $\varnothing 8 \times 111$ mm with black neoprene
with stainless steel spring, maximum turn 70°
surface mounting, highness 14mm
groundplate $103 \times 54 \times 1,5$ mm double welded till 3mm
with 4 screwholes $\varnothing 5,0$ mm
in boxes of 10 Pcs.

A4
316



848204

drop chest handle 91x35mm
stainless steel 304/A2 satin
handle $\varnothing 5 \times 87$ mm, maximum turn 120°
surface mounting, highness 9mm
with small groundplate $91 \times 35 \times 1$ mm
without screwholes, for welding
in boxes of 10 Pcs.



828270

flush door lever handle 75x75mm
stainless steel 304/A2 satin polished
surface mounting, with black rubber isolation plate
total high 10mm, not for built in
with stainless steel handle (without stop)
backside: aluminium hub with hole $\# 7 \times 7$ mm
(square spindles has to be ordered separately)
minimum hole in the plate $\varnothing 16$ mm
with 4 countersunk screwholes (4mm/M4)
in boxes of 10 Pcs.

682220

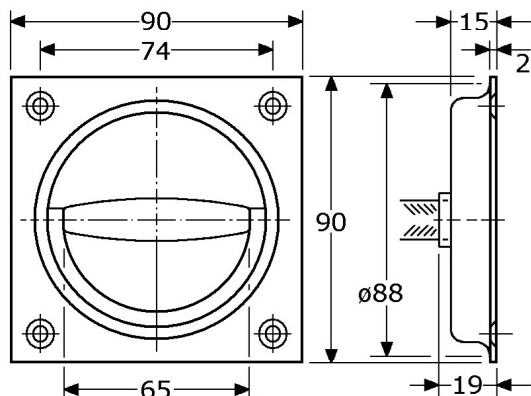
PIWAX square spindle 316/A4

#7x7x50

682221

PIWAX square spindle 316/A4

#7x7x100



828290

flush door lever handle 90x90mm
stainless steel 304/A2 satin polished
up-lay 2mm, built in depth $2 + 13 = 15$ mm
with stainless steel handle (without stop)
backside: hub with hole $\# 8 \times 8$ mm
(square spindles has to be ordered separately)
hole in the plate $\varnothing 88$ mm
with 4 countersunk screwholes (4mm/M4)
in boxes of 6 Pcs.

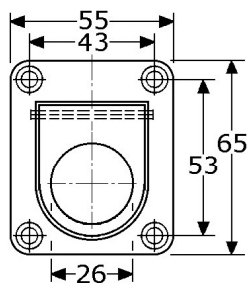
839289

PIWAX square spindle A4

#8x8x120mm

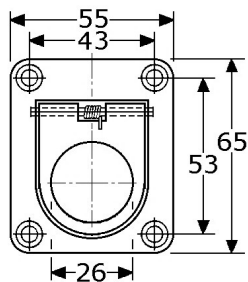
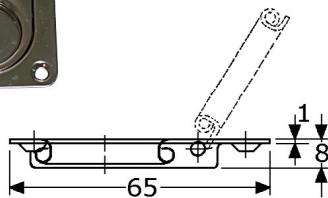


PIMEX B.V.
Coenecoop 131
2741 PJ WADDINXVEEN (NL)
Tel. (31) 182 - 61 11 66
Email: info@pimex.nl



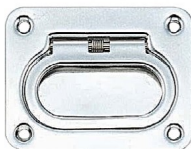
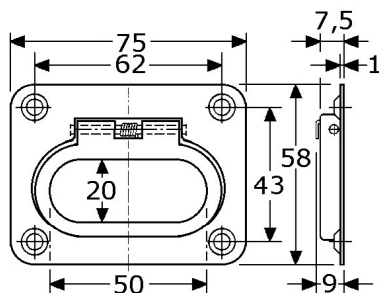
849230

flush lift ring pull 55x65x1mm
 stainless steel 304/A2 polished
 with ring with opening \varnothing 26mm
 ### cheap price, quick delivery ###
 material 1mm, bore depth 1+7=8mm
 with 4 countersunk screwholes (4mm/M4)
 in boxes of 50 Pcs.



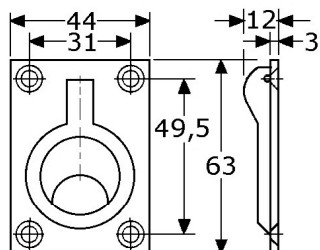
849233

flush lift ring pull 55x65x1mm
 stainless steel 304/A2 polished
 with ring spring loaded with opening \varnothing 26mm
 stainless steel spring, cheap price
 material 1mm, bore depth 1+7=8mm
 with 4 countersunk screwholes (4mm/M4)
 in boxes of 50 Pcs.



849242

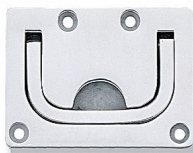
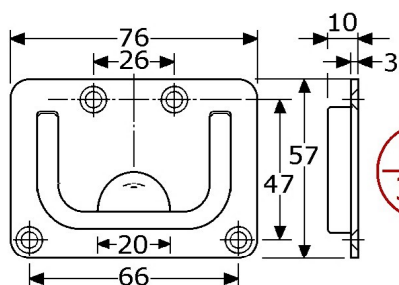
flush lift ring pull 75x58mm
 stainless steel 304/A2 unpolished
 with ring spring loaded with opening 20x50mm
 stainless steel spring, cheap price
 material 1mm, bore depth 1+6,5=7,5mm
 4 countersunk holes (4mm/M4) c.t.c. 62x43mm
 in boxes of 40 Pcs.



849209

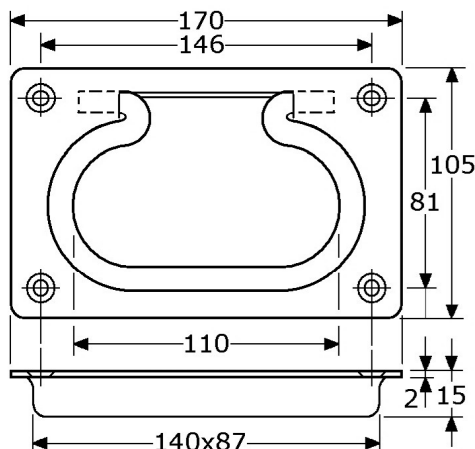


flush lift ring pull 44x63mm
 stainless steel 316/A4 mirror polished
 solid casting, nice finish
 with nice flat ring with small opening
 front plate 3mm, bore depth 3+9=12mm
 with 4 countersunk screwholes (4mm/M4)
 in boxes of 20 Pcs.



849214

flush lift ring pull 76x57mm
 stainless steel 316/A4 mirror polished
 solid casting, nice finish
 with nice flat ring with small opening
 front plate 3mm, bore depth 3+7=10mm
 with 4 countersunk screwholes (4mm/M4)
 in boxes of 20 Pcs.



848232

flush lift ring pull 170x105mm
 stainless steel 304/A2 satin
 heavy duty 2mm, with ring thickness \varnothing 10mm
 big hand opening 110mm, maximum turn 90°
 bore opening 140x87mm, bore depth 2+13=15mm
 with 4 countersunk screwholes (5mm/M6)
 in boxes of 10 Pcs.



PIMEX B.V.
 Coenecoop 131
 2741 PJ WADDINXVEEN (NL)
 Tel. (31) 182 - 61 11 66
 Email: info@pimex.nl