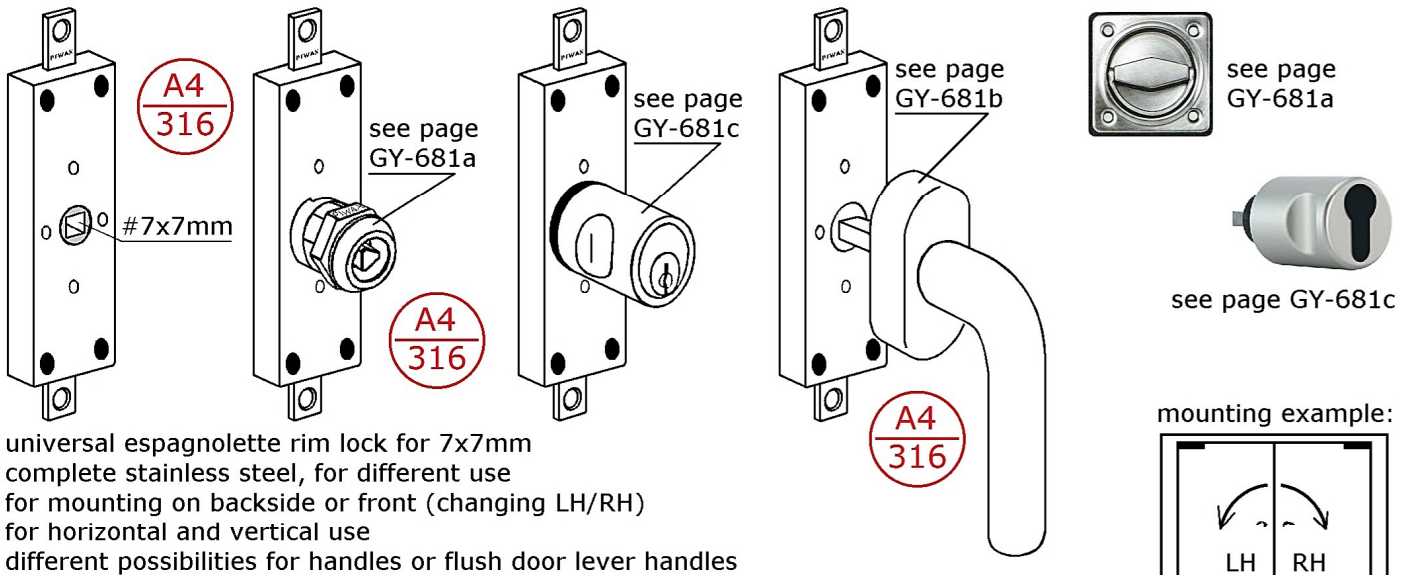
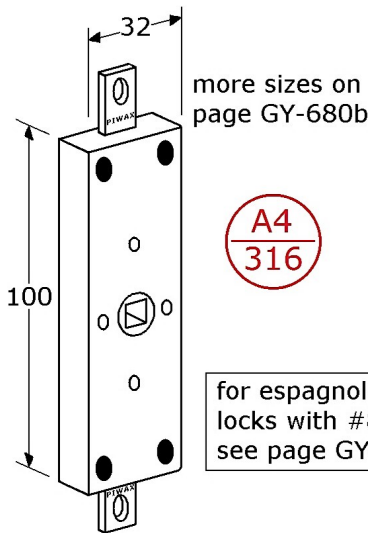


PIWAX ESPAGNOLETTE RIM LOCK, stainless steel



universal espagnolette rim lock for 7x7mm complete stainless steel, for different use for mounting on backside or front (changing LH/RH) for horizontal and vertical use different possibilities for handles or flush door lever handles

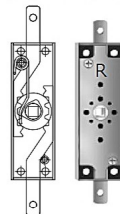


682203



PIWAX espagnolette rim lock 100x32mm, LH stainless steel 316/A4 with hub stainless steel 316/A4 #7x7mm case 100x32x14mm with 4 screwholes $\varnothing 5,2$ mm with 2 ends 10x3mm with each 1 hole $\varnothing 5,2$ mm (especially for the rod adapter 682219) extension 18mm up, extension 18mm down in boxes of 10 Pcs.

682204



PIWAX espagnolette rim lock 100x32mm, RH stainless steel 316/A4 with hub stainless steel 316/A4 #7x7mm case 100x32x14mm with 4 screwholes $\varnothing 5,2$ mm with 2 ends 10x3mm with each 1 hole $\varnothing 5,2$ mm (especially for the rod adapter 682219) extension 18mm up, extension 18mm down in boxes of 10 Pcs.

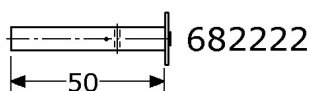
682205

PIWAX distance plate 100x32x5mm out of Polyamide (PA-6 white) for mounting behind the lock 682203/682204 for mounting behind the lock 682215/682216 for isolation or if the door thickness is not enough with big hole $\varnothing 23$ mm and with 4 screwholes $\varnothing 6,1$ mm in boxes of 10 Pcs.

682219



PIWAX rod adapter $\varnothing 18$ mm stainless steel 316/A4 satin for mounting rod $\varnothing 8$ mm on the lock 682203/682204 for mounting rod $\varnothing 8$ mm on the lock 682215/682216 length 28mm, with 2 hexagon socket screws M5 in boxes of 2 Pcs. and 40 Pcs.



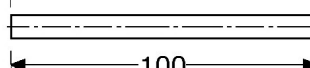
682222

682222

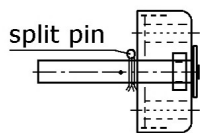
PIWAX square spindle #7x7x50mm stainless steel 316/A4 with hole for split pin $\varnothing 2$ mm (split pin stainless steel $\varnothing 2 \times 30$ mm = B258723)



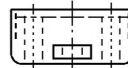
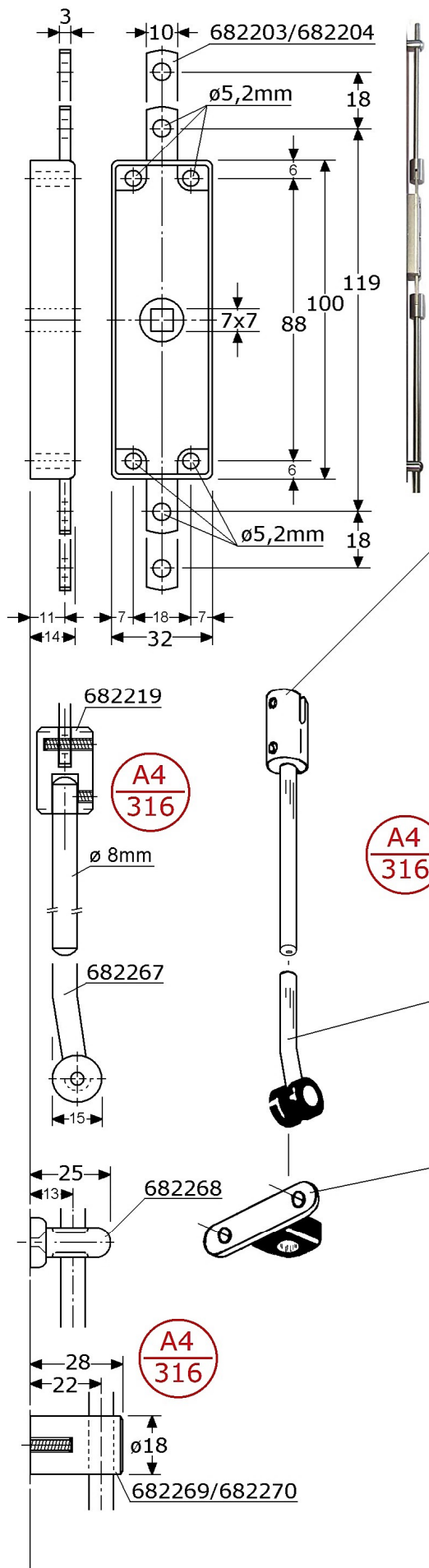
682220



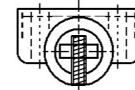
682221



PIWAX B.V.
Coenecoop 131
2741 PJ WADDINXVEEN (NL)
Tel. (31) 182 - 61 11 66
Email: info@pimex.nl



top view:
lock 682203/682204



top view:
lock 682203/682204
with adapter 682219



682219 PIWAX rod adapter ø18mm stainless steel 316/A4 satin for mounting rod ø8mm on the lock 682203/682204 length 28mm, with 2 hexagon socket screws M5 in boxes of 2 Pcs. and 40 Pcs.



682260 PIWAX rod ø8x280mm stainless steel 316/A4, rounded ends

682261 PIWAX rod ø8x450mm stainless steel 316/A4, rounded ends

682262 PIWAX rod ø8x700mm stainless steel 316/A4, rounded ends

682263 PIWAX rod ø8x1000mm stainless steel 316/A4, rounded ends

682264 PIWAX rod ø8x1500mm stainless steel 316/A4, rounded ends

682267 PIWAX rod ø8x1000mm stainless steel 304/A2 with double black nylon wheels ø15mm

682268 PIWAX rod guide 60mm stainless steel 304/A2 + black synthetic rubber length 60mm, high 25mm with 2 countersunk screwholes c.t.c. 44mm in boxes of 2 Pcs. and 40 Pcs.

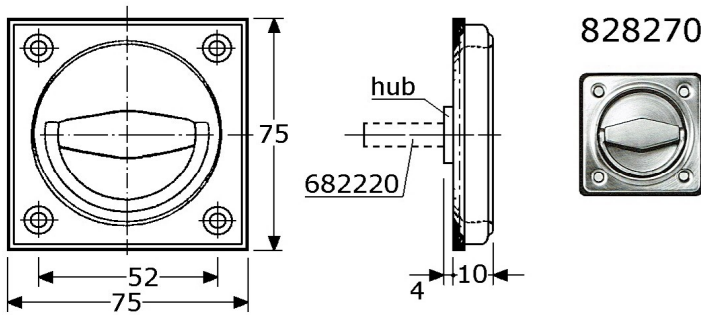
682269 PIWAX rod guide ø18mm, with hole M6 stainless steel 316/A4 satin for unvisable mounting on metal with thread M6 in boxes of 2 Pcs. and 40 Pcs.

682270 PIWAX rod guide ø18mm, with hole M6 stainless steel 304/A2 satin for unvisable mounting on metal with thread M6 in boxes of 2 Pcs. and 40 Pcs.

for espagnolette rim locks in stainless steel with hub #8x8mm, see from page GY-682a

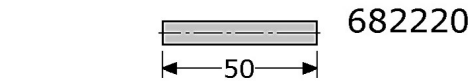


PIWAX B.V.
Coenecoop 131
2741 PJ WADDINXVEEN (NL)
Tel. (31) 182 - 61 11 66
Email: info@pimex.nl



828270

flush door lever handle 75x75mm
stainless steel 304/A2 satin polished
with black rubber isolation plate
total high 10mm, not for built in
with stainless steel handle (without stop)
backside: aluminium hub with hole #7x7mm
(square spindles has to be ordered separately)
minimum hole in the plate \varnothing 16mm
with 4 countersunk screwholes (4mm/M4)
in boxes of 10 Pcs.



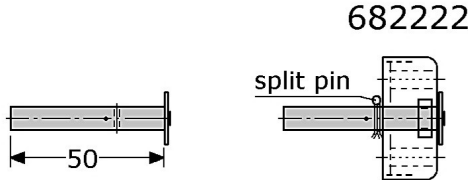
682220

PIWAX square spindle #7x7x50mm
stainless steel 316/A4 (without hole)



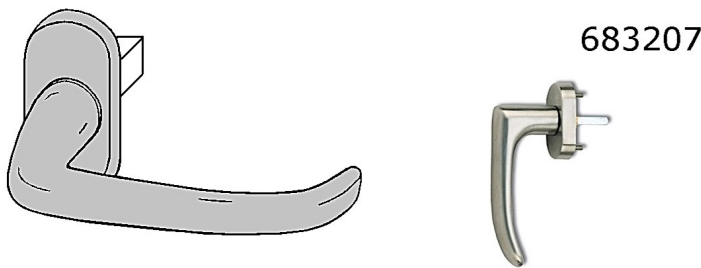
682221

PIWAX square spindle #7x7x100mm
stainless steel 316/A4 (without hole)



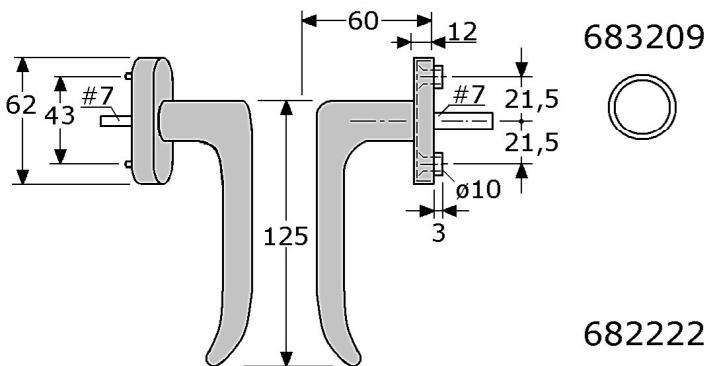
682222

PIWAX square spindle #7x7x50mm
stainless steel 316/A4
with hole for split pin \varnothing 2mm
(split pin stainless steel \varnothing 2x30mm = B258723)



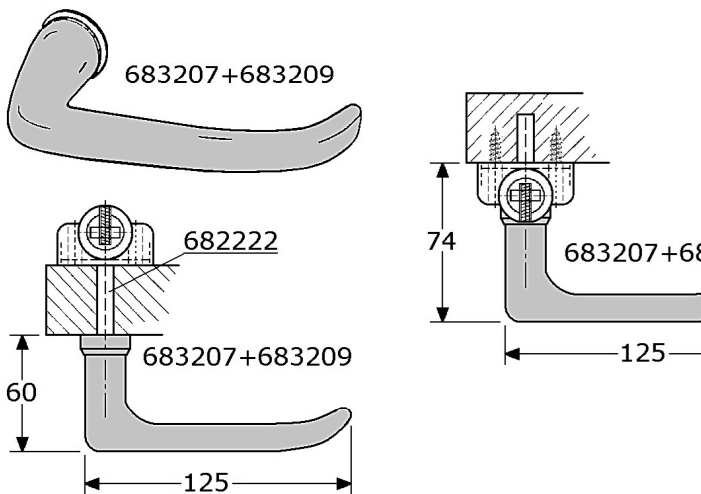
683207

PIWAX door handle, length 125mm
stainless steel 304/A2 satin polished
total high 60mm, with stop on every 90°
with fixed steel nickel square spindle #7x7x35mm
on rounded rose SS-304/A2 62x32x12mm
unvisable mounting with steel nickel underrose
underrose: with 2x nocks \varnothing 10mm c.t.c. 43mm
with 2 countersunk screwholes c.t.c. 43mm (5mm)
in boxes of 10 Pcs.



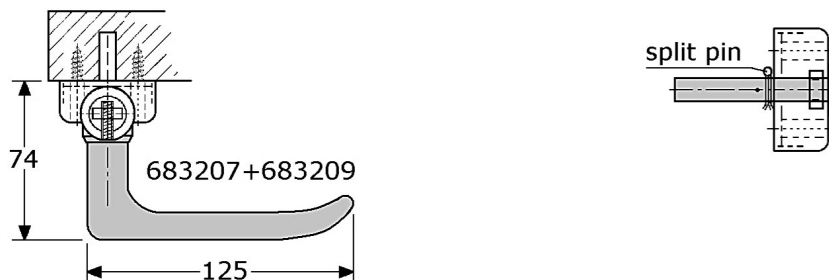
683209

PIWAX door handle bearing \varnothing 25mm
stainless steel 304/A2 satin polished
A. for use behind door handle 683207
B. for use on doors with small backset
C. for surface mounting
total high (with 682203/682204) 74mm
without spindle #7mm, without stop
without screwholes
in boxes of 10 Pcs.

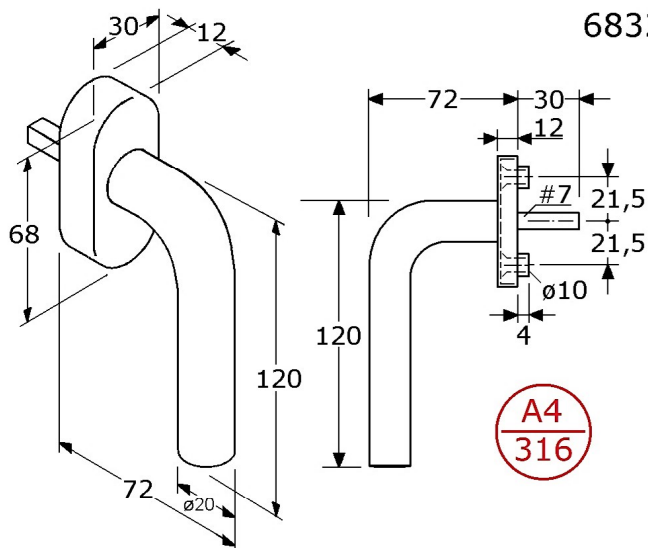


682222

PIWAX square spindle #7x7x50mm
stainless steel 316/A4
with hole for split pin \varnothing 2mm
(split pin stainless steel \varnothing 2x30mm = B258723)

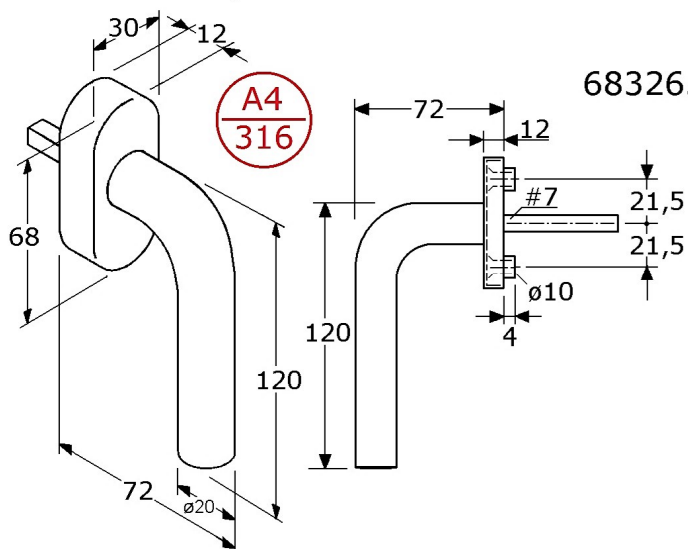


PIMEX B.V.
Coenecoop 131
2741 PJ WADDINXVEEN (NL)
Tel. (31) 182 - 61 11 66
Email: info@pimex.nl



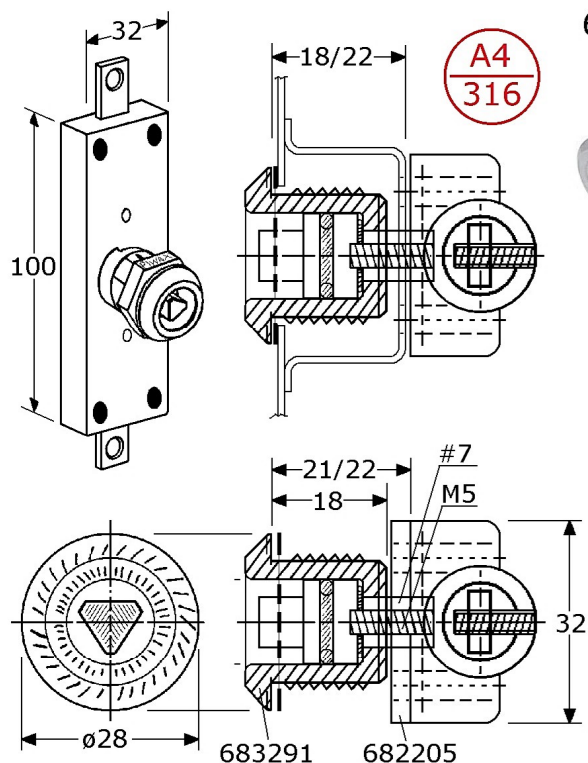
683261

PIWAX door handle $\varnothing 20 \times 120 \text{mm}$
 stainless steel 316/A4 satin polished
 total high 72mm, with stop on every 90°
 with fixed steel nickel square spindle #7x7x30mm
 on rounded rose SS-316/A4 68x30x12mm
 unvisable mounting with white nylon underrose
 underrose: with 2x nocks $\varnothing 10 \text{mm}$ c.t.c. 43mm
 with 2 countersunk screwholes c.t.c. 43mm (5mm)
 in boxes of 10 Pcs.



683265

PIWAX door handle $\varnothing 20 \times 120 \text{mm}$
 stainless steel 316/A4 satin polished
 total high 72mm, with stop on every 90°
 with fixed stainless steel square spindle #7x7x80mm
 on rounded rose SS-316/A4 68x30x12mm
 unvisable mounting with white nylon underrose
 underrose: with 2x nocks $\varnothing 10 \text{mm}$ c.t.c. 43mm
 with 2 countersunk screwholes c.t.c. 43mm (5mm)
 in boxes of 10 Pcs.



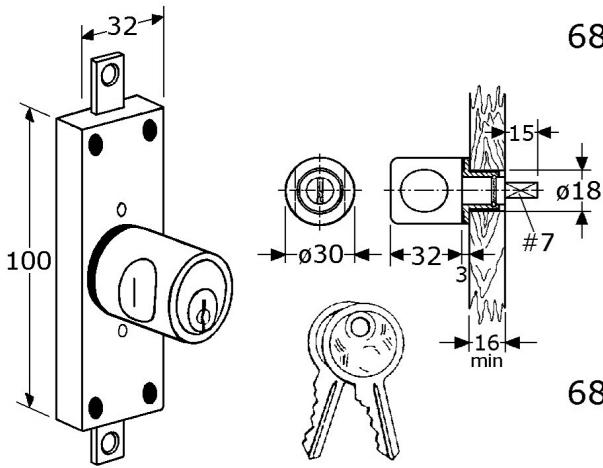
683291

PIWAX quarter-turn latches with triangular $\triangle 8 \text{mm}$
 stainless steel 316/A4/1.4401
 with each inside 1 EPDM "O"-ring (better than IP65)
 seawater continually, water and dust tight
 with each 1 black packing/gasket $\varnothing 28 \times 0,8 \text{mm}$
 body length 18mm, backside with bolt SS-316/A4 M5
 backside #7x7x7mm: for use with 682203/682204
 hole pattern #20,1mm/ $\varnothing 22,5 \text{mm}$
 A. with nut SS-316/A4 M22, for thickness 1-11mm
 B. without nut, for use door thickness 21-22mm
 (with distance plate 682205: for use 18-22mm)
 C. possibly mounting without house M22,
 only use triangular interior $\varnothing 14 \text{mm}$
 D. for smooth opening: remove the back O-ring,
 but then the latch is no longer watertight
 (key to be ordered separately, see page GY-651b)
 in boxes of 10 Pcs.



PIMEX B.V.
 Coenecoop 131
 2741 PJ WADDINXVEEN (NL)
 Tel. (31) 182 - 61 11 66
 Email: info@pimex.nl

PIWAX ESPAGNOLETTE HANDLES



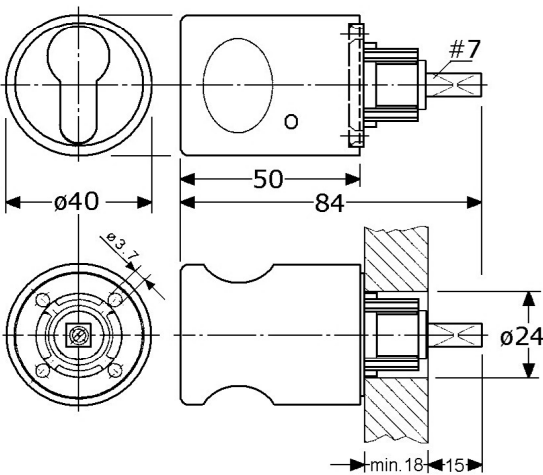
684410

knob $\varnothing 30$ mm, rotating
zink alloy satin-nickel
with short steel square spindle #7x7mm
highness 35mm, with black underrose $\varnothing 30$ mm
with each 2 steel nickel keys, key different
key can be removed when locked and unlocked
hole in the plate $\varnothing 18$ mm
for door thickness 16-24mm
(if you use the distance plate 682205 of PA-6
the door thickness will be reduced 3mm)
in boxes of 10 Pcs. (delivery on request)

684411

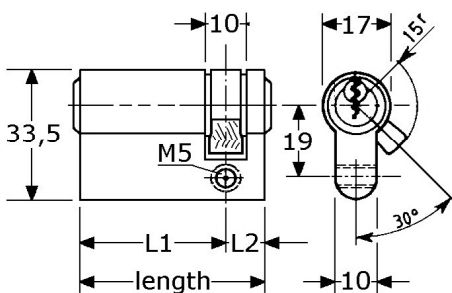


knob $\varnothing 30$ mm, rotating
zink alloy satin-nickel
with short steel square spindle #7x7mm
highness 35mm, with black underrose $\varnothing 30$ mm
with each 2 steel nickel keys, key alike
key can be removed when locked and unlocked
hole in the plate $\varnothing 18$ mm
for door thickness 16-24mm
(if you use the distance plate 682205 of PA-6
the door thickness will be reduced 3mm)
in boxes of 10 Pcs. (delivery on request)



684424

knob $\varnothing 40$ mm, rotating
zink alloy satin-nickel
with short steel square spindle #7x7mm
highness 50mm, with black underrose $\varnothing 40$ mm
without 17mm profile cylinder
(profile cylinder 32+9mm to order separately)
** can be integrated in each key scheme !!! **
hole in the plate $\varnothing 24$ mm
for door thickness 18-26mm
(if you use the distance plate 682205 of PA-6
the door thickness will be reduced 3mm)
in boxes of 10 Pcs.



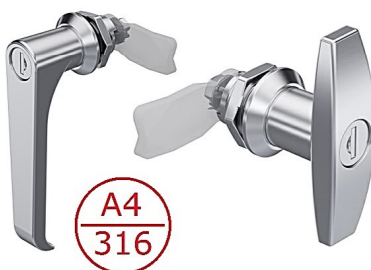
692141

profile cylinder, single 41mm (32+9mm)
brass satin nickel (no SKG)
with 5x steel pins and steel springs
with each 3 brass keys, key different

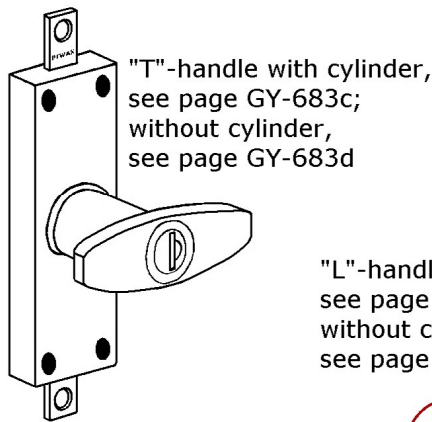
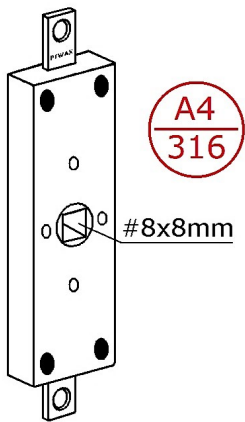
692637

profile cylinder, single 36mm (27+9mm)
brass mirror chrome (SKG**)
with 5x brass pins and stainless springs
seawater continually, protection against corrosion
with each 2 brass keys, key alike

for "T"-handle with cylinder
or "L"-handle with cylinder
with backside #8mm,
see page GY-683b/c



PIMEX B.V.
Coenecoop 131
2741 PJ WADDINXVEEN (NL)
Tel. (31) 182 - 61 11 66
Email: info@pimex.nl



see page GY-683a



wing handle with cylinder, see page GY-683b; without cylinder, see page GY-683d

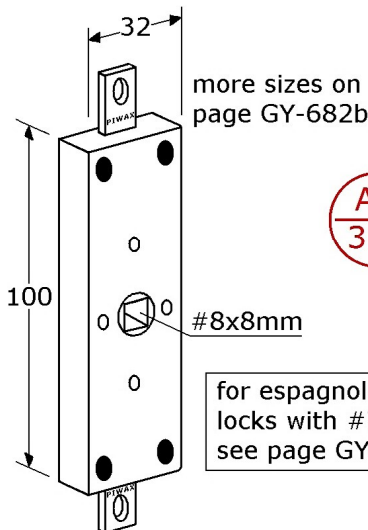
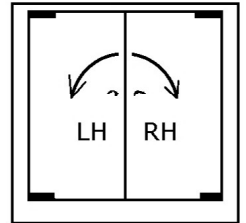
"L"-handle with cylinder, see page GY-683b; without cylinder, see page GY-683d

universal espagnolette rim lock for 8x8mm complete stainless steel, for different use for mounting on backside or front (changing LH/RH) for horizontal and vertical use different possibilities for "T"-handles and "L"-handles



see page GY-683a

mounting example:

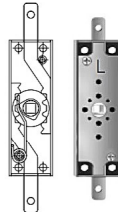


more sizes on page GY-682b



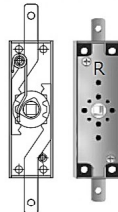
for espagnolette rim locks with #7x7mm, see page GY-680a

682215



PIWAX espagnolette rim lock 100x32mm, LH stainless steel 316/A4 with hub stainless steel 316/A4 #8x8mm case 100x32x14mm with 4 screwholes $\phi 5,2$ mm with 2 ends 10x3mm with each 1 hole $\phi 5,2$ mm (especially for the rod adapter 682219) extension 18mm up, extension 18mm down in boxes of 10 Pcs.

682216



PIWAX espagnolette rim lock 100x32mm, RH stainless steel 316/A4 with hub stainless steel 316/A4 #8x8mm case 100x32x14mm with 4 screwholes $\phi 5,2$ mm with 2 ends 10x3mm with each 1 hole $\phi 5,2$ mm (especially for the rod adapter 682219) extension 18mm up, extension 18mm down in boxes of 10 Pcs.

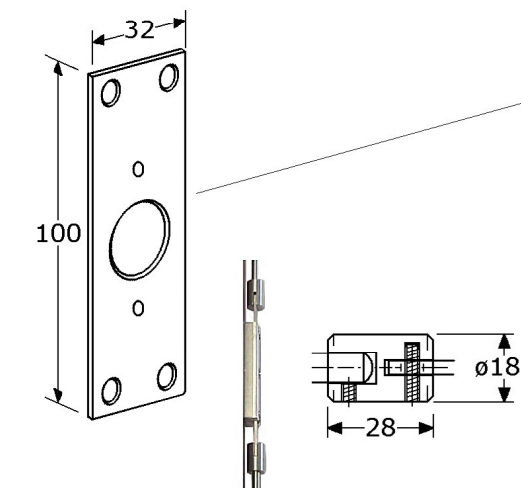
682205

PIWAX distance plate 100x32x5mm out of Polyamide (PA-6 white) for mounting behind the lock 682203/682204 for mounting behind the lock 682215/682216 for isolation or if the door thickness is not enough with big hole $\phi 23$ mm and with 4 screwholes $\phi 6,1$ mm in boxes of 10 Pcs.

682219

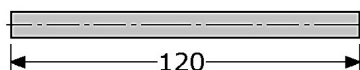


PIWAX rod adapter $\phi 18$ mm stainless steel 316/A4 satin for mounting rod $\phi 8$ mm on the lock 682203/682204 for mounting rod $\phi 8$ mm on the lock 682215/682216 length 28mm, with 2 hexagon socket screws M5 in boxes of 2 Pcs. and 40 Pcs.



839288

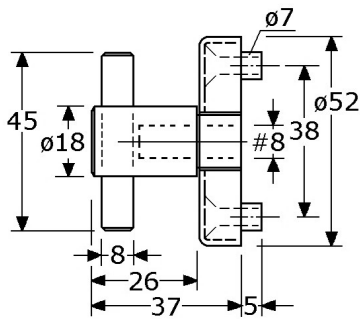
PIWAX square spindle stainless steel 304/A2 #8x8x120mm (without hole)



to get to a nut #8mm which is deeper, PIMEX has a special square spindle (839287) out of stainless steel 316/A4 #8x50/58mm with M6 at the end

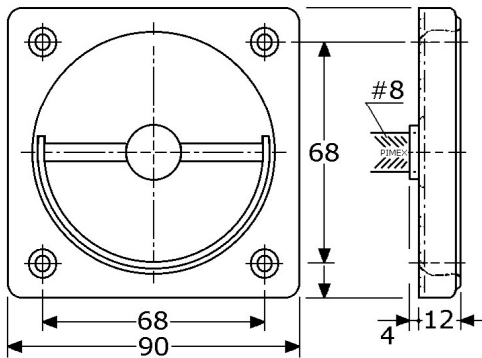


PIMEX B.V.
Coenecoop 131
2741 PJ WADDINXVEEN (NL)
Tel. (31) 182 - 61 11 66
Email: info@pimex.nl



683302

PIWAX knob with handle 45mm stainless steel 304/A2 satin polished diameter knob $\varnothing 18\text{mm}$, highness knob 37mm with loose steel nickel square #8x45mm with rose stainless steel 304/A2 $\varnothing 52 \times 11\text{mm}$ unvisable mounting with nylon underrose $\varnothing 52\text{mm}$ backside: with 2x lugs $\varnothing 7\text{mm}$ on distance 38mm with 2 countersunked screwholes (4mm) c.t.c. 38mm and with 3 coutersunked screwholes (3mm) in boxes of 10 Pcs.

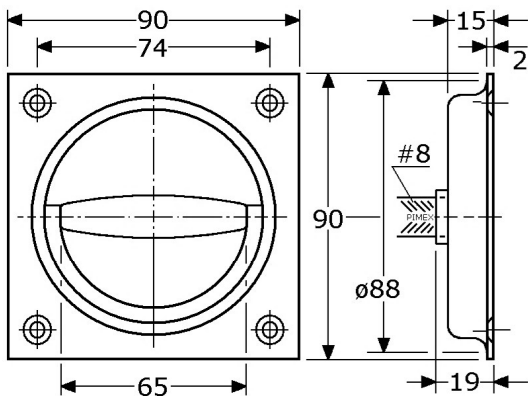
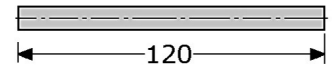


828273

PIWAX flush door lever handle 90x90mm stainless steel 304/A2 satin polished surface mounting, without isolation plate total high 12mm, not for built in with stainless steel handle (without stop) backside: aluminium hub with hole #8x8mm (square spindles has to be ordered separately) minimum hole in the plate $\varnothing 16\text{mm}$ with 4 countersunked screwholes (4mm/M4) in boxes of 10 Pcs.

839288

PIWAX square spindle stainless steel 304/A2 #8x8x120mm, no hole

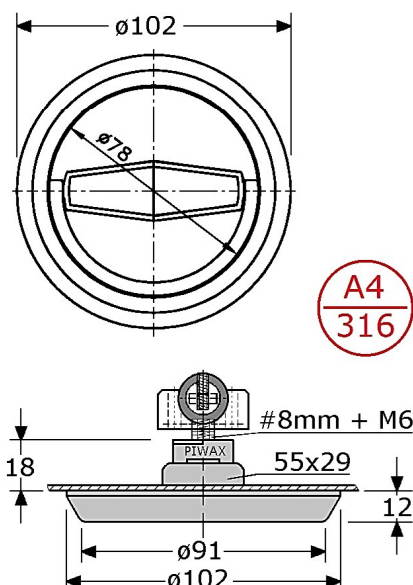
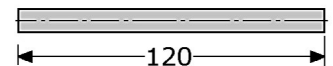


828290

flush door lever handle 90x90mm stainless steel 304/A2 satin polished, 1th quality up-lay 2mm, built in depth 2+13=15mm with stainless steel handle (without stop) backside: hub with hole #8x8mm (square spindles has to be ordered separately) hole in the plate $\varnothing 88\text{mm}$ with 4 countersunked screwholes (4mm/M4) in boxes of 10 Pcs.

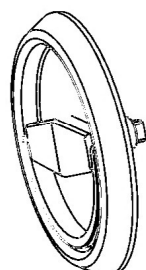
839288

PIWAX square spindle stainless steel 304/A2 #8x8x120mm, no hole

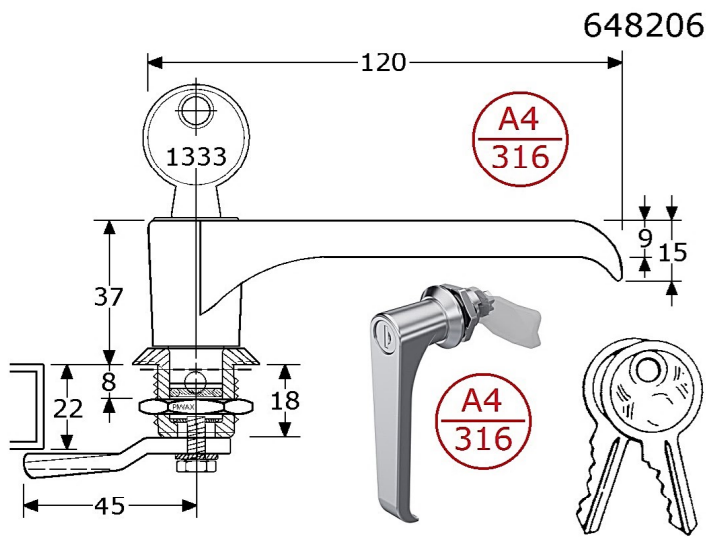


828265

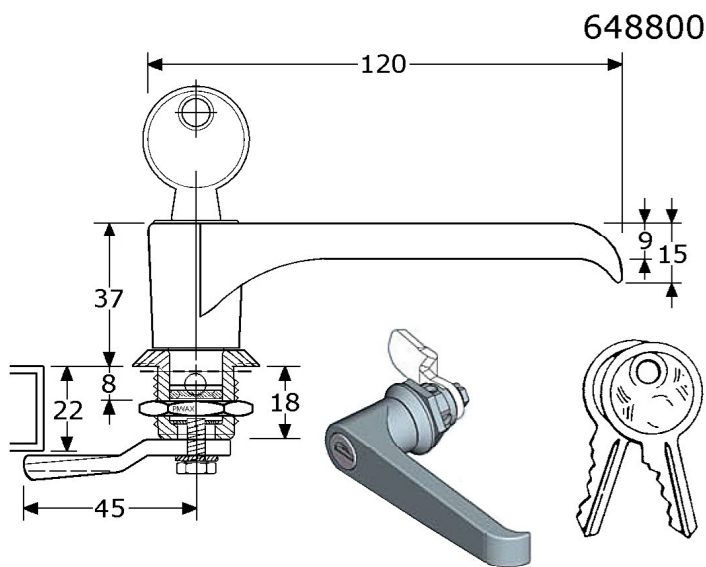
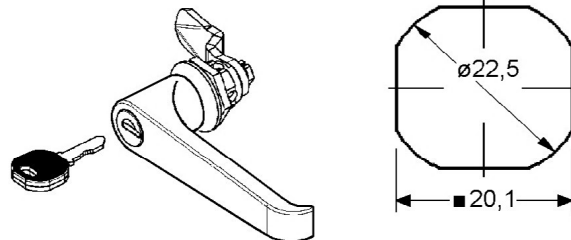
flush door lever handle $\varnothing 102\text{mm}$ stainless steel 316ti/1.4571, 1th quality handle+ring polished, innercircle unpolished total high 12mm, not for built in with stainless steel handle (without stop) seawater continually, with inside black EPDM ring backside: total stainless steel with demontable house 55x29mm (with packing) with short square spindle #8mm for cam with M6 for stainless steel cam (to be ordered separately) for using cams: 180° action limited minimum hole in the plate 50x25mm no holes, unvisable mounting in boxes of 1 Pcs.



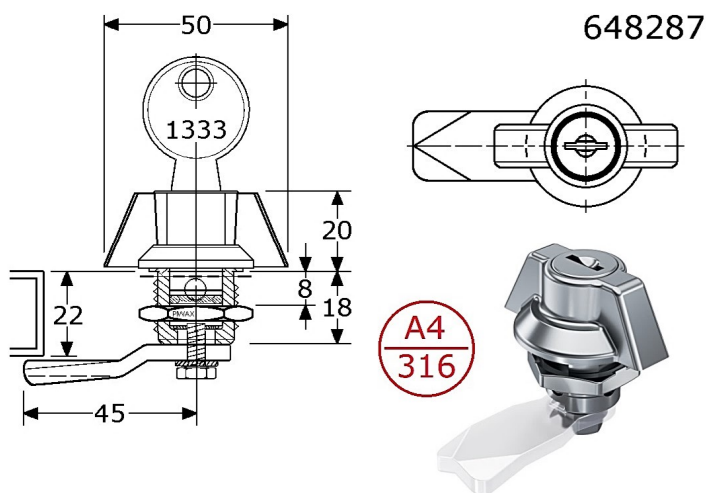
PIWAX B.V.
Coenecoop 131
2741 PJ WADDINXVEEN (NL)
Tel. (31) 182 - 61 11 66
Email: info@pimex.nl



PIWAX "L"-handle length 120mm, with cylinder stainless steel 316/A4 satin polished
 body length 18mm, for maximum 8mm plate with brass nickel cylinder
 with each 2 steel nickel keys, key alike (code 1333) in closed&open position is the key removable
 with each 1 black packing/gasket $\varnothing 28 \times 0,8$ mm
 with each 1 nut stainless steel M22
 backside: #8x8mm, for 90° action limited (cams have to be ordered separately)
 in boxes of 6 Pcs.



PIWAX "L"-handle black polyamid L=120mm with black zinc alloy body
 body length 18mm, for maximum 8mm plate with brass nickel cylinder
 with each 2 steel nickel keys, key alike (code 1333) in closed&open position is the key removable
 with each 1 black packing/gasket $\varnothing 28 \times 0,8$ mm
 with each 1 nut steel zinc plated M22
 backside: #8x8mm, for 90° action limited (cams have to be ordered separately)
 in boxes of 6 Pcs.



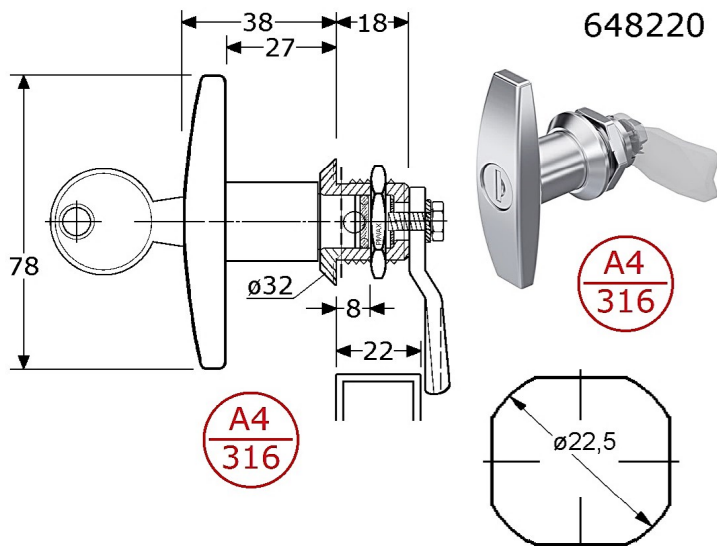
PIWAX wing handle 50mm, with cylinder stainless steel 316/A4 satin polished
 body length 18mm, for maximum 8mm plate with brass nickel cylinder
 with each 2 steel nickel keys, key alike (code 1333) in closed&open position is the key removable
 with each 1 black packing/gasket $\varnothing 28 \times 0,8$ mm
 with each 1 nut stainless steel M22
 backside: #8x8mm, for 90° action limited (cams have to be ordered separately)
 in boxes of 6 Pcs.



to get to a nut #8mm which is deeper, PIMEX has a special square spindle (839287) out of stainless steel 316/A4 #8x50/58mm with M6 at the end



PIMEX B.V.
 Coenecoop 131
 2741 PJ WADDINXVEEN (NL)
 Tel. (31) 182 - 61 11 66
 Email: info@pimex.nl

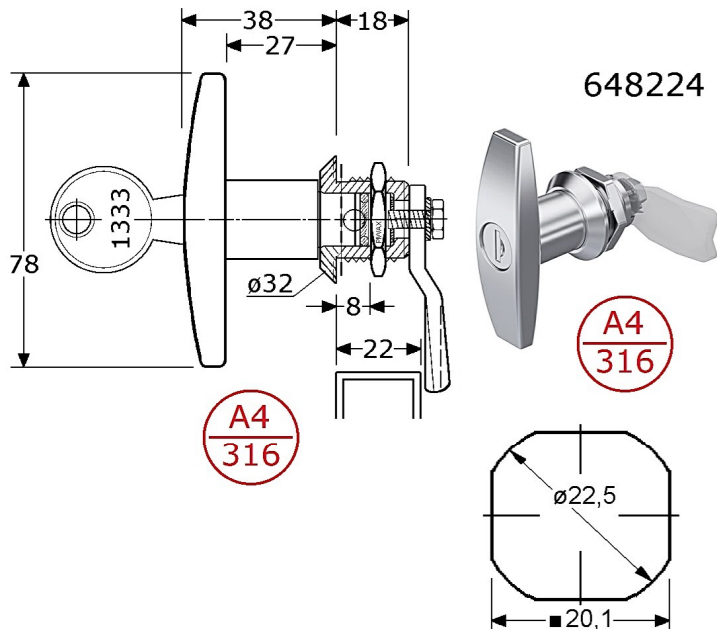
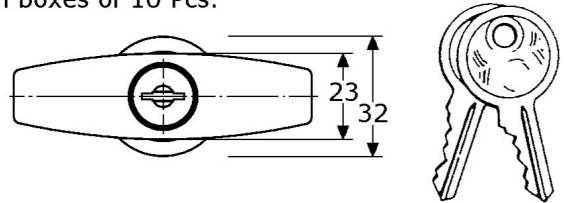


648220 PIWAX "T"-handle 78mm, with brass nickel cylinder stainless steel 316/A4 satin polished body length 18mm, highness handle 38mm with each 2 steel nickel keys, key different in closed&open position is the key removable with rose $\varnothing 32$ mm, for lock 682215/682216 backside: fixed square stainless steel 316 #8x8mm length square 3mm, with hole M6 hole pattern #20,1x20,1mm / $\varnothing 22,5$ mm

A. use the nut stainless steel 316/A4 M22, maximum door thickness 8mm

B. if you use not the nut M22, the door thickness can be 21-22mm (if you use the distance plate 682205 of PA-6, the door thickness will be reduced 3mm)

C. use special square spindle SS-316/A4 #8x50/58mm for bigger door thickness in boxes of 10 Pcs.

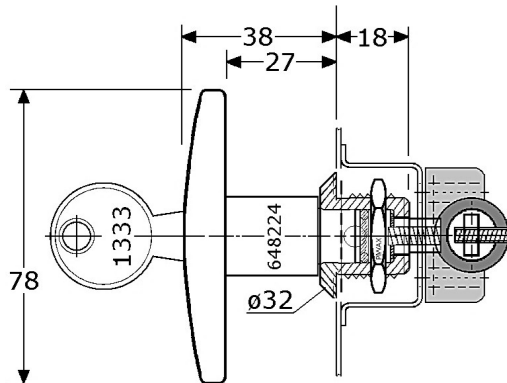
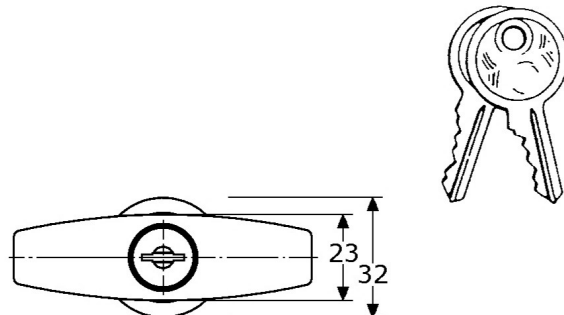


648224 PIWAX "T"-handle 78mm, with brass nickel cylinder stainless steel 316/A4 satin polished body length 18mm, highness handle 38mm with each 2 steel nickel keys, key alike (code 1333) in closed&open position is the key removable with rose $\varnothing 32$ mm, for lock 682215/682216 backside: fixed square stainless steel 316 #8x8mm length square 3mm, with hole M6 hole pattern #20,1x20,1mm / $\varnothing 22,5$ mm

A. use the nut stainless steel 316/A4 M22, maximum door thickness 8mm

B. if you use not the nut M22, the door thickness can be 21-22mm (if you use the distance plate 682205 of PA-6, the door thickness will be reduced 3mm)

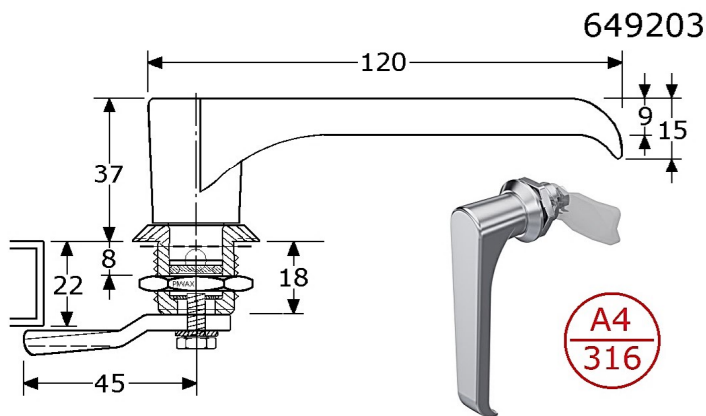
C. use special square spindle SS-316/A4 #8x50/58mm for bigger door thickness in boxes of 10 Pcs.



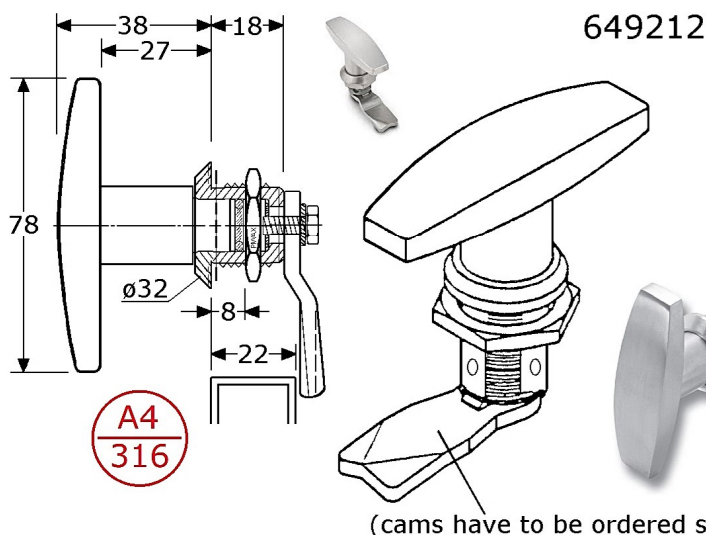
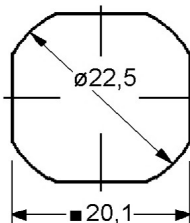
to get to a nut #8mm which is deeper, PIMEX has a special square spindle (839287) out of stainless steel 316/A4 #8x50/58mm with M6 at the end



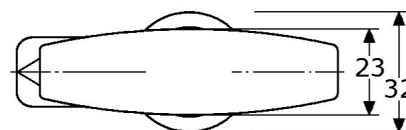
PIMEX B.V.
Coenecoop 131
2741 PJ WADDINXVEEN (NL)
Tel. (31) 182 - 61 11 66
Email: info@pimex.nl



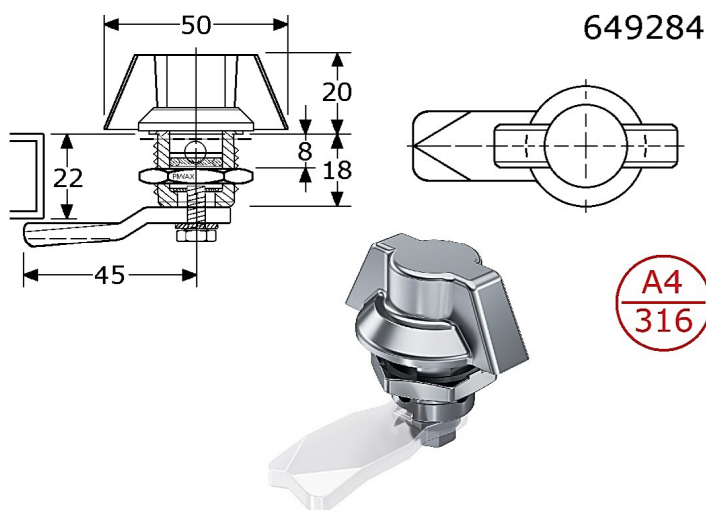
PIWAX "L"-handle length 120mm
 stainless steel 316/A4 satin polished
 body length 18mm, for maximum 8mm plate
 highness "L"-handle 37mm (without cylinder)
 with each 1 black packing/gasket $\varnothing 28 \times 0,8$ mm
 with each 1 nut stainless steel 316/A4 M22
 backside: #8x8mm, for 90° action limited
 (cams have to be ordered separately)
 in boxes of 6 Pcs.



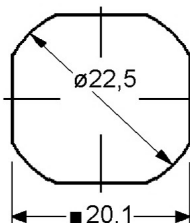
PIWAX "T"-handle 78mm
 stainless steel 316/A4 satin polished
 body length 18mm, for maximum 8mm plate
 highness "T"-handle 38mm (without cylinder)
 with each 1 black packing/gasket $\varnothing 28 \times 0,8$ mm
 with each 1 nut stainless steel 316/A4 M22
 backside: #8x8mm, for 90° action limited
 (cams have to be ordered separately)
 in boxes of 6 Pcs.



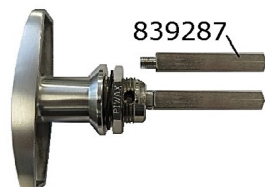
(cams have to be ordered separately)



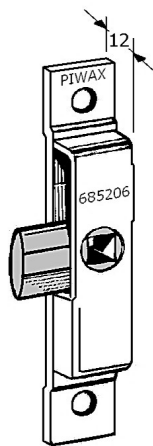
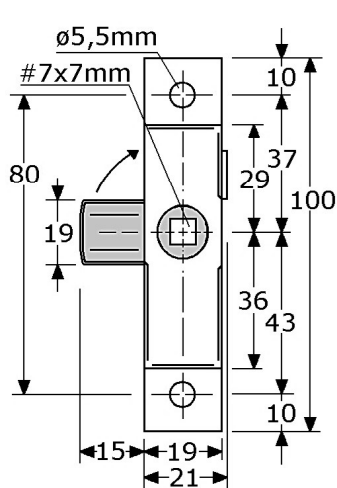
PIWAX wing handle 50mm
 stainless steel 316/A4 satin polished
 body length 18mm, for maximum 8mm plate
 highness wing handle only 20mm (without cylinder)
 with each 1 black packing/gasket $\varnothing 28 \times 0,8$ mm
 with each 1 nut stainless steel 316/A4 M22
 backside: #8x8mm, for 90° action limited
 (cams have to be ordered separately)
 in boxes of 6 Pcs.



to get to a nut #8mm which is
 deeper, PIMEX has a special
 square spindle (839287)
 out of stainless steel 316/A4
 #8x50/58mm with M6 at
 the end

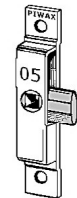


PIMEX B.V.
 Coenecoop 131
 2741 PJ WADDINXVEEN (NL)
 Tel. (31) 182 - 61 11 66
 Email: info@pimex.nl



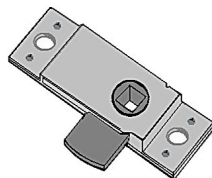
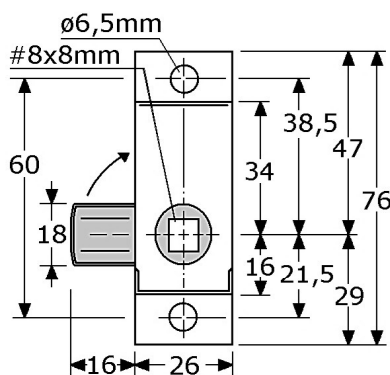
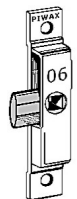
685205

PIWAX latches 100x19mm stainless steel 304/A2, with hub #7x7mm with conical solid casting stainless steel bolt extension 15mm, turns only 90° to 1 side = LEFT case thickness 12mm, bolt thickness 5,5mm with 2 screwholes ø5,5mm (centre-centre 80mm) in boxes of 25 Pcs.



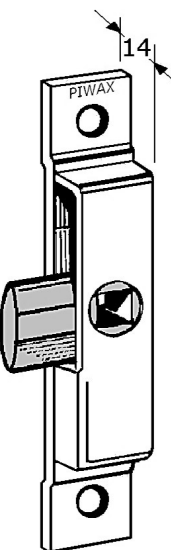
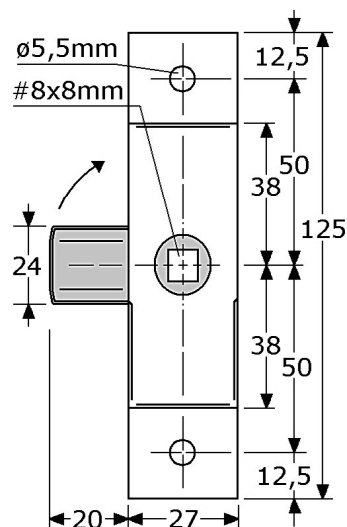
685206

PIWAX latches 100x19mm stainless steel 304/A2, with hub #7x7mm with conical solid casting stainless steel bolt extension 15mm, turns only 90° to 1 side = RIGHT case thickness 12mm, bolt thickness 5,5mm with 2 screwholes ø5,5mm (centre-centre 80mm) in boxes of 25 Pcs.



685224

PIWAX latches 76x26mm stainless steel 316/A4, with hub #8x8mm with conical solid casting stainless steel 316/A4 bolt extension 16mm, turns 90° to both sides (LH/RH) small case thickness 9,5mm, ultra flat bolt thickness 4,5mm with 2 screwholes ø6,5mm (centre-centre 60mm) in boxes of 25 Pcs.



685214

PIWAX latches 125x27mm stainless steel 304/A2, with hub #8x8mm with conical solid casting stainless steel bolt extension 20mm, turns 90° to both sides (LH/RH) case thickness 14mm, bolt thickness 7,5mm with 2 screwholes ø5,5mm (centre-centre 100mm) in boxes of 25 Pcs.



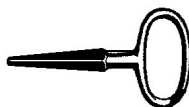
685127

square key, hook type 40+60mm stainless steel 316/A4 for #7x7mm (not-conical)



685109

square key with big eye, total length 90mm steel nickel plated conical, for #4x4mm till #9x9mm



685112

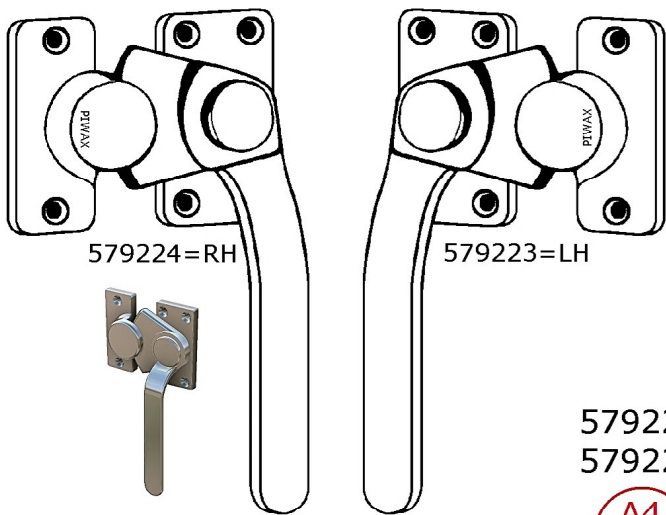
square "T"-key, long type, total length 125mm steel nickel plated conical, for #6x6mm till #9x9mm



for stainless steel door handle and flush door handle, see pages GY-681a/b and GY-683a/b/c/d



PIWAX B.V.
Coenecoop 131
2741 PJ WADDINXVEEN (NL)
Tel. (31) 182 - 61 11 66
Email: info@pimex.nl

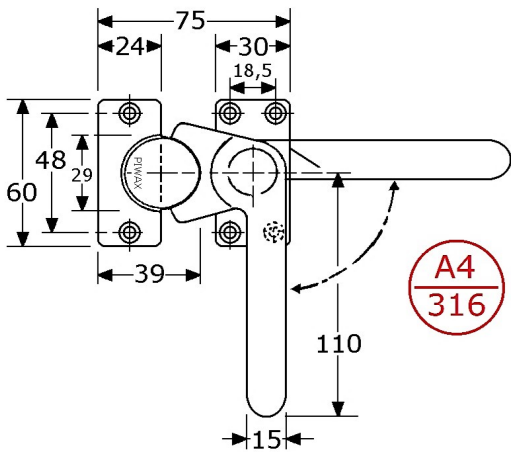
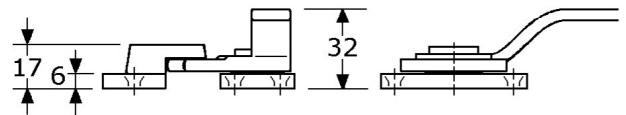


door/hatch toggle, 110mm
 stainless steel 316/A4 mirror polished
 with conical shaft, for flat surface single use
 with stop: for maximum turnable 90°
 for small door or hatch
 total highness 32mm
 narrow mounting plate 60x30x6mm
 with 4 countersunk screwholes (4,2mm/M4)
 rim keeper plate:
 60x24/39x6mm, total highness 17mm
 with 2 countersunk screwholes (4,2mm/M4)
 in boxes of 12 Pcs.

579223
 579224

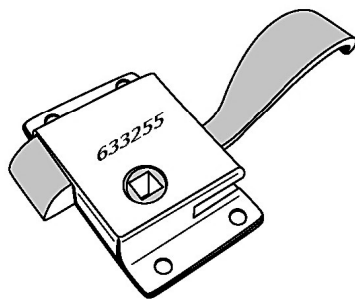
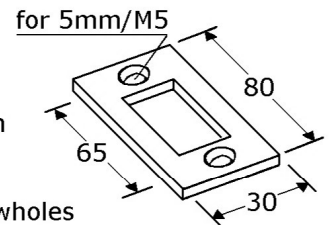


door/hatch toggle SS-316/A4 LH
 door/hatch toggle SS-316/A4 RH



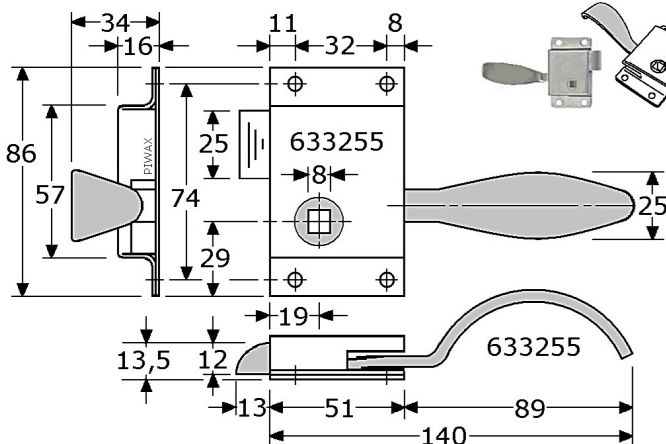
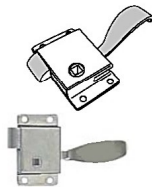
506219

striking plate 80x30x3mm
 stainless steel 316/A4
 flat, with hole 40x10mm
 with 2 countersunk screwholes



633255

PIWAX rim lock, left
 stainless steel 304/A2 (not polished)
 with stainless steel handle (not polished)
 with stainless steel hub #8mm, backset 19mm
 solid stainless steel latch bolt, extension 13mm
 thickness latch bolt 1-12mm, stand not changable
 case 86x51x16mm, spring loaded
 for use by #8mm or use by the handle
 with 4 screwholes ø6mm
 in boxes of 10 Pcs

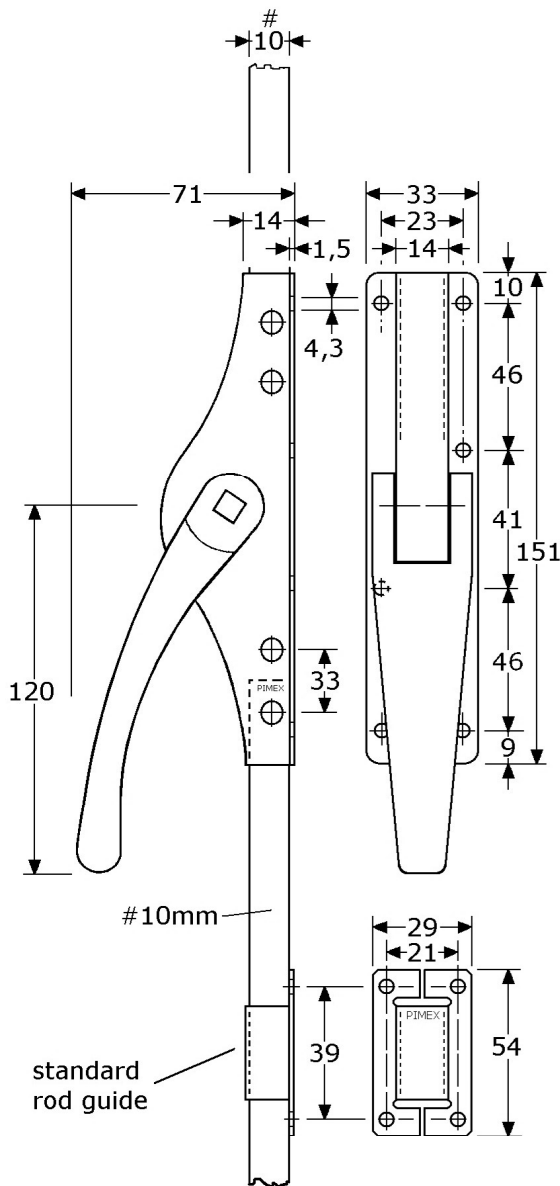


633256

PIWAX rim lock, right
 stainless steel 304/A2 (not polished)
 with stainless steel handle (not polished)
 with stainless steel hub #8mm, backset 19mm
 solid stainless steel latch bolt, extension 13mm
 thickness latch bolt 1-12mm, stand not changable
 case 86x51x16mm, spring loaded
 for use by #8mm or use by the handle
 with 4 screwholes ø6mm
 in boxes of 10 Pcs



PIMEX B.V.
 Coenecoop 131
 2741 PJ WADDINXVEEN (NL)
 Tel. (31) 182 - 61 11 66
 Email: info@pimex.nl



686200 pump espagnolette for square rods #10mm stainless steel 304/A2 casting handle stainless steel 304/A2 satin polished (handle in closed position down) handle length 120mm, highness 71mm for 2-point: going up 33mm and going down 33mm case 151x33mm, under plate 151x33mm with each 2x rod guides stainless steel 304/A2 (square rods #10mm to be ordered separately) in boxes of 1 Pcs.

686203 square rod #10x1000mm stainless steel 304/A2 (out of 1 piece) length 1000mm with one end drilled in boxes of 2 Pcs.

686204 square rod #10x1500mm stainless steel 304/A2 (out of 1 piece) length 1500mm with one end drilled in boxes of 2 Pcs.

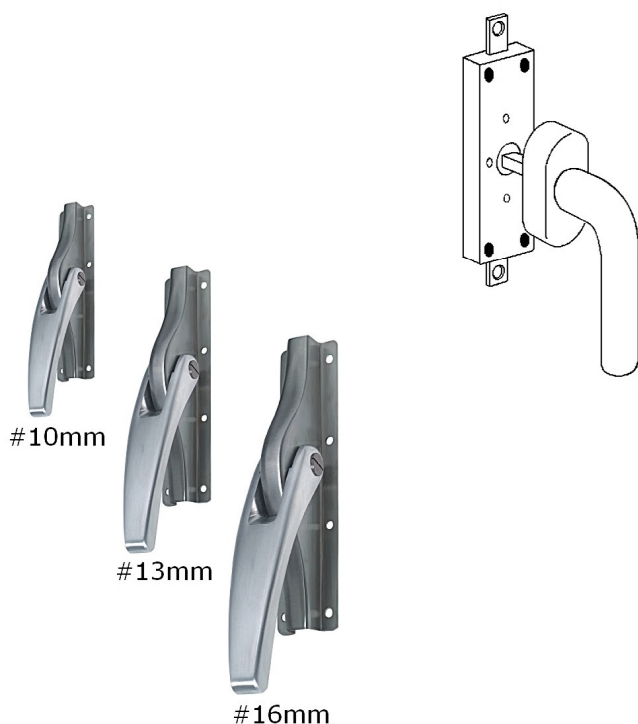
686207 square rod #10x3000mm stainless steel 304/A2 (out of 1 piece) length 3000mm with both ends drilled

highness: 2x rod +57mm (closed +123mm)
rod 1000+1000mm: max. door highness 2057mm
rod 1000+1500mm: max. door highness 2557mm
rod 1000+3000mm: max. door highness 4057mm

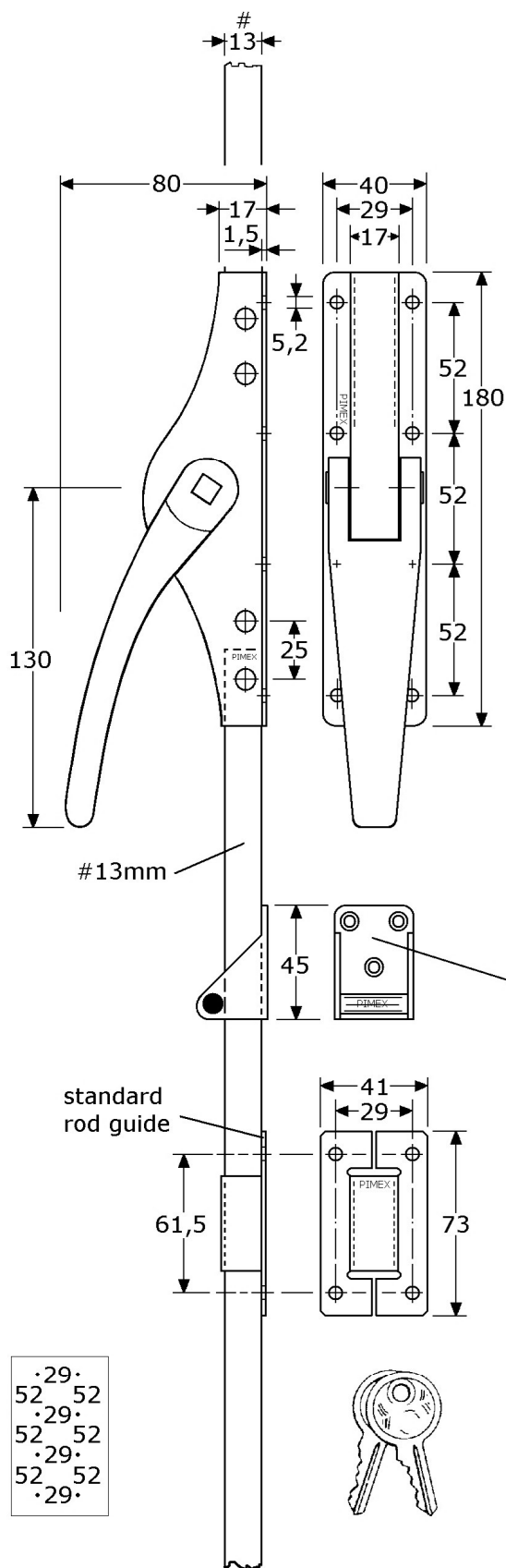
for pump espagnolette for square rods #13mm for 2-point, see page GY-687b (normally in stock)

for pump espagnolette for square rods #16mm for 2-point, see page GY-687c (normally in stock)

for PIWAX espagnolette rim locks for rods ø8mm stainless steel 316/A4, with hub #7x7mm (see page GY-680a & 680b) with hub #8x8mm (see page GY-682a & 682b) with all kind of door handles, "T" handles or flush door lever handles out of stainless steel (normally in stock)



PIMEX B.V.
Coenecoop 131
2741 PJ WADDINXVEEN (NL)
Tel. (31) 182 - 61 11 66
Email: info@pimex.nl



686210



pump espagnolette for square rods #13mm
 stainless steel 304/A2
 casting handle stainless steel 304/A2 satin polished
 (handle in closed position down)
 handle length 130mm, highness 80mm
 for 2-point: going up 18mm and going down 25mm
 case 180x40mm, under plate 180x40mm
 with each 3x rod guides stainless steel 304/A2
 (square rods #13mm to be ordered separately)
 in boxes of 1 Pcs.

686214



square rod #13x1250mm
 stainless steel 304/A2 (out of 1 piece)
 length 1250mm with one end drilled
 in boxes of 2 Pcs.

686215



square rod #13x1700mm
 stainless steel 304/A2 (out of 1 piece)
 length 1700mm with one end drilled
 in boxes of 2 Pcs.

686217



square rod #13x3000mm
 stainless steel 304/A2 (out of 1 piece)
 length 3000mm with both ends drilled

highness: 2x rod +80mm (closed +123mm)
 rod 1250+1250mm: max. door highness 2580mm
 rod 1250+1750mm: max. door highness 3080mm
 rod 1250+3000mm: max. door highness 4330mm

686230



rod guide for square rod #13mm
 stainless steel 304/A2
 with stainless steel roller, heavy duty
 with 3 countersunked screwholes (4,5mm)
 in boxes of 10 Pcs.

686211

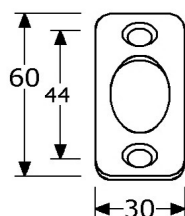


pump espagnolette for square rods #13mm
 stainless steel 304/A2
 with aluminium handle with brass chrome cylinder
 with each 2x nickel keys
 (handle in closed position down)
 handle length 130mm, highness 80mm
 for 2-point: going up 18mm and going down 25mm
 case 180x40mm, under plate 180x40mm
 with each 3x rod guides stainless steel 304/A2
 (square rods #13mm to be ordered separately)
 in boxes of 1 Pcs.

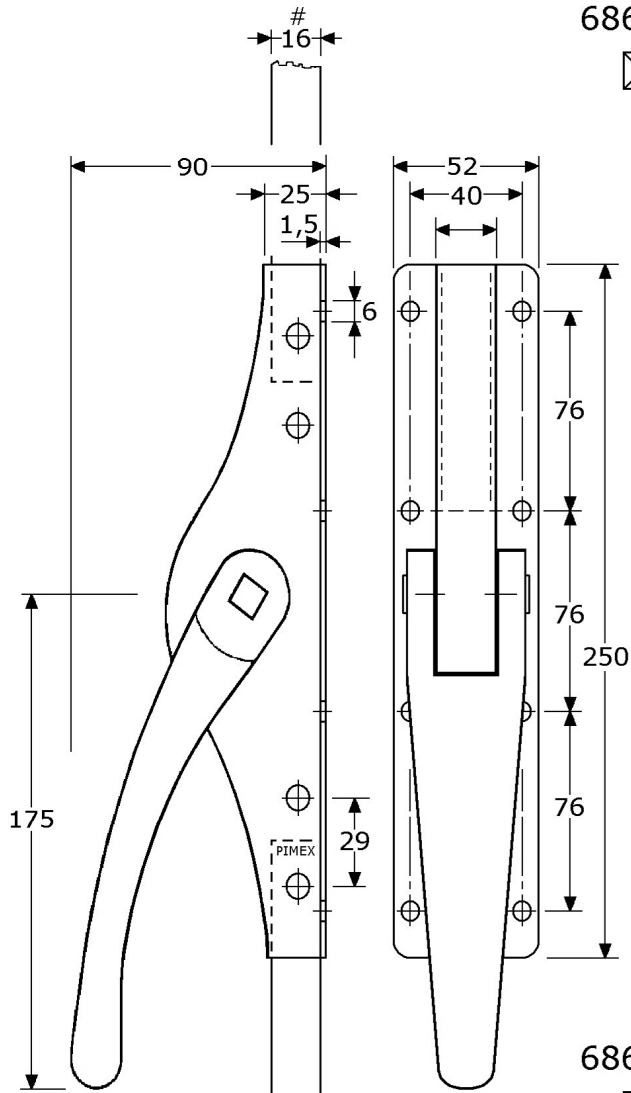
686237



bottom plate for square rod #13mm and #16mm
 stainless steel 304/A2 (type 514207)
 with 2 countersunked screwholes (5/6mm)



PIMEX B.V.
 Coenecoop 131
 2741 PJ WADDINXVEEN (NL)
 Tel. (31) 182 - 61 11 66
 Email: info@pimex.nl



686220



pump espagnolette for square rods #16mm
 stainless steel 304/A2
 casting handle stainless steel 304/A2 satin polished
 (handle in closed position down)
 handle length 175mm, highness 90mm
 for 2-point: going up 29mm and going down 29mm
 case 250x52mm, under plate 250x52mm
 with each 4x rod guides stainless steel 304/A2
 (square rods #16mm to be ordered separately)
 in boxes of 1 Pcs.

| | | |
|------|----|----|
| ·40· | 76 | 76 |
| ·40· | 76 | 76 |
| ·40· | 76 | 76 |
| ·40· | 76 | 76 |



#16mm

#16mm

686224



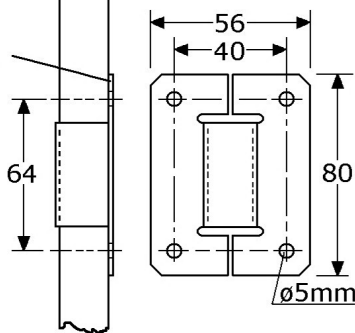
square rod #16x1500mm
 stainless steel 304/A2 (out of 1 piece)
 length 1500mm with one end drilled

686227

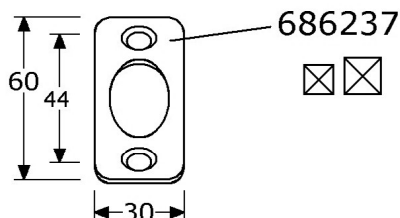


square rod #16x3000mm
 stainless steel 304/A2 (out of 1 piece)
 length 3000mm with both ends drilled

standard rod guide



highness: 2x rod +73mm (closed +131mm)
 rod 1000+1000mm: max. door highness 2073mm
 rod 1000+2000mm: max. door highness 3073mm
 rod 1000+3000mm: max. door highness 4073mm



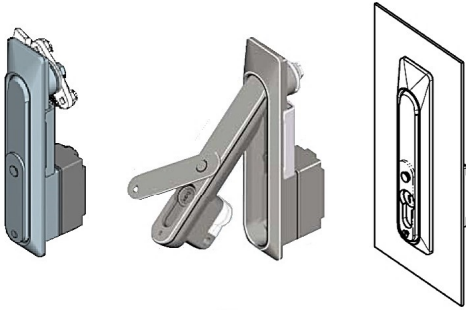
686237



bottom plate for square rod #13mm and #16mm
 stainless steel 304/A2 (type 514207)
 with 2 countersunk screwholes (5/6mm)



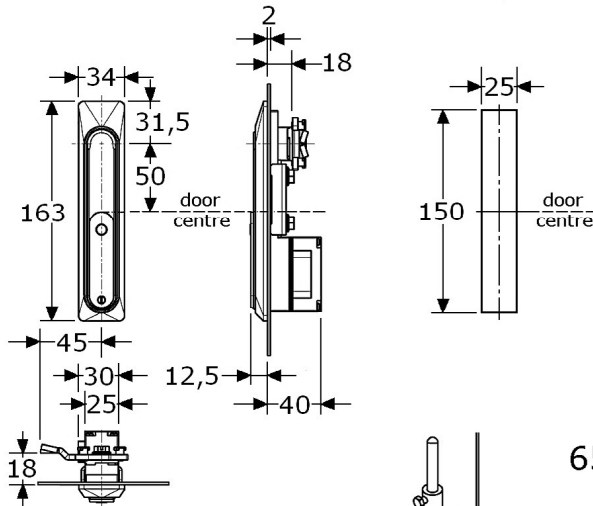
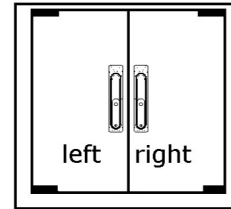
PIMEX B.V.
 Coenecoop 131
 2741 PJ WADDINXVEEN (NL)
 Tel. (31) 182 - 61 11 66
 Email: info@pimex.nl



680226

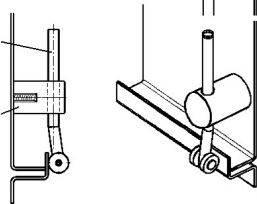


swinghandle for 3-point cam
 stainless steel 316/A4
 for single profile cylinder 27+9=36mm
 (profile cylinder like 692637 to order separately)
 or stainless steel profile cylinder with triangular 8mm
 (profile cylinder 692240 to order separately)
 outside 165x34mm, for cut out 150x25mm
 pull and swing (90°) handle, for left or right
 with stainless steel cylinder cover
 backside #8x8mm with bolt M6
 for maximum 8mm door thickness
 3-point cam 650226 to order separately
 rods ø8mm to order separately, see page GY-680b
 (customer has to bend a little "Z" in the rod)
 rod guides to order separately, see page GY-680b
 (mounting the rod guides only at the ends)



for rods ø8mm,
 see page GY-680b

for rod guides,
 see page GY-680b

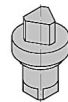


650226

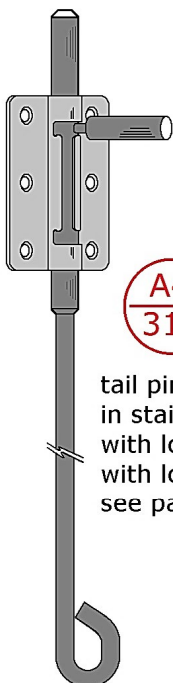
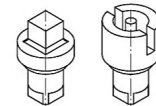
PIWAX 3-point cam high +/-10mm
 stainless steel 304/A2
 length till centre (#8mm/M6) 45mm, thickness 4mm
 with 2x nock ø6mm & with 2x retaining rings
 with 2x adapters ø16mm, extension 18+18=36mm
 (quarter-turn latches to be ordered separately)
 in boxes of 12 Pcs.

692240

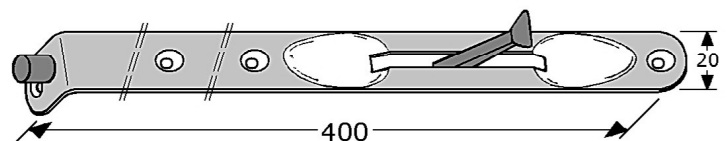
profile cylinder, single 41mm (31+10mm)
 stainless steel 316/A4
 with stainless steel spring, with triangular 8mm
 maximum turn 45°
 only for swinghandle like 680226
 (not for normal door locks with dead bolt)
 triangular keys to order separately, see GY-651b



also possible:
 - with double bit ø3mm
 - with square #8mm



tail pin bolt
 in stainless steel 316/A4
 with long tail 500mm (515205)
 with long tail 750mm (515207)
 see page GY-514 (group 05)



flush door bolts in stainless steel 304/A2
 like 200x19mm (509213) or 400x20mm (509224)
 for mounting in the second door,
 see page GY-504 (group 05)



PIMEX B.V.
 Coenecoop 131
 2741 PJ WADDINXVEEN (NL)
 Tel. (31) 182 - 61 11 66
 Email: info@pimex.nl