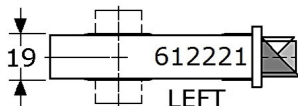
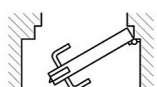


LEFT



**612221**

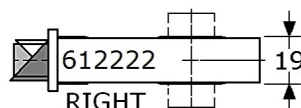
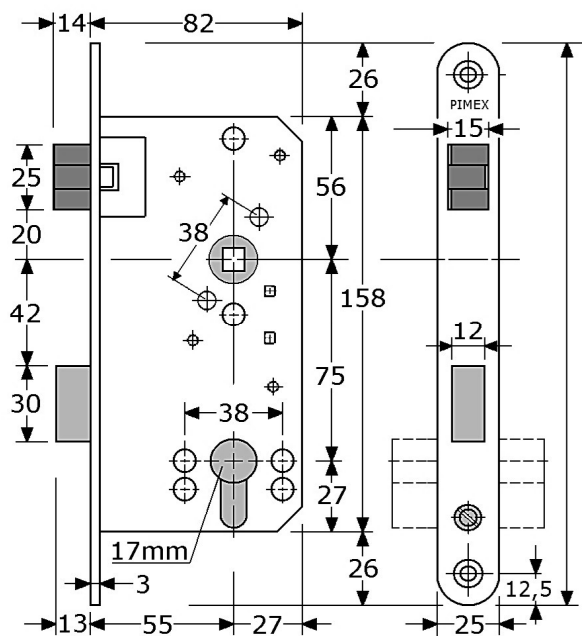
PIWAX mortice door lock for profile cylinder stainless steel 304/A2, for LH left doors for standard 17mm cylinder (to order separately) distance keyhole 75mm, backset 55mm case stainless steel 304/A2 158x79/82x19mm case stainless steel with brass rivets with brass hub #9x9mm brass nickel triple latch bolt (not reversible) without latch lever (latch bolt not served by cylinder) brass nickel dead bolt 30x12mm 1 turn, extension 13mm, for #9x9mm spindle inside parts brass & stainless steel with front plate SS-304/A2 polished 210x25x3mm rounded corners, with hole M5 for profile cylinder (cylinder+handle+striking plate to order separately) delivery on request



RIGHT

**612222**

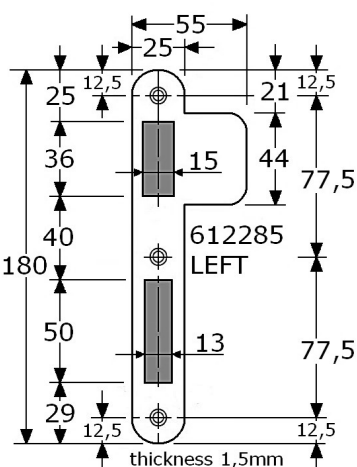
PIWAX mortice door lock for profile cylinder stainless steel 304/A2, for LH left doors for standard 17mm cylinder (to order separately) distance keyhole 75mm, backset 55mm case stainless steel 304/A2 158x79/82x19mm case stainless steel with brass rivets with brass hub #9x9mm brass nickel triple latch bolt (not reversible) without latch lever (latch bolt not served by cylinder) brass nickel dead bolt 30x12mm 1 turn, extension 13mm, for #9x9mm spindle inside parts brass & stainless steel with front plate SS-304/A2 polished 210x25x3mm rounded corners, with hole M5 for profile cylinder (cylinder+handle+striking plate to order separately) delivery on request



for profile cylinder, see page GF-694 & GF-695



for door handles in stainless steel, see from page GY-801



612285 LEFT

**612285**

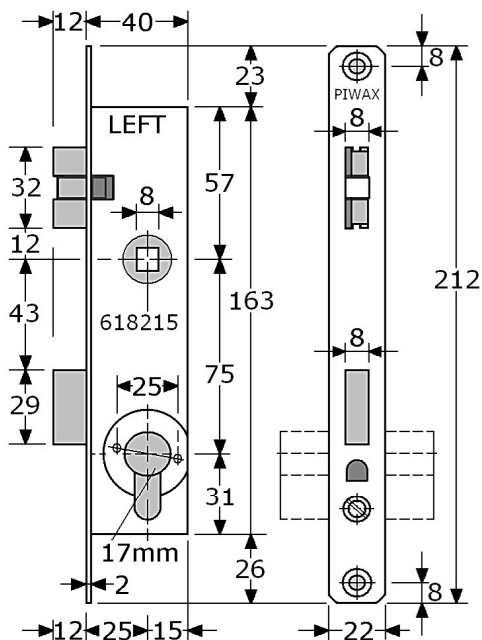
striking plate for mortice lock 612221 stainless steel 304/A2 satin 180x25/55x1,5mm, for LH left doors (as drawing) with 3 countersunk screwholes (for 4mm/M4) packing: 12 Pcs.

**612286**

striking plate for mortice lock 612222 stainless steel 304/A2 satin 180x25/55x1,5mm, for RH right doors with 3 countersunk screwholes (for 4mm/M4) packing: 12 Pcs.

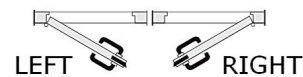
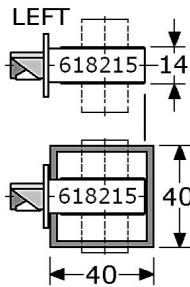


**PIWAX B.V.**  
Coenecoop 131  
2741 PJ WADDINXVEEN (NL)  
Tel. (31) 182 - 61 11 66  
Email: info@pimex.nl

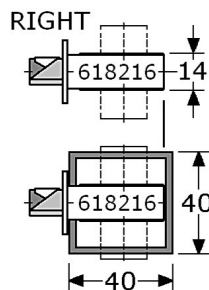
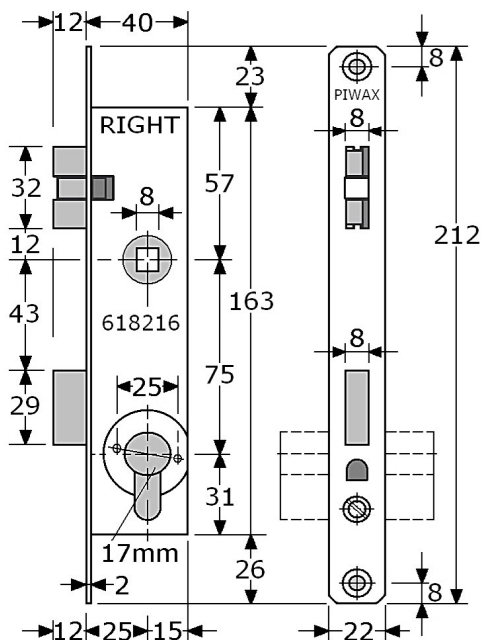


**618215**

PIWAX mortice door lock for profile cylinder stainless steel 304/A2, for LH left doors for narrow doors, mounting possible in profile 40mm for standard 17mm cylinder (to order separately) distance keyhole 75mm, backset 25mm open case stainless steel 304/A2 163x38/40x14mm with brass hub #8x8mm brass nickel triple latch bolt (not reversible) without latch lever (latch bolt not served by cylinder) brass nickel dead bolt 29x8mm 1 turn, extension 12mm, for #8x8mm spindle inside parts brass & stainless steel with front plate stainless steel 304/A2 212x22x2mm, square corners, with hole M5 for profile cylinder (cylinder+handle+striking plate to order separately)



**618216**



PIWAX mortice door lock for profile cylinder stainless steel 304/A2, for RH right doors for narrow doors, mounting possible in profile 40mm for standard 17mm cylinder (to order separately) distance keyhole 75mm, backset 25mm open case stainless steel 304/A2 163x38/40x14mm with brass hub #8x8mm brass nickel triple latch bolt (not reversible) without latch lever (latch bolt not served by cylinder) brass nickel dead bolt 29x8mm 1 turn, extension 12mm, for #8x8mm spindle inside parts brass & stainless steel with front plate stainless steel 304/A2 212x22x2mm, square corners, with hole M5 for profile cylinder (cylinder+handle+striking plate to order separately)



for door handles in stainless steel, see from page GY-801 (group 08)



for profile cylinder, see page GF-694 & GF-695

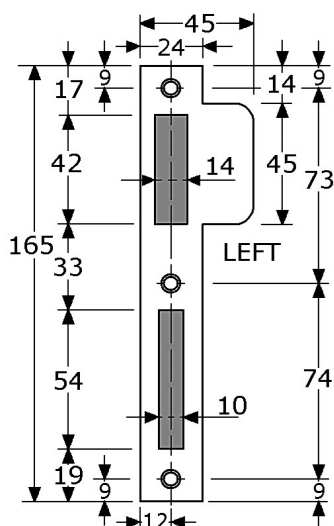


**620285**

striking plate for mortice lock 618215 stainless steel 316/A4 satin 165x24/45x1,5mm, for LH left doors (as drawing) with 3 countersunked screwholes (for 4mm/M4) packing: 12 Pcs.

**620286**

striking plate for mortice lock 618216 stainless steel 316/A4 satin 165x24/45x1,5mm, for RH right doors with 3 countersunked screwholes (for 4mm/M4) packing: 12 Pcs.

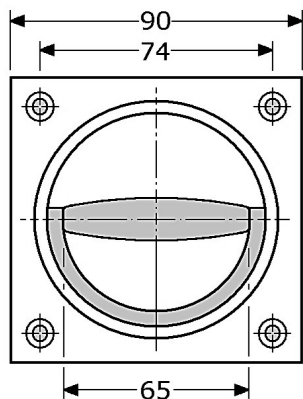
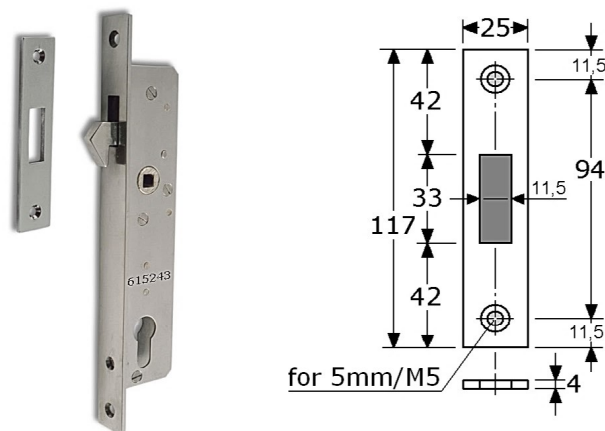
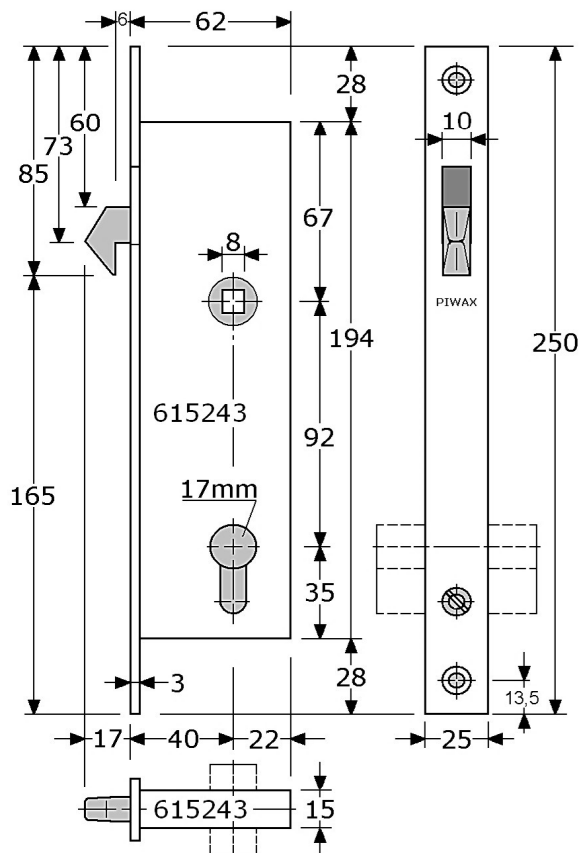


**PIWAX B.V.**  
Coenecoop 131  
2741 PJ WADDINXVEEN (NL)  
Tel. (31) 182 - 61 11 66  
Email: info@pimex.nl



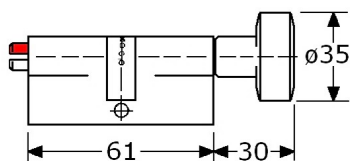
**615243**

PIWAX mortice door lock for profile cylinder stainless steel 304/A2 for sliding door for standard 17mm cylinder (to order separately) distance keyhole 92mm, backset 40mm case stainless steel 304/A2 194x59/62x15mm with brass hub #8x8mm, no left or right brass nickle hook bolt, width 10mm moving the hook bolt by pushing a door handle pushing a door handle: the hook bolt rise  $\pm 16$ mm if the cylinder is closed: the hook bolt is blocked inside parts stainless steel & brass; open case with front plate stainless steel 304/A2 250x25x3mm square corners, with hole M5 for profile cylinder with striking plate brass chrome 117x25x4mm (cylinder+handle to order separately)



for stainless steel flush door lever handle, see page GY-828

for stainless steel 316/A4 door handles, see from page GY-801 (group 08)

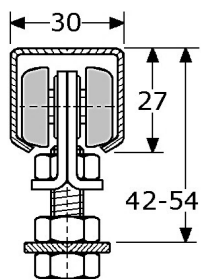


**692499**

profile cylinder for bathroom use brass nickel plated, totally 61mm (30½+30½mm) with red/white indicator with at the backsite nickel knob



for other profile cylinder, see page GF-694 & GF-695



for sliding door rails in stainless steel 316/A4, see from page GY-944



**PIMEX B.V.**  
Coenecoop 131  
2741 PJ WADDINXVEEN (NL)  
Tel. (31) 182 - 61 11 66  
Email: info@pimex.nl

**620270**

**PIMEX SUPER INOX (PSI) heavy duty door lock stainless steel 316/A4 for heavy duty doors for standard 17mm cylinder (to order separately) distance keyhole 72mm, backset 65mm case stainless steel 304/A2 165x95/98x16mm stainless steel 316/A4 day latch bolt (out of 1 piece) without latch lever (latch bolt not served by cylinder) stainless steel 316/A4 dead bolt 35x8mm 2 turns, extension 11/22mm, for #9mm spindle with complete stainless steel inside parts & springs seawater protected, heavy duty, very good quality inside parts reversible for LH or RH doors with front plate stainless steel 304/A2 235x24x3mm, rounded off, with hole M5 for profile cylinder (cylinder+handle+striking plate to order separately)**

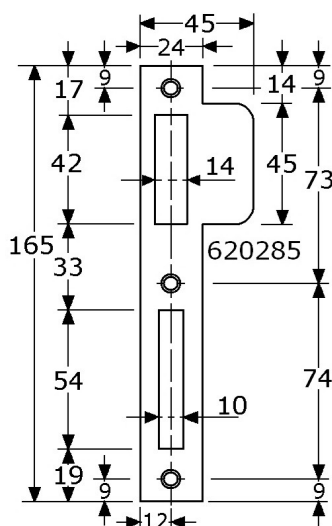
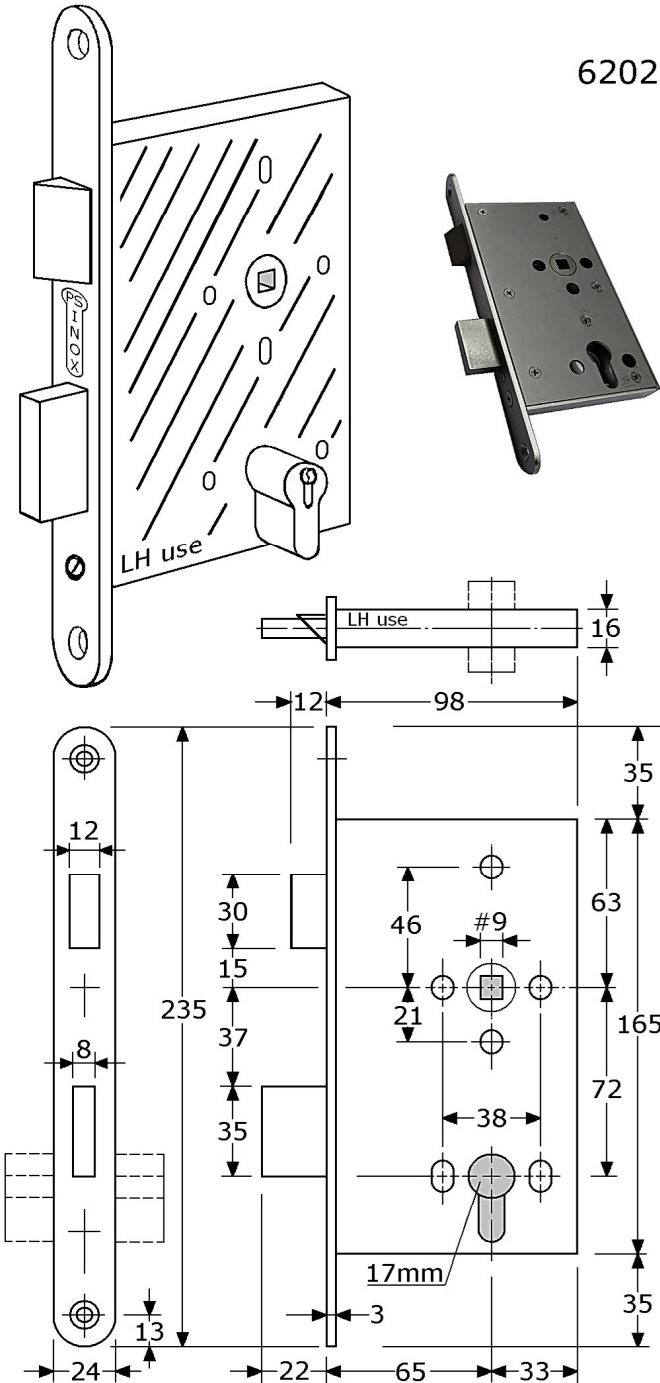
PIMEX can also send you directly the right stand:  
 - for LH left doors (as drawing): 620271  
 - for RH right doors: 620272

for profile cylinder, see page GF-694 & GF-695

for stainless steel 316/A4 door handles, see from page GY-801 (group 08)



PIWAX adapter bushes brass for door handle #8mm to use in square #9mm -> for door handles, see from page GY-801 like 805272 (#8mm) and 805972 (#9mm)



**620285**

striking plate, for heavy duty door lock 620270 stainless steel 316/A4 satin 165x24/45x1,5mm, for LH left doors (as drawing) with 3 countersunked screwholes (for 4mm/M4) packing: 12 Pcs.

**620286**

striking plate, for heavy duty door lock 620270 stainless steel 316/A4 satin 165x24/45x1,5mm, for RH right doors with 3 countersunked screwholes (for 4mm/M4) packing: 12 Pcs.



**PIMEX B.V.**  
 Coenecoop 131  
 2741 PJ WADDINXVEEN (NL)  
 Tel. (31) 182 - 61 11 66  
 Email: info@pimex.nl