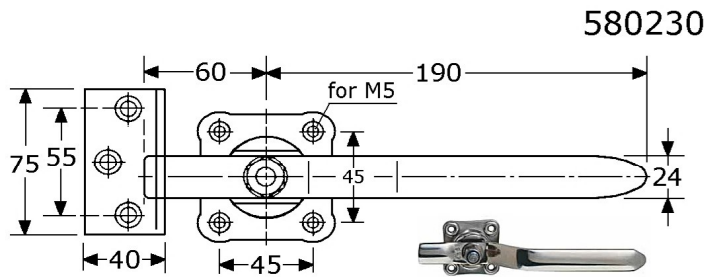
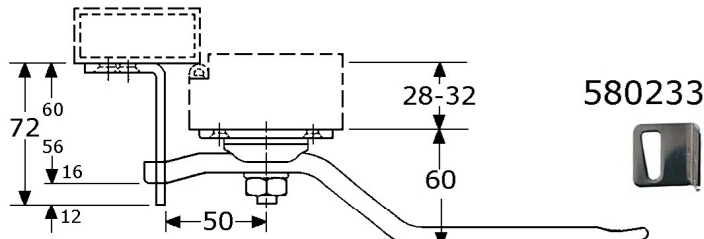


DOOR TOGGLES, stainless steel



580230

door toggles, single
 stainless steel 304/1.4301 satin polished
 with lever: length to centre 190mm
 total length lever 250mm, for left and right use
 nice finish, 1th quality
 for maximum turnable 90° with stop
 with nice rose stainless steel 304/1.4301
 with 4 screwholes (5mm/M5)
 without striking plate (to order separately)
 in boxes of 1 Pcs.

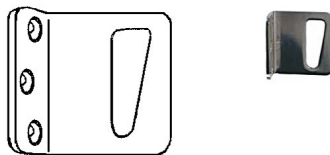


580233

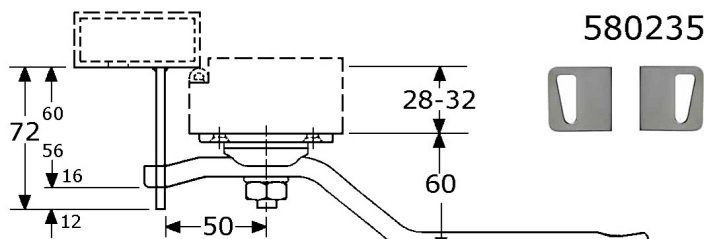
angular strikiing plate, left
 stainless steel 304/1.4301 satin polished
 with conical opening for door toggle 580230
 thickness 4mm, 1th quality
 with 3 countersunk screwholes (5mm/M5)

580230 + 580234 (RH)

580234



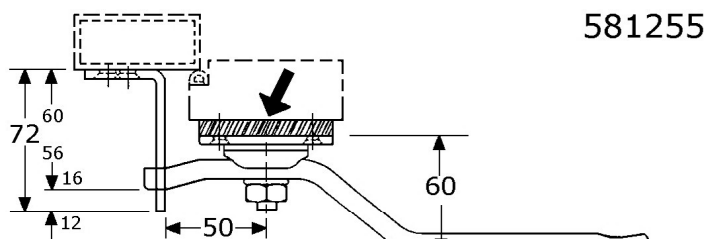
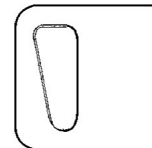
angular striking plate, right
 stainless steel 304/1.4301 satin polished
 with conical opening for door toggle 580230
 thickness 4mm, 1th quality
 with 3 countersunk screwholes (5mm/M5)



580235

striking plate, left/right
 stainless steel 304/1.4301 satin polished
 with conical opening for door toggle 580230
 thickness 4mm flat, 1th quality
 without holes, for weld-on

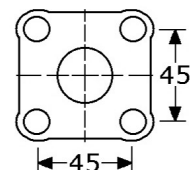
580230 + 580235



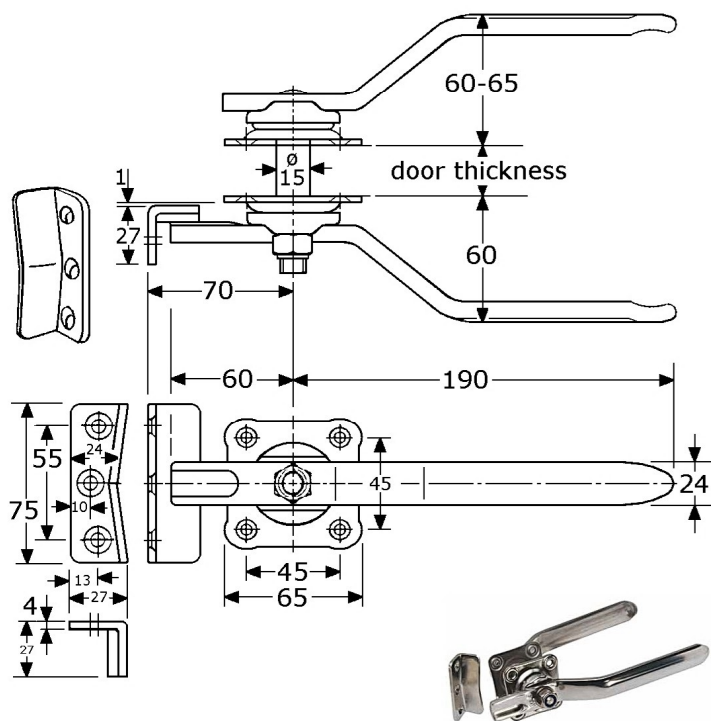
581255

isolation distance plate 5mm
 out of Polyamide (PA-6 white)
 for mounting behind the door toggle 580230
 - for isolation
 - if the door thickness is not thick enough
 for using the striking plates 580233 or 580234,
 you can use 1 or 2 isolation distance plate

580230 + 580234 + 581255

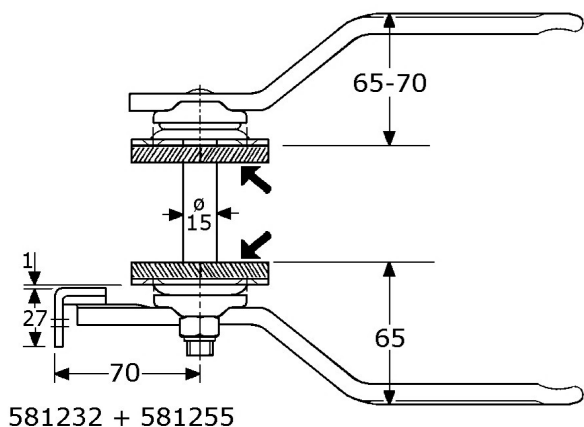


PIMEX B.V.
 Coenecoop 131
 2741 PJ WADDINXVEEN (NL)
 Tel. (31) 182 - 61 11 66
 Email: info@pimex.nl

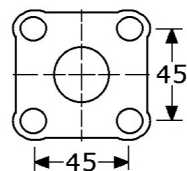


door toggles, double
 stainless steel 304/1.4301 satin polished
 front toggle lever: length to centre 190mm
 back lever with shaft: length to centre 190mm
 total length lever 250mm, for left and right use
 for maximum turnable 90° with stop
 with nice roses stainless steel 304/1.4301
 with 4+4 screwholes (5mm/M5)
 in boxes of 1 Pcs. (with striking plate)

- 581221 toggle for door thickness 25-30mm (*)
 - 581224 + 581255 = for 35-40mm (*)
 - 581224 toggle for door thickness 40-45mm (*)
 - 581226 + 581255 = for 45-50mm (*)
 - 581226 toggle for door thickness 50-55mm (*)
 - 581227 toggle for door thickness 55-60mm (*)
 - 581228 toggle for door thickness 60-65mm (*)
 - 581230 toggle for door thickness 70-75mm
 - 581232 + 581255 = for 75-80mm (*)
 - 581232 toggle for door thickness 80-85mm (*)
- (* = normally in stock)

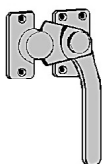


581255 isolation distance plate 5mm
 out of Polyamide (PA-6 white)
 for mounting behind the door toggles 5812..
 - for isolation
 - if the door thickness is not thick enough,
 you can use 1 or 2 isolation distance plate

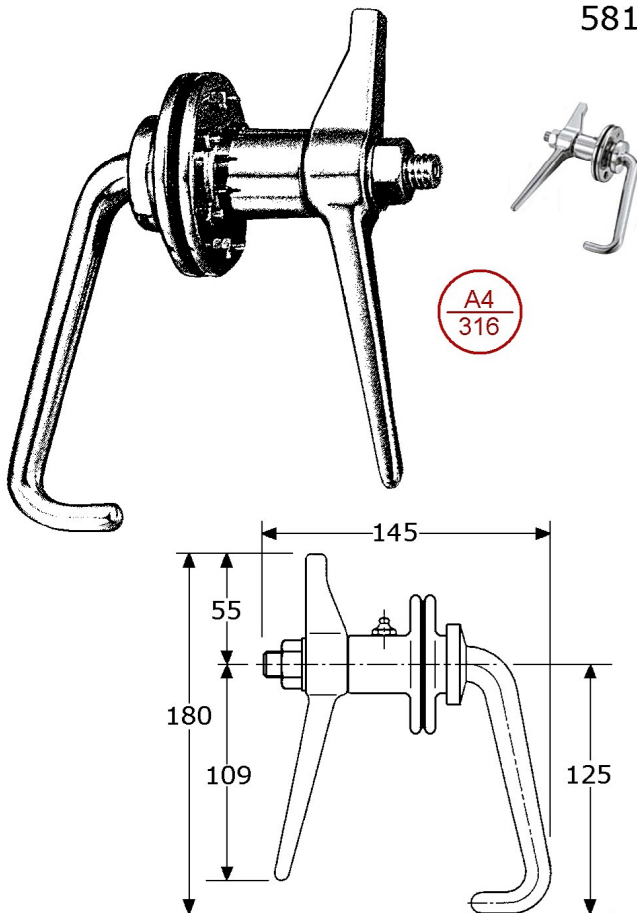


581232 + 581255

for small door toggles in
 stainless steel (579223/579224),
 see page GY-546b



PIMEX B.V.
 Coenecoop 131
 2741 PJ WADDINXVEEN (NL)
 Tel. (31) 182 - 61 11 66
 Email: info@pimex.nl

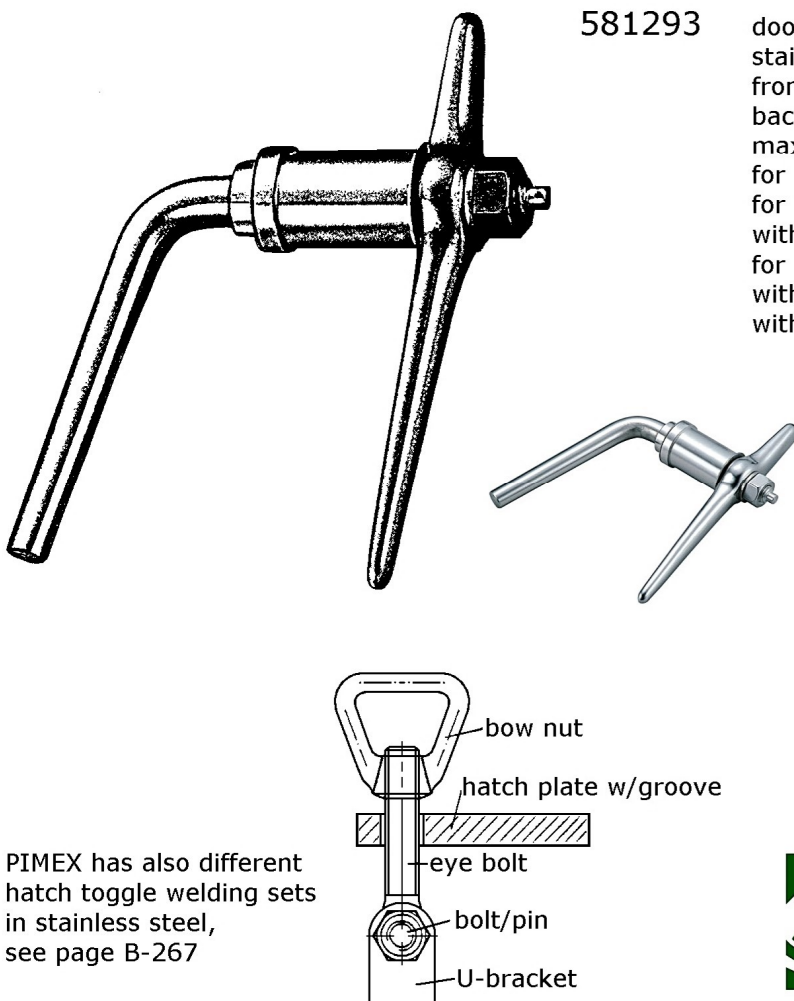


581291

door toggles, double
 stainless steel 316/A4 polished
 front toggle lever: length to centre 125mm
 back lever with shaft: length to centre 109mm
 maximum length 180mm
 for maximum turnable 90° without stop
 for left and right use
 with nice roses stainless steel 316/A4 ø70mm
 standard with 6 screws M4: door thickness 2-5mm
 with stainless steel grease nipple
 without striking plate

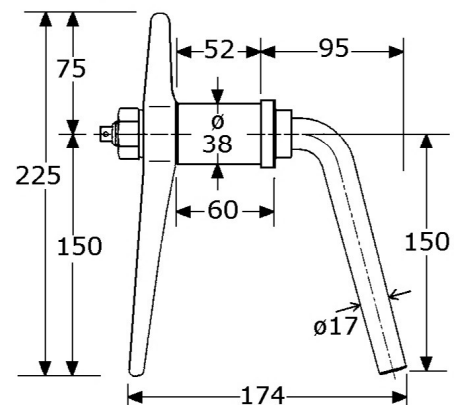
if you use longer screws: door thickness >10mm

if you cut the long stainless rose,
 then the door thickness will be maximum 40mm



581293

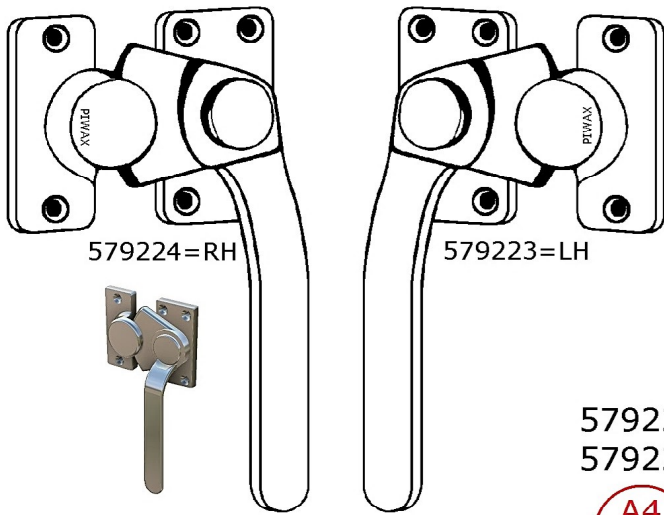
door toggles, double
 stainless steel 304/A2 unpolished
 front toggle lever: length to centre 150mm
 back lever with shaft: length to centre 150mm
 maximum length 225mm
 for maximum turnable 90° without stop
 for left and right use
 with bush stainless steel ø38mm, length 60mm
 for maximum door thickness 60mm
 without nipple
 without striking plate



PIMEX has also different
 hatch toggle welding sets
 in stainless steel,
 see page B-267



PIMEX B.V.
 Coenecoop 131
 2741 PJ WADDINXVEEN (NL)
 Tel. (31) 182 - 61 11 66
 Email: info@pimex.nl

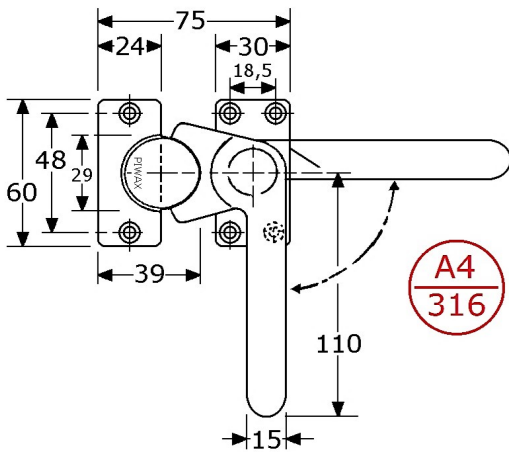
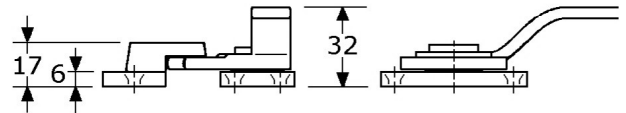


door/hatch toggle, 110mm
 stainless steel 316/A4 mirror polished
 with conical shaft, for flat surface single use
 with stop: for maximum turnable 90°
 for small door or hatch
 total highness 32mm
 narrow mounting plate 60x30x6mm
 with 4 countersunk screwholes (4,2mm/M4)
 rim keeper plate:
 60x24/39x6mm, total highness 17mm
 with 2 countersunk screwholes (4,2mm/M4)
 in boxes of 12 Pcs.

579223
 579224

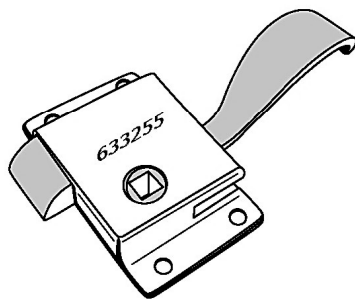
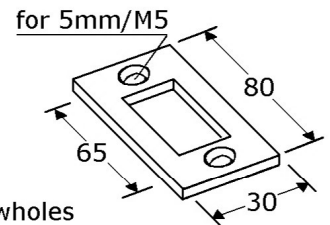


door/hatch toggle SS-316/A4 LH
 door/hatch toggle SS-316/A4 RH



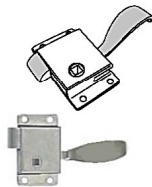
506219

striking plate 80x30x3mm
 stainless steel 316/A4
 flat, with hole 40x10mm
 with 2 countersunk screwholes



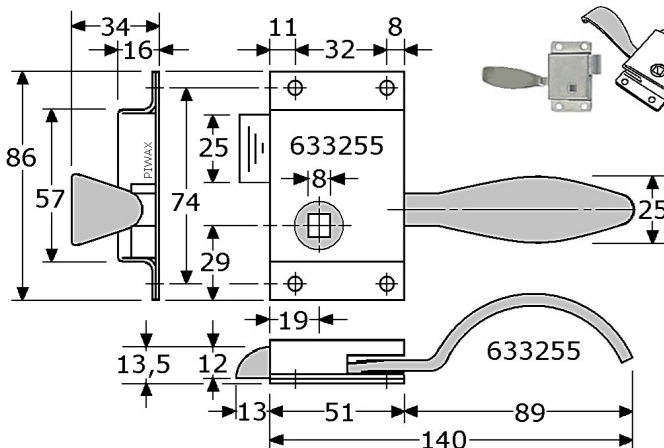
633255

PIWAX rimlock, left
 stainless steel 304/A2 (not polished)
 with stainless steel handle (not polished)
 with stainless steel hub #8mm, backset 19mm
 solid stainless steel latch bolt, extension 13mm
 thickness latch bolt 1-12mm, stand not changable
 case 86x51x16mm, spring loaded
 for use by #8mm or use by the handle
 with 4 screwholes ø6mm
 in boxes of 10 Pcs



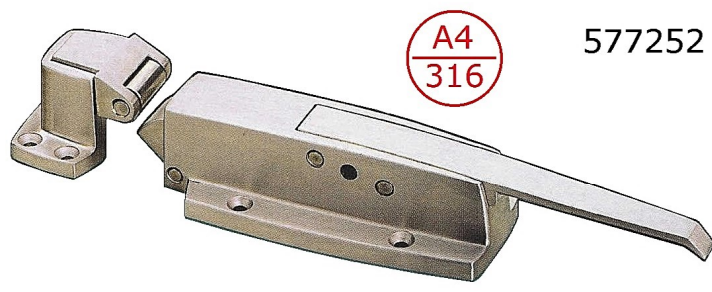
633256

PIWAX rimlock, right
 stainless steel 304/A2 (not polished)
 with stainless steel handle (not polished)
 with stainless steel hub #8mm, backset 19mm
 solid stainless steel latch bolt, extension 13mm
 thickness latch bolt 1-12mm, stand not changable
 case 86x51x16mm, spring loaded
 for use by #8mm or use by the handle
 with 4 screwholes ø6mm
 in boxes of 10 Pcs



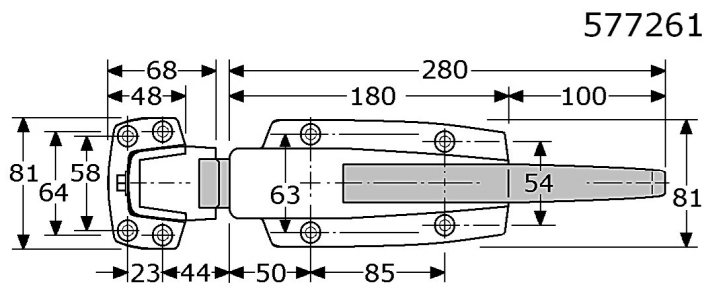
PIMEX B.V.
 Coenecoop 131
 2741 PJ WADDINXVEEN (NL)
 Tel. (31) 182 - 61 11 66
 Email: info@pimex.nl

WALK-IN DOOR LATCHES, stainless steel



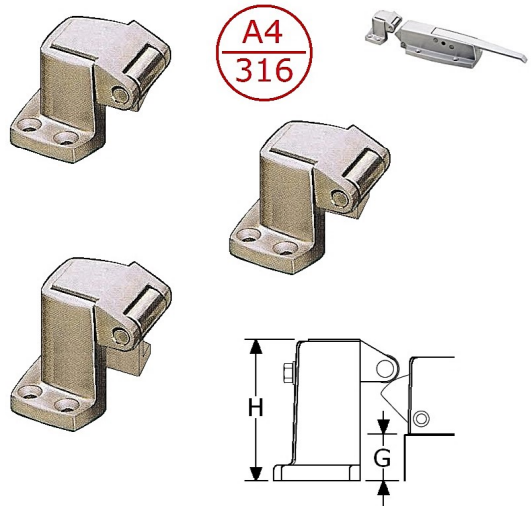
577252

walk-in door latches, heavy duty stainless steel 316/A4 satin/brushed solid casting house 81x180mm, total high 50mm with long handle stainless steel 316/A4 280mm with solid casting conical shaft stainless steel 316/A4 spring loaded, automatical closing the door possibility for sealing, inside parts stainless steel with 4 countersunked screwholes for 6mm/M6 (rim keeper plate to be ordered separately)



577261

walk-in door latches with cylinder stainless steel 316/A4 satin/brushed solid casting house 81x180mm, total high 50mm with long handle stainless steel 316/A4 280mm with solid casting conical shaft stainless steel 316/A4 spring loaded, automatical closing the door with chrome cylinder, all key alike (w/2 keys KL802) possibility for sealing, inside parts stainless steel with 4 countersunked screwholes for 6mm/M6 (rim keeper plate to be ordered separately)



577253

rim keeper plate for flat surface (G) till offset 12mm stainless steel 316/A4 satin/brushed base 81x68mm, total highness (H) 54-66mm with 4 countersunked screwholes for 6mm/M6

577255

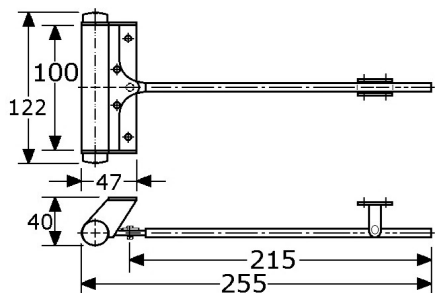
rim keeper plate for offset mounting (G) 19-41mm stainless steel 316/A4 satin/brushed base 81x68mm, total highness (H) 79-101mm with 4 countersunked screwholes for 6mm/M6

577256

rim keeper plate for offset mounting (G) 41-63mm stainless steel 316/A4 satin/brushed base 81x68mm, total highness (H) 101-123mm with 4 countersunked screwholes for 6mm/M6

577259

inside safety release with brass knob ø56mm with rose stainless steel ø71mm, screw-on surface mounting at backside rod stainless steel ø12,6mm for max. door 160mm ## more safety: always immediate opening, even if latch is cylinder locked or padlocked ##



588234

doorcloser, highness 100mm stainless steel 304/A2 satin polished with rod stainless steel 304/A2 ø8x215mm with rod guide stainless steel with nylon ø10mm flat surface mounting spring adjustable & can be (temporary) switched off in boxes of 10 Pcs.

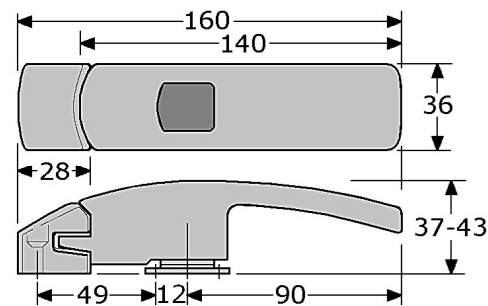
for spring double action hinges out of stainless steel, see page GY-382a



for heavy duty hinges for walk-in refrigeration out of stainless steel, see pages GY-337b & GY-365



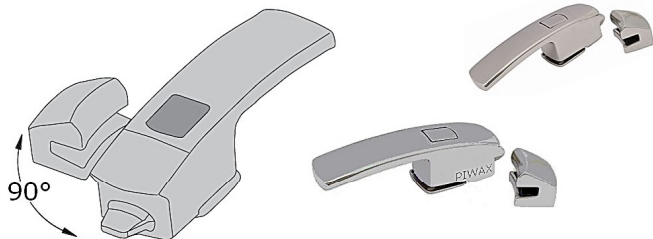
PIMEX B.V.
Coenecoop 131
2741 PJ WADDINXVEEN (NL)
Tel. (31) 182 - 61 11 66
Email: info@pimex.nl



579273



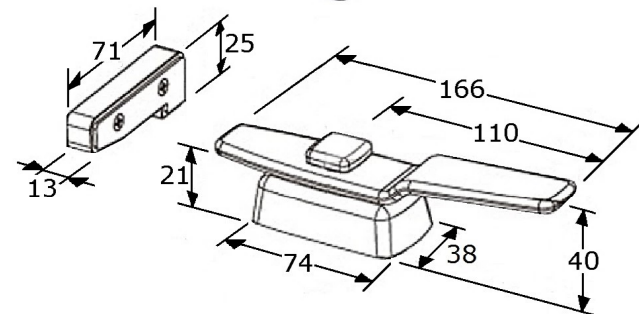
door/hatch toggle (with keeper total 160mm)
 stainless steel 316/A4 mirror polished
 with conical shaft, for flat surface single use
 handle to centre 90mm, handle length 140mm
 automatic rotate every 90°
 opening by pushing the button
 for small door or hatch
 total highness 37-43mm, high adjustable 6mm
 plate 35x35x2mm w/4 countersunk holes (4mm)
 rim keeper plate stainless steel 316/A4:
 measure 36x28x28mm, first quality
 noiseless by black nylon insert part
 unvisable mounting, with 2 screwholes ø5mm
 in boxes of 2 Pcs.



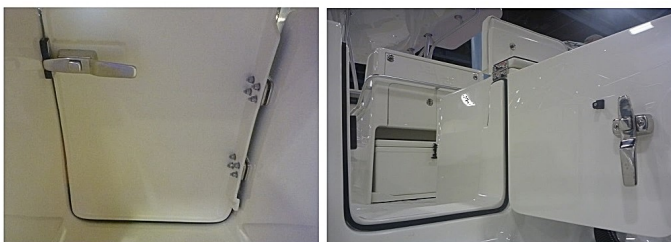
579266



door/hatch toggle, total length 166mm
 stainless steel 316/A4 mirror polished
 with conical shaft, for flat surface single use
 handle to centre 110mm, first quality
 automatic rotate every 90°
 opening by pushing the button 22x22mm
 total highness maximum 40mm
 for left/right/top/bottom
 for doors with or without rubber
 mounting plate stainless steel 316/A4 74x38x20mm
 with 2 hidden countersunk screwholes (6mm/M6)
 rim keeper plate:
 black nylon 71x13x20/25mm
 with 3 hidden countersunk screwholes (5mm/M5)
 and cover stainless steel 316/A4 with 2 holes
 cover changable for left or right



for inset doors we have also
 a flush striking plate 108x30mm
 in stainless steel 316/A4 (579269)



PIMEX B.V.
 Coenecoop 131
 2741 PJ WADDINXVEEN (NL)
 Tel. (31) 182 - 61 11 66
 Email: info@pimex.nl