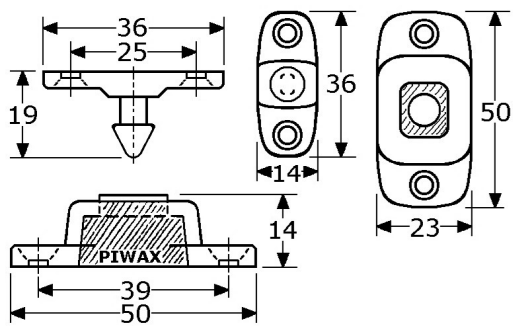


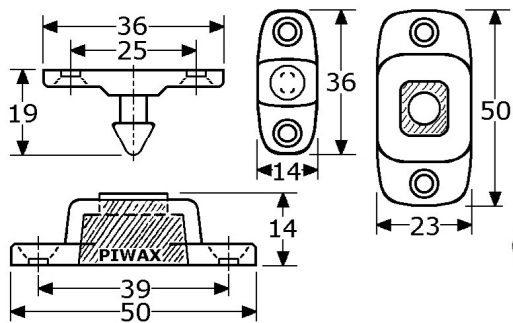
DOOR HOLDER, stainless steel



554257



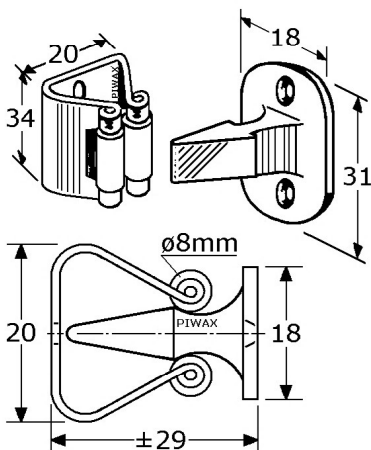
PIWAX door holder 50x23mm stainless steel 316/A4 mirror polished strong model, nice finish, first quality wall mounting, for wall to door distance ± 20 mm clamping, with inside black EPDM catch (554369) with 2+2 countersunked screwholes (4,2mm/M4) in boxes of 25 Pcs.



554261



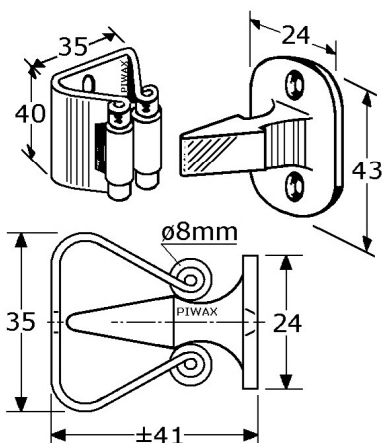
PIWAX door holder 50x23mm stainless steel 316/A4 satin polished strong model, nice finish, first quality wall mounting, for wall to door distance ± 20 mm clamping, with inside black EPDM catch (554369) with 2+2 countersunked screwholes (4,2mm/M4) in boxes of 25 Pcs.



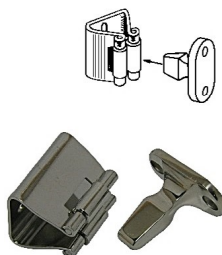
555262



PIWAX door holder 34x20mm stainless steel 304/A2 mirror polished wall mounting, for wall to door distance ± 29 mm clamping, with 2 stainless steel spring roller $\varnothing 8$ mm holder: 34x20x1,5mm with 2 screwholes $\varnothing 4,5$ mm pin-part: 31x18mm w/2 countersunked holes (4mm) in boxes of 20 Pcs.



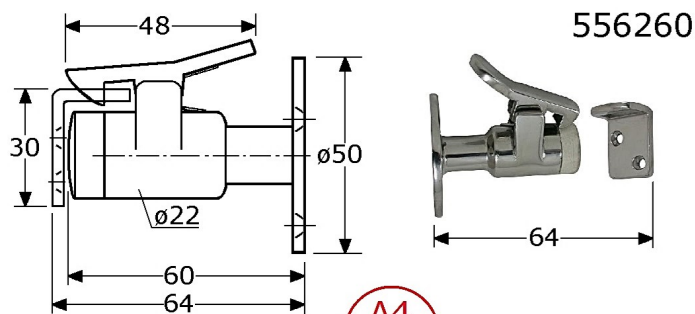
555265



PIWAX door holder 40x35mm stainless steel 304/A2 mirror polished wall mounting, for wall to door distance ± 41 mm clamping, with 2 stainless steel spring roller $\varnothing 8$ mm holder: 40x35x1,5mm with 2 screwholes $\varnothing 4,5$ mm pin-part: 43x24x4mm with 2 countersunked holes in boxes of 25 Pcs.

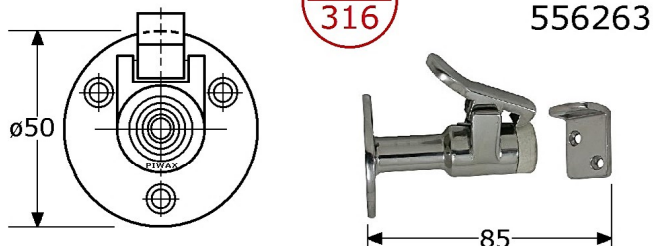


PIMEX B.V.
Coenecoop 131
2741 PJ WADDINXVEEN (NL)
Tel. (31) 182 - 61 11 66
Email: info@pimex.nl



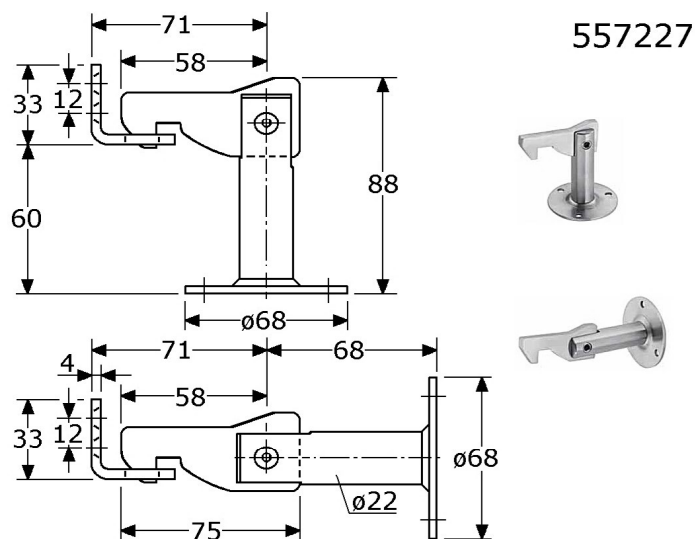
556260

PIWAX door holder/stopper with fall stainless steel 316/A4 mirror polished with stainless steel fall with stainless steel spring wall mounting, for wall to door distance ± 64mm with white rubber stop ø22mm wall rose ø50x3mm with 3 screwholes (3,5/M4) hook plate stainless steel 304/A2 30x24mm hook plate with 2 countersunk holes (3,5/M4) in boxes of 10 Pcs.



556263

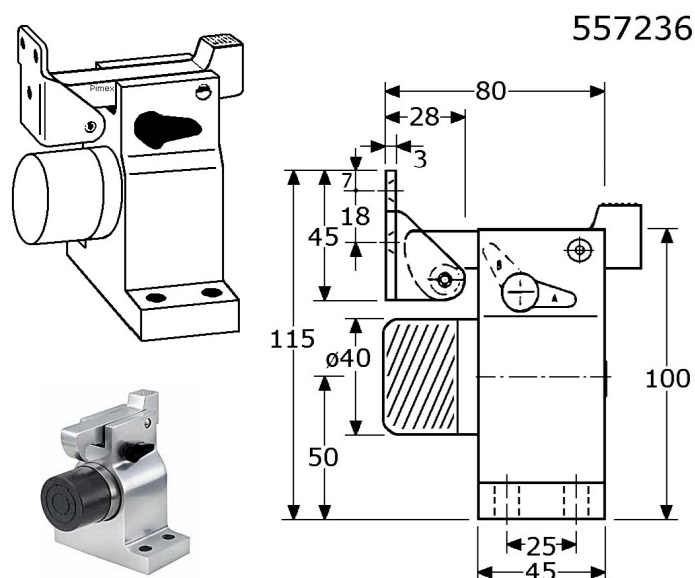
PIWAX door holder/stopper with fall stainless steel 316/A4 mirror polished with stainless steel fall with stainless steel spring wall mounting, for wall to door distance ± 85mm with white rubber stop ø22mm wall rose ø50x3mm with 3 screwholes (3,5/M4) hook plate stainless steel 304/A2 30x24mm hook plate with 2 countersunk holes (3,5/M4) in boxes of 10 Pcs.



557227

PIWAX door holder/stopper with fall stainless steel 304/A2 satin polished with stainless steel fall 75x8mm bottom mounting, reversible for wall mounting wall rose ø68x3mm with 3 screwholes (6mm/M6) highness 70/88mm hook plate stainless steel 304/A2 33x34x4mm hook plate with 3 countersunk holes (4,5/5mm) in boxes of 10 Pcs.

door holder 557227 is easy reversible from bottom mounting to wall mounting wall to door distance ± 140mm



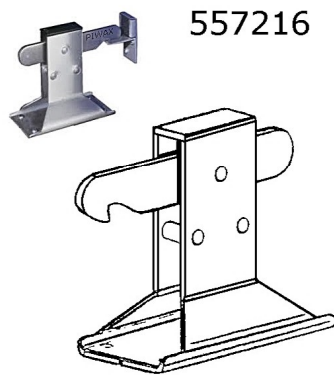
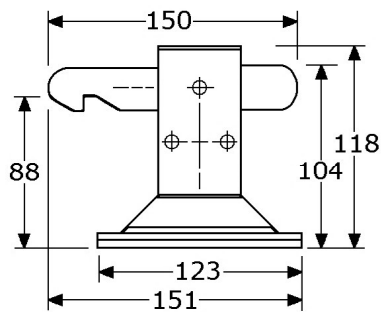
557236

PIWAX door holder/stopper with fall stainless steel 304/A2 satin polished with stainless steel fall (high level ± 90mm) bottom mounting, nice finish, first quality with spring loaded black rubber stop ø40mm with small (PA6) handle (temporary) disconnected base 90x45x13mm met 4 screwholes ø8mm hook plate 45x30x3mm with stainless steel roller hook plate with 3 countersunk holes (4,5/5mm) in boxes of 1 Pcs.



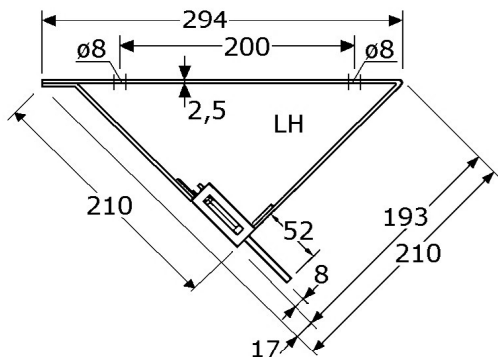
PIMEX B.V.
Coenecoop 131
2741 PJ WADDINXVEEN (NL)
Tel. (31) 182 - 61 11 66
Email: info@pimex.nl

DOOR HOLDER, stainless steel



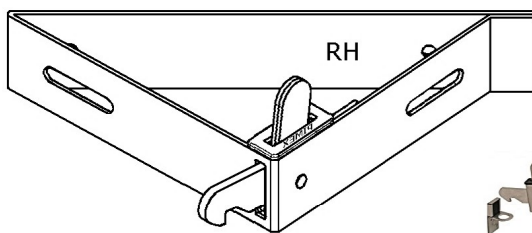
557216

door holder/stopper with fall stainless steel 304/1.4301 satin with big stainless steel fall 150mm, without spring with black plastic glide block in the front bottom mounting, highness 88/118mm stamped bottom plate stainless steel 123x61x2,5mm with 4 holes $\varnothing 6,5$ mm (centre-centre 100x40mm) with hook plate stainless steel 304/A2 62x30mm (hook plate with black rubber stop block; with 2 screwholes $\varnothing 4,2$ mm) box of 3 Pcs. (last stock)



557211

door holder/stopper with fall, left stainless steel 304/1.4301 satin with big stainless steel fall 110mm, without spring with black plastic glide block in the front triangular for wall mounting, left for hook 125° till maximum 160° stamped material thickness 2,5mm with 2 holes $\varnothing 8$ mm (centre-centre 200mm) with hook plate stainless steel 304/A2 62x30mm (hook plate with black rubber stop block; with 2 screwholes $\varnothing 4,2$ mm) in boxes of 1 Pcs.

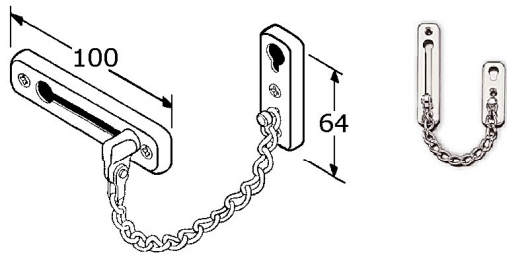


557212

door holder/stopper with fall, right stainless steel 304/1.4301 satin with big stainless steel fall 110mm, without spring with black plastic glide block in the front triangular for wall mounting, right for hook 125° till maximum 160° stamped material thickness 2,5mm with 2 holes $\varnothing 8$ mm (centre-centre 200mm) with hook plate stainless steel 304/A2 62x30mm (hook plate with black rubber stop block; with 2 screwholes $\varnothing 4,2$ mm) in boxes of 1 Pcs.

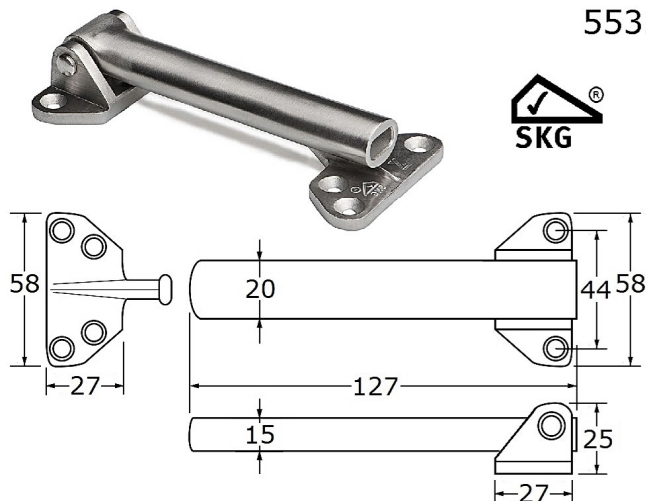


PIMEX B.V.
Coenecoop 131
2741 PJ WADDINXVEEN (NL)
Tel. (31) 182 - 61 11 66
Email: info@pimex.nl



553220

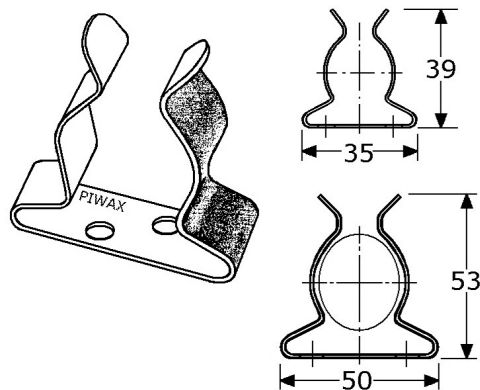
door security chain
stainless steel 304/A2 satin polished
(knob brass nickel)
with 160mm chain
door plate 100x23x7mm with 2 countersunk holes
frame plate 64x23x7mm with 2 countersunk holes
in boxes of 15 Pcs. (with SS screws)



553277



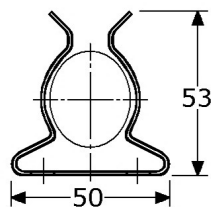
door security guard
stainless steel 304/A2 satin polished
casting, security type (SKG*)
long arm 127mm, total highness 25mm
for left or right door/window - inwards
door plate 58x27mm with 4 countersunk holes
frame plate 58x27mm w/3 countersunk holes
will be delivered with 3 aluminium distance plates
in boxes of 10 Pcs. (delivery on request)



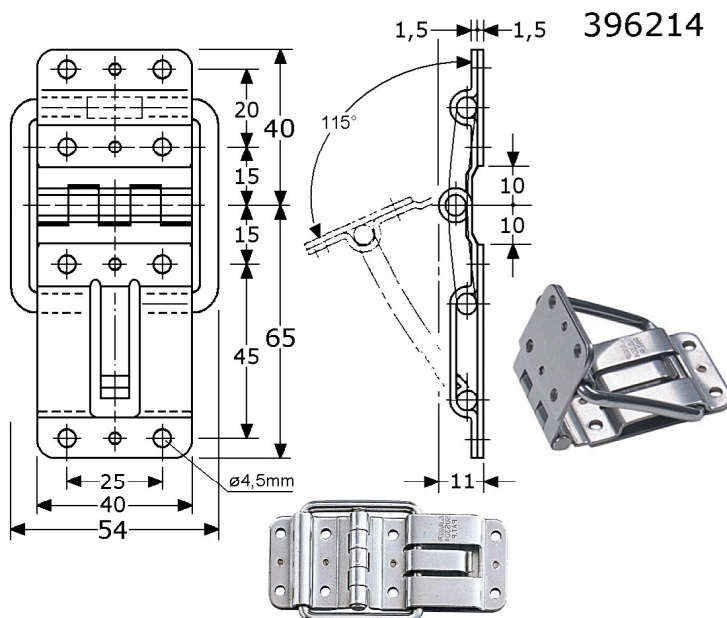
553292

holder for tools for ± ø20mm
stainless steel 304/A2
wall mounting, base 35x19x1,2mm
clamping, entree 10-16mm
with 2 screwholes ø4mm
in boxes of 20 Pcs.

553294



holder for tools for ± ø28mm
stainless steel 304/A2
wall mounting, base 50x19x1,2mm
clamping, entree 12-28mm
with 2 screwholes ø4mm
in boxes of 20 Pcs.

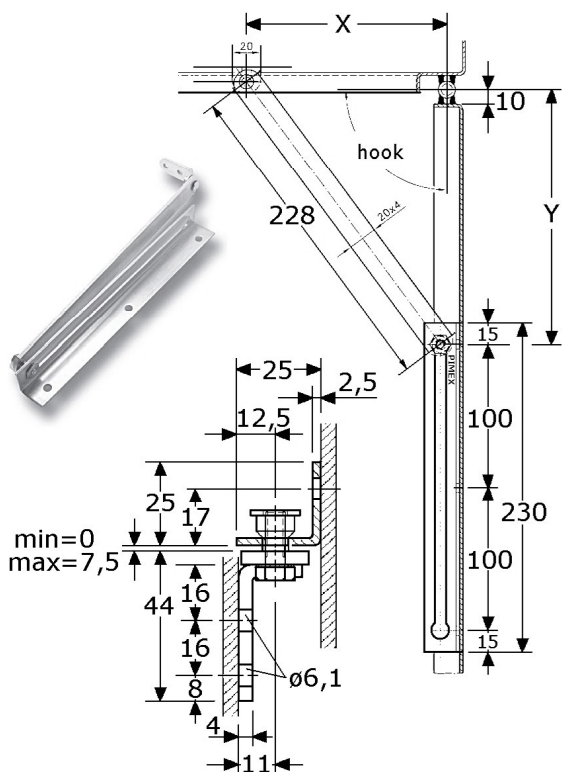


396214

detent hinges without function
stainless steel 304/A2 electro polished
flat mounting, plate 40x1,5mm double folded
total length 105mm (65+40mm)
with fixed pin stainless steel 304/A2 ø5mm
with stop pin stainless steel 304/A2 ø5mm
maximum widthness stop pin 54mm
with stop/blocking on 95°
automatical snapping on 115°
no left or right, maximum opening 115°
with 8 screwholes ø4,5mm
in boxes of 10 Pcs.



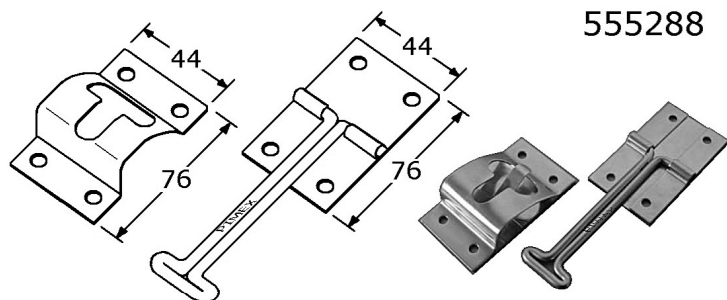
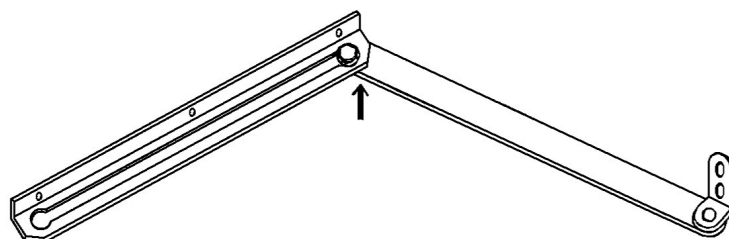
PIMEX B.V.
Coenecoop 131
2741 PJ WADDINXVEEN (NL)
Tel. (31) 182 - 61 11 66
Email: info@pimex.nl



569210

door stay/holder
 stainless steel 304/A2 unpolished
 length of the rail 230mm
 automatically blocked if full opened,
 for closing: unlock by pushing the arm higher
 for hook 90° till maximum 135°
 minimum door widthness 400mm
 for left and right horizontal use
 with screwholes ø6,1mm
 in boxes of 10 Pcs.

if hook 90°: X=140mm and Y=180mm
 if hook 105°: X=120mm and Y=166mm
 if hook 135°: X=100mm and Y=146mm



555288

door holder with wire arm 101mm
 stainless steel 304/A2
 for mounting on side wall of truck
 plate 76x44mm with 4 holes ø5mm
 with fixing plate 76x44mm with 4 holes ø5mm
 in boxes of 20 Pcs.



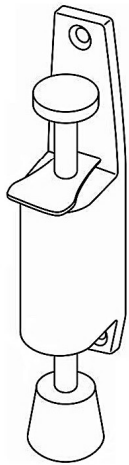
553246



door windbreak with spring
 stainless steel 316/A4
 with 50cm chain SS-316/A4 ø4mm
 (chain: 21 long links with transparent cover)
 with 13cm tension spring out of stainless steel
 with 2x D-shackle SS-316/A4 ø6mm
 with 2x eye plate SS-316/A4 40x35mm with 4 holes
 for maximum door weight of 60 Kg
 in boxes of 1 Pcs. (delivery on request)

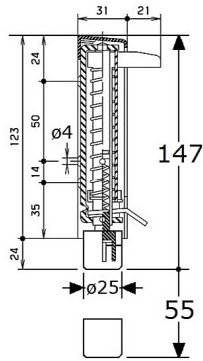
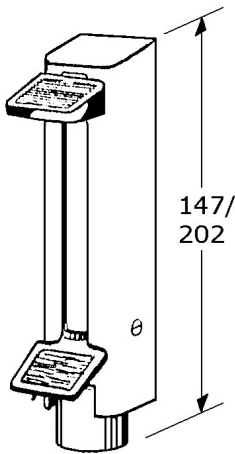


PIMEX B.V.
 Coenecoop 131
 2741 PJ WADDINXVEEN (NL)
 Tel. (31) 182 - 61 11 66
 Email: info@pimex.nl



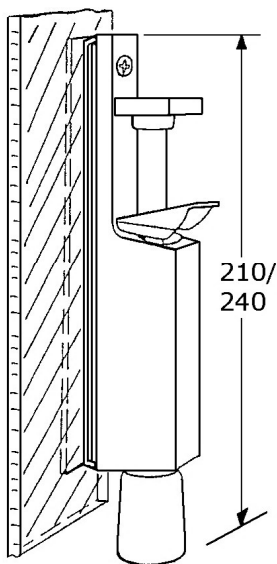
558207

stop-on door holder
 stainless steel 304/A2 mirror polished
 ### profitable model ###
 total highness 182/224mm, extension 42mm
 house highness 165mm, widthness 35mm
 mounting highness 60mm (bottom house)
 with bolt stainless steel \varnothing 11mm
 with white rubber door stop \varnothing 27mm (high 25mm)
 with 3 countersunk screwholes (4mm/M4)
 in boxes of 10 Pcs.

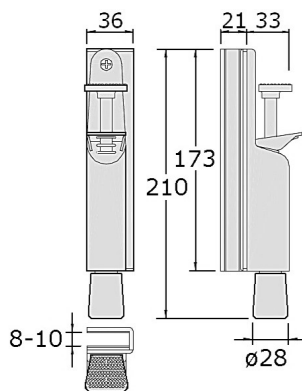


558210

stop-on door holder with big extension
 stainless steel 304/A2 satin polished
 total highness 147/202mm, extension 55mm
 house highness 124mm, widthness 30mm
 mounting highness 73mm (bottom house)
 with bolt stainless steel \varnothing 9/13mm
 with grey rubber door stop \varnothing 25mm (high 23mm)
 with steel spring, house with unvisable mounting
 steel zinc plated mounting plate with 6 holes \varnothing 4mm
 in boxes of 3 Pcs.



special
 for glass

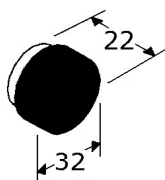


558239

stop-on glass door holder
 stainless steel 304/A2 satin polished
 for glass thickness 8-10mm
 total highness 210/240mm, extension 30mm
 house highness 173mm, widthness 36mm
 mounting highness 60mm (bottom house)
 with bolt stainless steel \varnothing 17mm
 with grey rubber door stop \varnothing 28mm
 with stainless steel spring
 with stainless steel U clamp (reversible LH/RH):
 no holes in glass necessary
 flexible and simple mounting on the glass door
 with black rubber packing
 in boxes of 1 Pcs. (delivery on request)



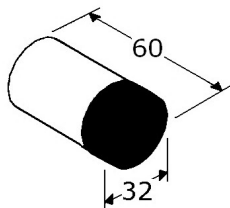
PIMEX B.V.
 Coenecoop 131
 2741 PJ WADDINXVEEN (NL)
 Tel. (31) 182 - 61 11 66
 Email: info@pimex.nl



559212



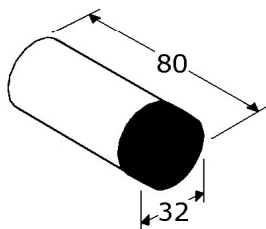
wall door stopper $\varnothing 32 \times 22$ mm
stainless steel 316/A4 satin polished
as stopper behind door handle ###
house diameter $\varnothing 32$ mm, length 22mm
unvisible wall mounting with 1 hole $\varnothing 6$ mm
with black rubber $\varnothing 32$ mm
first mounting house, then push the black rubber
in boxes of 10 Pcs.



559216



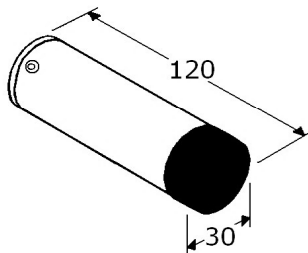
wall door stopper $\varnothing 32 \times 60$ mm
stainless steel 316/A4 satin polished
house diameter $\varnothing 32$ mm, length 60mm
unvisible wall mounting with 1 hole $\varnothing 6$ mm
with black rubber $\varnothing 32$ mm
first mounting house, then push the black rubber
in boxes of 10 Pcs.



559218

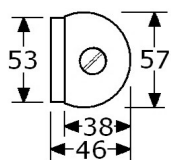
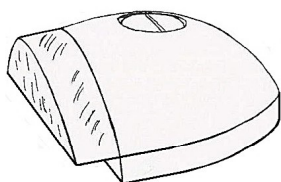


wall door stopper $\varnothing 32 \times 80$ mm
stainless steel 316/A4 satin polished
house diameter $\varnothing 32$ mm, length 80mm
unvisible wall mounting with 1 hole $\varnothing 6$ mm
with black rubber $\varnothing 32$ mm
first mounting house, then push the black rubber
in boxes of 10 Pcs.



559220

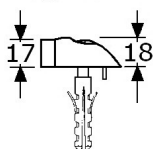
wall door stopper $\varnothing 30 \times 120$ mm
stainless steel 304/A2 satin polished
house diameter $\varnothing 30$ mm, length 120mm
with wall mounting plate $\varnothing 30$ mm
mounting the house with hexagon socket screw
over the mounting plate, then push the black rubber
in boxes of 10 Pcs.



559236



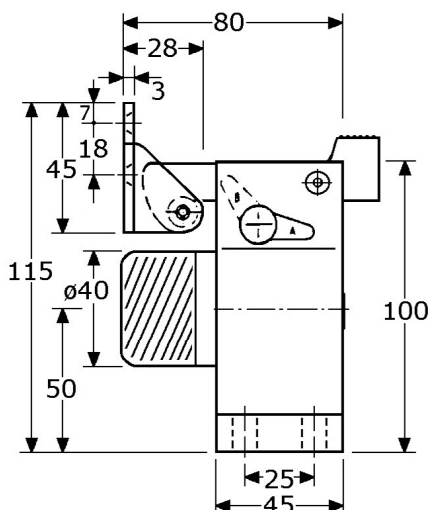
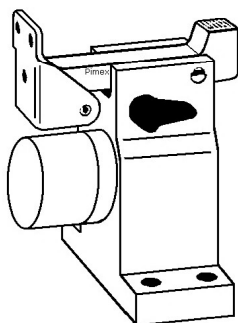
bottom/floor door stopper 46x57mm
stainless steel 304/A2 satin polished
with black rubber, highness 18mm
can be higher with under plate 559237 ###
with 1x big mounting screw
with 1x additional pin $\varnothing 4$ mm to prevent turning
in boxes of 10 Pcs.



559237



distance under plate, high 5mm
stainless steel 304/A2 satin polished
for door stopper 559236, can be stapled:
1 Pcs. will be high 23mm, 2 Pcs. will be high 28mm



557236

PIWAX door holder/stopper with fall
stainless steel 304/A2 satin polished
with stainless steel fall (high level ± 90 mm)
bottom mounting, nice finish, first quality
with spring loaded black rubber stop $\varnothing 40$ mm
with small (PA6) handle (temporary) disconnected
base 90x45x13mm met 4 screwholes $\varnothing 8$ mm
hook plate 45x30x3mm with stainless steel roller
hook plate with 3 countersunk holes (4,5/5mm)
in boxes of 1 Pcs.



PIMEX B.V.
Coenecoop 131
2741 PJ WADDINXVEEN (NL)
Tel. (31) 182 - 61 11 66
Email: info@pimex.nl