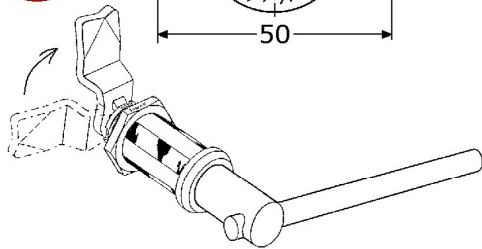


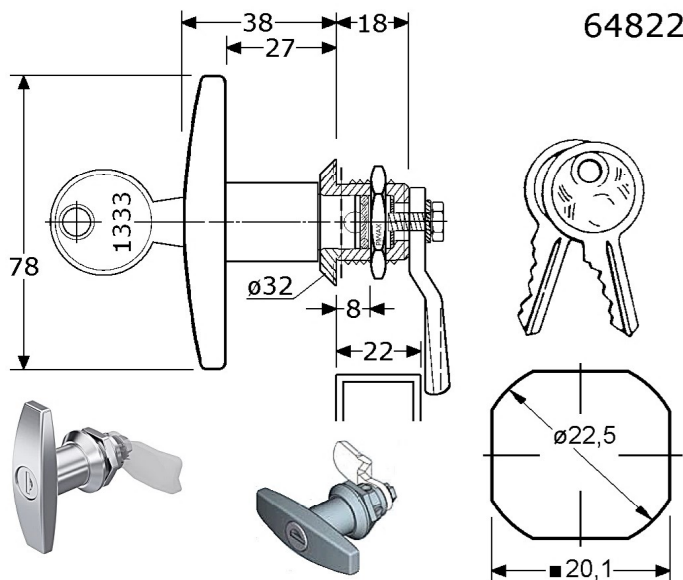
650263

PIWAX latches with knob/handle $\varnothing 8 \times 145 \text{mm}$ stainless steel 316/A4
body length 18mm, for maximum 11mm plate short type, knob highness 39mm
seawater continually, with double "O"-ring inside part out of 1 piece (no loose adaptors !!)
(cams to be ordered separately)
(more information: see page GY-649a)
in boxes of 12 Pcs.



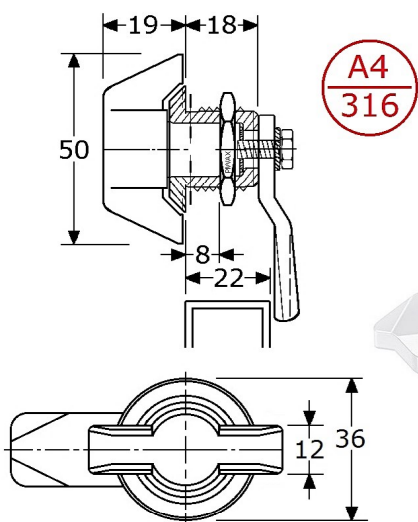
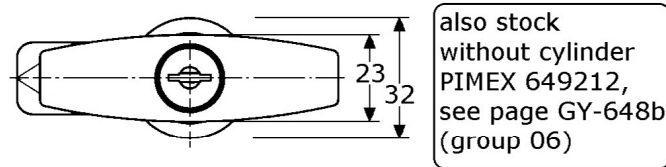
650273

PIWAX latches with knob/handle $\varnothing 8 \times 145 \text{mm}$ stainless steel 316/A4
body length 50mm, for maximum 42mm plate long type, knob highness 39mm
seawater continually, with double "O"-ring inside part out of 1 long piece (no loose adaptors !!)
(cams to be ordered separately)
(more information: see page GY-649b)
in boxes of 12 Pcs.



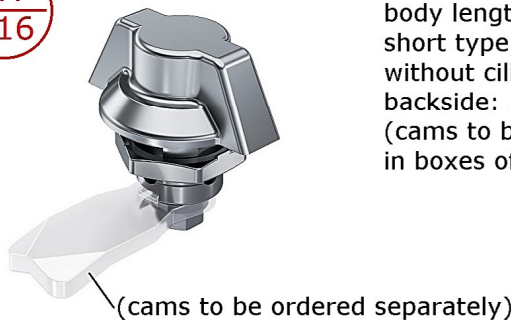
648224

PIWAX "T"-handle 78mm, with cylinder stainless steel 316/A4 satin polished
body length 18mm, for maximum 8mm plate short type, handle highness 38mm
with brass nickel cylinder
with each 2 steel nickel keys, key alike (code 1333)
in closed&open position is the key removable with stainless steel nut M22
backside: #8x8mm, for 90° action limited
(cams to be ordered separately)
(more information: see page GY-648a & GY-648b)
in boxes of 6 Pcs.

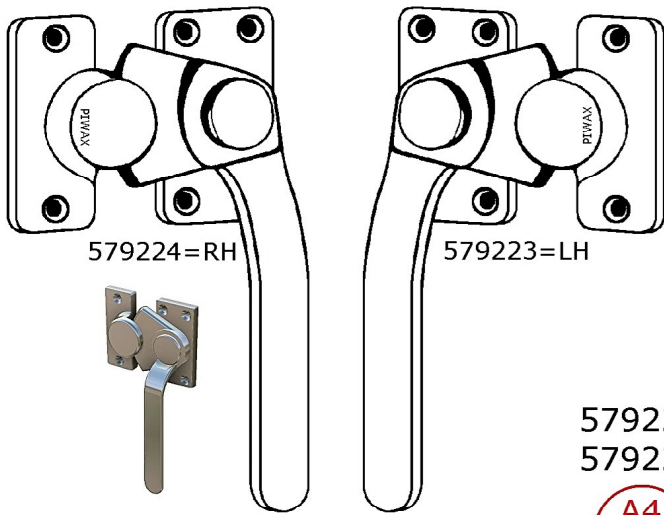


649284

PIWAX latches with wing handle of 50mm stainless steel 316/A4 satin polished
body length 18mm, for maximum 8mm plate short type, knob highness 19mm
without cilinder, with stainless steel nut M22
backside: #8x8mm, for 90° action limited
(cams to be ordered separately)
in boxes of 6 Pcs.



PIMEX B.V.
Coenecoop 131
2741 PJ WADDINXVEEN (NL)
Tel. (31) 182 - 61 11 66
Email: info@pimex.nl

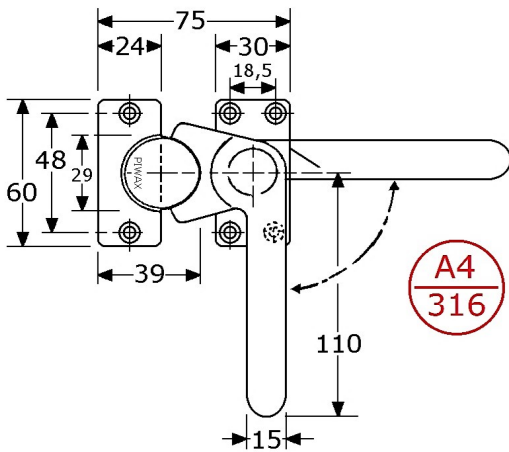
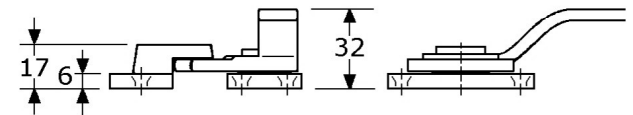


door/hatch toggle, 110mm
 stainless steel 316/A4 mirror polished
 with conical shaft, for flat surface single use
 with stop: for maximum turnable 90°
 for small door or hatch
 total highness 32mm
 narrow mounting plate 60x30x6mm
 with 4 countersunk screwholes (4,2mm/M4)
 rim keeper plate:
 60x24/39x6mm, total highness 17mm
 with 2 countersunk screwholes (4,2mm/M4)
 in boxes of 12 Pcs.

579223
 579224

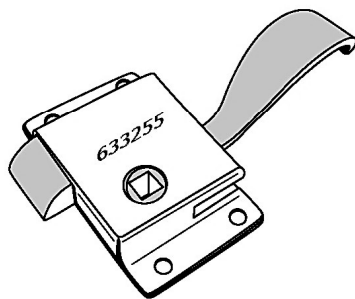
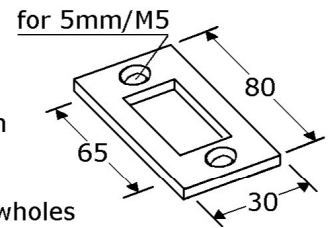


door/hatch toggle SS-316/A4 LH
 door/hatch toggle SS-316/A4 RH



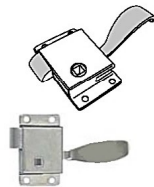
506219

striking plate 80x30x3mm
 stainless steel 316/A4
 flat, with hole 40x10mm
 with 2 countersunk screwholes



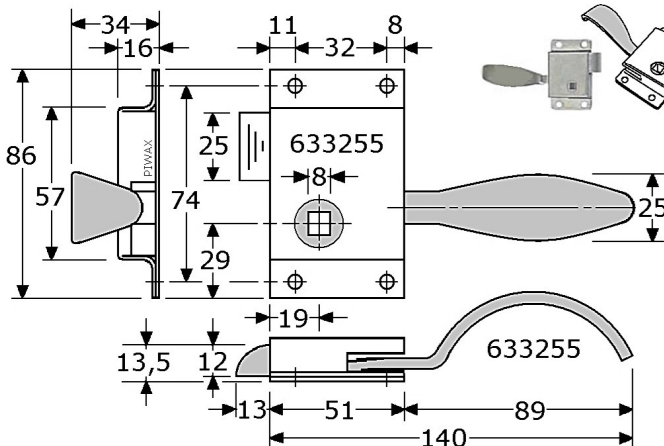
633255

PIWAX rim lock, left
 stainless steel 304/A2 (not polished)
 with stainless steel handle (not polished)
 with stainless steel hub #8mm, backset 19mm
 solid stainless steel latch bolt, extension 13mm
 thickness latch bolt 1-12mm, stand not changable
 case 86x51x16mm, spring loaded
 for use by #8mm or use by the handle
 with 4 screwholes ø6mm
 in boxes of 10 Pcs



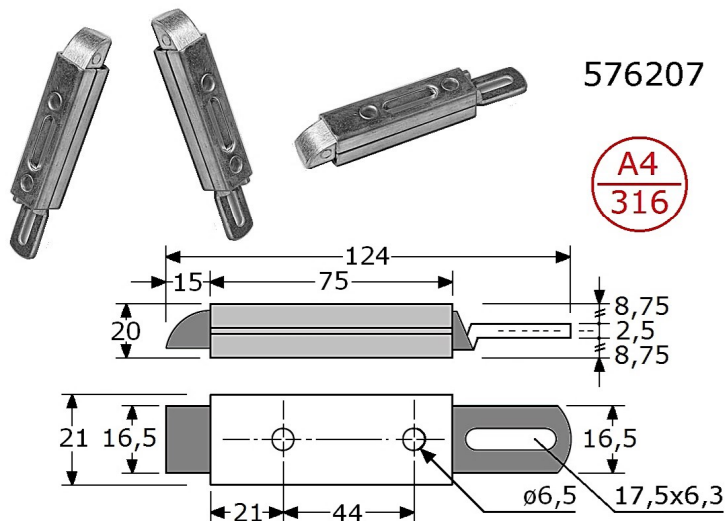
633256

PIWAX rim lock, right
 stainless steel 304/A2 (not polished)
 with stainless steel handle (not polished)
 with stainless steel hub #8mm, backset 19mm
 solid stainless steel latch bolt, extension 13mm
 thickness latch bolt 1-12mm, stand not changable
 case 86x51x16mm, spring loaded
 for use by #8mm or use by the handle
 with 4 screwholes ø6mm
 in boxes of 10 Pcs



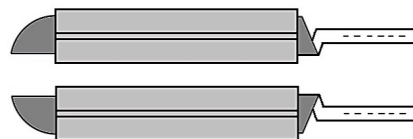
PIMEX B.V.
 Coenecoop 131
 2741 PJ WADDINXVEEN (NL)
 Tel. (31) 182 - 61 11 66
 Email: info@pimex.nl

SPRING LATCHES, stainless steel



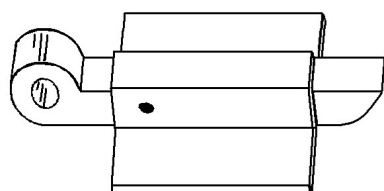
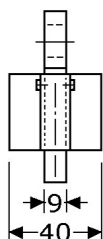
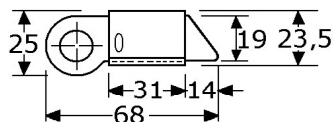
576207

transom latches
 stainless steel 316/A4 unpolished
 with latch bolt stainless steel 316/A4 16x16mm
 extension 15mm, with stainless steel spring
 total length 124mm, house length 75mm
 with central flat eye (thickness 2,5mm)
 central: universal for more situations
 flat eye with hole 17,5x6,3mm
 house highness 20mm, material house 2mm
 with 2x holes \varnothing 6,5mm, hole distance 44mm
 in boxes of 10 Pcs.



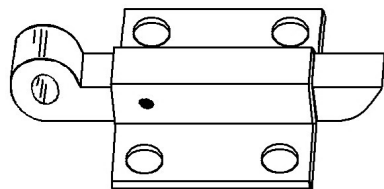
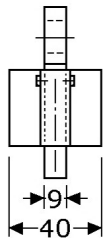
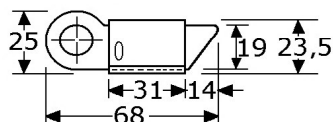
576223

transom latch
 stainless steel 304/A2 unpolished
 with latch bolt stainless steel 304/A2 9x19mm
 with stainless steel spring (cannot be blocked)
 extension 14mm, bolt contra mounted
 with massive stainless steel eye (inside \varnothing 13mm)
 groundplate 40x31mm, without screwholes
 house high 23,5mm, total high 25mm
 without loop, without striking plate
 in boxes of 10 Pcs.



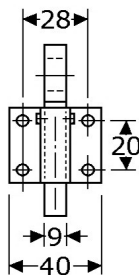
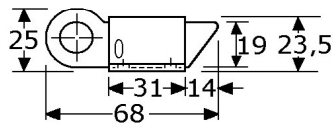
576225

transom latch
 stainless steel 304/A2 unpolished
 with latch bolt stainless steel 304/A2 9x19mm
 with stainless steel spring (cannot be blocked)
 extension 14mm
 with massive stainless steel eye (inside \varnothing 13mm)
 groundplate 40x31mm, without screwholes
 house high 23,5mm, total high 25mm
 without loop, without striking plate
 in boxes of 10 Pcs.



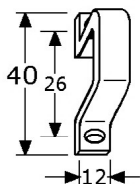
576226

transom latch
 stainless steel 304/A2 unpolished
 with latch bolt stainless steel 304/A2 9x19mm
 with stainless steel spring (cannot be blocked)
 extension 14mm
 with massive stainless steel eye (inside \varnothing 13mm)
 groundplate 40x31mm, with 4 screwholes \varnothing 4mm
 house high 23,5mm, total high 25mm
 without loop, without striking plate
 in boxes of 10 Pcs.

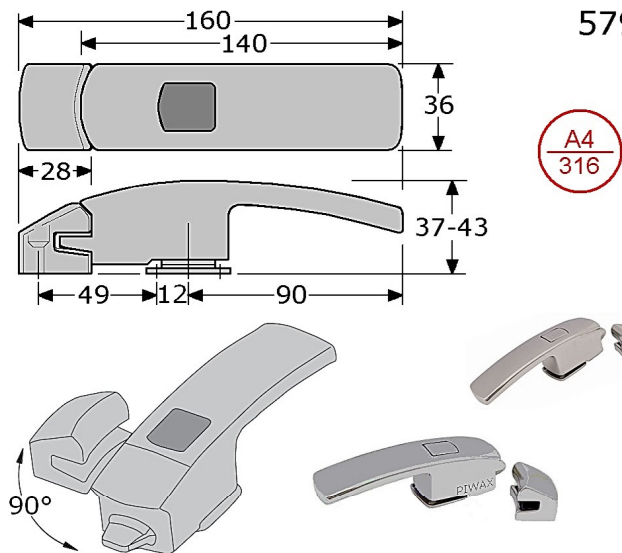


576228

loop 40x12x1mm
 stainless steel 304/A2 unpolished
 inside high 24mm
 with 2 countersunk screwholes (4mm/M4)

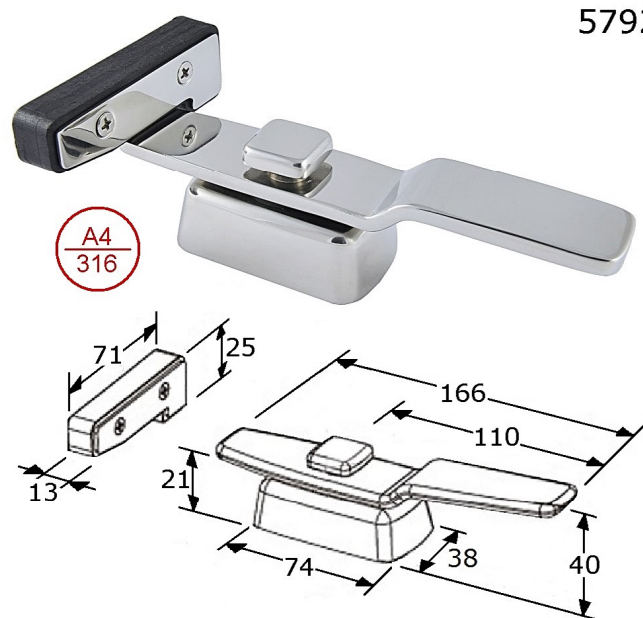


PIMEX B.V.
 Coenecoop 131
 2741 PJ WADDINXVEEN (NL)
 Tel. (31) 182 - 61 11 66
 Email: info@pimex.nl



579273

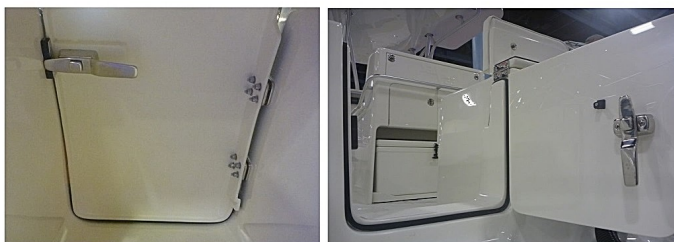
door/hatch toggle (with keeper total 160mm)
 stainless steel 316/A4 mirror polished
 with conical shaft, for flat surface single use
 handle to centre 90mm, handle length 140mm
 automatic rotate every 90°
 opening by pushing the button
 for small door or hatch
 total highness 37-43mm, high adjustable 6mm
 plate 35x35x2mm w/4 countersunk holes (4mm)
 rim keeper plate stainless steel 316/A4:
 measure 36x28x28mm, first quality
 noiseless by black nylon insert part
 unvisable mounting, with 2 screwholes ø5mm
 in boxes of 2 Pcs.



579266

door/hatch toggle, total length 166mm
 stainless steel 316/A4 mirror polished
 with conical shaft, for flat surface single use
 handle to centre 110mm, first quality
 automatic rotate every 90°
 opening by pushing the button 22x22mm
 total highness maximum 40mm
 for left/right/top/bottom
 for doors with or without rubber
 mounting plate stainless steel 316/A4 74x38x20mm
 with 2 hidden countersunk screwholes (6mm/M6)
 rim keeper plate:
 black nylon 71x13x20/25mm
 with 3 hidden countersunk screwholes (5mm/M5)
 and cover stainless steel 316/A4 with 2 holes
 cover changable for left or right

for inset doors we have also
 a flush striking plate 108x30mm
 in stainless steel 316/A4 (579269)

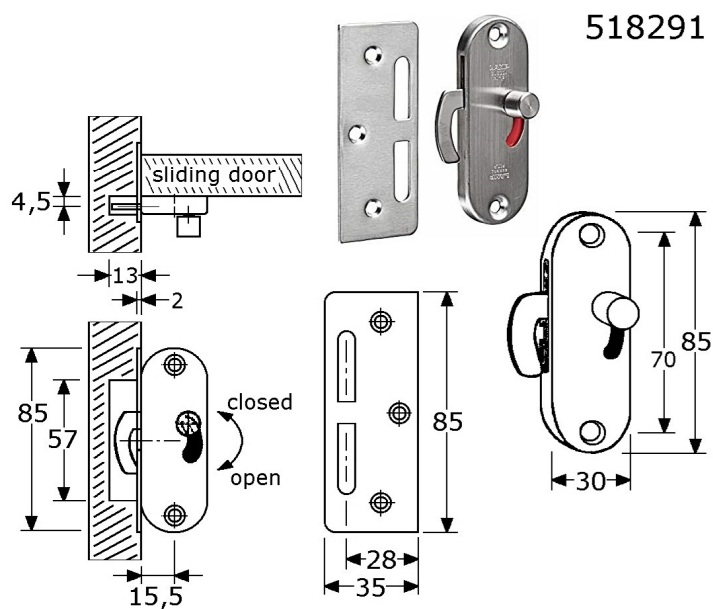


for bigger door latches/toggles
 in stainless steel 304 or 316,
 see page GY-580, GY-581 and GY-582



PIMEX B.V.
 Coenecoop 131
 2741 PJ WADDINXVEEN (NL)
 Tel. (31) 182 - 61 11 66
 Email: info@pimex.nl

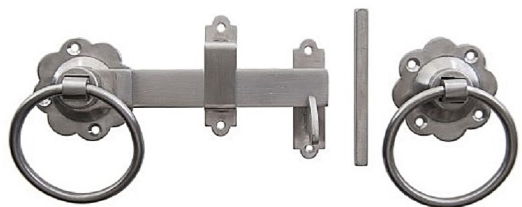
DOOR LATCHES, stainless steel



panel door latches with indicator
stainless steel 304/A2 satin polished
with red/blue indicator and knob all in the front
knob stainless steel 304/A2 \varnothing 11mm
with small stainless steel hook bolt out of 2mm
house 30x85x7,4mm, extension 13mm
for small sliding doors and also for small (turn) doors
as showed = for right doors
(left door: knob is down and hook bolt turns down)
with 2 countersunk screwholes (4mm/M4)
with flat stainless steel striking plate 35x85x2mm
in boxes of 1 Pcs. (with stainless steel screws)



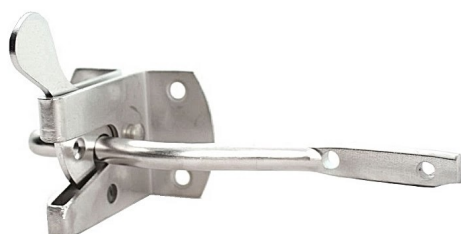
PIMEX B.V.
Coenecoop 131
2741 PJ WADDINXVEEN (NL)
Tel. (31) 182 - 61 11 66
Email: info@pimex.nl



546224

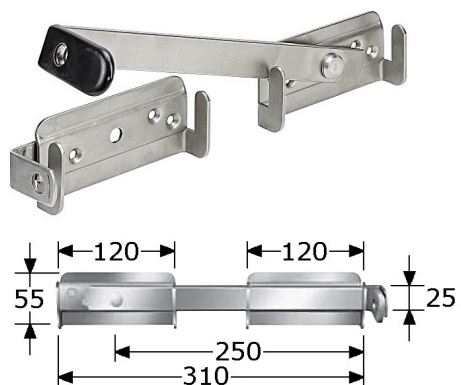


ring handle gate latch set
 stainless steel 316/A4 satin polished
 latch bolt stainless steel 316/A4 25x5mm
 with 2x ring stainless steel 316/A4 ø84x6mm
 on roses stainless steel 316/A4 ø67mm with 4 holes
 square stainless steel 316/A4 #8x100mm
 for maximum door thickness 72mm, LH/RH
 guide stainless steel 316/A4 77x20x2mm
 strike plate stainless steel 316/A4 77x20x2mm
 guide & strike plate with 2 countersunk holes
 (in boxes of 1 Pcs.)



546205

gate latches
 stainless steel 304/A2 unpolished
 with stainless steel fall, automatically
 padlockable, with 4 screwholes
 with rod bar stainless steel ø7mm
 (in boxes of 20 Pcs.)



548234

overlapping latches 310mm
 stainless steel 304/A2 electrolytic polished
 length 310mm, length 250mm till centre
 with plates 120x55x2mm with double hooks
 latch bolt 25x5mm (with black cover at the end)
 with padlock eye ø12mm
 plates with 4+4 countersunk screwholes
 (in boxes of 10 Pcs.)

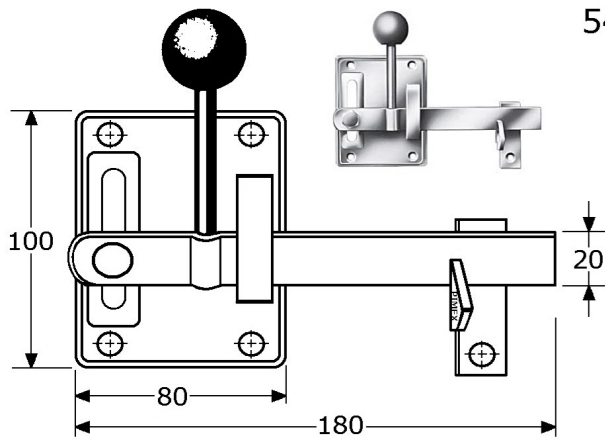


548239

overlapping latches 430mm
 stainless steel 304/A2 unpolished
 length 430mm, length 360mm till centre
 with plates 185x70x2,4mm with double hooks
 latch bolt 30x6mm, heavy duty
 with padlock eye ø13mm
 plates with 6+6 screwholes
 (only 1 Pcs. available)



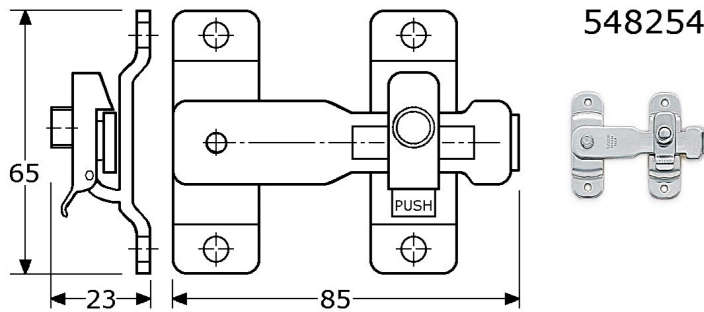
PIMEX B.V.
 Coenecoop 131
 2741 PJ WADDINXVEEN (NL)
 Tel. (31) 182 - 61 11 66
 Email: info@pimex.nl



546218

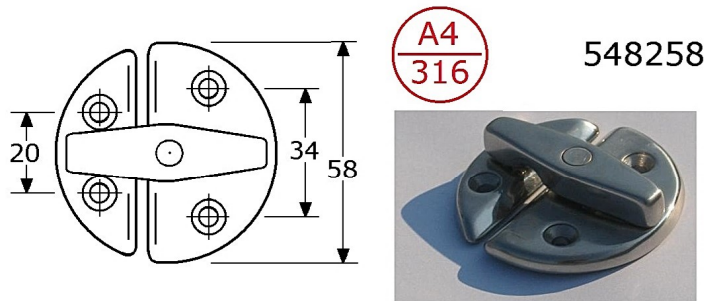
garden bar latches
 stainless steel 304/A2 electrolytic polished
 with strenghten ground plate 100x80x2mm
 with latch bolt length 180mm, material 20x3mm
 with black knob ø32mm on stainless steel rod
 35mm height adjustable, for left and right
 with striking hook stainless steel 304/A2
 wih 4+2 countersunk screwholes (5mm/M5)
 in boxes of 10 Pcs.

attention:
 the diameter of the knob is ø32mm, so look out for
 enough space behind the knob



548254

bar latches (automatical)
 stainless steel 304/A2 mirror polished
 with ground plate 65x20x2,5mm
 with latch bolt length 85mm, material 3mm
 safety type, highness 13/23mm
 ## latch bolt snaps into the strike to prevent
 accidental release; push strike tab to release ##
 for left and right easy use
 with strike stainless steel 65x20x2,5mm
 with 2+2 screwholes ø5mm
 in boxes of 10 Pcs.

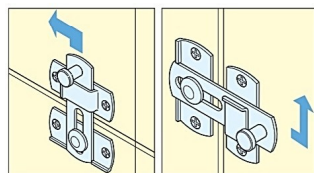


548258

latches on round plate ø58mm
 stainless steel 316/A4 mirror polished
 with handle SS-316 53mm, solid casting
 groundplate ø58mm, thickness 5mm
 highness 15mm
 for left and right easy use
 with "moon" striking plate SS-316 mirror polished
 with 2+2 countersunk screwholes (4mm/M4)
 in boxes of 10 Pcs.



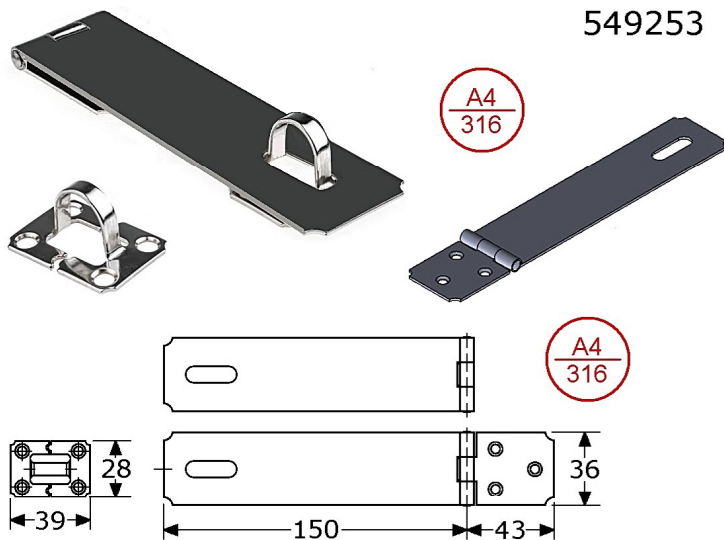
548203



bar latches
 stainless steel 304/A2 mirror polished
 with ground plate with highness 35mm
 with latch bolt length 50mm
 highness 15mm
 for left and right easy use
 with 2+2 screwholes (4mm/M4)
 in boxes of 20 Pcs. (delivery on request)



PIMEX B.V.
 Coenecoop 131
 2741 PJ WADDINXVEEN (NL)
 Tel. (31) 182 - 61 11 66
 Email: info@pimex.nl



549253

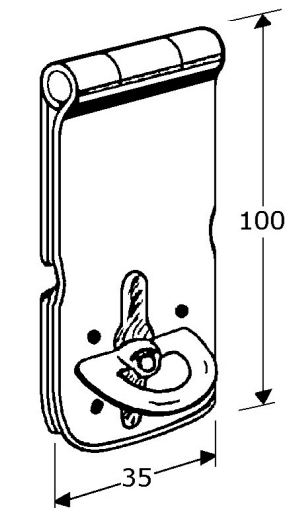
hasp 150x36x2mm
 stainless steel 316/A4 satin polished
 not adjustable, simple & profitable model
 length 150x36mm with unvisable mounting
 length 150+43=193mm with visable mounting
 with pressed stainless steel padlock eye \varnothing 13mm
 base high 8,5mm, total high 20mm
 base widthness 36mm, handle widthness 36mm
 on pressed ground plate 43x36mm
 with 3 countersunked screwholes (3,5/4mm)
 with eye plate 40x28mm with 4 holes (3,5/4mm)
 in boxes of 10 Pcs.

549272



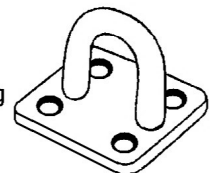
mini-hasp 50x22mm with revolving eye
 stainless steel 304/A2 satin polished
 with 2 countersunk holes, nice finish
 with eye plate 28x22mm with 2 countersunk holes
 (only small stock)

549275

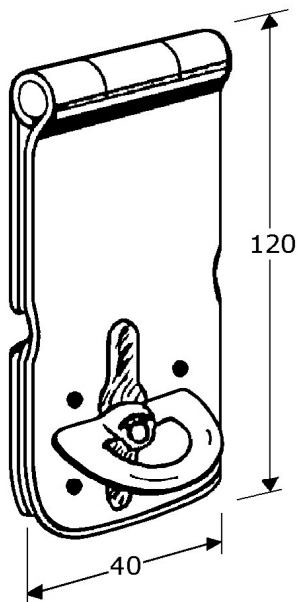


hasp 100x35x2mm with revolving eye
 stainless steel 304/A2 satin polished
 not adjustable, nice finish
 with big stainless steel padlock eye \varnothing 11mm,
 can also be closed by turning the revolving eye
 base high 8mm, total high 35mm
 base widthness 35mm, handle widthness 35mm
 on pressed ground plate 35x35mm
 with 3 countersunked screwholes (4mm/M4)
 with eye plate 35x35mm with 4 holes (4mm/M4)
 in boxes of 10 Pcs.

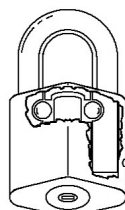
PIMEX can als deliver:
 - eye plates 40x35mm, not revolving
 stainless steel 304/A2 (173240)



549276



hasp 120x40x2,5mm with revolving eye
 stainless steel 304/A2 satin polished
 not adjustable, nice finish
 with big stainless steel padlock eye \varnothing 10,5mm
 can also be closed by turning the revolving eye
 base high 11mm, total high 38mm
 base widthness 40mm, handle widthness 40mm
 on pressed ground plate 40x40mm
 with 4 countersunked screwholes (4,5mm)
 with eye plate 40x40mm with 4 holes (4,5mm)
 in boxes of 5 Pcs.



for padlocks out of stainless steel
 see page GY-689a (group 06)
 (for 549275 you can use 689261)
 (for 549276 you can use 689261)



PIMEX B.V.
 Coenecoop 131
 2741 PJ WADDINXVEEN (NL)
 Tel. (31) 182 - 61 11 66
 Email: info@pimex.nl