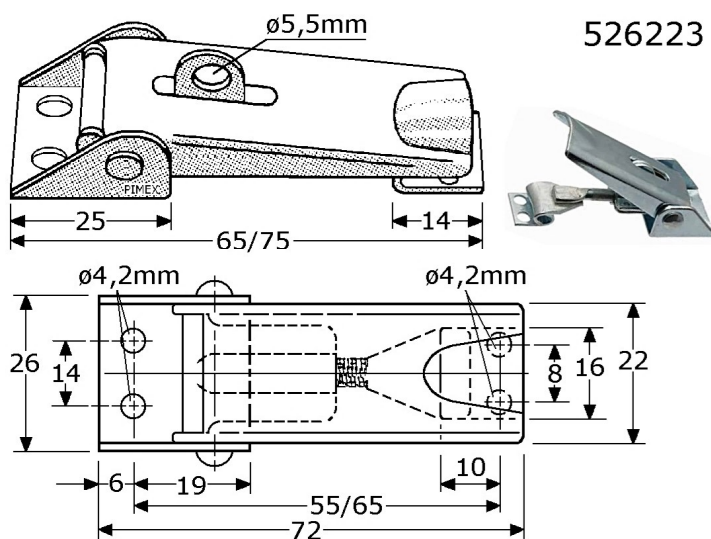
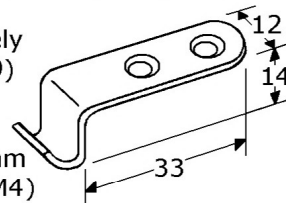


526221

draw latch 65-75mm, base+handle length 72mm
 stainless steel 304/A2
 10mm adjustable (M5-fine)
 base high 18mm, without padlock eye
 base widthness 26mm, handle widthness 22mm
 maximum load 200 Kg (2000 N), travel length 9mm
 with 2 screwholes $\varnothing 4,2$ mm
 with flat keeper plate with 2 screwholes $\varnothing 4,2$ mm
 in boxes of 50 Pcs.
 standard 526221 will be delivered with flat keeper

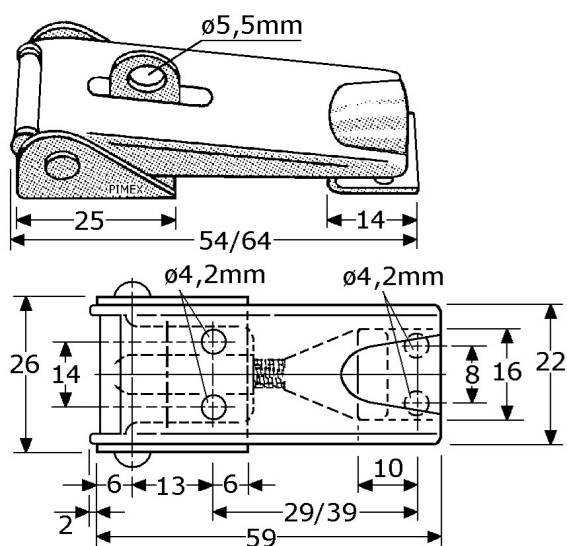
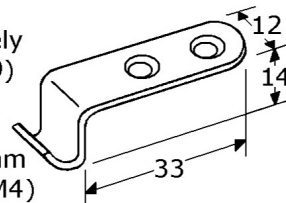
extra you can order separately
 a hook keeper plate (522289)
 stainless steel 316/A4
 high 14mm, width 12mm
 plate 1,5mm, length 33/43mm
 2 countersunk holes (M3/M4)



526223

draw latch 65-75mm, base+handle length 72mm
 stainless steel 304/A2
 10mm adjustable (M5-fine)
 with stainless steel padlock eye $\varnothing 5,5$ mm
 base high 18mm, total high 27mm
 base widthness 26mm, handle widthness 22mm
 maximum load 200 Kg (2000 N), travel length 9mm
 with 2 screwholes $\varnothing 4,2$ mm
 with flat keeper plate with 2 screwholes $\varnothing 4,2$ mm
 in boxes of 50 Pcs.
 standard 526223 will be delivered with flat keeper

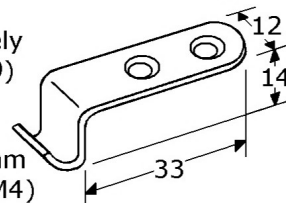
extra you can order separately
 a hook keeper plate (522289)
 stainless steel 316/A4
 high 14mm, width 12mm
 plate 1,5mm, length 33/43mm
 2 countersunk holes (M3/M4)



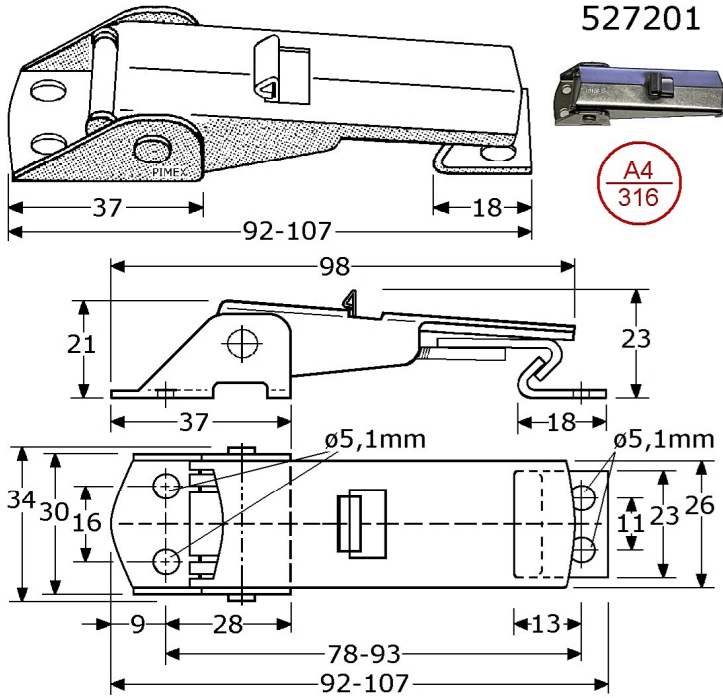
526224

draw latch 54-64mm, base+handle length 61mm
 stainless steel 304/A2
 10mm adjustable (M5-fine)
 with stainless steel padlock eye $\varnothing 5,5$ mm
 ### against burglary, unvisable mounting ###
 base high 18mm, total high 27mm
 base widthness 26mm, handle widthness 22mm
 maximum load 200 Kg (2000 N), travel length 9mm
 with 2 screwholes $\varnothing 4,2$ mm
 with flat keeper plate with 2 screwholes $\varnothing 4,2$ mm
 in boxes of 50 Pcs.
 standard 526224 will be delivered with flat keeper

extra you can order separately
 a hook keeper plate (522289)
 stainless steel 316/A4
 high 14mm, width 12mm
 plate 1,5mm, length 33/43mm
 2 countersunk holes (M3/M4)



PIMEX B.V.
 Coenecoop 131
 2741 PJ WADDINXVEEN (NL)
 Tel. (31) 182 - 61 11 66
 Email: info@pimex.nl



527201



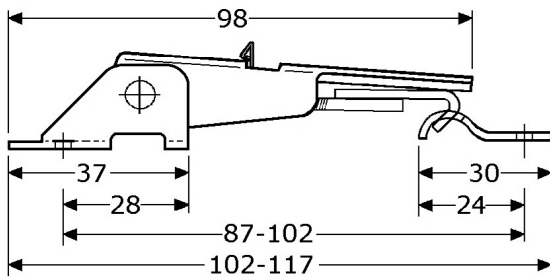
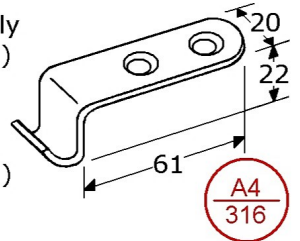
draw latch 92-107mm, base+handle length 107mm stainless steel 316/A4
 15mm adjustable (M6 + pressed hook width 16mm) with stainless steel safety knob/catch ### to prevent accidental opening/release ### base high 21mm, without padlock eye base widthness 30mm, handle widthness 26mm maximum load 270 Kg (2700N), travel length 14mm with 2 screwholes $\varnothing 5,1$ mm with flat keeper plate with 2 screwholes $\varnothing 5,1$ mm in boxes of 25 Pcs.
 standard 527201 will be delivered with flat keeper

PIMEX can also deliver:

- like draw latch 527201, but in stainless steel 304/A2 (527202)

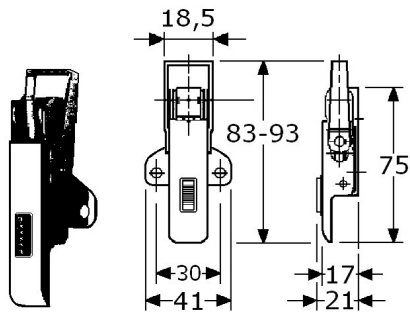


extra you can order separately a hook keeper plate (524289) stainless steel 316/A4 high 22mm, width 20mm plate 2mm, length 61/76mm 2 countersunk holes (5mm)



527205

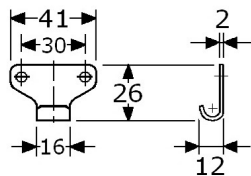
keeper plate, flat (for draw latch 527202) stainless steel 304/A2, total width 26mm rounded with inside hole width 17mm length 30mm, thickness 2mm with 2 holes $\varnothing 5,1$ mm c.t.c. 12,7mm in boxes of 25 Pcs.



526235



draw latch 105-115mm, base+handle 75mm stainless steel 304/A2, with possibility for sealing 10mm adjustable (at the top of the bolt) pulling pin widthness inside 18,5mm with stainless steel safety knob/catch ### to prevent accidental opening/release ### highness 17/21mm base widthness 41mm, handle widthness 17,5mm maximum load 350 Kg (3500 N), travel length 38mm with 3 screwholes $\varnothing 4,2$ mm WITH keeper plate 526236 in boxes of 10 Pcs.



526236

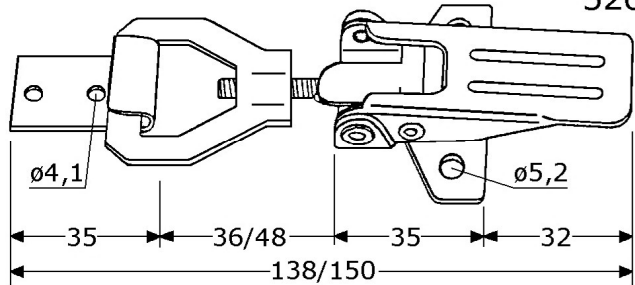


[extra] keeper plate for draw latch 526235 stainless steel 304/1.4301 widthness 16/41mm, length 26x2mm, flat with 2 screwholes $\varnothing 4,2$ mm in boxes of 10 Pcs.

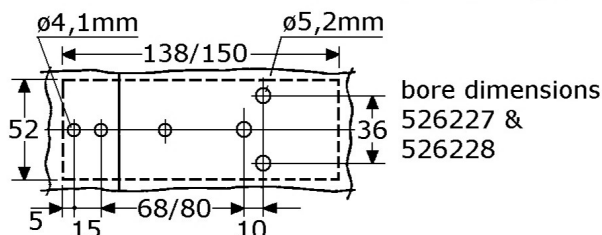
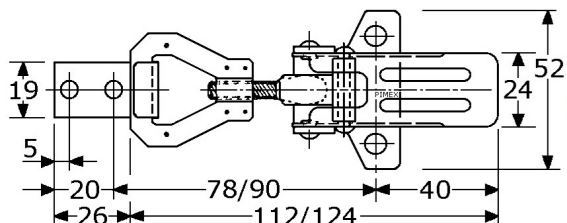


PIMEX B.V.
 Coenecoop 131
 2741 PJ WADDINXVEEN (NL)
 Tel. (31) 182 - 61 11 66
 Email: info@pimex.nl

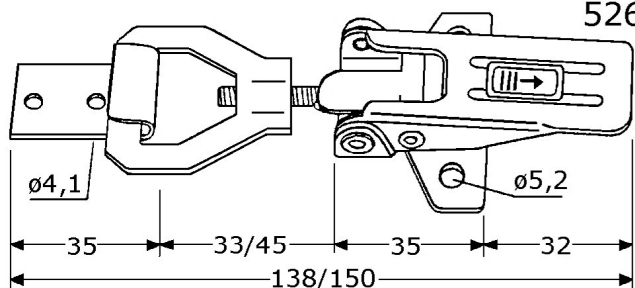
526227



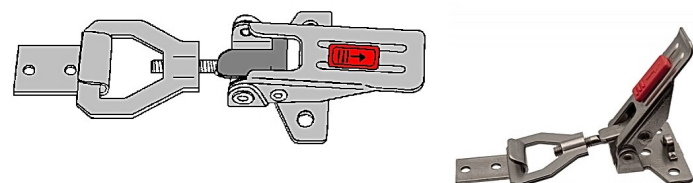
draw latch, total length 138-150mm
 stainless steel 304/A2
 12mm adjustable with flat triangle eye M6
 base high 18mm, without padlock eye
 base widthness 52mm, handle widthness 24mm
 maximum load 250 Kg (2500N), travel length 16mm
 with 3 screwholes $\varnothing 5,2$ mm
 with flat keeper plate with 2 screwholes $\varnothing 4,1$ mm
 in boxes of 25 Pcs.
 standard 526227 will be delivered with flat keeper



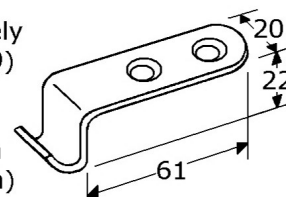
526228



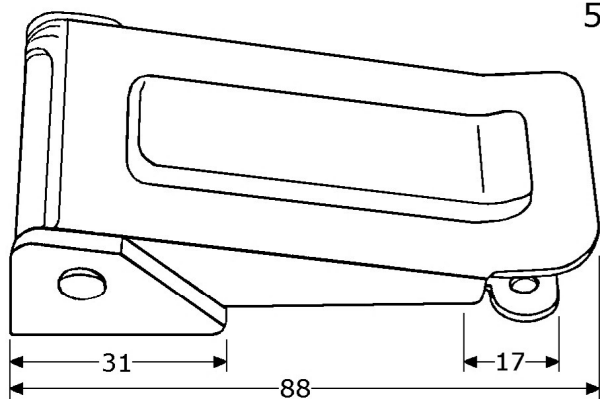
draw latch, total length 138-150mm
 stainless steel 304/A2
 12mm adjustable with flat triangle eye M6
 with red safety catch: no accidental opening/release
 base high 18mm, without padlock eye
 base widthness 52mm, handle widthness 24mm
 maximum load 250 Kg (2500N), travel length 16mm
 with 3 screwholes $\varnothing 5,2$ mm
 with flat keeper plate with 2 screwholes $\varnothing 4,1$ mm
 in boxes of 25 Pcs.
 standard 526228 will be delivered with flat keeper



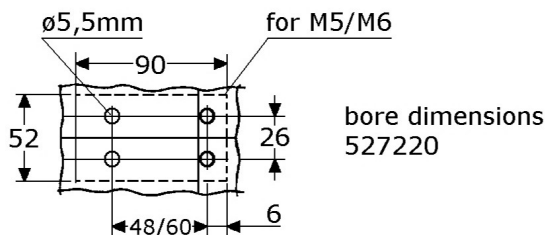
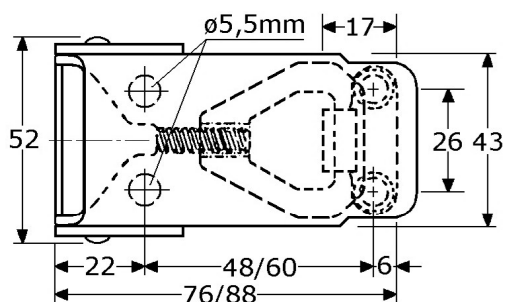
extra you can order separately
 a hook keeper plate (524289)
 stainless steel 316/A4
 high 22mm, width 20mm
 plate 2mm, length 61/76mm
 2 countersunk holes (5mm)



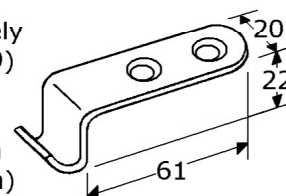
527220



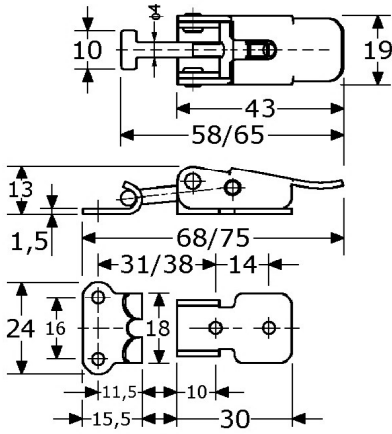
draw latch 88mm, total length maximum 88mm
 stainless steel 304/A2
 12mm adjustable with flat triangle eye M6
 base high 25mm, without padlock eye
 base widthness 52mm, handle widthness 43mm
 maximum load 300 Kg (3000N), travel length 13mm
 with 2 screwholes $\varnothing 5,5$ mm
 with flat keeper plate with 2 screwholes (M5/M6)
 in boxes of 25 Pcs.
 standard 527220 will be delivered with flat keeper



extra you can order separately
 a hook keeper plate (524289)
 stainless steel 316/A4
 high 22mm, width 20mm
 plate 2mm, length 61/76mm
 2 countersunk holes (5mm)



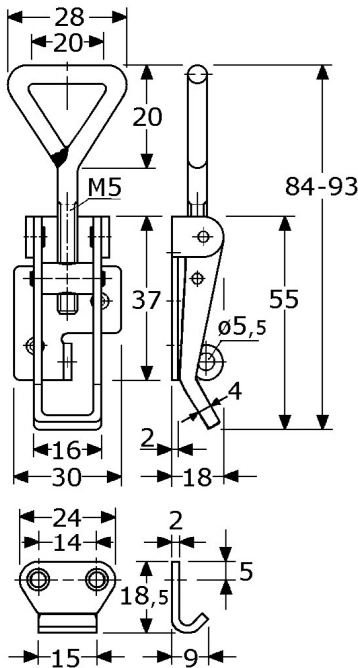
DRAW LATCHES, stainless steel



526210



draw latch 58-65mm, total length 68-75mm
 stainless steel 304/A2
 7mm adjustable with welded T-bolt M4
 (total length is easy 5mm shortable)
 ### small & slim model ###
 base high 13mm, no padlock eye
 widthness house/handle 19mm
 maximum loading 50 Kg (500 N), travel length 20mm
 on pressed groundplate 1,5mm
 with 2 screw holes $\varnothing 3,3$ mm
 with flat keeper plate with 2 screw holes $\varnothing 3,3$ mm
 in boxes of 25 Pcs.
 standard 526210 will be delivered with flat keeper

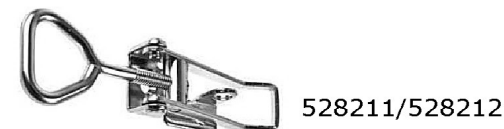
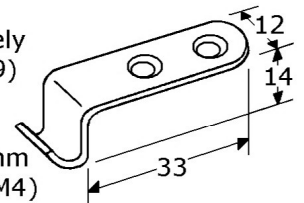


526245



draw latch 84-93mm, total length 96-105mm
 stainless steel 304/A2
 9mm adjustable with welded triangle eye M5
 with stainless steel padlock eye $\varnothing 5,5$ mm
 ### economical type ###
 base high 18mm, total high 18mm
 base widthness 30mm, handle widthness 16mm
 maximum load 75 Kg (750 N), travel length 20mm
 on pressed groundplate thickness 2mm
 with 3 countersunk screwholes (4mm/M4)
 with flat keeper plate with 2 screwholes (3,5/4mm)
 in boxes of 25 Pcs.
 standard 526245 will be delivered with flat keeper

extra you can order separately
 a hook keeper plate (522289)
 stainless steel 316/A4
 high 14mm, width 12mm
 plate 1,5mm, length 33/43mm
 2 countersunk holes (M3/M4)



528211/528212



528221



528224

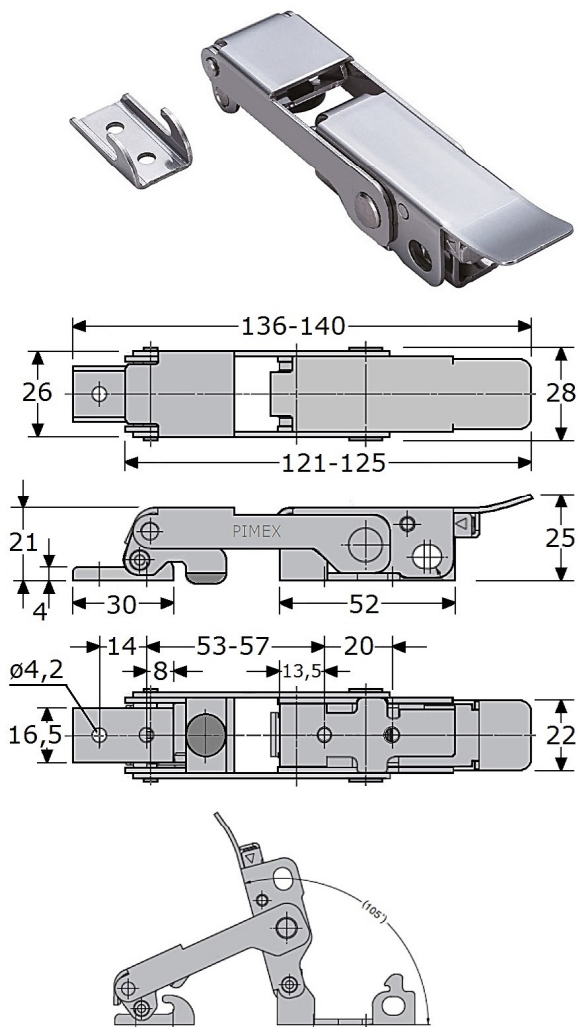
also possible:
 - bigger type in stainless steel
 like 528211/528212, see page GY-525b
 - bigger type in stainless steel with T-bolt
 like 528224, see page GY-526a



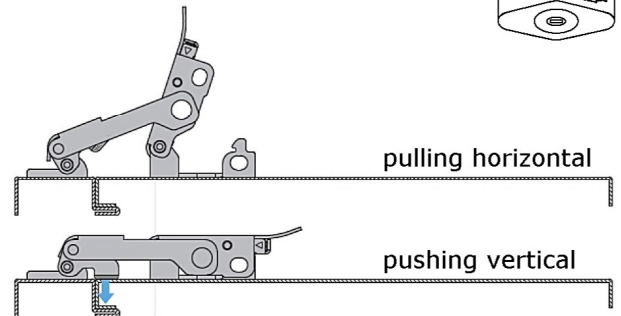
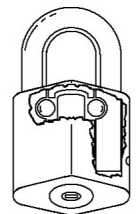
PIMEX B.V.
 Coenecoop 131
 2741 PJ WADDINXVEEN (NL)
 Tel. (31) 182 - 61 11 66
 Email: info@pimex.nl

526281

compression draw latch, length 136-140mm
 stainless steel 304/A2 satin polished
 4mm adjustable, easy adjustable after mounting
 (adjustable by screwdriver)
 with stainless steel 304/A2 safety push knob/catch
 with stainless steel torsion spring
 compression by closing the handle:
 the spring will pull horizontal and will be
 pushing vertical with the EPDM bumper,
 therefore also useful for closing doors
 no vibrating, no irritating sound, first quality
 base high 21/25mm, widthness 28mm
 with inclose padlock eye $\varnothing 7\text{mm}$
 maximum load 220 Kg (2200 N)
 with 2 screwholes $\varnothing 4,2\text{mm}$
 with flat keeper plate with 2 screwholes $\varnothing 4,2\text{mm}$
 in boxes of 10 Pcs.

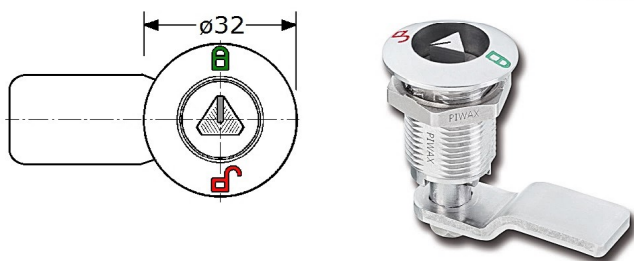


for padlocks out of stainless steel,
 see our page GY-689a
 (for 526281 you can use 689241)



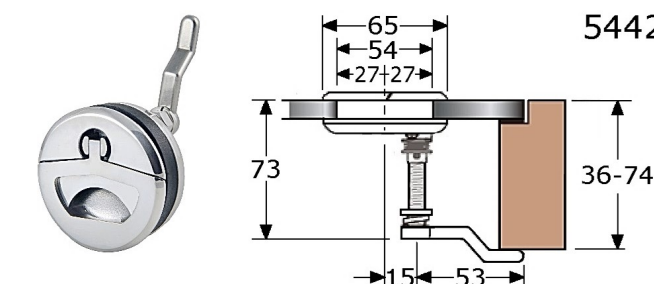
653452

PIWAX quarter-turn compression latches, LEFT
 stainless steel 316/A4
 front mirror polished, with triangular \triangle 8mm
 body length 32mm, for maximum 22mm plate
 front with marked arrow and red/green indication
 close: 1th 90° rotation of cam to close position,
 then the 2th 90° will pull the cam towards the frame
 open: reversed of the closing action (90+90=180°)
 sea-water continually, water and dust tight,
 with 6mm compression, vibration proof
 with each 1 nut stainless steel 316/A4 M22
 more information: see page GY-653c (group 06)

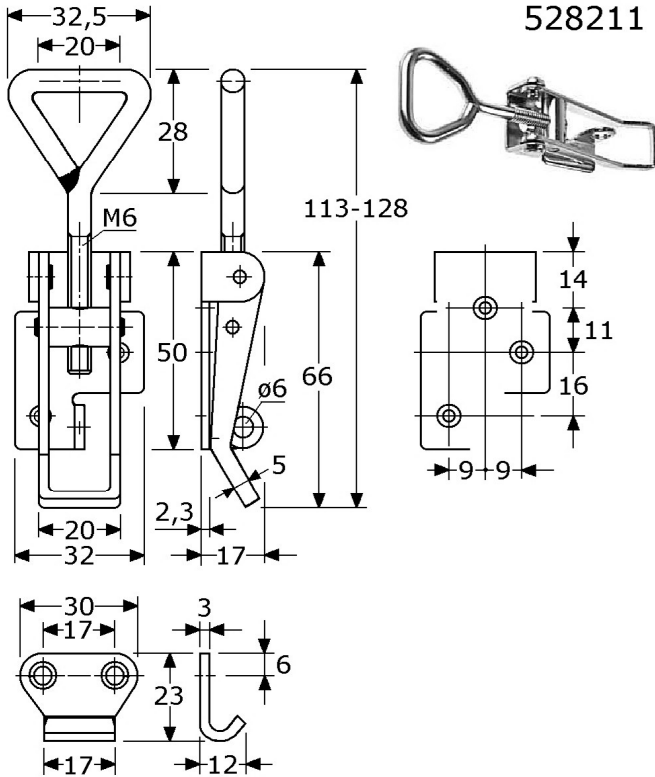


544204

compression latches $\varnothing 65\text{mm}$
 stainless steel 316/A4/1.4401 mirror polished
 with stainless steel 316/A4 lift ring (lift & turn)
 open: lift the D-ring and then 90° turn
 close: 1th 90° rotation of the D-ring & cam
 then close the D-ring: the cam puls to the frame
 with 3mm compression, water and dust tight
 if D-ring is flat, the latch is always closed
 adjustable cam stainless steel 316/A4 10x5mm
 length cam 53mm till centre, total length 60mm
 more information: see page GY-545a (group 05)



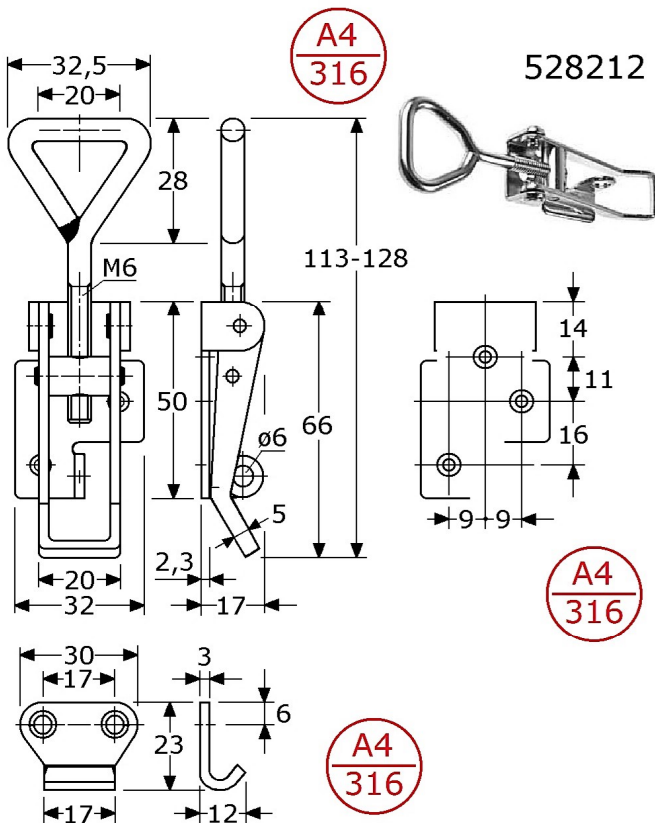
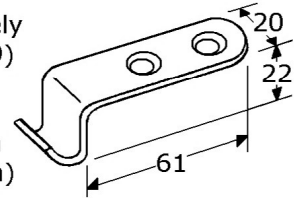
PIMEX B.V.
 Coenecoop 131
 2741 PJ WADDINXVEEN (NL)
 Tel. (31) 182 - 61 11 66
 Email: info@pimex.nl



528211

draw latch 113-128mm, total length 128-143mm
 stainless steel 304/A2
 15mm adjustable with welded triangle eye M6
 with stainless steel padlock eye \varnothing 6mm
 ### economical type ###
 base high 17mm, total high 18mm
 base widthness 32mm, handle widthness 20mm
 maximum load 250 Kg (2500N), travel length 20mm
 on pressed groundplate thickness 2,3mm
 with 3 countersunk screwholes (4mm/4,5mm/M4)
 with flat keeper plate with 2 screwholes (4mm/5mm)
 in boxes of 25 Pcs.
 standard 528211 will be delivered with flat keeper

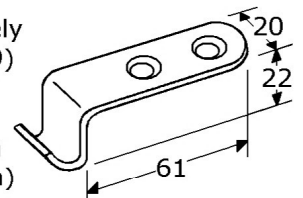
extra you can order separately
 a hook keeper plate (524289)
 out of stainless steel 316/A4
 high 22mm, width 20mm
 plate 2mm, length 61/76mm
 2 countersunk holes (5mm)



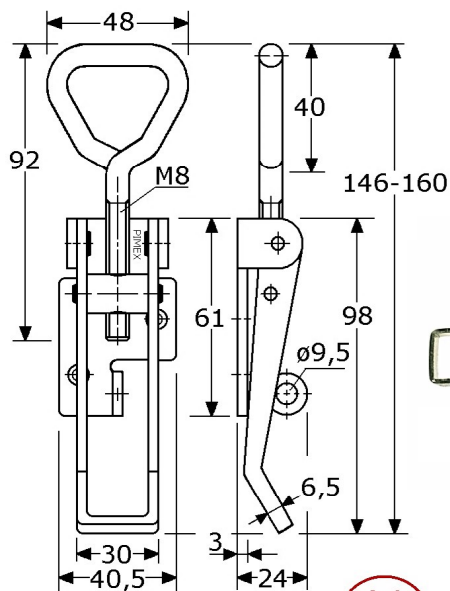
528212

draw latch 113-128mm, total length 128-143mm
 stainless steel 316/A4
 15mm adjustable with welded triangle eye M6
 with stainless steel padlock eye \varnothing 6mm
 ### economical type ###
 base high 17mm, total high 18mm
 base widthness 32mm, handle widthness 20mm
 maximum load 250 Kg (2500N), travel length 20mm
 on pressed groundplate thickness 2,3mm
 with 3 countersunk screwholes (4mm/4,5mm/M4)
 with flat keeper plate with 2 screwholes (4mm/5mm)
 in boxes of 25 Pcs.
 standard 528212 will be delivered with flat keeper

extra you can order separately
 a hook keeper plate (524289)
 out of stainless steel 316/A4
 high 22mm, width 20mm
 plate 2mm, length 61/76mm
 2 countersunk holes (5mm)



PIMEX B.V.
 Coenecoop 131
 2741 PJ WADDINXVEEN (NL)
 Tel. (31) 182 - 61 11 66
 Email: info@pimex.nl



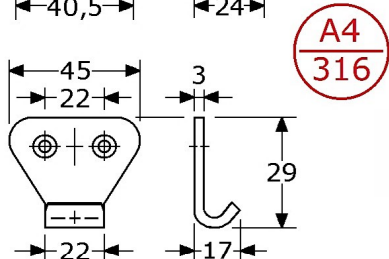
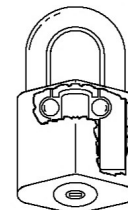
528221

A4
316

draw latch 146-160mm, total length 155-169mm stainless steel 316/A4
14mm adjustable with triangle eye M8 with stainless steel padlock eye $\varnothing 9,5$ mm
heavy duty & stainless steel 316 ###
base high 23mm, total high 24mm
base widthness 40,5mm, handle widthness 30mm
maximum load 400 Kg (4000N), travel length 28mm
on pressed groundplate thickness 3mm
with 3 countersunked screwholes (5mm/M5)
(without keeper plate, to be ordered separately)
in boxes of 10 Pcs.



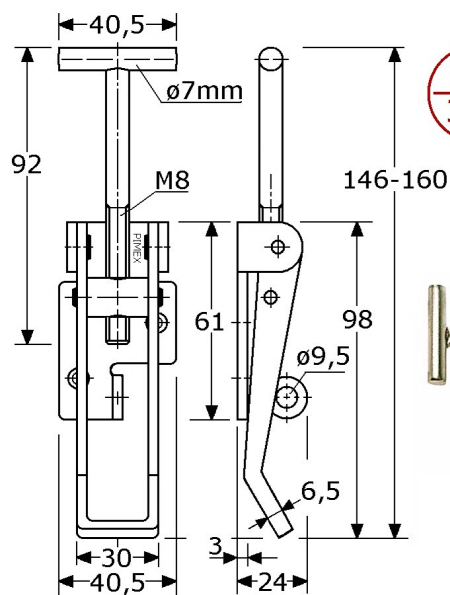
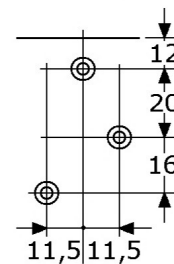
for padlocks out of stainless steel see our page GY-689a
(for 528221 you can use 689251)



A4
316

528223

keeper plate, flat (for draw latch 528221) stainless steel 316/A4
widthness 22/45mm, length 29mm, thickness 3mm
with 2 countersunked screwholes (5mm/M5)
in boxes of 10 Pcs.



A4
316

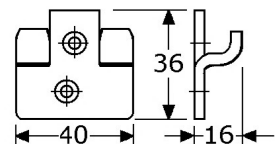
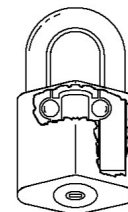
528224

draw latch 146-160mm, total length 155-169mm stainless steel 316/A4
14mm adjustable with heavy duty T-bolt M8 with stainless steel padlock eye $\varnothing 9,5$ mm
heavy duty & stainless steel 316 ###
base high 23mm, total high 24mm
base widthness 40,5mm, handle widthness 30mm
maximum load 500 Kg (5000N), travel length 28mm
on pressed groundplate thickness 3mm
with 3 countersunked screwholes (5mm/M5)
(without keeper plate, to be ordered separately)
in boxes of 10 Pcs.

profitable model !!!



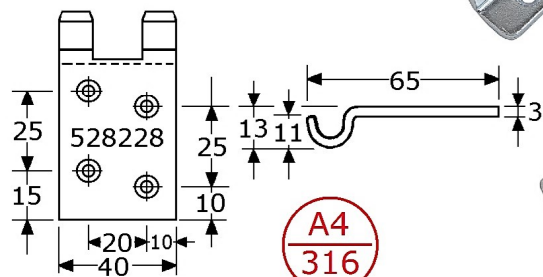
for padlocks out of stainless steel see our page GY-689a
(for 528224 you can use 689251)



A4
316

528225

keeper plate, flat (for draw latch 528224) stainless steel 316/A4
36x40x3mm (special made for T-bolt)
with 2 countersunked screwholes (5mm/M5)
in boxes of 10 Pcs.



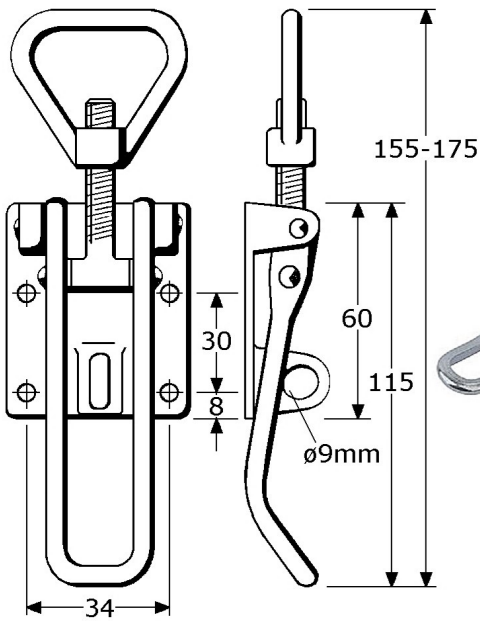
A4
316

528228

hook keeper plate, high 13mm (for 528224) stainless steel 316/A4
65x40x3mm (special made for T-bolt)
with 4 countersunked screwholes (5mm/M5)
in boxes of 10 Pcs.



DRAW LATCHES, stainless steel

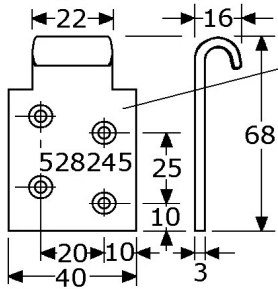
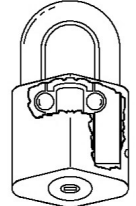


528244



draw latch 155-175mm, total length 213-233mm stainless steel 316/A4
 20mm adjustable with casting triangle eye M8 with stainless steel padlock eye \varnothing 9mm
 ### heavy duty & stainless steel 316 ###
 base high 21mm, total high 23mm
 base widthness 50mm, handle widthness 31mm
 maximum load 600 Kg (6000N), travel length 27mm on casting groundplate 60x50x3mm with 4 countersunk screwholes (5mm/M5) (without keeper plate, to be ordered separately) in boxes of 6 Pcs.

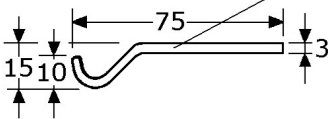
for padlocks out of stainless steel see our page GY-689a (for 528244 you can use 689251)



528245



keeper plate, flat (for draw latch 528244) stainless steel 316/A4
 68x22/40x3mm with 4 countersunk screwholes (5mm/M5) in boxes of 6 Pcs.



528248



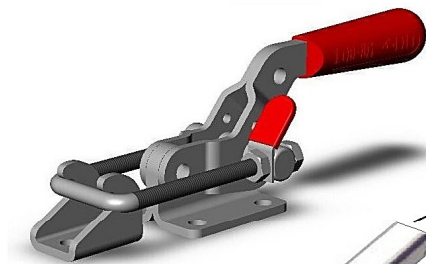
hook keeper plate, high 15mm (for 528244) stainless steel 316/A4
 75x22/40x3mm with 4 countersunk screwholes (5mm/M5) in boxes of 6 Pcs.



528224

other PIMEX heavy duty draw latches:

draw latches with maximum load 500 Kg (5000N) stainless steel 316/A4/1.4401, adjustable normally in stock, see page GY-526a



528264

draw latches with maximum load 700 Kg (7000N) stainless steel 304/A2/1.4301, adjustable (delivery on request, see page GY-527d)



528291

draw latches with maximum load 2500 kg (25000N) stainless steel 304/A2/1.4301, adjustable normally in stock, see page GY-527b



528297

draw latches with maximum load 2500 kg (25000N) stainless steel 304/A2/1.4301, adjustable normally in stock, see page GY-527a

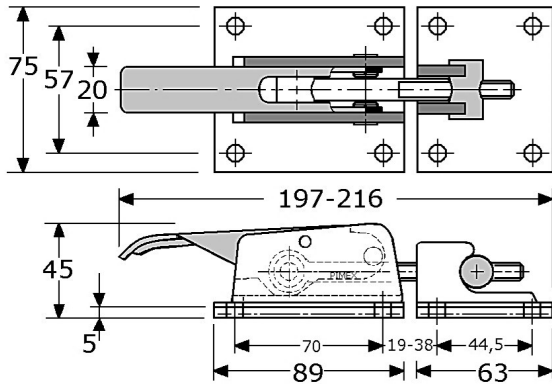


PIMEX B.V.
 Coenecoop 131
 2741 PJ WADDINXVEEN (NL)
 Tel. (31) 182 - 61 11 66
 Email: info@pimex.nl

528297



draw latch 187mm, total length 197-216mm
 stainless steel 304/A2 with short handle
 19mm adjustable with adjustable roll $\varnothing 16 \times 30 \text{mm}$
 (adjustable with bolt M10x1,25-fine)
 with possibility for sealing (hole $\varnothing 4 \text{mm}$)
 with padlock eye $\varnothing 9,2 \text{mm}$ (long shackle required)
 ### heavy duty for 2500 Kg ###
 highness 45mm
 base widthness 75mm, handle widthness 20mm
 max. load 2500 Kg (25.000N), travel length 50mm
 riveted on heavy duty groundplate 89x75x5mm
 with 4 big screwholes $\varnothing 8,2 \text{mm}$
 with flat keeper plate with 4 big screwholes $\varnothing 8,2 \text{mm}$
 in boxes of 1 Pcs.

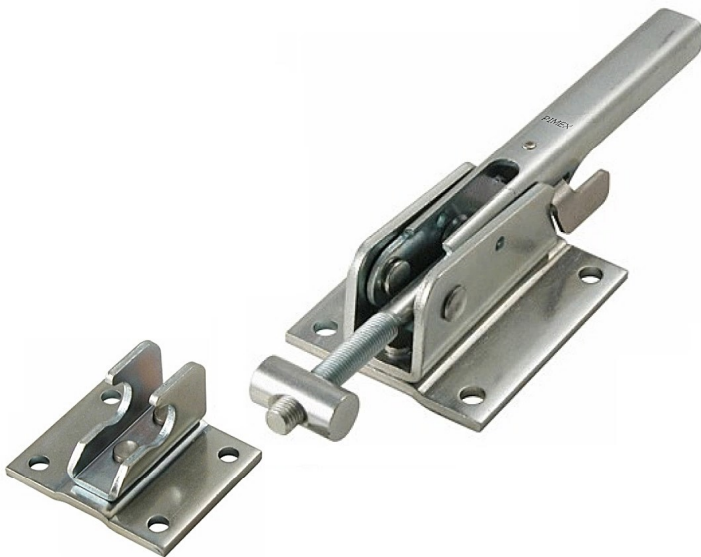


also possible:

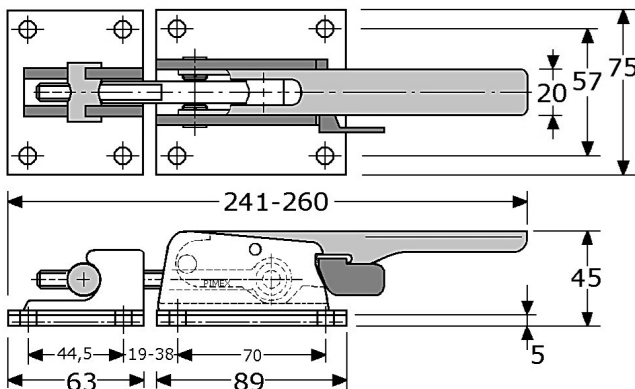
- without ground plate
 like 528290/528291/528292
 see page GY-527b



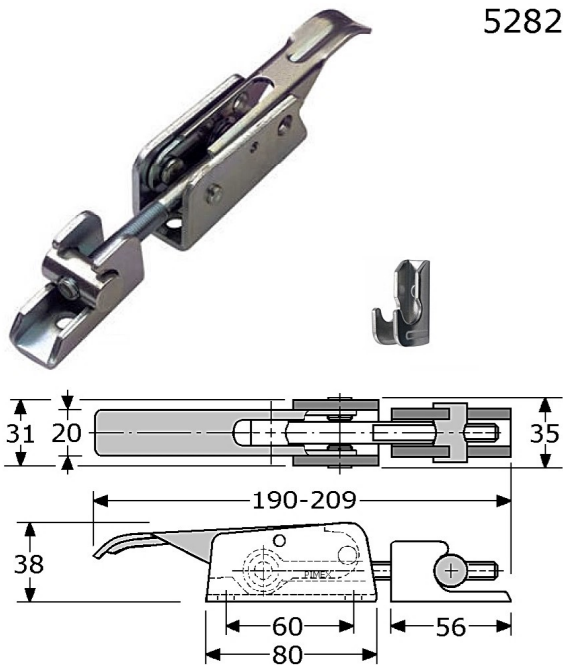
528299



draw latch 231mm, total length 241-260mm
 stainless steel 304/A2 with extended handle
 19mm adjustable with adjustable roll $\varnothing 16 \times 30 \text{mm}$
 (adjustable with bolt M10x1,25-fine)
 with possibility for sealing (hole $\varnothing 4 \text{mm}$)
 no padlock eye, with stainless steel safety catch
 ### to prevent accidental opening ###
 highness 45mm
 base widthness 75mm, handle widthness 20mm
 max. load 2500 Kg (25.000N), travel length 50mm
 riveted on heavy duty groundplate 89x75x5mm
 with 4 big screwholes $\varnothing 8,2 \text{mm}$
 with flat keeper plate with 4 big screwholes $\varnothing 8,2 \text{mm}$
 in boxes of 1 Pcs.



PIMEX B.V.
 Coenecoop 131
 2741 PJ WADDINXVEEN (NL)
 Tel. (31) 182 - 61 11 66
 Email: info@pimex.nl



528290

draw latch 187mm, total length 190-209mm
 stainless steel 304/A2 with short handle
 19mm adjustable with adjustable roll $\varnothing 16 \times 30$ mm
 (adjustable with bolt M10x1,25-fine)
 with possibility for sealing (hole $\varnothing 4$ mm)
 with padlock eye $\varnothing 9,2$ mm (long shackle required)
 ### heavy duty for 2500 Kg ###
 highness 38mm
 base widthness 31mm, handle widthness 20mm
 max. load 2500 Kg (25.000N), travel length 50mm
 no ground plate; with 2 big screwholes $\varnothing 8,2$ mm
 with flat keeper plate with 2 big screwholes $\varnothing 8,2$ mm
 in boxes of 1 Pcs.

also possible (on request):
 - like 528290, but stainless steel 316/A4 (528390)



528291

draw latch 231mm, total length 234-253mm
 stainless steel 304/A2 with extended handle
 19mm adjustable with adjustable roll $\varnothing 16 \times 30$ mm
 (adjustable with bolt M10x1,25-fine)
 with possibility for sealing (hole $\varnothing 4$ mm)
 with padlock eye $\varnothing 9,2$ mm (long shackle required)
 highness 38mm
 base widthness 31mm, handle widthness 20mm
 max. load 2500 Kg (25.000N), travel length 50mm
 no ground plate; with 2 big screwholes $\varnothing 8,2$ mm
 with flat keeper plate with 2 big screwholes $\varnothing 8,2$ mm
 in boxes of 1 Pcs.

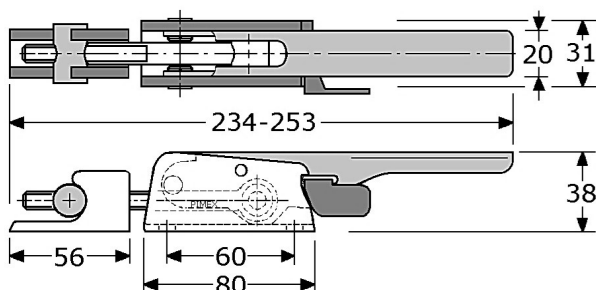
also possible (on request):
 - like 528291, but stainless steel 316/A4 (528391)



528292

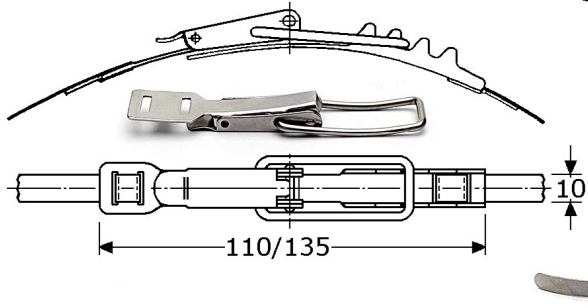
draw latch 231mm, total length 234-253mm
 stainless steel 304/A2 with extended handle
 19mm adjustable with adjustable roll $\varnothing 16 \times 30$ mm
 (adjustable with bolt M10x1,25-fine)
 with possibility for sealing (hole $\varnothing 4$ mm)
 no padlock eye, with stainless steel safety catch
 ### to prevent accidental opening ###
 highness 38mm
 base widthness 31mm, handle widthness 20mm
 max. load 2500 Kg (25.000N), travel length 50mm
 no ground plate; with 2 big screwholes $\varnothing 8,2$ mm
 with flat keeper plate with 2 big screwholes $\varnothing 8,2$ mm
 in boxes of 1 Pcs. (delivery on request)

also possible (on request):
 - like 528292, but stainless steel 316/A4 (528392)



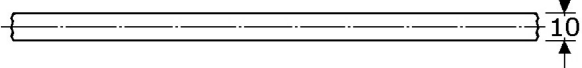
PIMEX B.V.
 Coenecoop 131
 2741 PJ WADDINXVEEN (NL)
 Tel. (31) 182 - 61 11 66
 Email: info@pimex.nl

529239



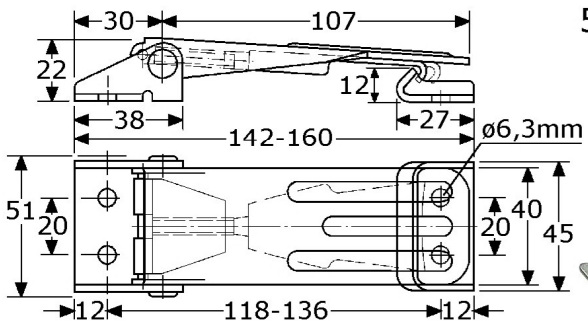
draw latch (band clamp), total 110-135mm stainless steel 304/A2, with possibility for sealing with long pulling pin $\varnothing 3\text{mm}$ special for band with widthness 10mm (band 529239 can be ordered separately) base high 12mm, without padlock eye max. widthness 22mm, handle widthness 14mm maximum load 150 Kg (1500N), travel length 20mm on curved long groundplate 66x11/20x0,9mm without screwholes, buckle system with curved keeper plate, adjustable in 4 positions in boxes of 10 Pcs.

529238

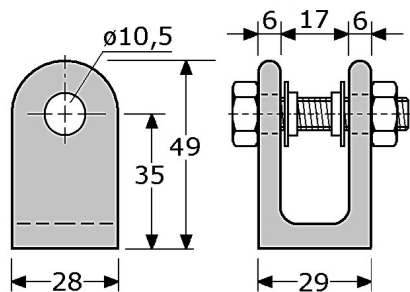


band with widthness 10mm stainless steel 304/A2 thickness 0,5mm, easy shorting & mounting special for draw latch (band clamp) 529239 (draw latch 529239 can be ordered separately) minimum quantity 10 Mtr.

527285



draw latch, total length 142-160mm stainless steel 304/A2 18mm adjustable (M6 + pressed hook width 30mm) base high 22mm, without padlock eye base widthness 51mm, handle widthness 40mm maximum load 400 Kg (4000N), travel length 12mm with 2 screwholes $\varnothing 6,3\text{mm}$ flat strengthen keeper plate with 2 holes $\varnothing 6,3\text{mm}$ in boxes of 10 Pcs. (delivery on request)



B268204

U-mounting plate for welding, for eye bolt M12 stainless steel 316-Ti/A4/1.4571, casting thick 6mm, total thick 29mm, opening 17mm with hexagon bolt SS-316 M10x40 with hexagon nut SS-316 M10 with nylon insert with each 2 nylon bearing for eye bolt M12 in boxes of 10 Pcs.



B264451

for B268204 you can use:

B265441

eye bolt SS-316 M12x100 (see also page GB-261)

B266041

ring nut SS-316 M12, width 53mm (page GB-262)

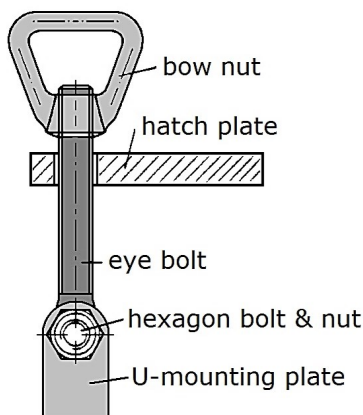
B266741

bow nut SS-316 M12, width 70mm (page GB-263)

B268994

wing nut SS-316 M12, width 100mm (page GB-264)

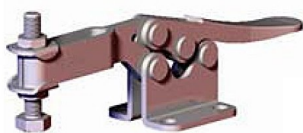
hatch plate SS-316 100x40x10mm with groove for M10/M12 (page GB-266)



PIMEX can also deliver this in M16 and M20, see also more details on page GB-267 and GB-268

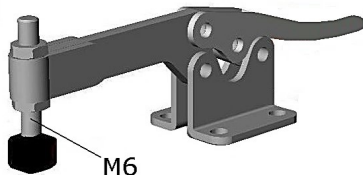


PIMEX B.V.
Coenecoop 131
2741 PJ WADDINXVEEN (NL)
Tel. (31) 182 - 61 11 66
Email: info@pimex.nl

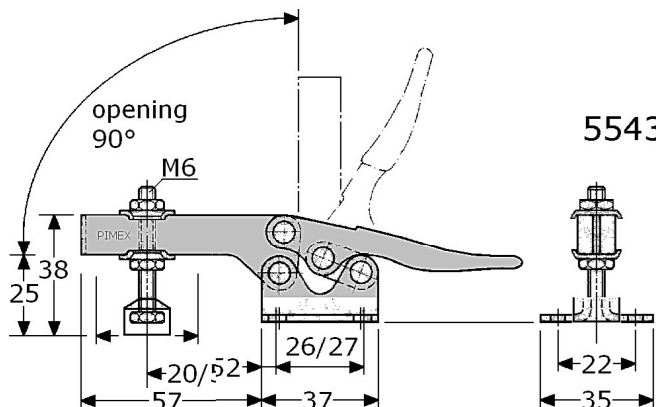


529491

horizontal hold down clamps
complete stainless steel 304/A2
length 141mm, highness 38mm
with adjustable stainless steel spindle M6
with hexagon top (without EPDM)
maximum press capacity 90 Kg (900 N)
with stainless steel riveted handle
with stainless steel nuts M6
flanged base, with 4 screwholes $\varnothing 5,2$ mm
in boxes of 6 Pcs.



M6



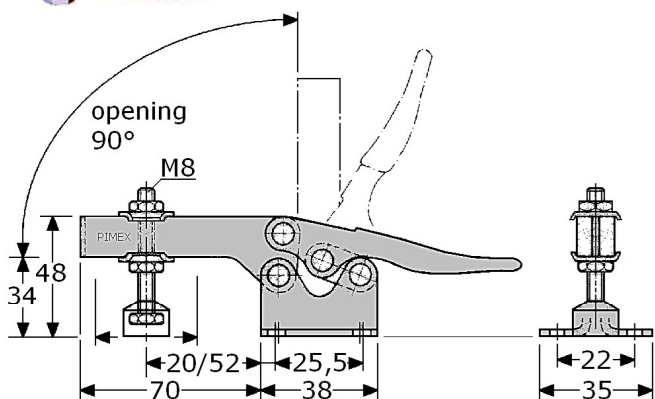
554369

(extra) for horizontal hold down clamps with M6
EPDM black stopper
for mounting over the hexagon top
to protect your instrument



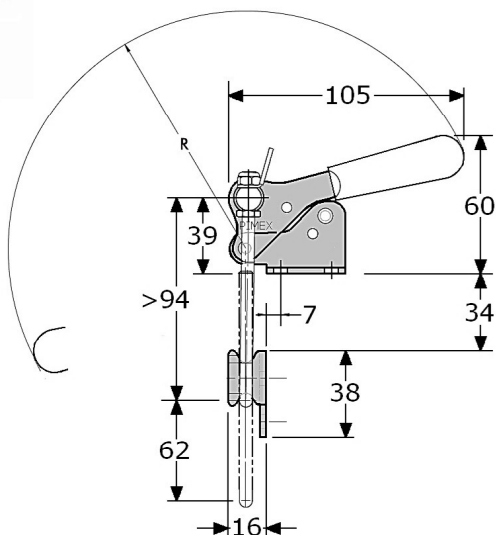
529493

horizontal hold down clamps
complete stainless steel 304/A2
length 171mm, highness 48mm
with adjustable stainless steel spindle M8
maximum press capacity 220 Kg (2200 N)
with stainless steel riveted handle
with stainless steel nuts M8
flanged base, with 4 screwholes $\varnothing 7,6$ mm
in boxes of 6 Pcs. (delivery on request)



529472

pull action latch clamps
stainless steel 304/A2
length 105mm, highness 62mm
15mm adjustable stainless steel spindle $\varnothing 5,5$ mm (M6)
maximum press capacity 320 Kg (3200 N)
with stainless steel riveted handle + red plastic grip
with stainless steel nuts M6
flanged base, with 4 screwholes $\varnothing 7$ mm
with keeper plate SS-304/A2 with 2 holes $\varnothing 5,5$ mm
in boxes of 6 Pcs. (delivery on request)



PIMEX B.V.
Coenecoop 131
2741 PJ WADDINXVEEN (NL)
Tel. (31) 182 - 61 11 66
Email: info@pimex.nl