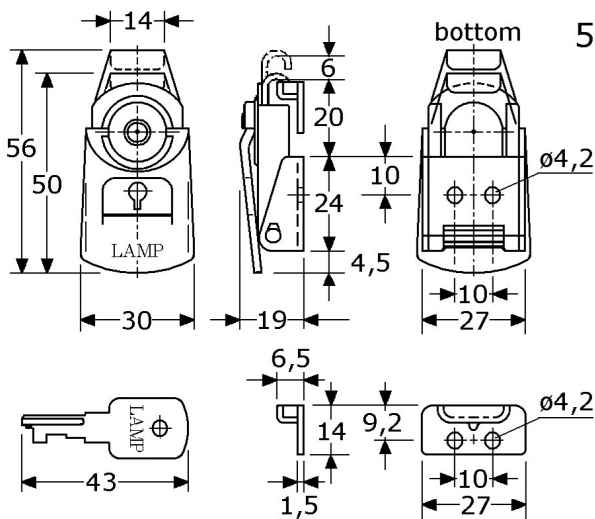


**520233** rotating draw latch  
 stainless steel 304/A2  
 with stainless steel lift & turn wing  
 length closed 46mm, length open 52mm  
 base high 15mm, maximum high 33mm  
 base widthness 24mm, wing widthness 38mm  
 maximum load 170 Kg (1700 N), travel length 6mm  
 with 2 screwholes  $\varnothing 3,5$ mm  
 without keeper plate  
 in boxes of 20 Pcs. (delivery on request)

**522283** flat keeper plate  
 stainless steel 304/A2  
 widthness 15/23mm, length 15x1,5mm  
 with 2 screwholes  $\varnothing 3,2$ mm  
 in boxes of 100 Pcs.



**520236** rotating draw latch  
 stainless steel 304/A2  
 with stainless steel lift & turn wing  
 length closed 50mm, length open 56mm  
 base high 19mm, maximum high 48mm  
 base widthness 27mm, wing widthness 30mm  
 maximum load 200 Kg (2000 N), travel length 6mm  
 with simple stainless steel lock (only 1 code)  
 with each 1 steel nickel key  
 with 2 screwholes  $\varnothing 4,2$ mm  
 flat keeper plate 14x27mm with 2 holes  $\varnothing 4,2$ mm  
 in boxes of 10 Pcs.  
 standard 520236 will be delivered with flat keeper



PIMEX has a big range of draw latches  
 in stainless steel (all normally in stock):

- not adjustable (page GY-520b, GY-521a/b/c/d, GY-522a/b, GY-528b, GY-529a)
- adjustable (page GY-523a/b, GY-524a/b, GY-525a/b, GY-526a/b, GY-527a/b, GY-528a, GY-529b)
- with padlock eye (page GY-520b, GY-521a/b/c/d, GY-523a, GY-524b, GY-525a/b, GY-526a/b, GY-527a/b)
- with inside lock (page GY-520a, page GY-520b)
- heavy duty (page GY-521c/d, GY-526a/b, GY-527a/b, GY-528a)
- stainless steel 316/A4 (page GY-520b, GY-521a, GY-522b, GY-523b, GY-525b, GY-526a/b, GY-528a)
- with possibility for sealing (page GY-521a/b/c, GY-523b, GY-525a, GY-527a/b, GY-528a/b)
- with black rubber "T"-handle (page GY-529a)
- with band (page GY-528a)
- hatch fastener (page GY-520b)



526281



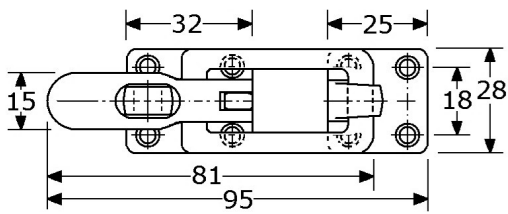
528299



526228



**PIMEX B.V.**  
 Coenecoop 131  
 2741 PJ WADDINXVEEN (NL)  
 Tel. (31) 182 - 61 11 66  
 Email: info@pimex.nl



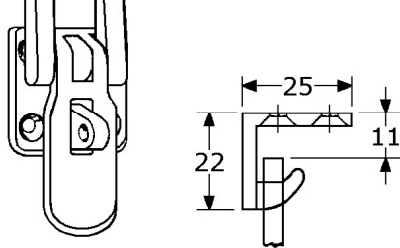
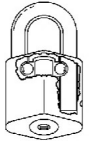
**521215**



draw latch (hatch fastener) 95x28mm stainless steel 316/A4 mirror polished, casting not adjustable, nice finish with stainless steel padlock eye  $\varnothing$ 7mm base high 13mm, total high 20mm base widthness 28mm, handle widthness 15mm maximum load: (unknown), travel length 22mm on casting groundplate 32x28x3mm with 4 countersunk screwholes (3,5mm/4mm/M4) with flat keeper plate 25x28x4mm in boxes of 10 Pcs.

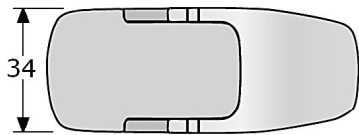


for padlocks out of stainless steel, see our page GY-689a (for 521215: you can use 689241/689246)



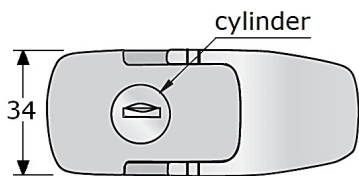
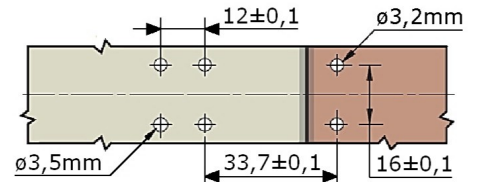
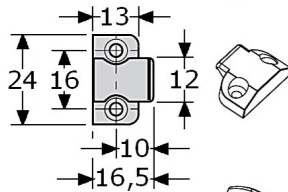
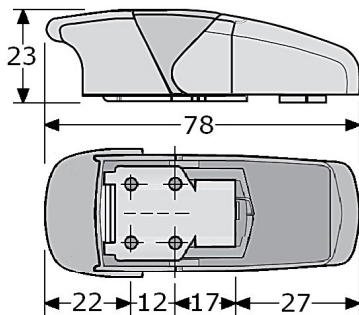
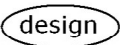
**521238**

inside hook keeper plate 22x25x29x3mm stainless steel 316/A4 mirror polished, casting with 3 countersunk screwholes (4mm/M4) in boxes of 4 Pcs. (discontinued)



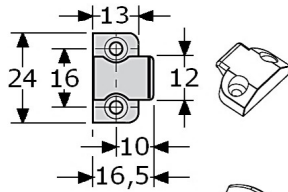
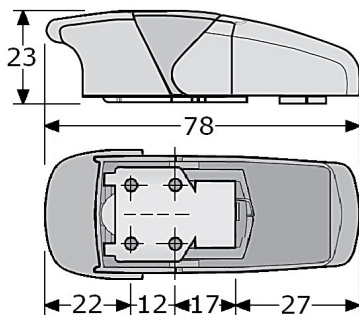
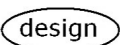
**527261**

draw latch 78x34mm stainless steel 316/A4 mirror polished, casting not adjustable, unvisible mounting with hidden stainless steel torsion spring no vibrating, no irritating sound very nice design, first quality base high 23mm, widthness 34mm maximum load 120 Kg (1200 N), travel length 4mm with 4 screwholes  $\varnothing$ 3,5mm with flat keeper plate with 2 screwholes  $\varnothing$ 3,2mm in boxes of 6 Pcs.

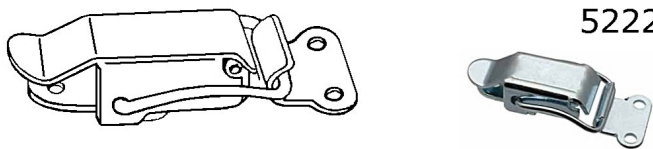


**527263**

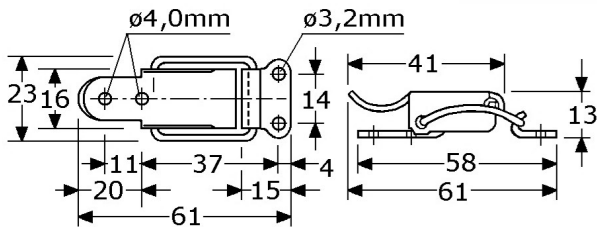
draw latch 78x34mm stainless steel 316/A4 mirror polished, casting not adjustable, unvisible mounting with hidden stainless steel torsion spring no vibrating, no irritating sound very nice design, first quality with brass mirror chrome cylinder with each 2 nickel keys, key alike (code S008) keys can be taken out in closed & open position for closing the key is always necessary base high 23mm, widthness 34mm maximum load 120 Kg (1200 N), travel length 4mm with 4 screwholes  $\varnothing$ 3,5mm with flat keeper plate with 2 screwholes  $\varnothing$ 3,2mm in boxes of 6 Pcs. (delivery on request)



**PIMEX B.V.**  
Coenecoop 131  
2741 PJ WADDINXVEEN (NL)  
Tel. (31) 182 - 61 11 66  
Email: info@pimex.nl



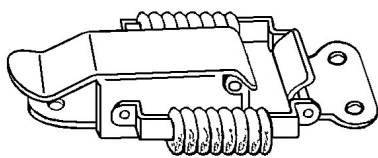
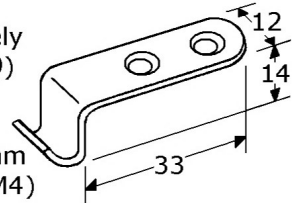
**522222**



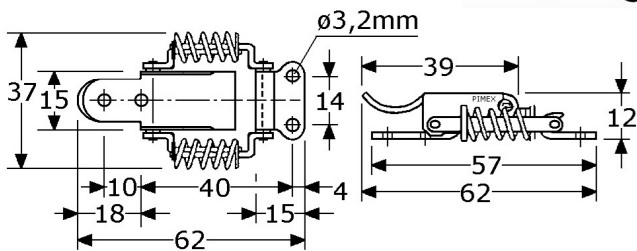
draw latch, house 41mm, total length 61mm  
stainless steel 304/A2, with pulling pin  $\varnothing 2,3$ mm  
base high 13mm, without padlock eye  
max. widthness 23mm, handle widthness 16mm  
maximum load 150 Kg (1500N), travel length 9mm  
not adjustable, with 2 screwholes  $\varnothing 4,0$ mm  
with flat keeper plate with 2 screwholes  $\varnothing 3,2$ mm  
in boxes of 50 Pcs.

standard 522222 will be delivered with flat keeper

extra you can order separately  
a hook keeper plate (522289)  
stainless steel 316/A4  
high 14mm, width 12mm  
plate 1,5mm, length 33/43mm  
2 countersunk holes (M3/M4)



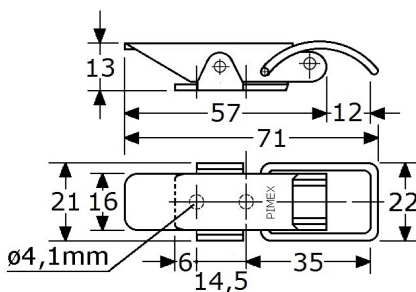
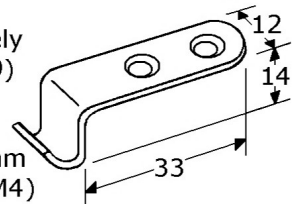
**522224**



draw latch, house 41mm, total length 62mm  
stainless steel 304/A2  
spring loaded: with 2 stainless steel springs  
no vibrating, no irritating sound  
base high 12mm, without padlock eye  
max. widthness 37mm, handle widthness 15mm  
maximum load 150 Kg (1500N), travel length 14mm  
not adjustable, with 2 screwholes  $\varnothing 3,2$ mm  
with flat keeper plate with 2 screwholes  $\varnothing 3,2$ mm  
in boxes of 50 Pcs.

standard 522224 will be delivered with flat keeper

extra you can order separately  
a hook keeper plate (522289)  
stainless steel 316/A4  
high 14mm, width 12mm  
plate 1,5mm, length 33/43mm  
2 countersunk holes (M3/M4)

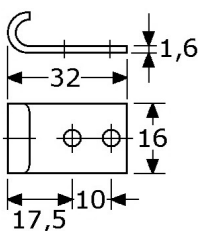


**524337**



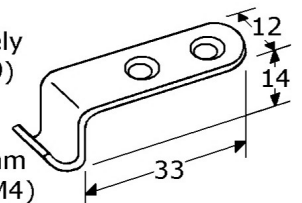
draw latch, house 57mm, total length 71mm  
stainless steel 316/A4, with pulling pin  $\varnothing 2$ mm  
base high 13mm, without padlock eye  
max. widthness 22mm, handle widthness 16mm  
max. load 65 Kg (650 N), traveling length 22mm  
not adjustable, with possibility for sealing  
with 2 screwholes  $\varnothing 4,1$ mm c.t.c. 14,5mm  
without keeper plate  
in boxes of 50 Pcs.

**524338**

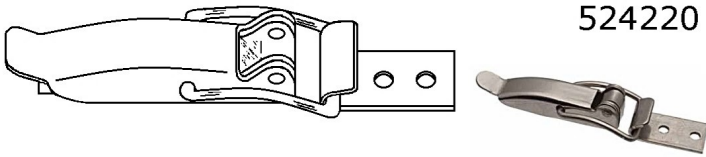


flat keeper plate, length 32x1,6mm  
stainless steel 316/A4, widthness 16mm  
with 2 screwholes  $\varnothing 4,1$ mm c.t.c. 10mm  
in boxes of 50 Pcs.

extra you can order separately  
a hook keeper plate (522289)  
stainless steel 316/A4  
high 14mm, width 12mm  
plate 1,5mm, length 33/43mm  
2 countersunk holes (M3/M4)



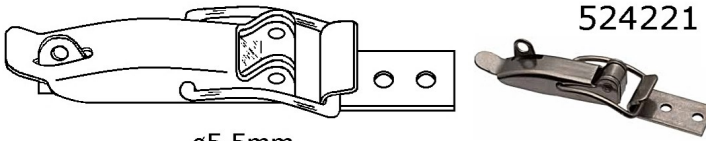
**PIMEX B.V.**  
Coenecoop 131  
2741 PJ WADDINXVEEN (NL)  
Tel. (31) 182 - 61 11 66  
Email: info@pimex.nl



**524220**

draw latch, house 73mm, total length 115mm stainless steel 304/A2, with pulling pin  $\varnothing 3\text{mm}$  base high 18mm, without padlock eye max. widthness 28mm, handle widthness 16mm maximum load 250 Kg (2500N), travel length 44mm not adjustable, with 2 screwholes  $\varnothing 4,2\text{mm}$  with flat keeper plate with 2 screwholes  $\varnothing 4,2\text{mm}$  in boxes of 50 Pcs.

standard 524220 will be delivered with flat keeper

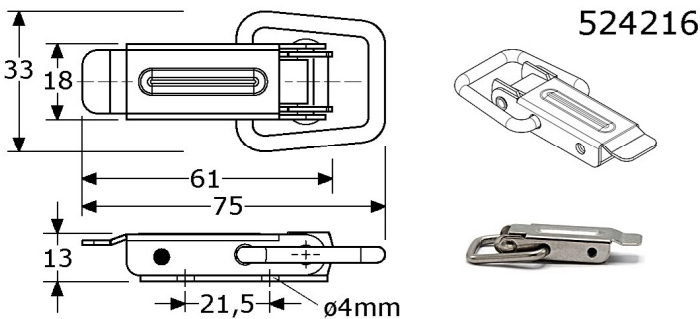
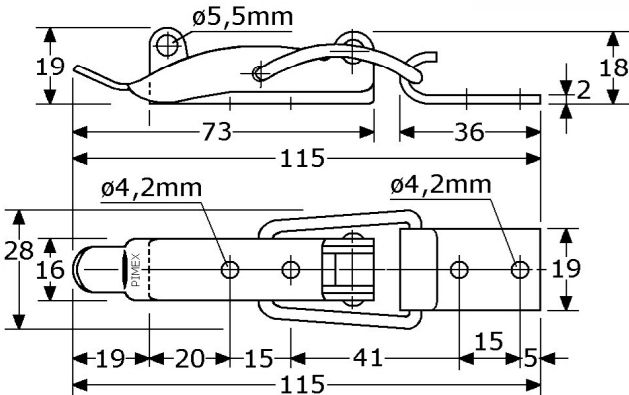
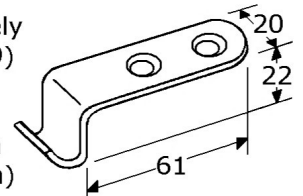


**524221**

draw latch, house 73mm, total length 115mm stainless steel 304/A2, with pulling pin  $\varnothing 3\text{mm}$  with stainless steel padlock eye  $\varnothing 5,5\text{mm}$  base high 18mm, total high 19mm max. widthness 28mm, handle widthness 16mm maximum load 250 Kg (2500N), travel length 44mm not adjustable, with 2 screwholes  $\varnothing 4,2\text{mm}$  with flat keeper plate with 2 screwholes  $\varnothing 4,2\text{mm}$  in boxes of 50 Pcs.

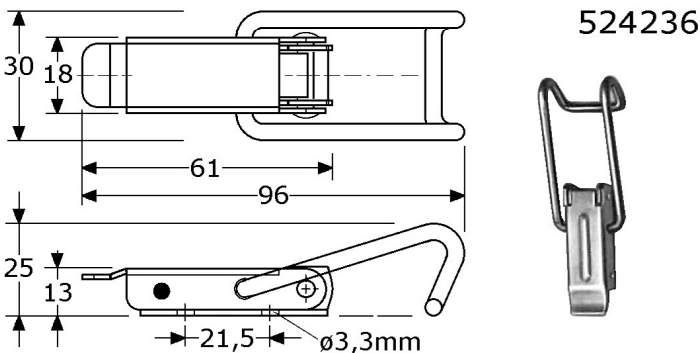
standard 524221 will be delivered with flat keeper

extra you can order separately a hook keeper plate (524289) stainless steel 316/A4 high 22mm, width 20mm plate 2mm, length 61/76mm 2 countersunk holes (5mm)



**524216**

draw latch, house 61mm, total length 75mm stainless steel 304/A2, with possibility for sealing not adjustable, with pulling pin  $\varnothing 4\text{mm}$  base high 13mm, without padlock eye max. widthness 33mm, handle widthness 18mm maximum load 200 Kg (2000N), travel length 30mm with 2 screwholes  $\varnothing 4\text{mm}$  c.t.c. 21,5mm without keeper plate in boxes of 50 Pcs. (delivery on request) (flat keeper plate 524283 to be ordered separately) (hook keeper plate 524289 to be ordered separately)



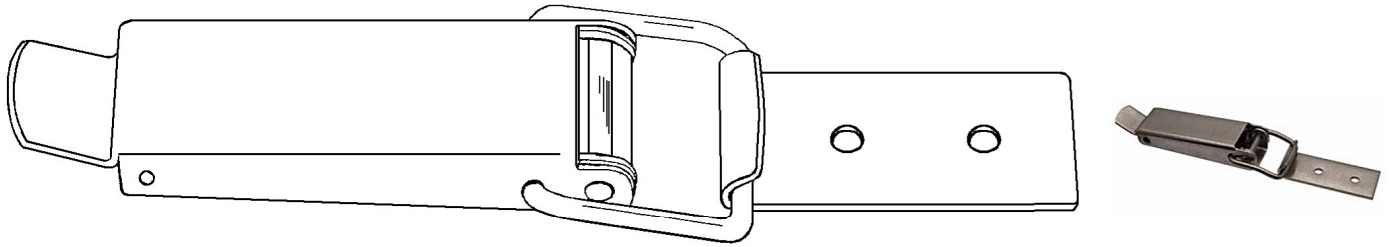
**524236**

draw latch, house 61mm, total length 96mm stainless steel 304/A2, with possibility for sealing not adjustable, with curved pulling pin  $\varnothing 4\text{mm}$  base high 13/25mm, without padlock eye max. widthness 30mm, handle widthness 18mm maximum load 200 Kg (2000N), travel length 30mm with 2 screwholes  $\varnothing 3,3\text{mm}$  c.t.c. 21,5mm without keeper plate in boxes of 50 Pcs. (delivery on request)

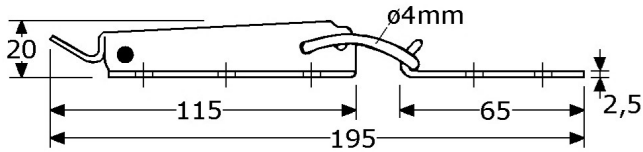


**PIMEX B.V.**  
Coenecoop 131  
2741 PJ WADDINXVEEN (NL)  
Tel. (31) 182 - 61 11 66  
Email: info@pimex.nl

**DRAW LATCHES, stainless steel**



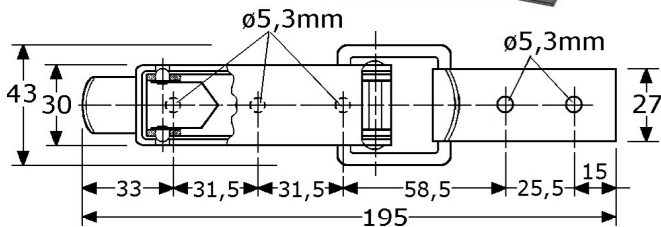
**525223**



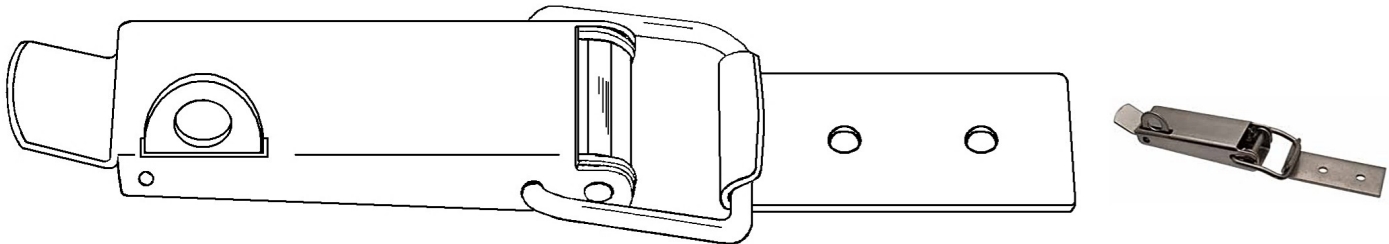
draw latch, house 115mm, total length 195mm  
 stainless steel 304/A2, with possibility for sealing  
 not adjustable, with pulling pin  $\varnothing 4\text{mm}$   
 base high 20mm, without padlock eye  
 max. widthness 43mm, handle widthness 30mm  
 maximum load 400 Kg (4000N), travel length 20mm  
 with 3 screwholes  $\varnothing 5,3\text{mm}$   
 with flat keeper plate with 2 screwholes  $\varnothing 5,3\text{mm}$   
 in boxes of 25 Pcs.  
 standard 525223 will be delivered with flat keeper



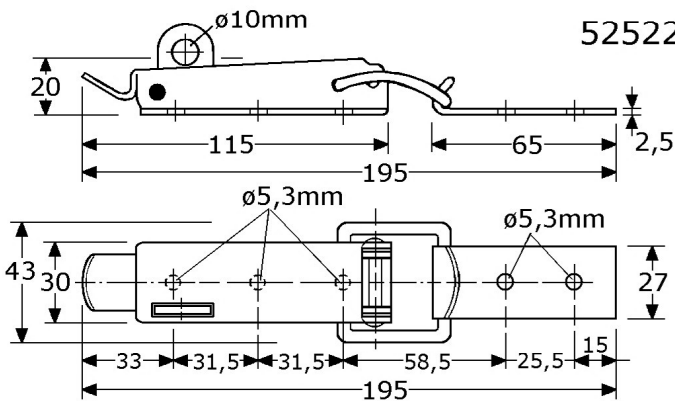
**525224**



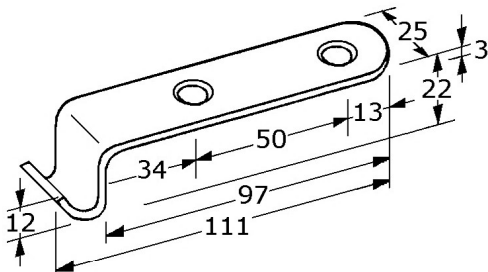
draw latch, house 115mm, total length 195mm  
 stainless steel 304/A2, with inside ball fixing  
 ### ball fixing: for not easy opening/release ###  
 not adjustable, with pulling pin  $\varnothing 4\text{mm}$   
 base high 20mm, without padlock eye  
 max. widthness 43mm, handle widthness 30mm  
 maximum load 400 Kg (4000N), travel length 20mm  
 with 3 screwholes  $\varnothing 5,3\text{mm}$   
 with flat keeper plate with 2 screwholes  $\varnothing 5,3\text{mm}$   
 in boxes of 25 Pcs.  
 standard 525224 will be delivered with flat keeper



**525225**



draw latch, house 115mm, total length 195mm  
 stainless steel 304/A2, with possibility for sealing  
 not adjustable, with pulling pin  $\varnothing 4\text{mm}$   
 with stainless steel padlock eye  $\varnothing 10\text{mm}$   
 ### against burglary ###  
 base high 20mm, maximum high 29mm  
 max. widthness 43mm, handle widthness 30mm  
 maximum load 400 Kg (4000N), travel length 20mm  
 with 3 screwholes  $\varnothing 5,3\text{mm}$   
 with flat keeper plate with 2 screwholes  $\varnothing 5,3\text{mm}$   
 in boxes of 25 Pcs.  
 standard 525225 will be delivered with flat keeper

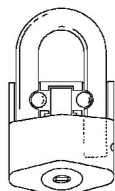


**525289**

hook keeper plate, high 22mm  
 stainless steel 316/A4  
 97/111x25x3mm  
 with 2 countersunk screwholes (for 5mm, M5/M6)  
 1th hole on 34mm  
 in boxes of 25 Pcs.

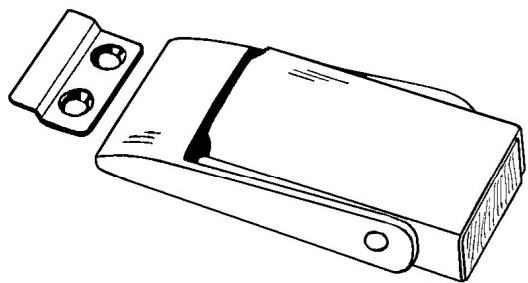


for padlocks out of stainless steel  
 see our page Y-689a  
 (for 525225 you can use 689251)



**PIMEX B.V.**  
 Coenecoop 131  
 2741 PJ WADDINXVEEN (NL)  
 Tel. (31) 182 - 61 11 66  
 Email: info@pimex.nl

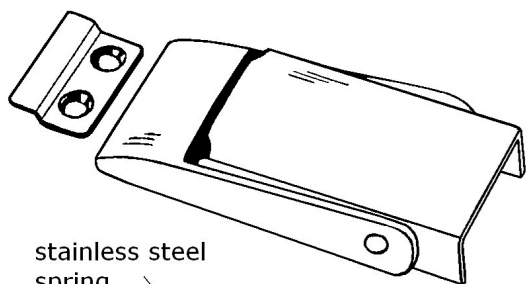
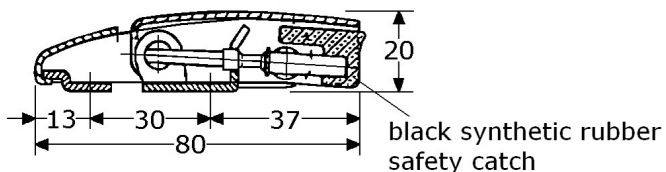




527224

design

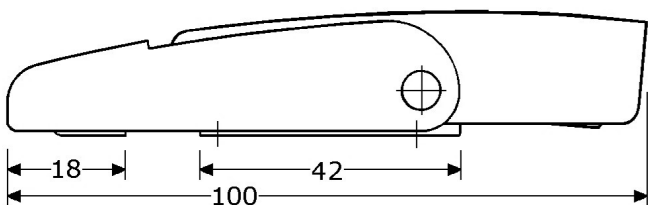
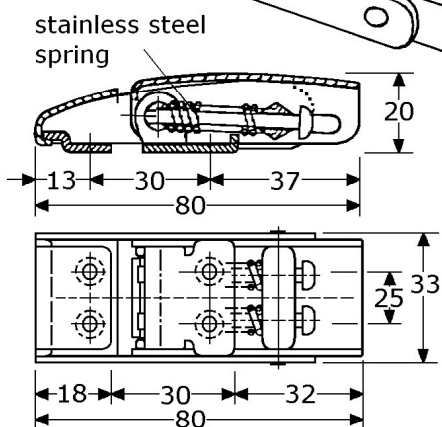
draw latch 80x33mm  
 stainless steel 304/1.4301 satin polished  
 not adjustable, unvisible mounting  
 very nice design, first quality  
 with black synthetic rubber safety catch  
 ### to prevent accidental opening/release ###  
 base high 20mm, widthness 33mm  
 maximum load 80 Kg (800 N), travel length 20mm  
 with 2 countersunk screwholes (4mm/M4)  
 with flat keeper plate with 2 screwholes (4mm/M4)  
 in boxes of 12 Pcs.



527226

design

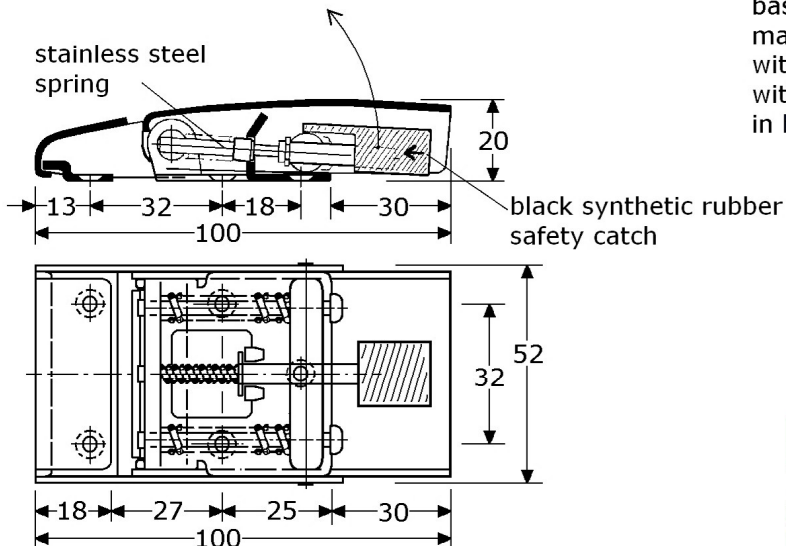
draw latch 80x33mm  
 stainless steel 304/1.4301 satin polished  
 not adjustable, unvisible mounting  
 spring loaded: with 2 hidden stainless steel springs  
 no vibrating, no irritating sound  
 very nice design, first quality  
 base high 20mm, widthness 33mm  
 maximum load 80 Kg (800 N), travel length 20mm  
 with 2 countersunk screwholes (4mm/M4)  
 with flat keeper plate with 2 screwholes (4mm/M4)  
 in boxes of 12 Pcs.



527228

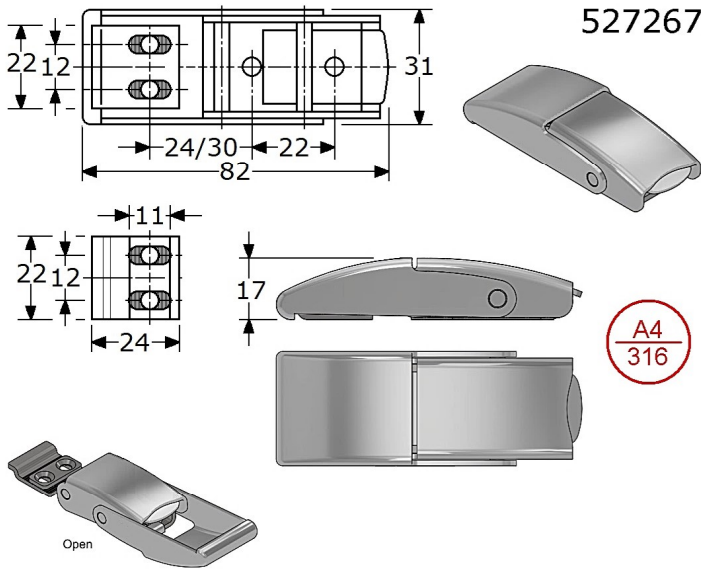
design

draw latch 100x52mm  
 stainless steel 304/1.4301 satin polished  
 not adjustable, unvisible mounting  
 spring loaded: with 2 hidden stainless steel springs  
 no vibrating, no irritating sound  
 very nice design, first quality  
 with black synthetic rubber safety catch  
 ### to prevent accidental opening/release ###  
 base high 20mm, widthness 52mm  
 maximum load 100 Kg (1000N), travel length 20mm  
 with 3 countersunk screwholes (4mm/M4)  
 with flat keeper plate with 2 screwholes (4mm/M4)  
 in boxes of 6 Pcs.



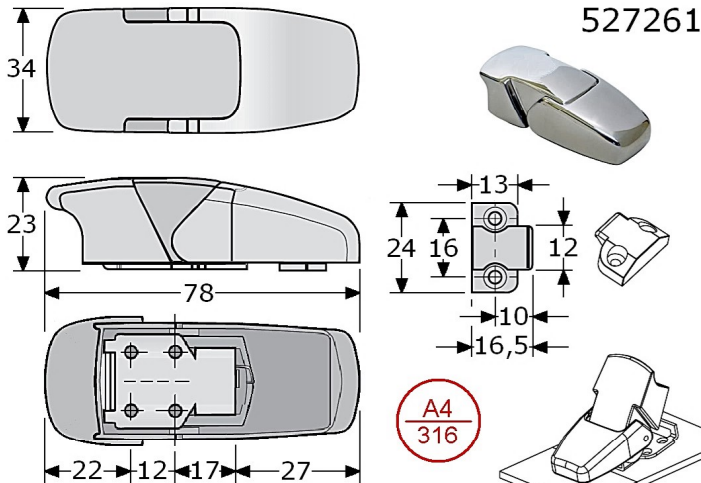
**PIMEX B.V.**  
 Coenecoop 131  
 2741 PJ WADDINXVEEN (NL)  
 Tel. (31) 182 - 61 11 66  
 Email: info@pimex.nl

**DRAW LATCHES, stainless steel**



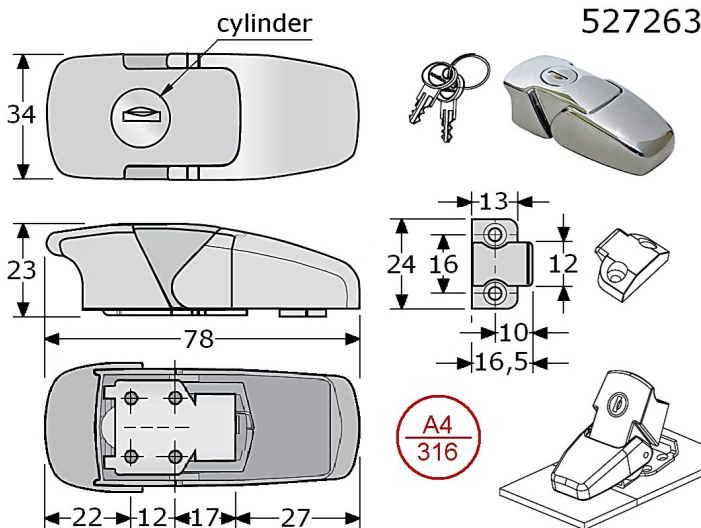
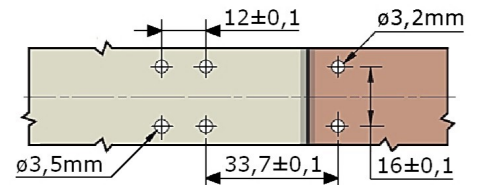
**527267**

draw latch 82x31mm  
 stainless steel 316/A4 mirror polished, casting  
 adjustable 6mm, unvisable mounting  
 very nice rounded design, first quality  
 with stainless steel 316/A4 safety catch  
 push catch to open; catch with stainless steel spring  
 ### to prevent accidental opening/release ###  
 base high 17mm, widthness 31mm  
 maximum load 80 Kg (800N), travel length 40mm  
 base with 2 screwholes  $\varnothing 4,8$ mm c.t.c. 22mm  
 flat 6mm adjustable keeper plate with ribs (2-parts)  
 keeper plate w=22mm with 2 screwholes  $\varnothing 4,8$ mm  
 in boxes of 10 Pcs.



**527261**

draw latch 78x34mm  
 stainless steel 316/A4 mirror polished, casting  
 not adjustable, unvisable mounting  
 with 2x hidden stainless steel spring  
 no vibrating, no irritating sound  
 very nice design, first quality  
 base high 23mm, widthness 34mm  
 maximum load 120 Kg (1200 N), travel length 4mm  
 base with 4 screwholes  $\varnothing 3,5$ mm  
 with flat keeper plate with 2 screwholes  $\varnothing 3,2$ mm  
 in boxes of 6 Pcs.



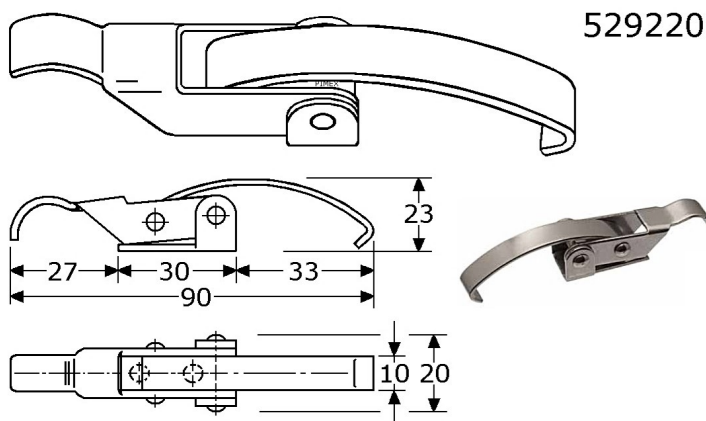
**527263**

draw latch 78x34mm  
 stainless steel 316/A4 mirror polished, casting  
 not adjustable, unvisable mounting  
 with 2x hidden stainless steel spring  
 no vibrating, no irritating sound  
 very nice design, first quality  
 with brass mirror chrome cylinder  
 with each 2 nickel keys, key alike (code S008)  
 keys can be taken out in closed & open position  
 for closing the key is always necessary  
 base high 23mm, widthness 34mm  
 maximum load 120 Kg (1200 N), travel length 4mm  
 base with 4 screwholes  $\varnothing 3,5$ mm  
 with flat keeper plate with 2 screwholes  $\varnothing 3,2$ mm  
 in boxes of 6 Pcs. (delivery on request)



**PIMEX B.V.**  
 Coenecoop 131  
 2741 PJ WADDINXVEEN (NL)  
 Tel. (31) 182 - 61 11 66  
 Email: info@pimex.nl





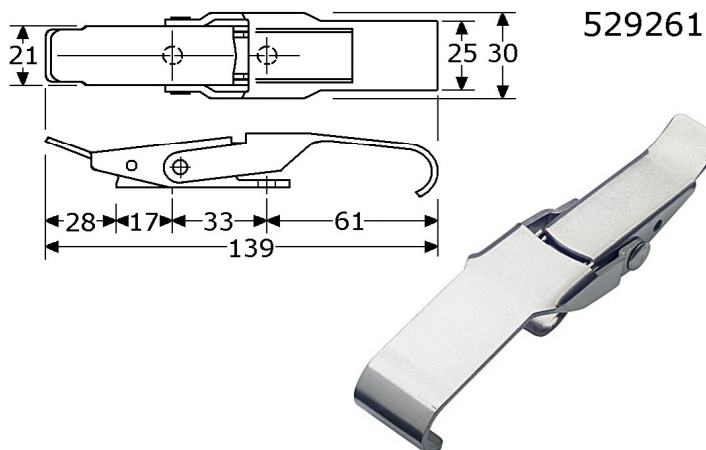
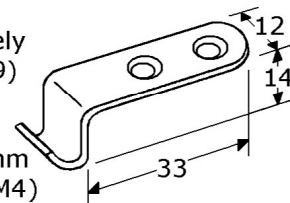
**529220**

draw latch 90mm  
 stainless steel, not adjustable  
 with curved spring claw, widthness claw 10mm  
 base high 18mm, without padlock eye  
 base widthness 20mm, handle widthness 13mm  
 maximum load 90 Kg (900 N), travel length 18mm  
 with 2 screwholes ø5mm, without keeper plate  
 in boxes of 50 Pcs.

extra you can order separately  
 a flat keeper plate (524283)  
 stainless steel 304/A2, 36x19x2mm  
 with 2 screwholes ø4,1mm



extra you can order separately  
 a hook keeper plate (522289)  
 stainless steel 316/A4  
 high 14mm, width 12mm  
 plate 1,5mm, length 33/43mm  
 2 countersunk holes (M3/M4)



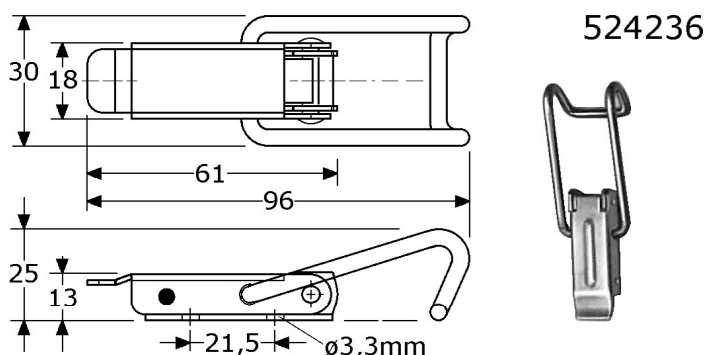
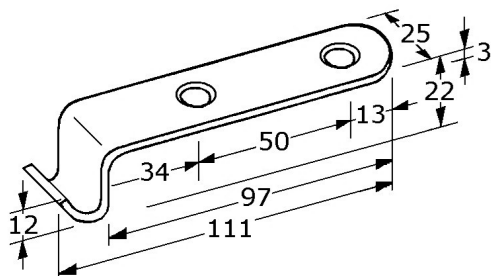
**529261**

draw latch 139mm  
 stainless steel 304/A2, with possibility for sealing  
 with curved claw (claw is not a spring claw)  
 widthness claw 25mm, not adjustable  
 ### special for mounting behind a profile/border ###  
 base high 22mm, without padlock eye  
 base widthness 30mm, handle widthness 21mm  
 maximum load 250 Kg (2500N), travel length 28mm  
 on narrow pressed groundplate 59x16,5x1,5mm  
 with 2 screwholes ø5mm, without keeper plate  
 in boxes of 10 Pcs.

extra you can order separately  
 a flat keeper plate (525283)  
 stainless steel 304/A2, 65x27x2,5mm  
 with 2 screwholes ø5,3mm



hook keeper plate, high 22mm  
 stainless steel 316/A4  
 97/111x25x3mm  
 with 2 countersunk screwholes (for 5mm, M5/M6)  
 in boxes of 25 Pcs.



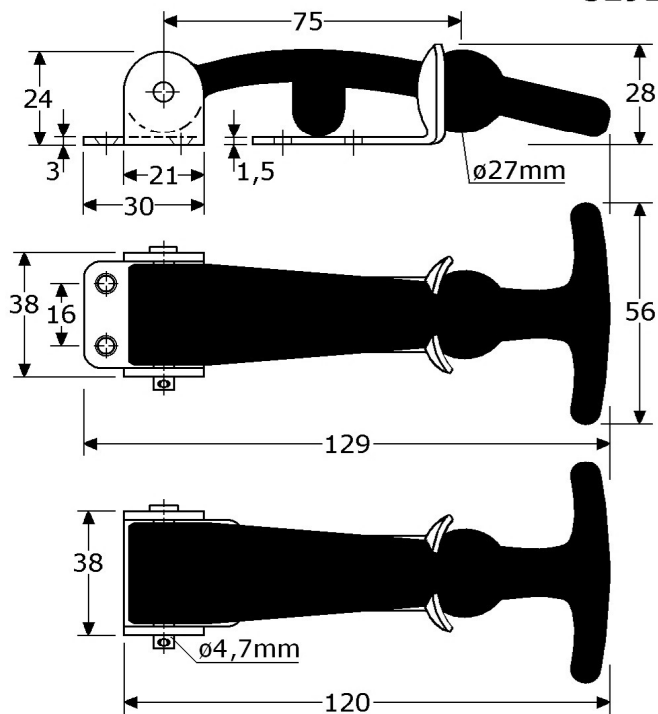
**524236**

draw latch, house 61mm, total length 96mm  
 stainless steel 304/A2, with possibility for sealing  
 not adjustable, with curved pulling pin ø4mm  
 base high 13/25mm, without padlock eye  
 max. widthness 30mm, handle widthness 18mm  
 maximum load 200 Kg (2000N), travel length 30mm  
 with 2 screwholes ø3,3mm c.t.c. 21,5mm  
 without keeper plate  
 in boxes of 50 Pcs. (delivery on request)



**PIMEX B.V.**  
 Coenecoop 131  
 2741 PJ WADDINXVEEN (NL)  
 Tel. (31) 182 - 61 11 66  
 Email: info@pimex.nl

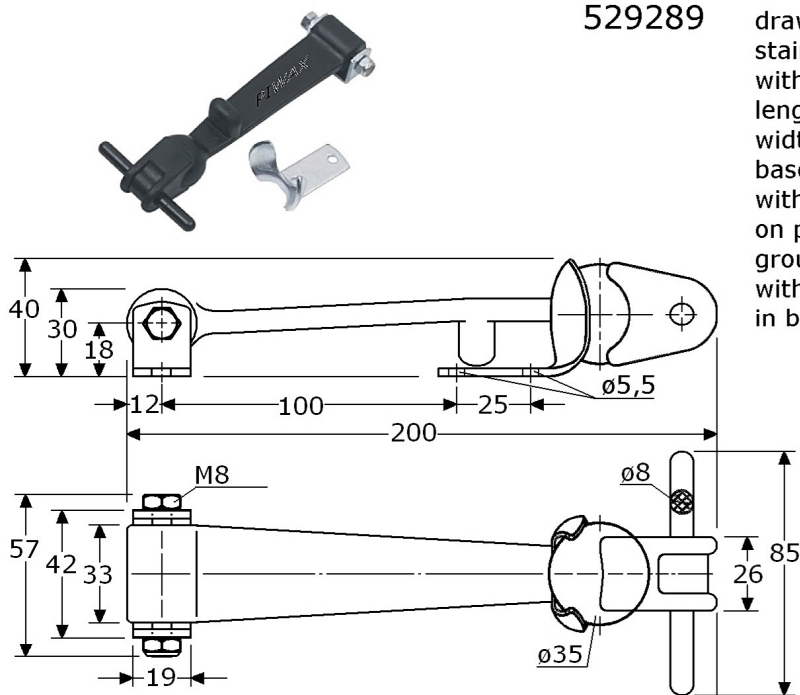
**529288**



draw latch 129mm, flexible stainless steel 304/A2 with black EPDM rubber "T"-handle length T-handle 120mm, widthness T-handle 56mm base high 24mm with ball  $\varnothing 27$ mm base widthness 38mm, total high 28mm with lose SS-304 split pin, revisible on pressed groundplate 30x38x3mm with 3 countersunked screwholes (4mm/M4) with keeper plate with 2 screwholes  $\varnothing 4,5$ mm in boxes of 10 Pcs.



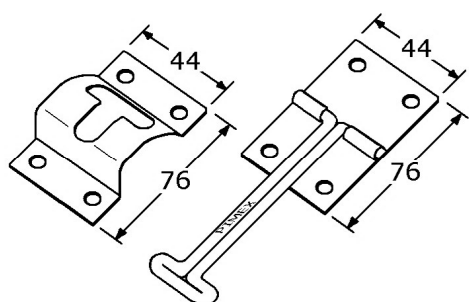
**529289**



draw latch 206mm, flexible stainless steel 304/A2 with black EPDM rubber "T"-handle length T-handle 200mm, total length 206mm widthness T-handle 85mm with ball  $\varnothing 35$ mm base widthness 42mm, total high 40mm with stainless steel bolt M8x50 & nut, reversible on pressed groundplate, thickness 3mm groundplate with 1x hole  $\varnothing 8,5$ mm with keeper plate with 2 screwholes  $\varnothing 5,5$ mm in boxes of 10 Pcs.



**555288**



door holder with long wire arm 101mm stainless steel 304/A2 for mounting on side wall of a truck plate 76x44mm with 4 screwholes  $\varnothing 5$ mm with fixing plate 76x44mm with 4 screwholes  $\varnothing 5$ mm in boxes of 20 Pcs.



**PIMEX B.V.**  
Coenecoop 131  
2741 PJ WADDINXVEEN (NL)  
Tel. (31) 182 - 61 11 66  
Email: info@pimex.nl