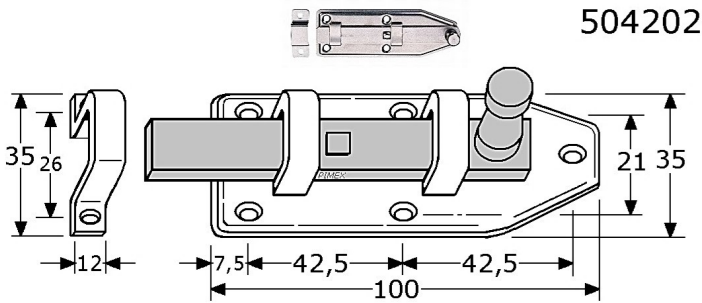


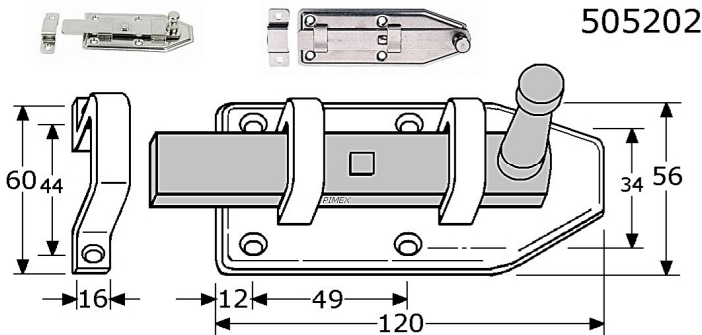
503232 sliding bolt 50x37mm
 stainless steel 304/A2 satin polished
 U-bolt 15x8mm out of 1,5mm stainless steel
 *** strong & compact ***
 extension 16mm (to both sides)
 house high 13mm, high with knob 27mm
 with 4 countersunk screwholes (3,5mm/M3)
 with stainless steel loop & striking plate
 in boxes of 20 Pcs. with stainless steel screws



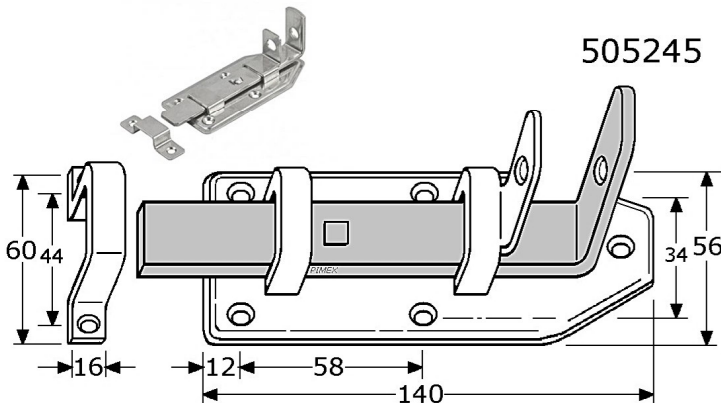
504202 sliding bolt 100x35x1mm, straight
 stainless steel 304/A2
 with stainless steel bolt 12x3mm
 *** profitable model ***
 extension 29mm (to 1 side), high below bolt 4mm
 with strengthen groundplate 1mm
 house high 8mm, total high with knob 22mm
 with 5 countersunk screwholes (3,5mm/M3/M4)
 with stainless steel loop 12x35x1,5mm
 in boxes of 10 Pcs., 100 Pcs. and 1000 Pcs.



504219 striking plate 18x52x1,75mm
 stainless steel 304/A2
 with hole 24x7mm, for bolt 504202 & 505202
 with 2 countersunk screwholes (3,5mm/M3)
 in boxes of 10 Pcs. and 100 Pcs.

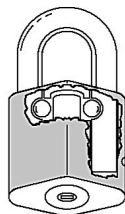


505202 sliding bolt 120x56x1,75mm, straight
 stainless steel 304/A2
 with stainless steel bolt 20x4mm
 *** profitable model ***
 extension 24mm (to 1 side), high below bolt 5mm
 with strengthen groundplate 1,75mm
 house high 11mm, total high with knob 30mm
 with 4 countersunk screwholes (4,5mm/5mm/M5)
 with stainless steel loop 16x60x1,75mm
 in boxes of 10 Pcs., 100 Pcs. and 1000 Pcs.

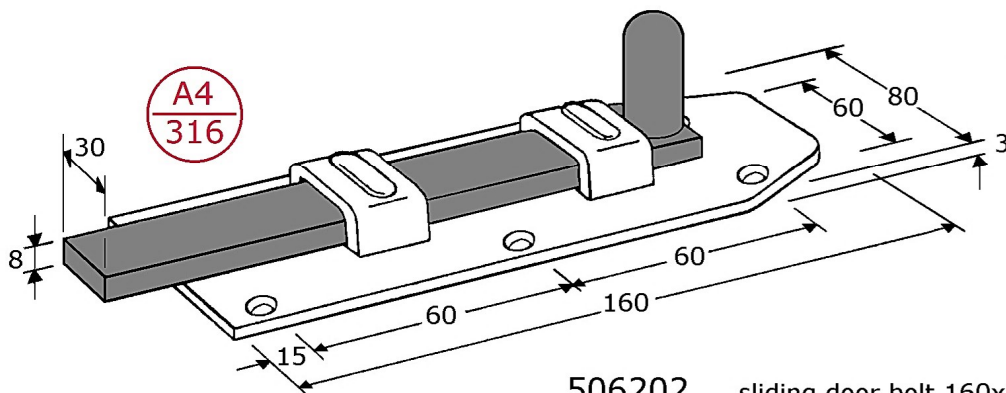


505245 sliding bolt 140x56x1,75mm, straight
 stainless steel 304/A2
 with stainless steel bolt 20x4mm
 with padlock eye \varnothing 9mm
 extension 45mm (to 1 side), high below bolt 5mm
 with strengthen groundplate 1,75mm
 house high 11mm, total high 45mm
 with 4 countersunk screwholes (4,5mm/5mm/M5)
 with stainless steel loop 16x60mm
 in boxes of 10 Pcs. (without padlock)

for padlocks out of stainless steel
 see our page GY-689a & GY-689b
 (for 505245 you can use 689251)



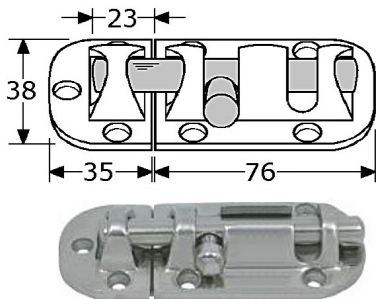
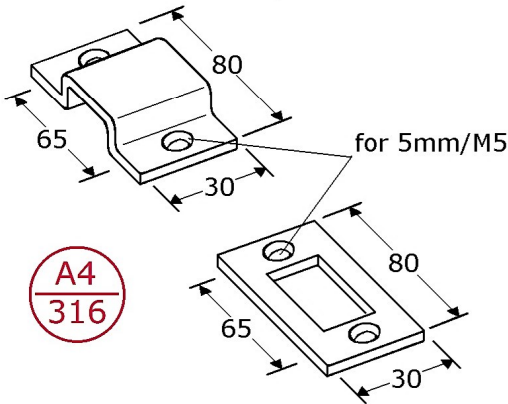
PIMEX B.V.
 Coenecoop 131
 2741 PJ WADDINXVEEN (NL)
 Tel. (31) 182 - 61 11 66
 Email: info@pimex.nl



HEAVY DUTY
!!!!!!

506202

sliding door bolt 160x80x3mm, straight stainless steel 316/A4 electrolytic polished with heavy duty stainless steel 316/A4 bolt 30x8mm with stainless steel roller bearing extension 25mm (to 1 side) groundplate 160x80x3mm, high below bolt 6mm house high 19mm, total high with knob 53mm with 6 countersunk screwholes (5,5mm/M5/M6) with stainless steel 316/A4 loop 80x30x3mm with stainless steel 316/A4 striking plate 80x30mm in boxes of 10 Pcs.

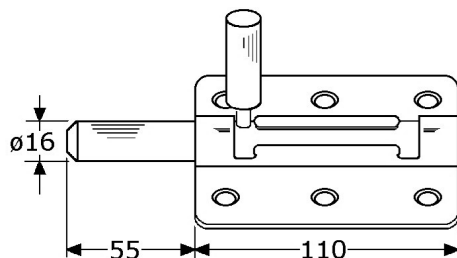


512276

barrel bolt 76x38mm stainless steel 316/A4 polished solid casting, fine finish, without spring stainless steel bolt $\varnothing 9,5$ mm with screwed knob extension 23mm (to 1 side) groundplate high 3,5mm, total high 16,5mm with 4+3 countersunk screwholes (3,5mm) with loop stainless steel 316/A4 polished in boxes of 10 Pcs.

A4
316

514206

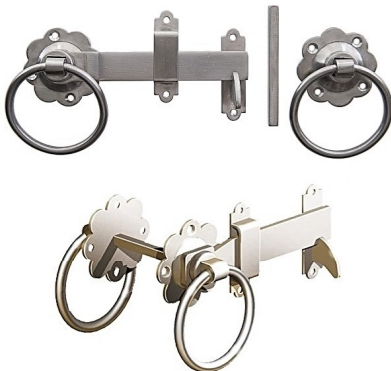


A4
316



pin bolt 110x60x2mm stainless steel 316/A4 unpolished with heavy duty stainless steel 316/A4 bolt $\varnothing 16$ mm extension 55mm (to both sides) groundplate 110x60x2mm, high below bolt 8mm house high 26mm, total high with pin 85mm with long pin stainless steel 316/A4 $\varnothing 12$ mm with 6 countersunk screwholes (5mm/6mm/M6) in boxes of 10 Pcs.

546224



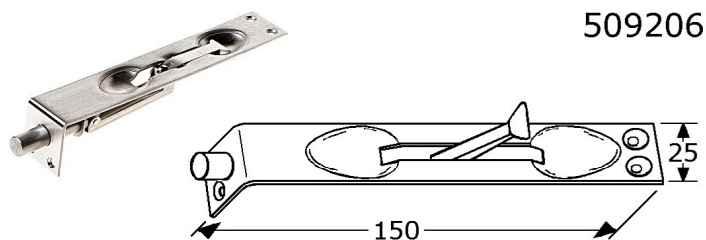
A4
316

ring handle gate latch set (for use from 2 sides) stainless steel 316/A4 satin polished bolt stainless steel 316/A4 35x5mm, length 152mm with 2x ring stainless steel 316/A4 $\varnothing 84$ x6mm on roses $\varnothing 67$ mm with 4x holes (4,5mm) with loose square stainless steel 316/A4 #8x100mm for maximum door of 72mm striking hook stainless steel 316/A4 with 2 holes in boxes of 5 Pcs.



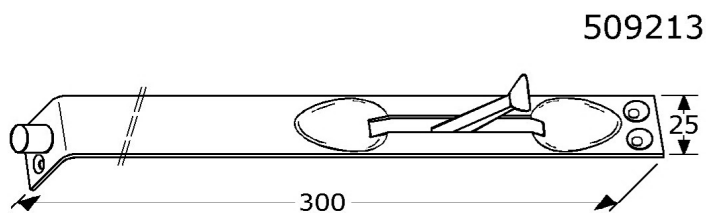
PIMEX B.V.
Coenecoop 131
2741 PJ WADDINXVEEN (NL)
Tel. (31) 182 - 61 11 66
Email: info@pimex.nl

FLUSH DOOR BOLTS, stainless steel



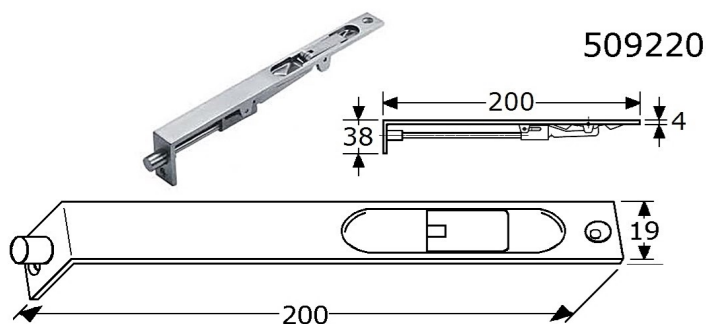
509206

flush door bolt 150x25mm
 stainless steel 304/A2 satin polished
 stainless steel bolt \varnothing 10mm, extension 14mm
 handle brass satin chrome, bore depth 2/24mm
 front 33mm (with 2 screwholes), steel back plate
 with 2+2 countersunk screwholes (3,5mm)
 with stainless steel striking plate 22x42x1,8mm
 in boxes of 10 Pcs.



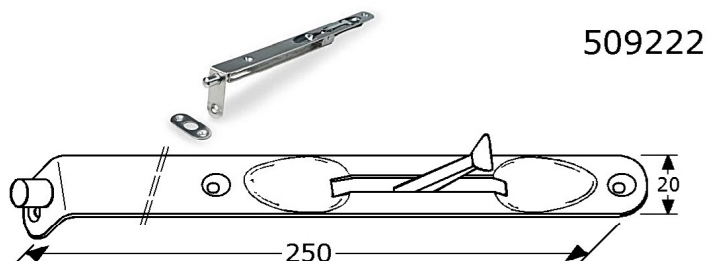
509213

flush door bolt 300x25mm
 stainless steel 304/A2 satin polished
 stainless steel bolt \varnothing 10mm, extension 14mm
 handle brass satin chrome, bore depth 2/24mm
 front 37mm (with 2 screwholes), steel back plate
 with 2+2 countersunk screwholes (3,5mm)
 with stainless steel striking plate 22x42x1,8mm
 in boxes of 10 Pcs.



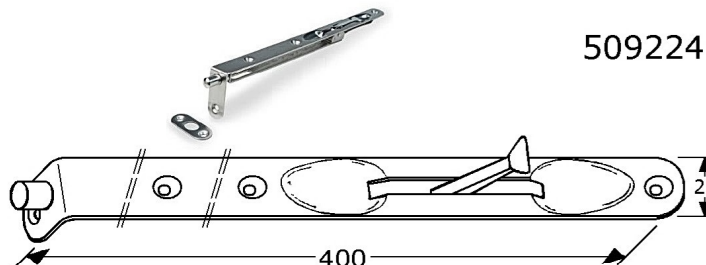
509220

flush door bolt 200x19mm
 casting, stainless steel 304/A2 mirror polished
 strong type out of 4mm material, 1th quality
 stainless steel bolt \varnothing 11mm, extension 14mm
 lever handle full stainless steel
 back side full stainless steel
 front 38mm (with 1 screwhole), bore depth 4/25mm
 with 1+1 countersunk screwholes (4mm/M4)
 with stainless steel striking plate 22x42x1,8mm
 in boxes of 10 Pcs.



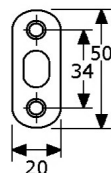
509222

flush door bolt 250x20mm
 stainless steel 304/A2 satin polished
 stainless steel bolt \varnothing 10mm, extension 17mm
 only the handle is brass satin chrome
 front 50mm (with 1 screwhole), bore depth 2/20mm
 with 1+2 countersunk screwholes (4mm/M4)
 with rounded stainless steel striking plate 20x50mm
 in boxes of 10 Pcs.



509224

flush door bolt 400x20mm
 stainless steel 304/A2 satin polished
 stainless steel bolt \varnothing 10mm, extension 17mm
 only the handle is brass satin chrome
 front 50mm (with 1 screwhole), bore depth 2/20mm
 with 1+3 countersunk screwholes (4mm/M4)
 with rounded stainless steel striking plate 20x50mm
 in boxes of 10 Pcs.

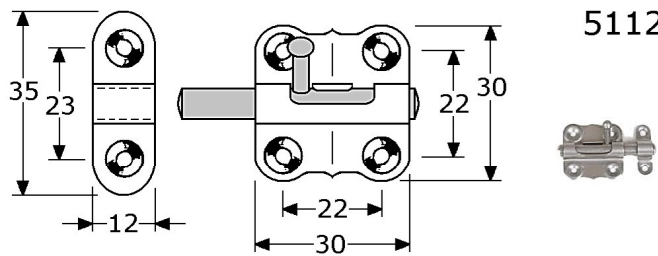


rounded striking plate of
 509222 and 509224

for spring slide latches 90x55mm
 in stainless steel 316/A4,
 see page GY-542a

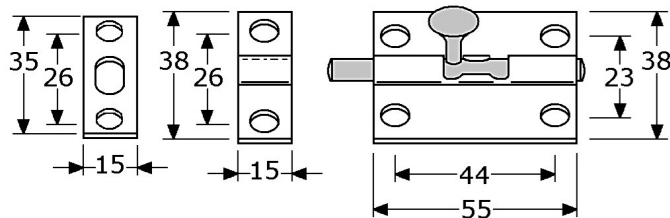


PIMEX B.V.
 Coenecoop 131
 2741 PJ WADDINXVEEN (NL)
 Tel. (31) 182 - 61 11 66
 Email: info@pimex.nl



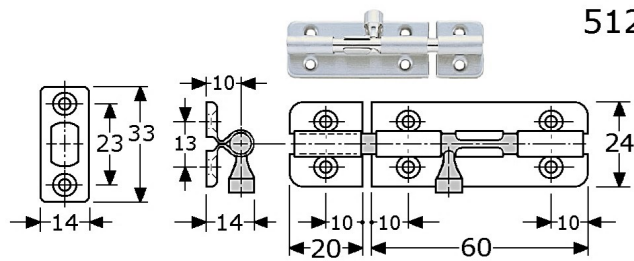
511200

barrel bolt 30x30mm
 stainless steel 304/A2
 with stainless steel bolt \varnothing 6mm, high below bolt 4mm
 *** simple & profitable model ***
 extension 15mm (to both sides)
 groundplate 1mm, total high 12mm
 with 4 countersunk screwholes (3mm/M3)
 with stainless steel loop 12x35mm
 in boxes of 20 Pcs.



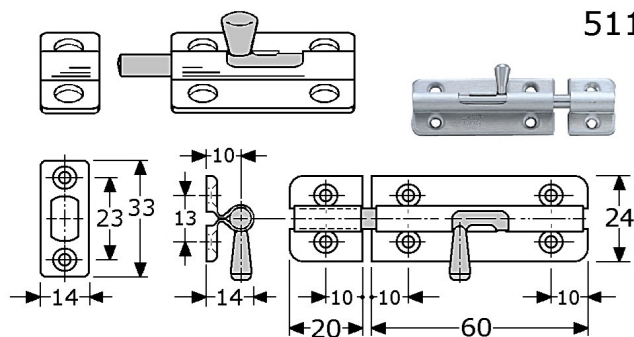
512202

barrel bolt 55x38mm
 stainless steel 304/A2
 stainless steel bolt \varnothing 7mm, high below bolt 3mm
 *** profitable model ***
 extension 12mm (to both sides)
 groundplate high 3mm, total high 13,5mm
 with 4 countersunk screwholes (3,5/M3)
 with stainless steel loop & striking plate
 in boxes of 24 Pcs. with stainless steel screws



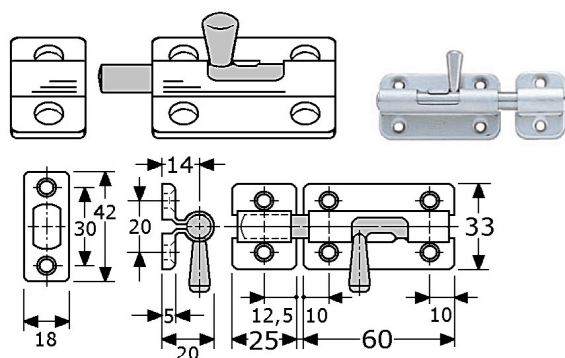
512203

barrel bolt 60x24mm
 stainless steel 304/A2 satin polished
 with brass nickle bolt \varnothing 6mm, high below bolt 7mm
 *** elegant & slim model ***
 extension 13mm (to 1 side)
 groundplate high 3mm, total high 14mm
 with 4 countersunk screwholes (3mm/M3)
 with stainless steel loop & striking plate
 in boxes of 30 Pcs. with stainless steel screws



511284

barrel bolt 60x24mm
 stainless steel 304/A2 satin polished
 stainless steel bolt \varnothing 6mm with stainless steel spring
 *** for horizontal and vertical use,
 stays always in the position that you wanted !
 and doesn't make noise ***
 extension 14mm (to 1 side), total high 14mm
 groundplate high 3mm, high below bolt 7mm
 with 4 countersunk screwholes (3mm/M3)
 with stainless steel loop & striking plate
 in boxes of 30 Pcs. with stainless steel screws



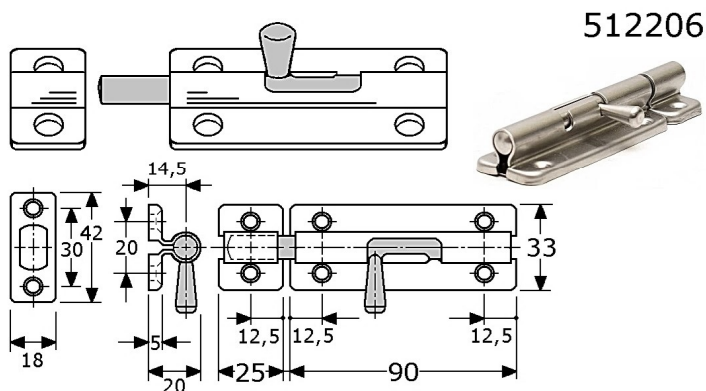
512204

barrel bolt 60x33mm
 stainless steel 304/A2 satin polished
 stainless steel bolt \varnothing 9mm with stainless steel spring
 *** for horizontal and vertical use,
 stays always in the position that you wanted !
 and doesn't make noise ***
 extension 17mm (to both sides), total high 20mm
 groundplate high 5mm, high below bolt 9,5mm
 with 4 countersunk screwholes (4mm/M4)
 with stainless steel loop & striking plate
 in boxes of 20 Pcs. with stainless steel screws



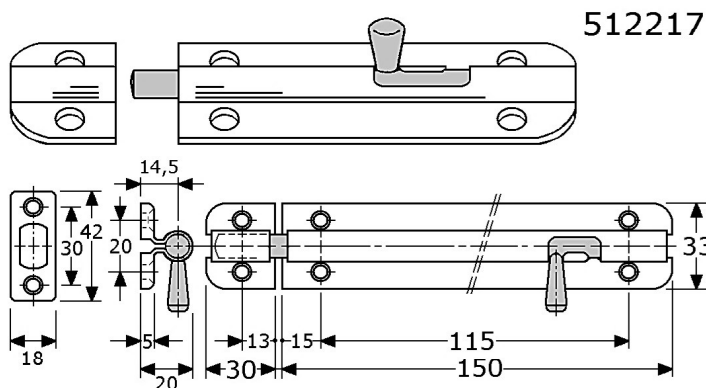
PIMEX B.V.
 Coenecoop 131
 2741 PJ WADDINXVEEN (NL)
 Tel. (31) 182 - 61 11 66
 Email: info@pimex.nl

BARREL BOLTS, stainless steel



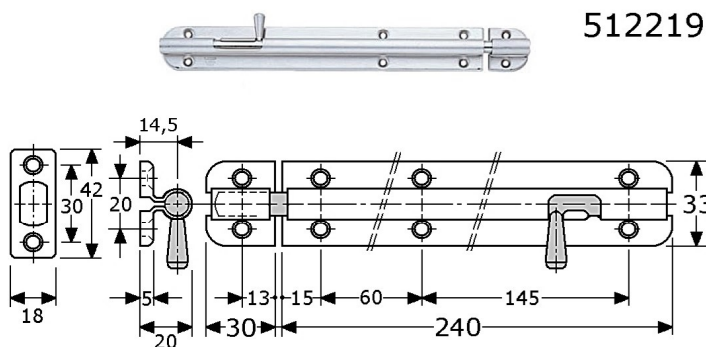
512206

barrel bolt 90x33mm
 stainless steel 304/A2 satin polished
 stainless steel bolt \varnothing 9mm with stainless steel spring
 *** for horizontal and vertical use,
 stays always in the position that you wanted !
 and doesn't make noise ***
 extension 24mm (to both sides)
 groundplate high 5mm, total high 20mm
 with 4 countersunk screwholes (4mm/M4)
 with stainless steel loop & striking plate
 in boxes of 15 Pcs. with stainless steel screws



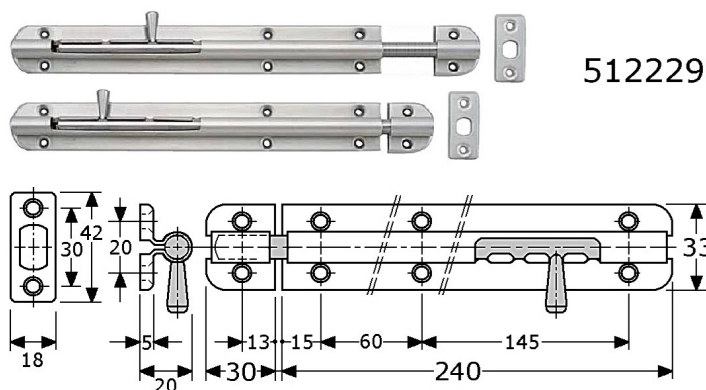
512217

barrel bolt 150x33mm
 stainless steel 304/A2 satin polished
 stainless steel bolt \varnothing 9mm with stainless steel spring
 *** for horizontal and vertical use,
 stays always in the position that you wanted !
 and doesn't make noise ***
 extension 24mm (to 1 side)
 groundplate high 5mm, total high 20mm
 with 4 countersunk screwholes (4mm/M4)
 with stainless steel loop & striking plate
 in boxes of 10 Pcs. with stainless steel screws



512219

barrel bolt 240x33mm
 stainless steel 304/A2 satin polished
 stainless steel bolt \varnothing 9mm with stainless steel spring
 *** for horizontal and vertical use,
 stays always in the position that you wanted !
 and doesn't make noise ***
 extension 24mm (to 1 side)
 groundplate high 5mm, total high 20mm
 with 6 countersunk screwholes (4mm/M4)
 with stainless steel loop & striking plate
 in boxes of 10 Pcs. with stainless steel screws



512229

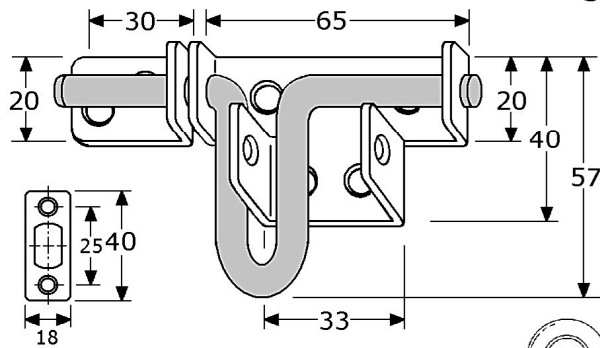
barrel bolt 240x33mm with long extension
 stainless steel 304/A2 satin polished
 stainless steel bolt \varnothing 9mm with stainless steel spring
 *** for horizontal and vertical use,
 stays always in the position that you wanted !
 and doesn't make noise ***
 extension 30/60/90mm (to 1 side)
 groundplate high 5mm, total high 20mm
 with 6 countersunk screwholes (4mm/M4)
 with stainless steel loop & striking plate
 in boxes of 10 Pcs. with stainless steel screws

for padlock bolts out of stainless steel,
 see page GY-512

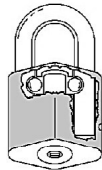


PIMEX B.V.
 Coenecoop 131
 2741 PJ WADDINXVEEN (NL)
 Tel. (31) 182 - 61 11 66
 Email: info@pimex.nl

513203



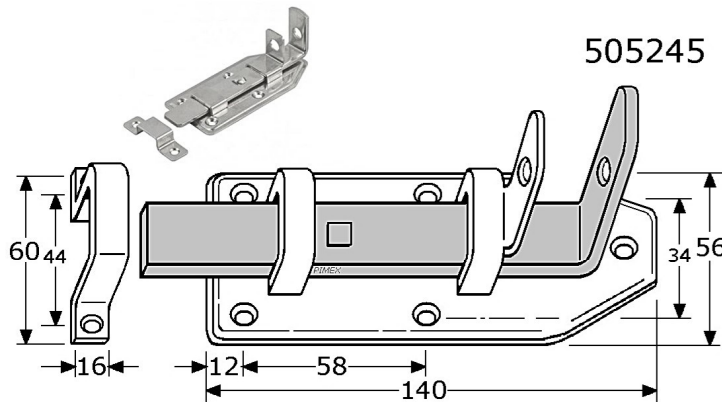
for padlocks out of stainless steel
see our page GY-689a
(for 513203 you can use 689251)



padlock bolt 65x40mm
stainless steel 304/A2
stainless steel bolt \varnothing 9mm, high below bolt 6mm
with 2 padlock eyes \varnothing 9mm
*** in open and closed situation you can
always fix the padlock ***
extension 15mm or 30mm (to both sides)
groundplate 2mm, total high 35mm
with 4 countersunked screwholes (5mm/6mm/M6)
with flat & angular stainless steel striking plate
in boxes of 10 Pcs. (without padlock)

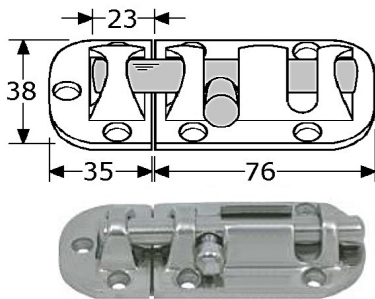


505245



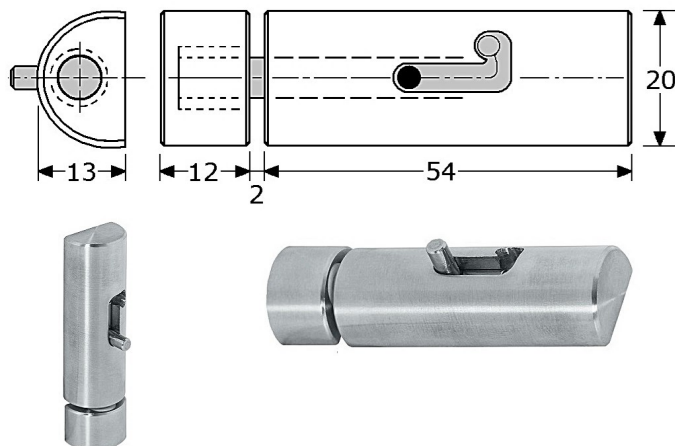
sliding bolt 140x56x1,75mm, straight
stainless steel 304/A2
with stainless steel bolt 20x4mm
with padlock eye \varnothing 9mm
extension 45mm (to 1 side), high below bolt 5mm
with strengthen groundplate 1,75mm
house high 11mm, total high 45mm
with 4 countersunked screwholes (4,5mm/5mm/M5)
with stainless steel loop 16x60mm
in boxes of 10 Pcs. (without padlock)

512276



barrel bolt 76x38mm
stainless steel 316/A4 polished
solid casting, fine finish, without spring
stainless steel bolt \varnothing 9,5mm with screwed knob
extension 23mm (to 1 side)
groundplate high 3,5mm, total high 16,5mm
with 4+3 countersunked screwholes (3,5mm)
with loop stainless steel 316/A4 polished
in boxes of 10 Pcs.

516253



spring slide latch 54x20mm
stainless steel 304/A2 satin polished
with stainless steel bolt \varnothing 6mm
with stainless steel spring
(can be blocked in open position)
*** very exclusive design, specially for glass ***
extension 12mm (to 1 side)
profil high 13mm, without screwholes
special for UV bonding
with nice stainless steel loop (inside nylon)
in boxes of 1 Pcs.



PIMEX B.V.
Coenecoop 131
2741 PJ WADDINXVEEN (NL)
Tel. (31) 182 - 61 11 66
Email: info@pimex.nl

514206 A4
316

pin bolt 110x60x2mm stainless steel 316/A4 unpolished with heavy duty stainless steel 316/A4 bolt \varnothing 16mm extension 55mm (to both sides) groundplate 110x60x2mm, high below bolt 8mm house high 26mm, total high with pin 85mm with long pin stainless steel 316/A4 \varnothing 12mm with 6 countersunked screwholes (5mm/6mm/M6) in boxes of 10 Pcs.

striking plates to be ordered separately

515205 A4
316

tail pin bolt, with long tail 500mm stainless steel 316/A4 unpolished with heavy duty stainless steel 316/A4 bolt \varnothing 16mm extension 55mm, with long pin \varnothing 12mm groundplate 110x60x2mm, high below bolt 8mm house high 26mm, total high with pin 85mm with 6 countersunked screwholes (5mm/6mm/M6) with long tail stainless steel 316/A4 \varnothing 10x500mm with rod guide stainless steel 40x35mm in boxes of 5 Pcs.

striking plates to be ordered separately

515207 A4
316

tail pin bolt, with long tail 750mm stainless steel 316/A4 unpolished with heavy duty stainless steel 316/A4 bolt \varnothing 16mm extension 55mm, with long pin \varnothing 12mm groundplate 110x60x2mm, high below bolt 8mm house high 26mm, total high with pin 85mm with 6 countersunked screwholes (5mm/6mm/M6) with long tail stainless steel 316/A4 \varnothing 10x750mm with rod guide stainless steel 40x35mm in boxes of 5 Pcs.

striking plates to be ordered separately

514207 A4
316

striking plate 30x60x2mm, flat stainless steel 316/A4, with rounded hole 27x18mm with 2 countersunked screwholes (5mm/6mm/M6) in boxes of 10 Pcs.

514208 A4
316

angular striking plate 60x28x34x3mm stainless steel 316/A4, with rounded hole 27x18mm with 2 countersunked screwholes (5mm/6mm/M6) in boxes of 10 Pcs.

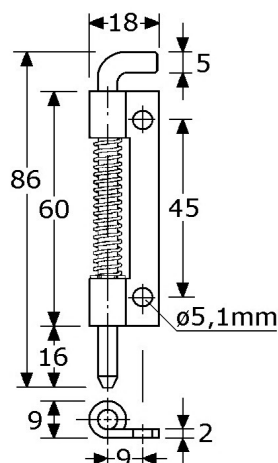
514209 A4
316

distance plate 30x60x2mm, flat stainless steel 316/A4, with rounded hole 27x18mm for mounting under angular striking plate 514208 with 2 round holes \varnothing 6mm c.t.c 40mm

L=500 of L=750

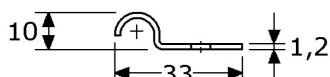


PIMEX B.V.
Coenecoop 131
2741 PJ WADDINXVEEN (NL)
Tel. (31) 182 - 61 11 66
Email: info@pimex.nl



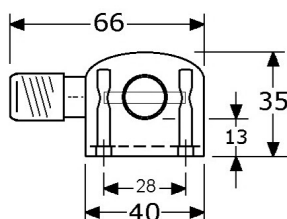
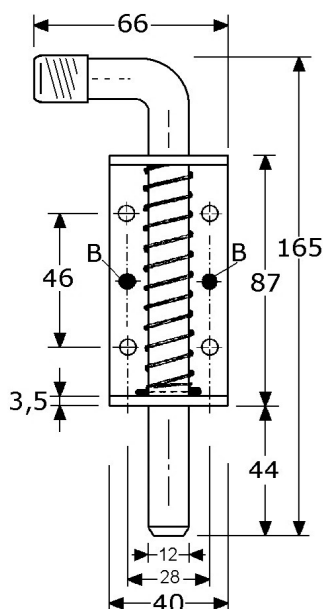
516222

spring latch with $\varnothing 5 \times 86$ mm stainless steel 304/A2 unpolished with stainless steel bolt $\varnothing 5 \times 86$ mm with stainless steel spring $\varnothing 1$ mm extension 16mm (cannot be blocked) groundplate 60x18x2mm knuckle $\varnothing 9$ mm, total high with knob 18mm with 2 screw holes $\varnothing 5,1$ mm (5mm/M5) (without striking plate) in boxes of 10 Pcs.



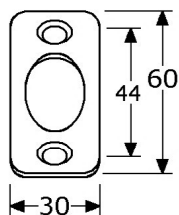
192208

loop with 1 side stainless steel 304/A2 33x20x1,2mm, for 516222 with 1 screw hole $\varnothing 5$ mm in boxes of 100 Pcs.



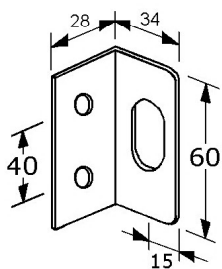
516233

spring latch with $\varnothing 5 \times 86$ mm stainless steel 304/A2 unpolished with stainless steel bolt $\varnothing 12 \times 165$ mm with stainless steel spring $\varnothing 1,5$ mm extension 42mm can open be blocked behind 2 pins (B) $\varnothing 6$ mm groundplate 87x40x3,5mm house high 35mm, total high with knob 69mm with 4 screw holes $\varnothing 6$ mm (5mm/6mm/M6) (without striking plate) in boxes of 10 Pcs.



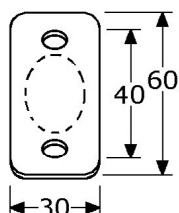
514207

striking plate 30x60x2mm, flat stainless steel 316/A4 with handy rounded hole 27x18mm with 2 countersunk holes (5mm/6mm/M6) in boxes of 10 Pcs.



514208

angular striking plate 60x28x34x3mm stainless steel 316/A4 with handy rounded hole 27x18mm with 2 countersunk holes (5mm/6mm/M6) in boxes of 10 Pcs.

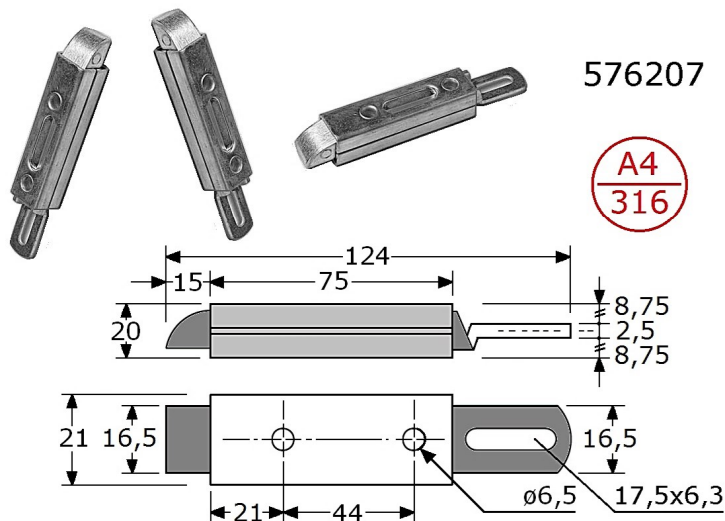


514209

distance plate 30x60x2mm, flat stainless steel 316/A4 for mounting under angular striking plate 514208 with 2 round holes $\varnothing 6$ mm c.t.c 40mm

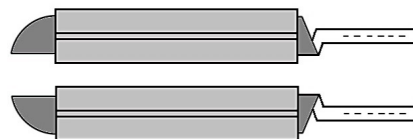


PIMEX B.V.
Coenecoop 131
2741 PJ WADDINXVEEN (NL)
Tel. (31) 182 - 61 11 66
Email: info@pimex.nl

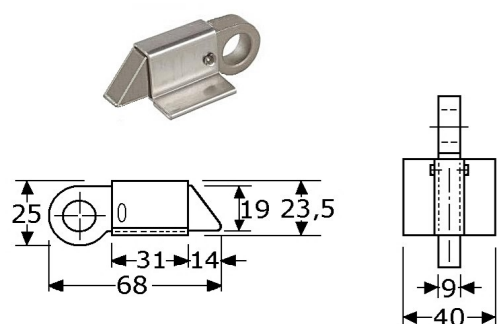


576207

transom latches
 stainless steel 316/A4 unpolished
 with latch bolt stainless steel 316/A4 16x16mm
 extension 15mm, with stainless steel spring
 total length 124mm, house length 75mm
 with central flat eye (thickness 2,5mm)
 central: universal for more situations
 flat eye with hole 17,5x6,3mm
 house highness 20mm, material house 2mm
 with 2x holes \varnothing 6,5mm, hole distance 44mm
 in boxes of 10 Pcs.

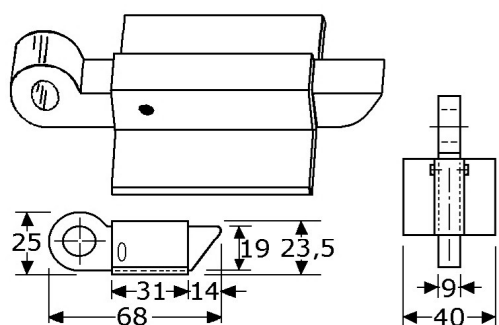


576223



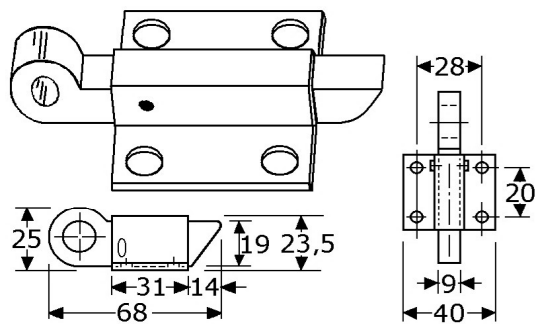
transom latch
 stainless steel 304/A2 unpolished
 with latch bolt stainless steel 304/A2 9x19mm
 with stainless steel spring (cannot be blocked)
 extension 14mm, bolt contra mounted
 with massive stainless steel eye (inside \varnothing 13mm)
 groundplate 40x31mm, without screwholes
 house high 23,5mm, total high 25mm
 without loop, without striking plate
 in boxes of 10 Pcs.

576225



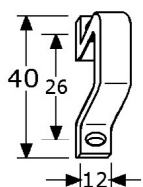
transom latch
 stainless steel 304/A2 unpolished
 with latch bolt stainless steel 304/A2 9x19mm
 with stainless steel spring (cannot be blocked)
 extension 14mm
 with massive stainless steel eye (inside \varnothing 13mm)
 groundplate 40x31mm, without screwholes
 house high 23,5mm, total high 25mm
 without loop, without striking plate
 in boxes of 10 Pcs.

576226



transom latch
 stainless steel 304/A2 unpolished
 with latch bolt stainless steel 304/A2 9x19mm
 with stainless steel spring (cannot be blocked)
 extension 14mm
 with massive stainless steel eye (inside \varnothing 13mm)
 groundplate 40x31mm, with 4 screwholes \varnothing 4mm
 house high 23,5mm, total high 25mm
 without loop, without striking plate
 in boxes of 10 Pcs.

576228



loop 40x12x1mm
 stainless steel 304/A2 unpolished
 inside high 24mm
 with 2 countersunk screwholes (4mm/M4)

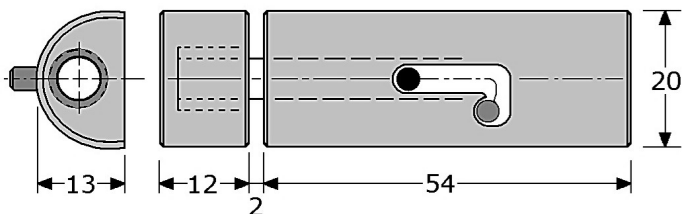


PIMEX B.V.
 Coenecoop 131
 2741 PJ WADDINXVEEN (NL)
 Tel. (31) 182 - 61 11 66
 Email: info@pimex.nl



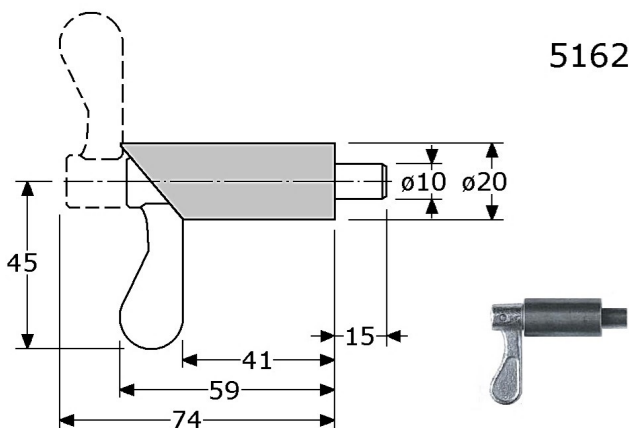
516253

spring slide latch 54x20mm
 stainless steel 304/A2 satin polished
 with stainless steel bolt \varnothing 6mm
 with stainless steel spring
 (can be blocked in open position)
 *** very exclusive design, specially for glass ***
 extension 12mm (to 1 side)
 profil high 13mm, without screwholes
 special for UV bonding
 with nice stainless steel loop (inside nylon)
 in boxes of 1 Pcs.



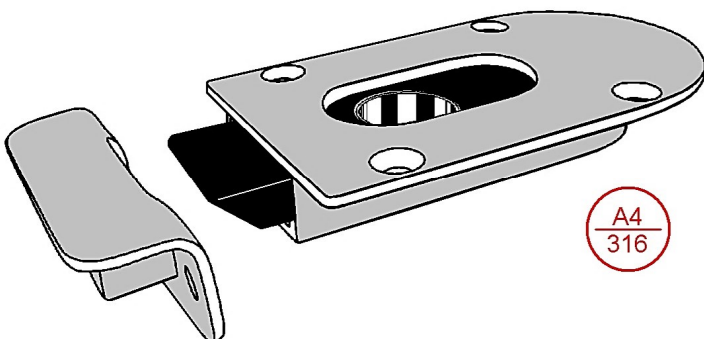
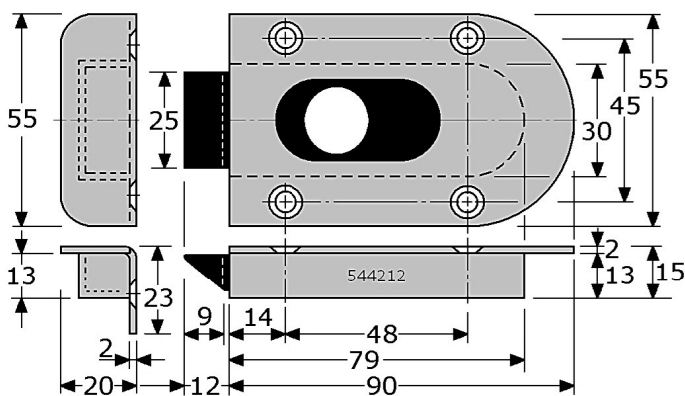
516280

spring slide latch \varnothing 20mm
 stainless steel 304/A2/1.4305 unpolished
 with stainless steel bolt \varnothing 10mm
 with stainless steel spring
 (can be blocked by turning the bolt 180°)
 extension 15mm, for welding
 with stainless steel house \varnothing 20x57mm
 in boxes of 10 Pcs.



544212

spring slide latch 90x55mm
 stainless steel 316/A4 mirror polished
 black nylon bolt 25x9mm with stainless steel spring
 *** very handy, for doors of minimum 12mm ***
 extension 9mm (to 1 side)
 can be opened by finger from both sides
 (no parts that stick out)
 for use for door thickness of minimum 12mm
 with 4 countersunk screwholes (4mm/M4)
 with simple cut out for installation 79x30x12mm
 with angular stainless steel 316/A4 striking plate
 in boxes of 10 Pcs.



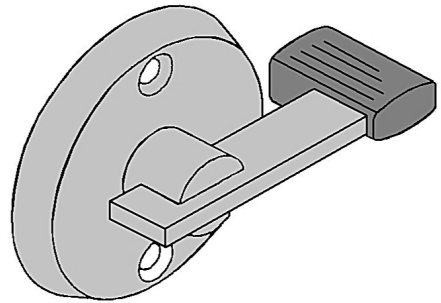
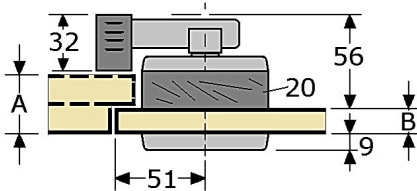
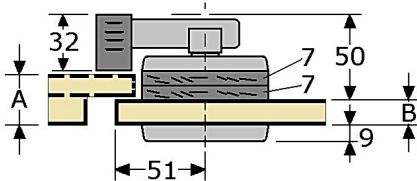
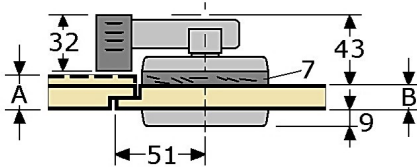
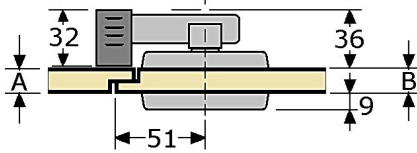
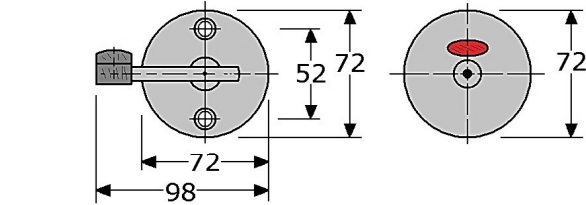
PIMEX B.V.
 Coenecoop 131
 2741 PJ WADDINXVEEN (NL)
 Tel. (31) 182 - 61 11 66
 Email: info@pimex.nl

LATCHES WITH INDICATOR, stainless steel



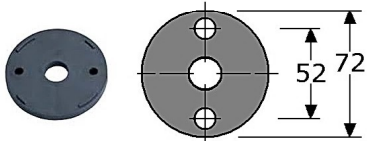
518211

panel door latches with indicator
 stainless steel 304/A2 satin polished
 for 12-20mm TRESPA plate
 with roses stainless steel $\varnothing 72 \times 9 \text{mm}$
 * front: with red/blue indicator + emergency release
 with fixed short stainless steel square #6x6x25mm
 unvisable mounting, hole minimum $\varnothing 17 \text{mm}$
 * back: with 2 countersunk holes c.t.c. 52mm (M5)
 with handle stainless steel + black rubber
 max. 100°/180° turn of handle, no striking plate
 standard for flat mounting
 (or flush overlaid doors, see scheme down under)
 (7mm black underrose 518227 to order separately)
 door mounting: for outward door, left & right
 wall mounting: for inward door, left & right
 in boxes of 1 Pcs.



518213

panel door latches with indicator
 stainless steel 304/A2 satin polished
 for 12-35mm TRESPA plate
 with roses stainless steel $\varnothing 72 \times 9 \text{mm}$
 * front: with red/blue indicator + emergency release
 with fixed stainless steel square #6x6x45mm
 unvisable mounting, hole minimum $\varnothing 17 \text{mm}$
 * back: with 2 countersunk holes c.t.c. 52mm (M5)
 with handle stainless steel + black rubber
 max. 100°/180° turn of handle, no striking plate
 standard for flat mounting till 35mm door thickness
 or overlaid doors (see scheme down under)
 standard with black underrose h=20mm
 (7mm black underrose 518227 to order separately)
 door mounting: for outward door, left & right
 wall mounting: for inward door, left & right
 in boxes of 1 Pcs.



518218

loose square spindle #6x6x42mm
 stainless steel 316/A4
 without holes

518227

underrose $\varnothing 72 \times 7 \text{mm}$
 black plastic, h=7mm, can be stapled
 with 2 holes $\varnothing 8,5 \text{mm}$ c.t.c. 52mm
 for latches 518211/518213/518215

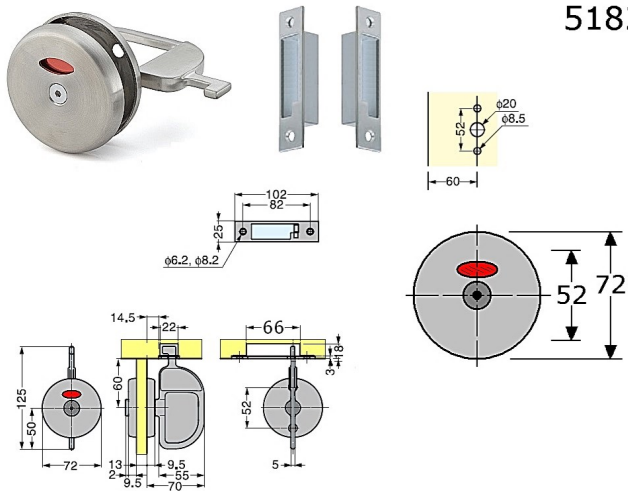
latches	door (B)	wall (A)
518211 (w/o plate)	12-20mm	12-20mm (A=B)
518211 + 1x plate 7mm	5-13mm	12-20mm (A=B+7)
518213 (w/o plate)	12-35mm	12-35mm (A=B)
518213 + 1x plate 7mm	5-28mm	12-35mm (A=B+7)
518213 + 2x plate 7mm	5-21mm	19-35mm (A=B+14)
518213 + 1x plate 20mm	3-15mm	23-35mm (A=B+20)

for stainless steel hinges
 for TRESPA/lavatory plate,
 see page GY-336a, etc. (group 3)



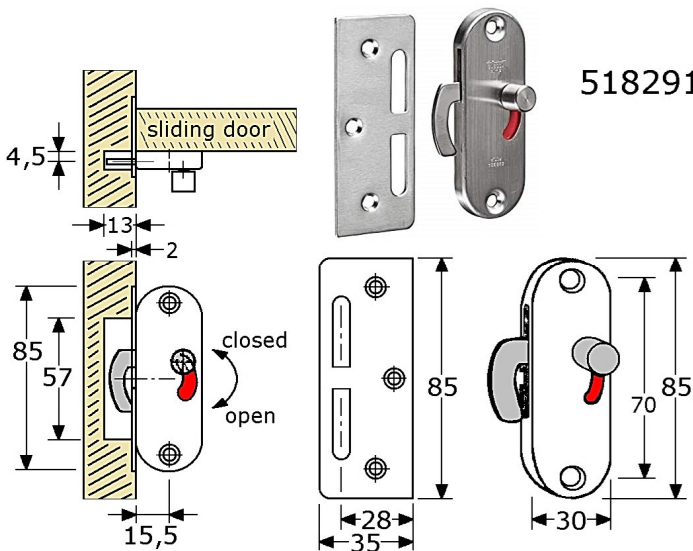
PIMEX B.V.
 Coenecoop 131
 2741 PJ WADDINXVEEN (NL)
 Tel. (31) 182 - 61 11 66
 Email: info@pimex.nl





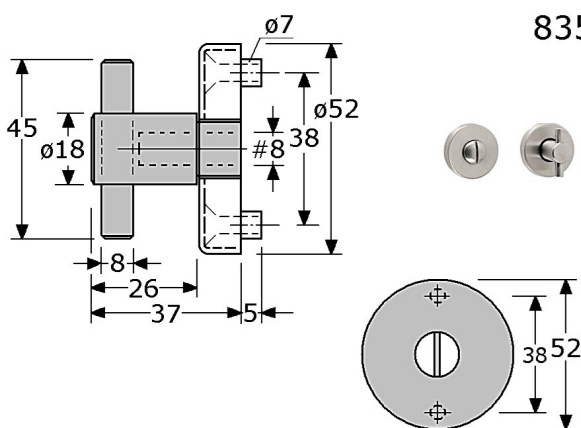
518215

panel door latches with indicator
 stainless steel 304/A2 satin polished
 for sliding door, for 12-20mm TRESPA plate
 with roses stainless steel $\varnothing 72 \times 9$ mm
 * front: with red/blue indicator + emergency release
 with fixed short stainless steel square #6x6mm
 unvisable mounting, hole minimum $\varnothing 17$ mm
 * back: with 2 countersunk holes c.t.c. 52mm (M5)
 with big full stainless steel turn handle
 end of the handle turns into striking plate
 * with flat striking plate stainless steel 102x25mm
 with aluminium box behind the striking plate
 striking plate changable for left and right use
 (7mm black underrose 518227 to order separately)
 in boxes of 1 Pcs.



518291

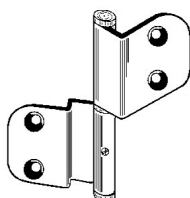
panel door latches with indicator
 stainless steel 304/A2 satin polished
 with red/blue indicator and knob all in the front
 knob stainless steel 304/A2 $\varnothing 11$ mm
 with small stainless steel hook bolt out of 2mm
 house 30x85x7,4mm, extension 13mm
 for small sliding doors and also for small (turn) doors
 as showed = for right doors
 (left door: knob is down and hook bolt turns down)
 with 2 countersunk screwholes (4mm/M4)
 with flat stainless steel striking plate 35x85x2mm
 in boxes of 1 Pcs. (with stainless steel screws)



835202

panel door latches with indicator
 stainless steel 304/A2 satin polished
 * front: rose stainless steel 304/A2 $\varnothing 52 \times 11$ mm
 with stainless steel indicator (no color)
 indicator with fixed steel square #8x8x45mm
 * back: rose stainless steel 304/A2 $\varnothing 52 \times 11$ mm
 with stainless steel "T"-knob $\varnothing 18$ mm, width 45mm
 total highness knob 37mm
 mounting by hexagon socket screw
 unvisable mounting with nylon underroses $\varnothing 52$ mm
 with 2x lugs $\varnothing 7$ mm on distance 38mm
 with 2 countersunk screwholes c.t.c. 38mm (4mm)
 and with countersunk screwholes (3mm)
 for maximum 38mm door thickness, no left/right
 in boxes of 6 Pcs.

for stainless steel hinges
 for TRESPA/lavatory plate,
 see page GY-336a, etc. (group 3)



PIMEX B.V.
 Coenecoop 131
 2741 PJ WADDINXVEEN (NL)
 Tel. (31) 182 - 61 11 66
 Email: info@pimex.nl